

HEP HEPT



HEP: Wall-mounted axial fans with IP65 motors

HEPT: Tubular axial fans with IP65 motors



HEP



HEPT

Wall-mounted axial (HEP) and tubular (HEPT) fans with reinforced plastic impeller made of fibreglass.

Fan:

- Airflow direction from motor to impeller.
- Fibreglass-reinforced polyamide-6 impeller.
- HEP: Sheet steel support frame.
- HEP: Anti-contact protective grille pursuant to standard UNE-EN ISO 12499.
- HEPT: Sheet steel tubular casing.
- HEPT: External junction box, IP65 protection.

Motor:

- Class F motors with ball bearings and IP65 protection.
- Single-phase 220-240V -50Hz, and three-phase 240V/380-415V-50Hz.
- Operating temperature: -25°C +60°C, 4-6-8-pole motors and -25°C +45°C, 2-pole motors.

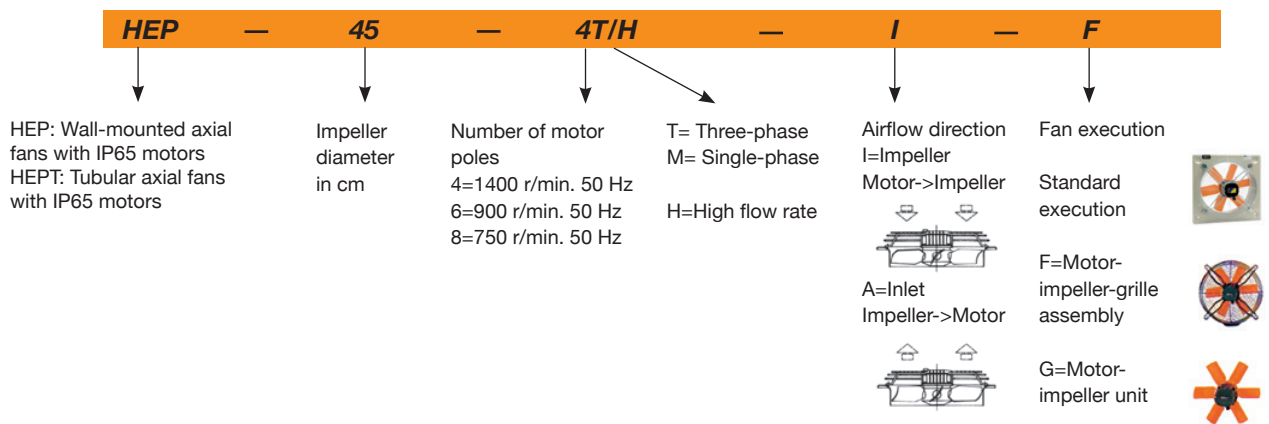
Finish:

- Anti-corrosive finish of polyester resin polymerised at 190°C, previously degreased with phosphate-free nanotechnological treatment.

On request:

- Motor, impeller and grille assembly (version F).
- Impeller motor unit (version G).
- Airflow direction from impeller to motor.
- Special windings for different voltages.

Order code



Technical characteristics

| Model | Speed (r/min) | Maximum admissible current (A) | | Power absorb. free discharge (W) | Maximum flow rate (m³/h) | Noise level dB(A) | Approx. weight (kg) | | According to ErP |
|--------------------------|---------------|--------------------------------|----------|----------------------------------|--------------------------|-------------------|---------------------|------|------------------|
| | | 220-240V | 380-415V | | | | HEP | HEPT | |
| HEP-25-2T/H - | 2780 | 1.30 | 0.75 | 265 | 2300 | 64 | 5.3 | - | 2015 |
| HEP-25-2M/H - | 2750 | 1.95 | - | 345 | 2300 | 64 | 5.3 | - | 2015 |
| HEP-25-4T/H - | 1450 | 0.69 | 0.40 | 85 | 1250 | 52 | 4.5 | - | Excluded |
| HEP-25-4M/H - | 1440 | 0.65 | - | 95 | 1250 | 52 | 4.5 | - | Excluded |
| HEP-31-2T/H HEPT-31-2T/H | 2640 | 1.54 | 0.89 | 400 | 4000 | 74 | 7.0 | 7.4 | 2015 |
| HEP-31-2M/H HEPT-31-2M/H | 2640 | 2.30 | - | 410 | 4000 | 74 | 7.0 | 7.4 | 2015 |
| HEP-31-4T/H HEPT-31-4T/H | 1410 | 0.69 | 0.40 | 115 | 2400 | 55 | 5.7 | 6.2 | Excluded |
| HEP-31-4M/H HEPT-31-4M/H | 1410 | 0.75 | - | 130 | 2400 | 55 | 5.7 | 6.2 | Excluded |
| HEP-35-2T/H HEPT-35-2T/H | 2790 | 2.16 | 1.25 | 550 | 6020 | 76 | 8.8 | 9.4 | 2015 |
| HEP-35-2M/H HEPT-35-2M/H | 2675 | 2.80 | - | 560 | 6020 | 76 | 8.8 | 9.4 | 2015 |
| HEP-35-4T/H HEPT-35-4T/H | 1340 | 0.74 | 0.43 | 155 | 3500 | 58 | 7.1 | 7.6 | 2015 |

Technical characteristics

| Model | Speed (r/min) | Maximum admissible current (A) | | Power absorb. free discharge (W) | Maximum flow rate (m³/h) | Noise level dB(A) | Approx. weight (kg) | | According to ErP | |
|-------------|------------------|--------------------------------|----------|----------------------------------|--------------------------|-------------------|---------------------|------|------------------|----------|
| | | 220-240V | 380-415V | | | | HEP | HEPT | | |
| HEP-35-4M/H | HEPT-35-4M/H | 1340 | 0.98 | - | 160 | 3500 | 58 | 7.1 | 7.6 | 2015 |
| HEP-40-4T/H | HEPT-40-4T/H | 1420 | 2.10 | 1.20 | 245 | 5200 | 61 | 10.6 | 13.5 | 2015 |
| HEP-40-4M/H | HEPT-40-4M/H | 1400 | 1.85 | - | 355 | 5200 | 61 | 10.6 | 13.5 | 2015 |
| HEP-40-6T/H | HEPT-40-6T/H | 960 | 1.12 | 0.65 | 155 | 3500 | 54 | 10.2 | 13.5 | Excluded |
| HEP-40-6M/H | HEPT-40-6M/H | 960 | 1.06 | - | 185 | 3500 | 54 | 10.2 | 13.5 | Excluded |
| HEP-45-4T/H | HEPT-45-4T/H | 1400 | 2.11 | 1.22 | 475 | 7300 | 66 | 12.5 | 15.5 | 2015 |
| HEP-45-4M/H | HEPT-45-4M/H | 1400 | 2.35 | - | 490 | 7300 | 66 | 12.5 | 15.5 | 2015 |
| HEP-45-6T/H | HEPT-45-6T/H | 955 | 1.42 | 0.82 | 215 | 4900 | 56 | 11.4 | 15.5 | 2015 |
| HEP-45-6M/H | HEPT-45-6M/H | 955 | 1.40 | - | 225 | 4900 | 56 | 11.4 | 15.5 | Excluded |
| HEP-50-4T/H | HEPT-50-4T/H | 1420 | 3.10 | 1.80 | 740 | 10150 | 69 | 15.0 | 18.0 | 2015 |
| HEP-50-4M/H | HEPT-50-4M/H | 1380 | 3.35 | - | 710 | 10150 | 69 | 15.0 | 18.0 | 2015 |
| HEP-50-6T/H | HEPT-50-6T/H | 950 | 1.38 | 0.80 | 205 | 6150 | 59 | 13.2 | 18.0 | 2015 |
| HEP-50-6M/H | HEPT-50-6M/H | 950 | 1.38 | - | 215 | 6150 | 59 | 13.2 | 18.0 | 2015 |
| HEP-56-4T/H | HEPT-56-4T/H | 1350 | 3.63 | 2.10 | 870 | 12800 | 72 | 21.0 | 28.0 | 2015 |
| HEP-56-4M/H | HEPT-56-4M/H | 1350 | 5.26 | - | 895 | 12800 | 72 | 21.0 | 28.0 | 2015 |
| HEP-56-6T/H | HEPT-56-6T/H | 915 | 1.73 | 1.00 | 325 | 8250 | 62 | 17.0 | 28.0 | 2015 |
| HEP-56-6M/H | HEPT-56-6M/H | 915 | 2.12 | - | 450 | 8250 | 62 | 17.0 | 28.0 | 2015 |
| HEP-63-4T/H | HEPT-63-4T/H | 1415 | 6.92 | 4.00 | 1400 | 18700 | 82 | 25.8 | 33.5 | 2015 |
| HEP-63-6T/H | HEPT-63-6T/H | 905 | 2.06 | 1.19 | 405 | 12050 | 65 | 20.2 | 33.5 | 2015 |
| HEP-63-6M/H | HEPT-63-6M/H | 905 | 2.70 | - | 540 | 12050 | 65 | 20.2 | 33.5 | 2015 |



Erp. (Energy Related Products)

Information on Directive 2009/125/EC can be downloaded from the SODECA website or the QuickFan selector programme.

Acoustic characteristics

The indicated values are determined by measuring the pressure and sound power levels in dB(A) obtained in a free field at a distance equivalent to twice the size of the fan plus the impeller diameter, with a minimum of 1.5 m.

Noise power spectrum Lw(A) in dB(A) frequency band in [Hz]

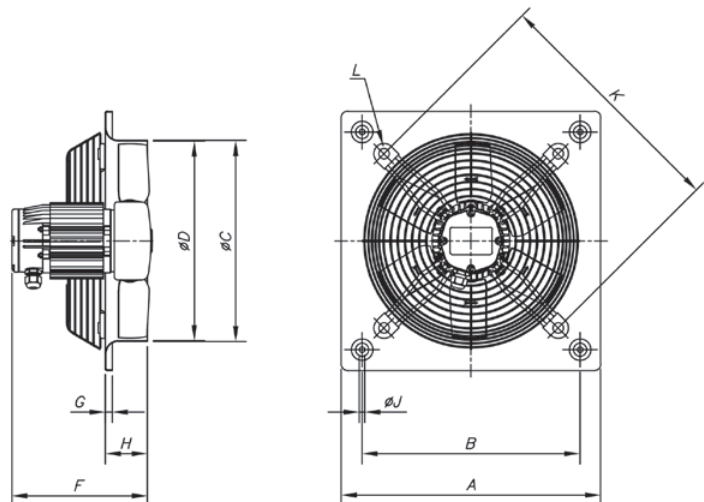
| Model | 63 | 125 | 250 | 500 | 1000 | 2000 | 4000 | 8000 | Model | 63 | 125 | 250 | 500 | 1000 | 2000 | 4000 | 8000 |
|--------|----|-----|-----|-----|------|------|------|------|--------|----|-----|-----|-----|------|------|------|------|
| 25-2/H | 39 | 52 | 64 | 68 | 70 | 70 | 66 | 58 | 45-4/H | 43 | 57 | 69 | 72 | 74 | 75 | 71 | 62 |
| 25-4/H | 27 | 40 | 52 | 56 | 58 | 58 | 54 | 46 | 45-6/H | 33 | 47 | 59 | 62 | 64 | 65 | 61 | 52 |
| 31-2/H | 49 | 62 | 74 | 78 | 80 | 80 | 76 | 68 | 50-4/H | 46 | 60 | 72 | 75 | 77 | 78 | 74 | 65 |
| 31-4/H | 30 | 43 | 55 | 59 | 61 | 61 | 57 | 49 | 50-6/H | 36 | 50 | 62 | 65 | 67 | 68 | 64 | 55 |
| 35-2/H | 51 | 64 | 76 | 80 | 82 | 82 | 78 | 70 | 56-4/H | 49 | 63 | 75 | 78 | 80 | 81 | 77 | 68 |
| 35-4/H | 33 | 46 | 58 | 62 | 64 | 64 | 60 | 52 | 56-6/H | 39 | 53 | 65 | 68 | 70 | 71 | 67 | 58 |
| 40-4/H | 36 | 49 | 61 | 65 | 67 | 67 | 63 | 55 | 63-4/H | 61 | 75 | 87 | 90 | 92 | 92 | 89 | 80 |
| 40-6/H | 29 | 42 | 54 | 58 | 60 | 60 | 56 | 48 | 63-6/H | 44 | 58 | 70 | 73 | 75 | 75 | 72 | 63 |

Dimensions mm

HEP

| Model | A | B | ØC | ØD | 2T | F | |
|-------------|-----|-----|-------|-----|-----|-----|-----|
| | | | | | | 4T | 6T |
| HEP-25 | 330 | 275 | 262 | 260 | 233 | 233 | - |
| HEP-31.../H | 400 | 336 | 310.5 | 308 | 229 | 229 | - |
| HEP-35.../H | 465 | 390 | 362.5 | 360 | 236 | 236 | - |
| HEP-40.../H | 532 | 452 | 412.5 | 410 | - | 273 | 305 |
| HEP-45.../H | 596 | 504 | 462.5 | 460 | - | 281 | 218 |
| HEP-50.../H | 665 | 562 | 516.5 | 514 | - | 302 | 254 |
| HEP-56.../H | 710 | 630 | 563 | 560 | - | 333 | 266 |
| HEP-63.../H | 800 | 710 | 638 | 635 | - | 340 | 276 |

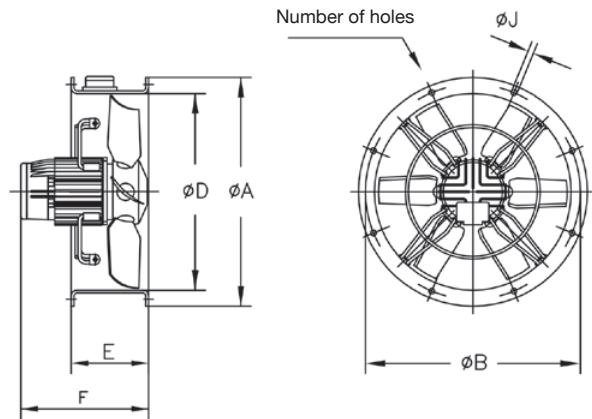
| Model | G | H | ØJ | K | L |
|-------------|------|------|------|-----|----|
| HEP-25 | 11 | 56 | 8.5 | 310 | M8 |
| HEP-31.../H | 11 | 65 | 8.5 | 380 | M8 |
| HEP-35.../H | 11 | 76 | 10.5 | 450 | M8 |
| HEP-40.../H | 11 | 97.5 | 10.5 | 500 | M8 |
| HEP-45.../H | 11 | 105 | 10.5 | 560 | M8 |
| HEP-50.../H | 11 | 115 | 10.5 | 640 | M8 |
| HEP-56.../H | 15 | 115 | 10.5 | 721 | M8 |
| HEP-63.../H | 16.5 | 140 | 10.5 | 820 | M8 |



AXIAL FANS AND ROOF-MOUNTED EXTRACT FANS

Dimensions mm

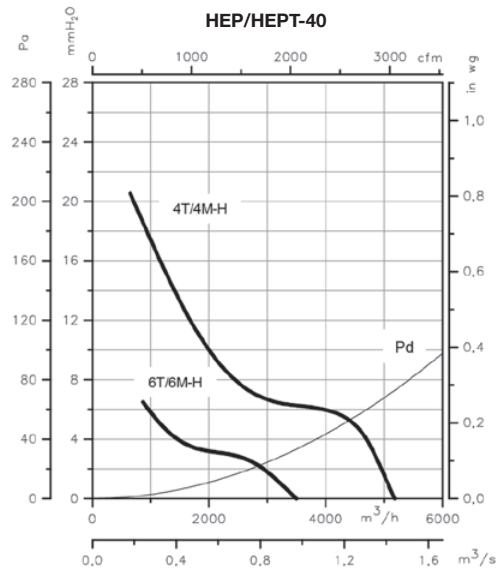
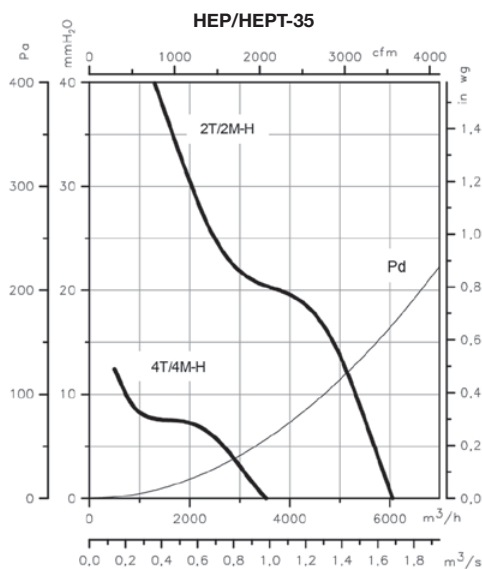
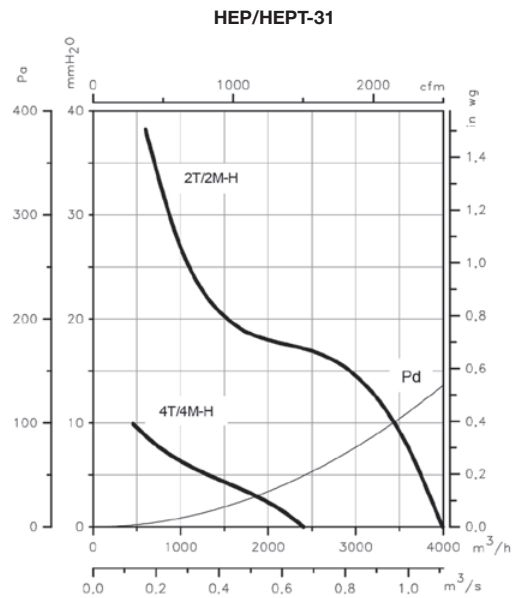
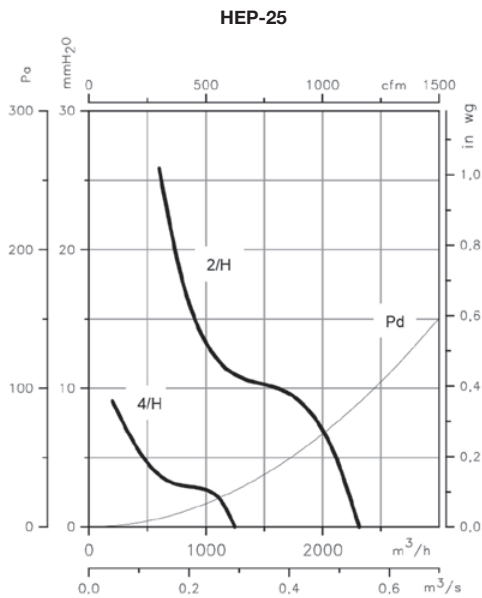
| HEPT | | | | | | | |
|------------|----------|----------|----------|-------|-----|----------|-----------------|
| Model | ϕA | ϕB | ϕD | F | E | ϕJ | Number of holes |
| HEPT-31-2T | 385 | 355 | 308 | 235.5 | 200 | 10 | 8 |
| HEPT-31-2M | 385 | 355 | 308 | 244.5 | 200 | 10 | 8 |
| HEPT-31-4 | 385 | 355 | 308 | 225.5 | 200 | 10 | 8 |
| HEPT-35-2 | 425 | 395 | 360 | 246.5 | 220 | 10 | 8 |
| HEPT-35-4 | 425 | 395 | 360 | 227.5 | 220 | 10 | 8 |
| HEPT-40 | 490 | 450 | 410 | 233.5 | 220 | 12 | 8 |
| HEPT-45 | 540 | 500 | 460 | 233.5 | 220 | 12 | 8 |
| HEPT-50-4 | 600 | 560 | 514 | 248 | 230 | 12 | 12 |
| HEPT-50-6 | 600 | 560 | 514 | 230 | 230 | 12 | 12 |
| HEPT-56 | 660 | 620 | 560 | 278 | 260 | 12 | 12 |
| HEPT-63 | 730 | 690 | 635 | 350 | 350 | 12 | 12 |



Characteristic curves

Q= Flow rate in m³/h, m³/s and cfm.

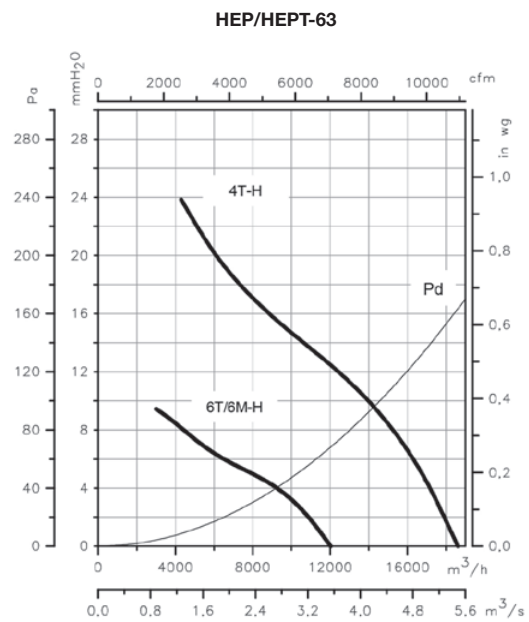
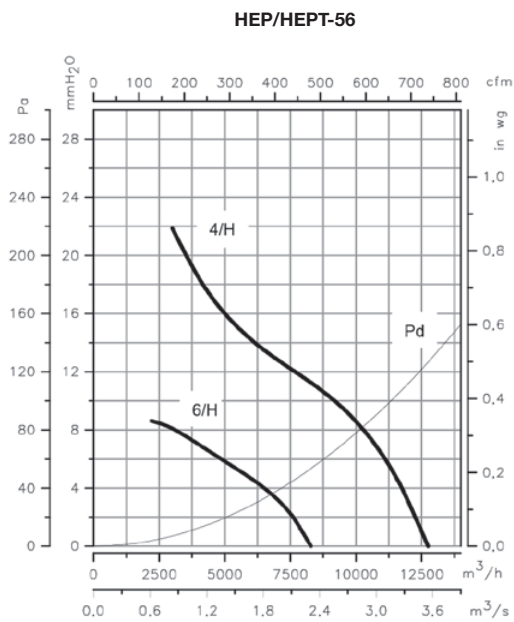
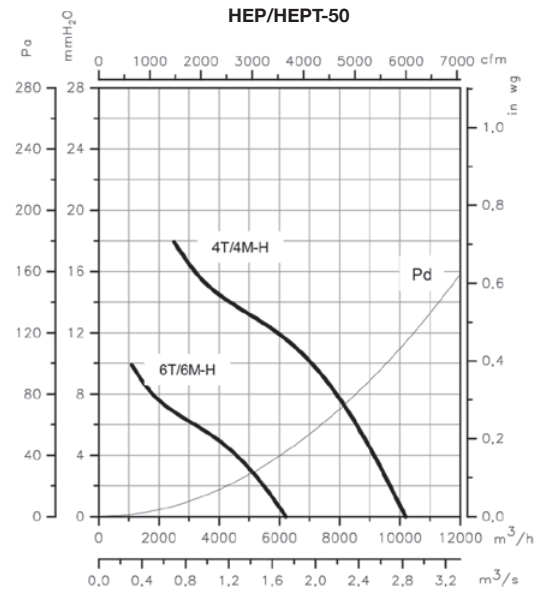
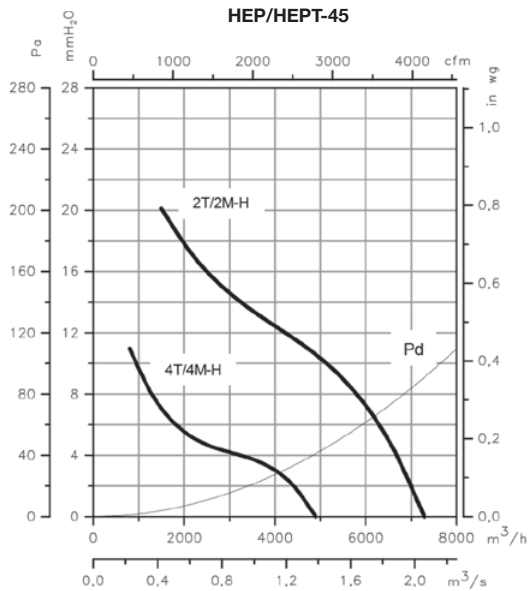
Pe= Static pressure in mm H₂O, Pa and inwg.



Characteristic curves

Q= Flow rate in m³/h, m³/s and cfm.

Pe= Static pressure in mm H₂O, Pa and inwg.



Accessories

See accessories section.

