

WALL/FREE



Dynamic wall-mounted extract fans fitted with hatches with motorised opening function

Dynamic wall-mounted extract fans with motorised opening function and protective guard for use without an extract duct. Suitable for installation in industrial buildings, stores or in any other type of building.

Fan:

- Wall-mounting with flanged spigot for ease of installation.
- Galvanised sheet steel support frame.
- Variable angle impellers made of cast aluminium.
- Airflow direction from motor to impeller.
- Touch protection grille pursuant to standard UNE-EN ISO 12499.

Extruded aluminium hatch:

- Extremely robust structure that is capable of withstanding severe weather conditions.
- Water-tight design to prevent the entry of water.
- Aluminium profile with thermal bridge break.
- Central panel and structure with high performance thermal insulation.
- Thermal resistance of the assembly < 0.89 W/m²·K.
- Limit switches for both positions (open and closed).
- Can be installed with optional top and bottom openings.
- Manual opening system.

Motor:

- Class F motors with ball bearings, IP55 protection, except single-phase models from size 45 to size 56, IP54 protection. 1 or 2 speeds, depending on model.
- IE3 efficiency motors.
- Three-phase 230/400 V-50 Hz (up to 3 kW) and 400/690 V-50 Hz (powers higher than 3 kW).
- Temperature of the air to be carried: -25°C to +50°C.

Actuator:

- Reliability >11,000 dual cycles.
- Power supply voltage of 230 Vac-50 Hz.
- Operating temperature: -25°C +60°C.

Hatch finish:

- Anti-corrosive finish extruded aluminium.
- Standard colour RAL 7016. Any RAL colour may be selected upon request.

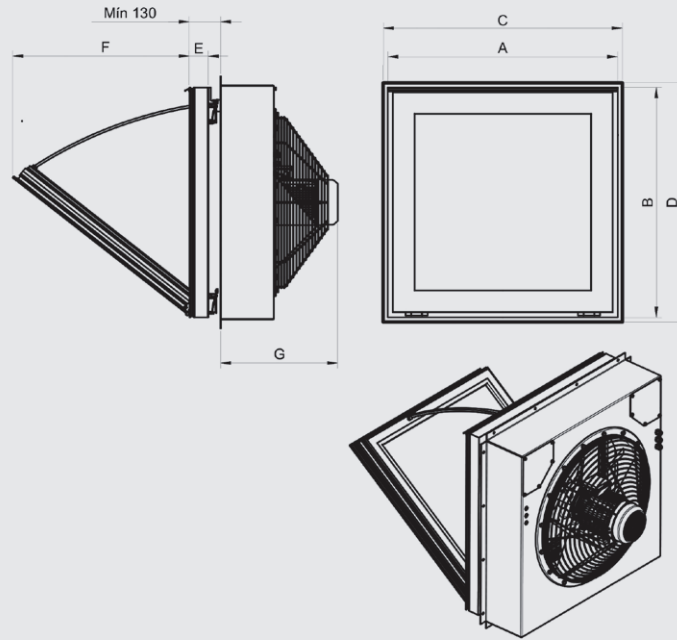
On request:

- AA: impeller-motor air direction for air supply into premises.

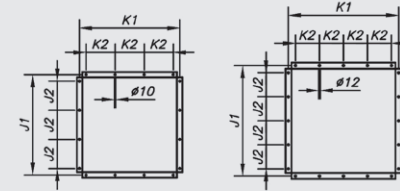
Model	Speed (r/min)	Max. admissible current (A)			Installed power (kW)	Blade tilt angle (°)	Max. flow (m ³ /h)	Sound pressure level dB(A)	Approx. weight (kg)	According ErP*
		230 V	400 V	690 V						
WALL/FREE-40-2T-1.5 IE3	2880	4.7	2.7		1.10	20	7050	73	55	2020
WALL/FREE-45-2T-2 IE3	2880	5.9	3.4		1.50	16	9405	75	63	2020
WALL/FREE-45-2T-3 IE3	2840	8.7	5.0		2.20	22	11325	77	67	2020
WALL/FREE-56-4T-2 IE3	1440	6.2	3.6		1.50	36	15020	72	69	2020
WALL/FREE-63-4T-3 IE3	1425	9.0	5.2		2.20	32	22460	73	97	2020
WALL/FREE-63-4T-4 IE3	1430	11.4	6.6		3.00	38	24460	74	103	2020
WALL/FREE-71-4T-3 IE3	1425	9.0	5.2		2.20	22	25100	81	100	2020
WALL/FREE-71-4T-4 IE3	1430	11.4	6.6		3.00	28	27500	82	106	2020
WALL/FREE-71-6T-1.5 IE3	945	5.5	3.2		1.10	34	19950	69	98	2020
WALL/FREE-80-4T-3 IE3	1425	9.0	5.2		2.20	12	25545	79	114	2020
WALL/FREE-80-4T-4 IE3	1430	11.4	6.6		3.00	16	30410	80	120	2020
WALL/FREE-80-4T-5.5 IE3	1440		8.4	4.8	4.00	18	32940	81	122	2020
WALL/FREE-80-6T-1.5 IE3	945	5.5	3.2		1.10	18	21580	69	112	2020
WALL/FREE-80-6T-2 IE3	945	7.4	4.3		1.50	26	26090	70	116	2020
WALL/FREE-90-4T-7.5 IE3	1460		12.6	7.3	5.50	18	46325	88	183	2020
WALL/FREE-90-4T-10 IE3	1460		17.7	10.2	7.50	22	50315	89	187	2020
WALL/FREE-90-6T-3 IE3	950	9.5	5.5		2.20	24	34055	75	145	2020
WALL/FREE-90-6T-4 IE3	970	13.5	7.8		3.00	30	39055	76	165	2020
WALL/FREE-100-4T-10 IE3	1460		17.7	10.2	7.50	16	57650	90	194	2020
WALL/FREE-100-4T-15 IE3	1460		22.0	12.7	11.00	22	66505	91	226	2020
WALL/FREE-100-4T-20 IE3	1460		29.0	16.7	15.00	28	76445	92	237	2020
WALL/FREE-100-6T-5.5 IE3	970		11.0	6.4	4.00	26	47955	81	178	2020

*In accordance with the ErP 2020 draft

WALL/FREE



* Wall-mounting flange



WALL/FREE 40
WALL/FREE 45
WALL/FREE 56
WALL/FREE 63
WALL/FREE 71
WALL/FREE 80

WALL/FREE 90
WALL/FREE 100

Model	A	B	C	D	E	F	G	J1	J2	K1	K2
WALL/FREE-40	640	590	650	600	82	430	375	700	200	700	200
WALL/FREE-45	640	590	650	600	82	430	400	700	200	700	200
WALL/FREE-56	690	690	700	700	82	560	415	790	220	790	220
WALL/FREE-63	990	990	1000	1000	82	760	475	1050	300	1050	300
WALL/FREE-71	990	990	1000	1000	82	760	500	1050	300	1050	300
WALL/FREE-80	990	990	1000	1000	82	760	500	1050	300	1050	300
WALL/FREE-90	1190	1190	1200	1200	82	790	525	1250	250	1250	250
WALL/FREE-100	1190	1190	1200	1200	82	790	550	1250	250	1250	250

(C x D) Nominal size of the wall opening.

