



PROJECT REPORT

**VACUMEX®**  
*The Power to move air...*

# PT Overtrykspjæld til lodret kanalføring

## PT OVERTRYKSPJÆLD TIL LODRET KANALFØRING

### PT Overtrykspjæld til lodret kanalføring

#	Ref.	Remark	Model/Tool	Code	Qty.	Speed (rpm)	Max. admissible current (A)	Power (kW) [*]	Design flowrate (m <sup>3</sup> /h)	Design pressure (Pa)	Flowrate (m <sup>3</sup> /h)	Pressure (Pa)
1			PT-160	1006936	1				-	-	-	-
2			PT-180	1006937	1				-	-	-	-
3			PT-250	1006938	1				-	-	-	-
4			PT-355	1006939	1				-	-	-	-
5			PT-500	1006940	1				-	-	-	-
6			PT-630	1006941	1				-	-	-	-
7			PT-710	1006942	1				-	-	-	-
8			PT-160-400	1006943	1				-	-	-	-
9			PT-180-400	1006944	1				-	-	-	-
10			PT-250-400	1006945	1				-	-	-	-
11			PT-355-400	1006946	1				-	-	-	-
12			PT-500-400	1006947	1				-	-	-	-
13			PT-630-400	1006948	1				-	-	-	-
14			PT-710-400	1006949	1				-	-	-	-
<b>TOTAL</b>					<b>14</b>			-				

[\*] Rated Mechanical Power except for values with \* which are Max. Electrical Power

## INDEX

---

PT-160	.....	4
PT-180	.....	5
PT-250	.....	6
PT-355	.....	7
PT-500	.....	8
PT-630	.....	9
PT-710	.....	10
PT-160-400	.....	11
PT-180-400	.....	12
PT-250-400	.....	13
PT-355-400	.....	14
PT-500-400	.....	15
PT-630-400	.....	16
PT-710-400	.....	17

## PT-160

Code: 1006936



**Automatic closing shutters to work in vertical position. Version 400 certified 400 °C/2h**

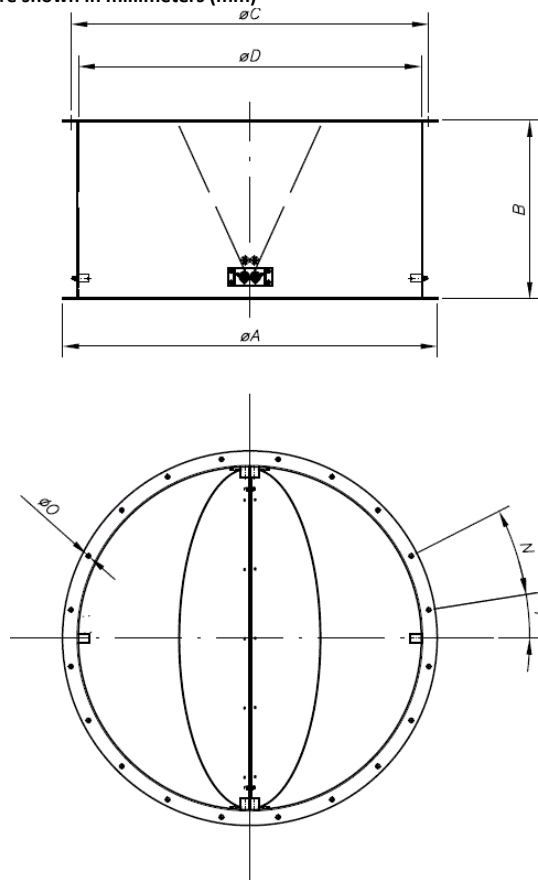
Characteristics:

- Circular self-closing shutters to be installed in the suction of roof extractors.
- Use of PA adaptor plate recommended for assembly.

### DIMENSIONS

$\varnothing A$	B	$\varnothing C$	$\varnothing D$	N	$\varnothing O$	Y
220	150	200	150	8x45°	10	-

Dimensions without explicitly defined units are shown in millimeters (mm)



## PT-180

Code: 1006937



**Automatic closing shutters to work in vertical position. Version 400 certified 400 °C/2h**

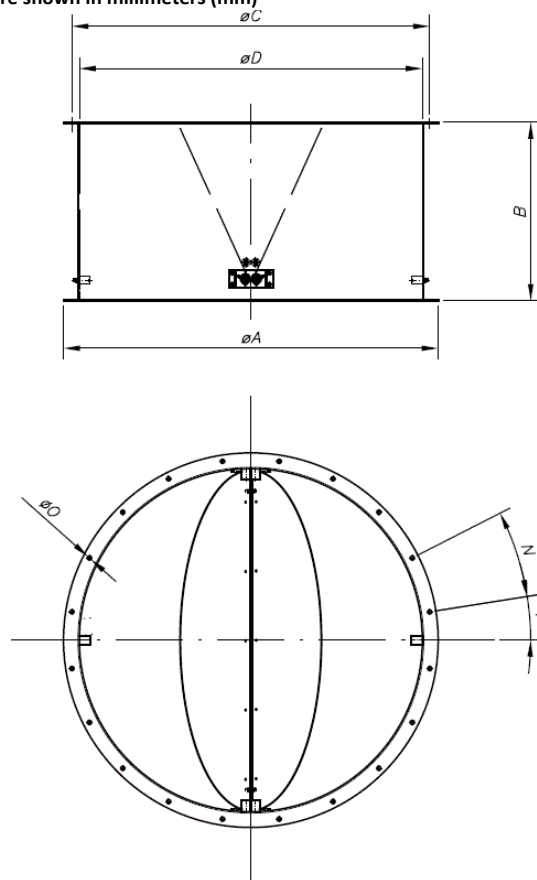
Characteristics:

- Circular self-closing shutters to be installed in the suction of roof extractors.
- Use of PA adaptor plate recommended for assembly.

### DIMENSIONS

$\varnothing A$	B	$\varnothing C$	$\varnothing D$	N	$\varnothing O$	Y
240	150	210	170	8x45°	10	-

Dimensions without explicitly defined units are shown in millimeters (mm)



## PT-250

Code: 1006938



**Automatic closing shutters to work in vertical position. Version 400 certified 400 °C/2h**

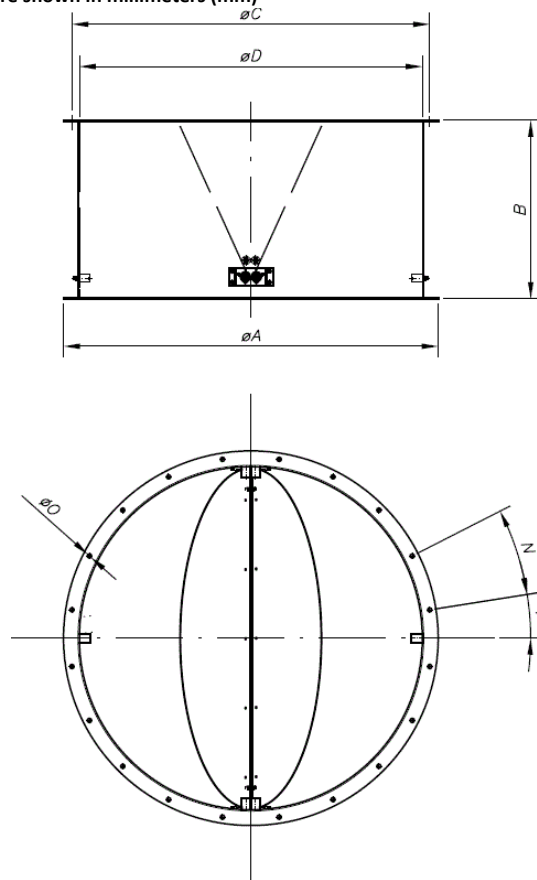
Characteristics:

- Circular self-closing shutters to be installed in the suction of roof extractors.
- Use of PA adaptor plate recommended for assembly.

### DIMENSIONS

$\varnothing A$	B	$\varnothing C$	$\varnothing D$	N	$\varnothing O$	Y
310	150	280	245	4x90°	10	45°

Dimensions without explicitly defined units are shown in millimeters (mm)



## PT-355

Code: 1006939



**Automatic closing shutters to work in vertical position. Version 400 certified 400 °C/2h**

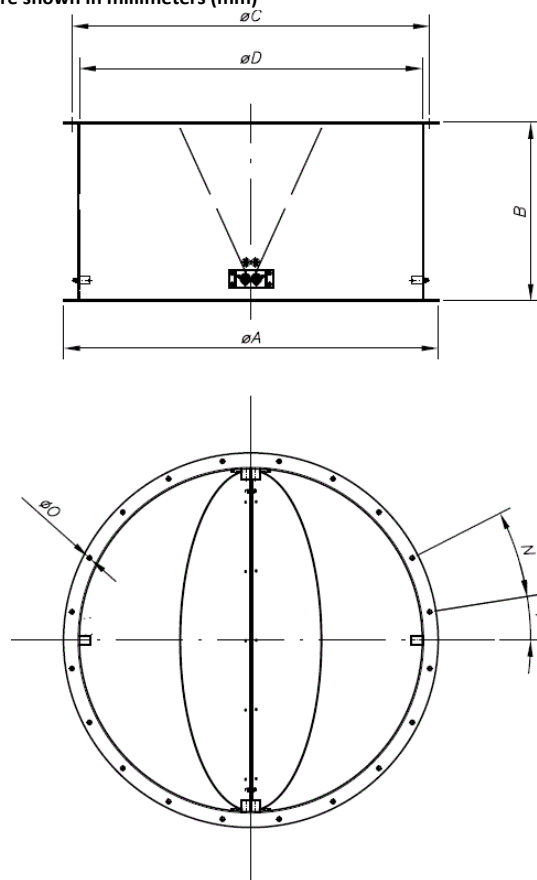
Characteristics:

- Circular self-closing shutters to be installed in the suction of roof extractors.
- Use of PA adaptor plate recommended for assembly.

## DIMENSIONS

$\varnothing A$	B	$\varnothing C$	$\varnothing D$	N	$\varnothing O$	Y
435	200	395	350	8x45°	10	22°30'

Dimensions without explicitly defined units are shown in millimeters (mm)



## PT-500

Code: 1006940



**Automatic closing shutters to work in vertical position. Version 400 certified 400 °C/2h**

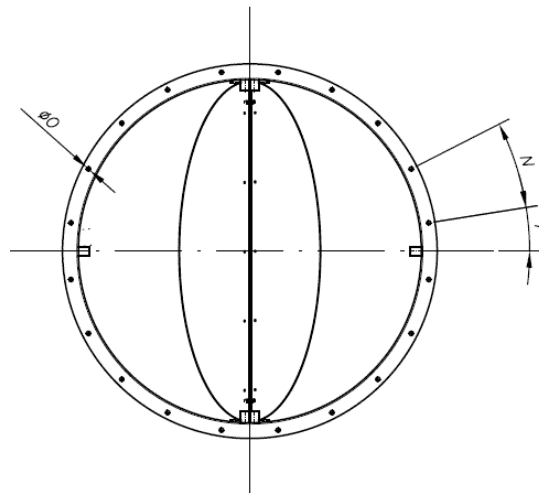
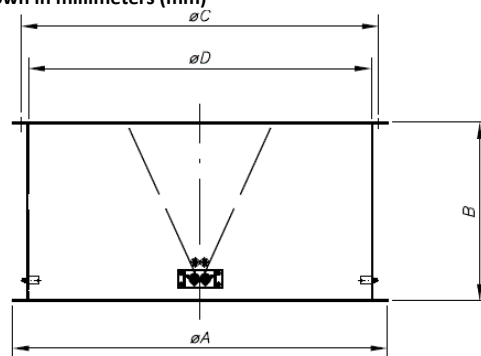
Characteristics:

- Circular self-closing shutters to be installed in the suction of roof extractors.
- Use of PA adaptor plate recommended for assembly.

## DIMENSIONS

$\varnothing A$	B	$\varnothing C$	$\varnothing D$	N	$\varnothing O$	Y
600	280	560	495	12x30°	12	15°

Dimensions without explicitly defined units are shown in millimeters (mm)





## PT-630

Code: 1006941



**Automatic closing shutters to work in vertical position. Version 400 certified 400 °C/2h**

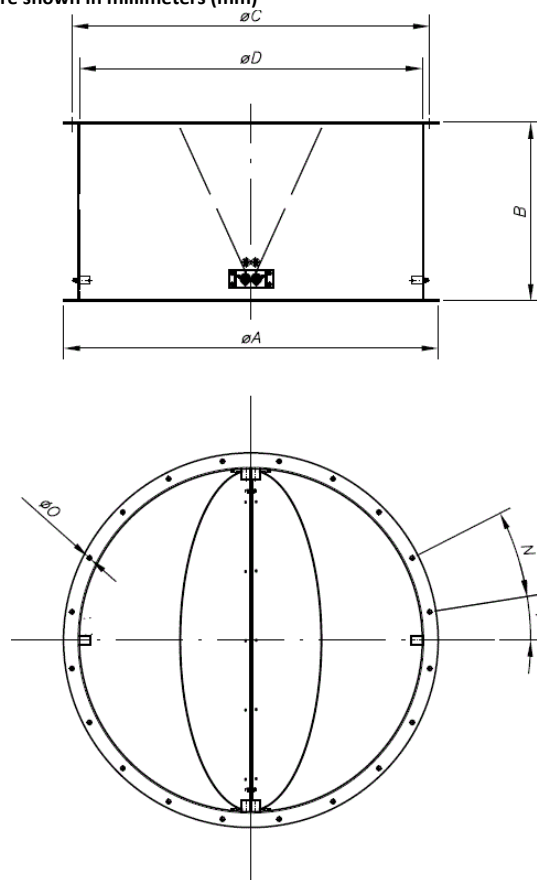
Characteristics:

- Circular self-closing shutters to be installed in the suction of roof extractors.
- Use of PA adaptor plate recommended for assembly.

## DIMENSIONS

$\varnothing A$	B	$\varnothing C$	$\varnothing D$	N	$\varnothing O$	Y
730	355	690	625	12x30°	12	15°

Dimensions without explicitly defined units are shown in millimeters (mm)



## PT-710

Code: 1006942



**Automatic closing shutters to work in vertical position. Version 400 certified 400 °C/2h**

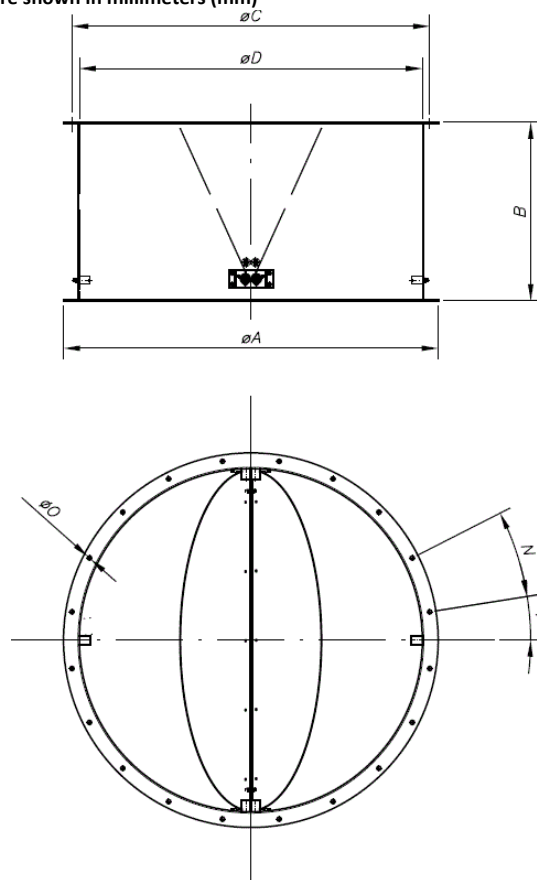
Characteristics:

- Circular self-closing shutters to be installed in the suction of roof extractors.
- Use of PA adaptor plate recommended for assembly.

## DIMENSIONS

$\varnothing A$	B	$\varnothing C$	$\varnothing D$	N	$\varnothing O$	Y
810	400	770	705	16x22°30'	12	11°15'

Dimensions without explicitly defined units are shown in millimeters (mm)



# PT-160-400

Code: 1006943



**Automatic closing shutters to work in vertical position. Version 400 certified 400 °C/2h**

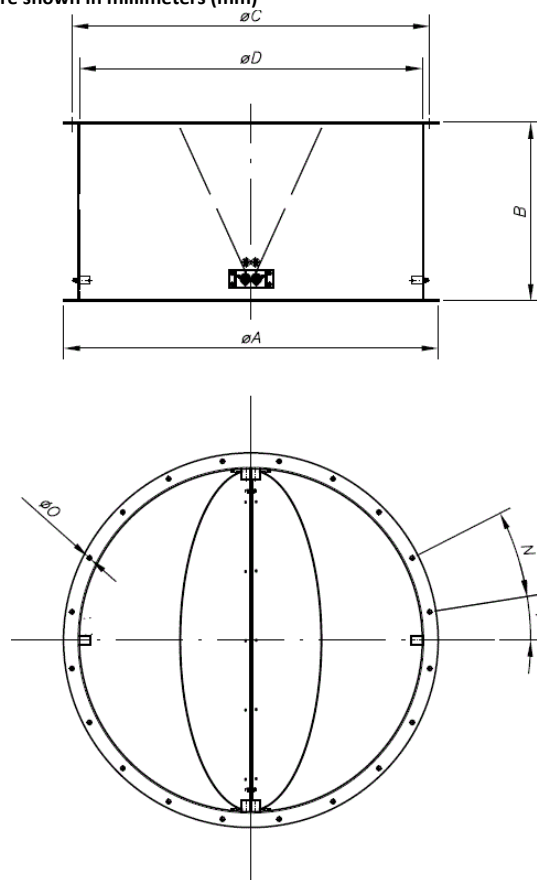
Characteristics:

- Circular self-closing shutters to be installed in the suction of roof extractors.
- Use of PA adaptor plate recommended for assembly.

## DIMENSIONS

$\varnothing A$	B	$\varnothing C$	$\varnothing D$	N	$\varnothing O$	Y
220	150	200	150	8x45°	10	-

Dimensions without explicitly defined units are shown in millimeters (mm)



# PT-180-400

Code: 1006944



**Automatic closing shutters to work in vertical position. Version 400 certified 400 °C/2h**

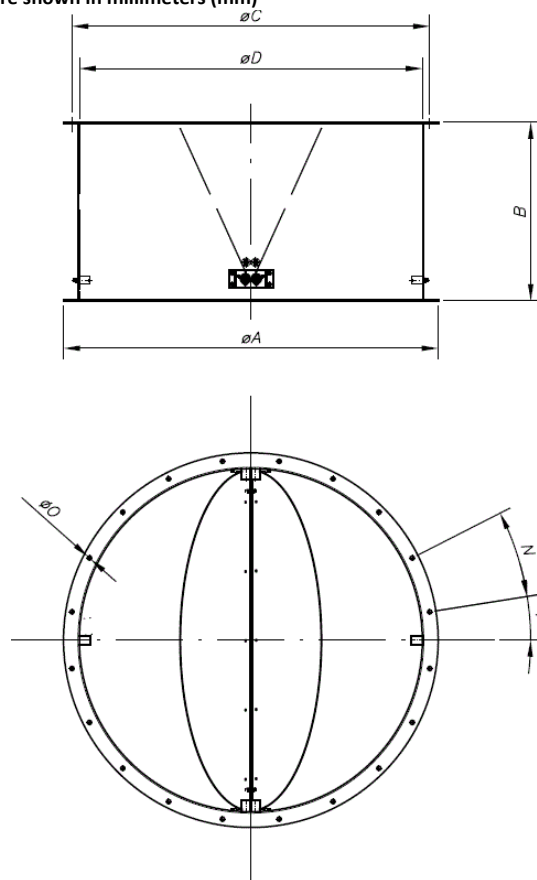
Characteristics:

- Circular self-closing shutters to be installed in the suction of roof extractors.
- Use of PA adaptor plate recommended for assembly.

## DIMENSIONS

$\varnothing A$	B	$\varnothing C$	$\varnothing D$	N	$\varnothing O$	Y
240	150	210	170	8x45°	10	-

Dimensions without explicitly defined units are shown in millimeters (mm)



# PT-250-400

Code: 1006945



**Automatic closing shutters to work in vertical position. Version 400 certified 400 °C/2h**

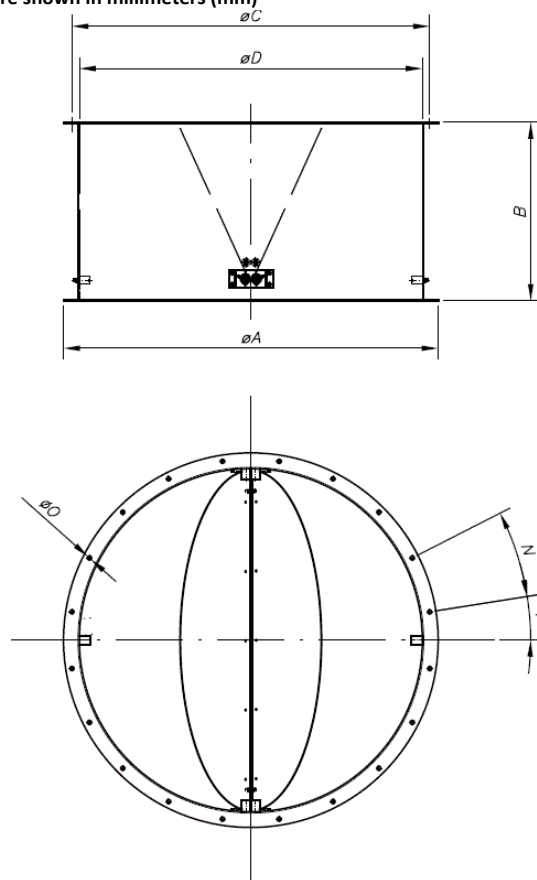
Characteristics:

- Circular self-closing shutters to be installed in the suction of roof extractors.
- Use of PA adaptor plate recommended for assembly.

## DIMENSIONS

$\varnothing A$	B	$\varnothing C$	$\varnothing D$	N	$\varnothing O$	Y
310	150	280	245	4x90°	10	45°

Dimensions without explicitly defined units are shown in millimeters (mm)



# PT-355-400

Code: 1006946



**Automatic closing shutters to work in vertical position. Version 400 certified 400 °C/2h**

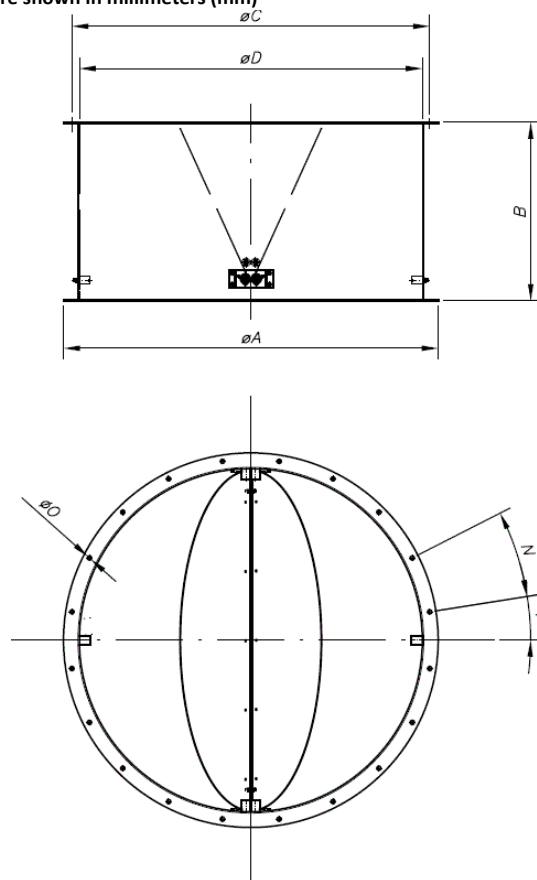
Characteristics:

- Circular self-closing shutters to be installed in the suction of roof extractors.
- Use of PA adaptor plate recommended for assembly.

## DIMENSIONS

$\varnothing A$	B	$\varnothing C$	$\varnothing D$	N	$\varnothing O$	Y
435	200	395	350	8x45°	10	22°30'

Dimensions without explicitly defined units are shown in millimeters (mm)



## PT-500-400

Code: 1006947



**Automatic closing shutters to work in vertical position. Version 400 certified 400 °C/2h**

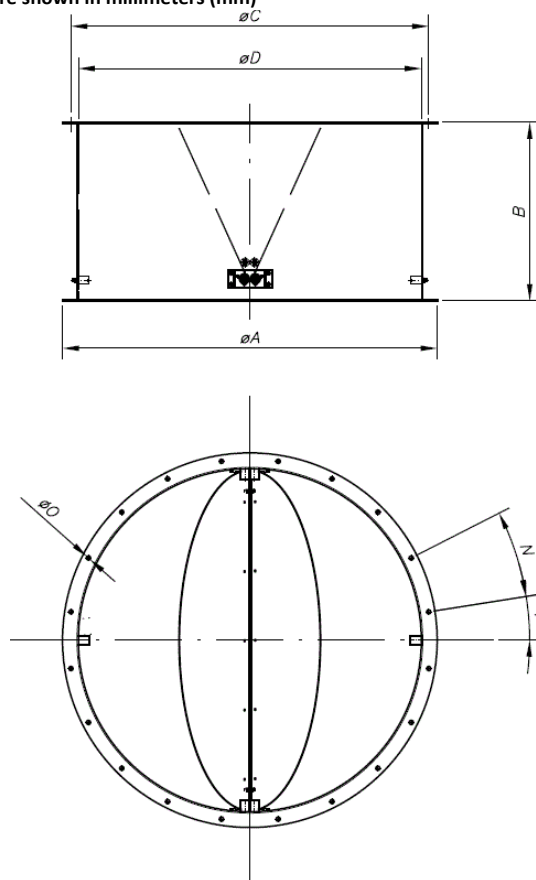
Characteristics:

- Circular self-closing shutters to be installed in the suction of roof extractors.
- Use of PA adaptor plate recommended for assembly.

### DIMENSIONS

$\varnothing A$	B	$\varnothing C$	$\varnothing D$	N	$\varnothing O$	Y
600	280	560	495	12x30°	12	15°

Dimensions without explicitly defined units are shown in millimeters (mm)



## PT-630-400

Code: 1006948



**Automatic closing shutters to work in vertical position. Version 400 certified 400 °C/2h**

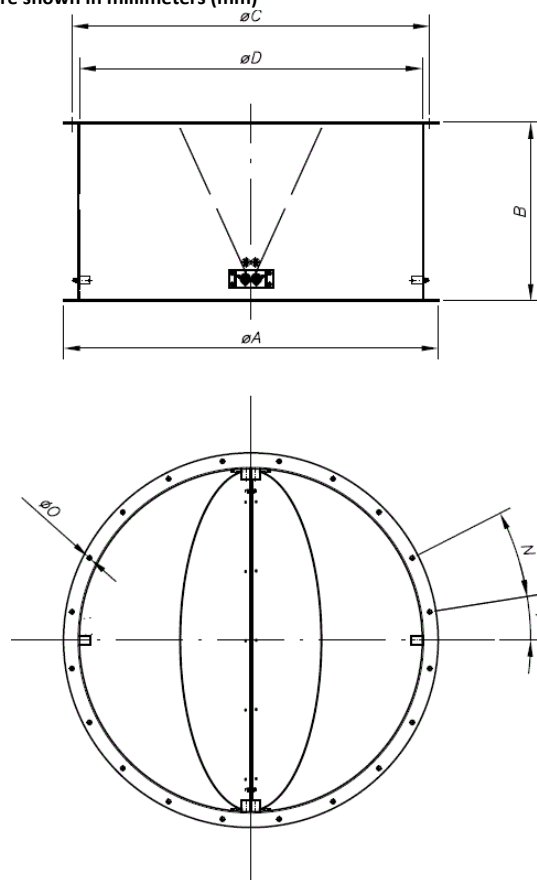
Characteristics:

- Circular self-closing shutters to be installed in the suction of roof extractors.
- Use of PA adaptor plate recommended for assembly.

### DIMENSIONS

$\varnothing A$	B	$\varnothing C$	$\varnothing D$	N	$\varnothing O$	Y
730	355	690	625	12x30°	12	15°

Dimensions without explicitly defined units are shown in millimeters (mm)





# PT-710-400

Code: 1006949



**Automatic closing shutters to work in vertical position. Version 400 certified 400 °C/2h**

Characteristics:

- Circular self-closing shutters to be installed in the suction of roof extractors.
- Use of PA adaptor plate recommended for assembly.

## DIMENSIONS

$\varnothing A$	B	$\varnothing C$	$\varnothing D$	N	$\varnothing O$	Y
810	400	770	705	16x22°30'	12	11°15'

Dimensions without explicitly defined units are shown in millimeters (mm)

