



PROJECT REPORT

VACUMEX®
The Power to move air...

p-400

P-400

p-400

#	Ref.	Remark	Model/Tool	Code	Qty.	Speed (rpm)	Max. admissible current (A)	Power (kW) [*]	Design flowrate (m ³ /h)	Design pressure (Pa)	Flowrate (m ³ /h)	Pressure (Pa)
1			P-400-56	1006588	1				-	-	-	-
2			P-400-63	1006589	1				-	-	-	-
3			P-400-80	1006590	1				-	-	-	-
4			P-400-100	1006587	1				-	-	-	-
5			P-400-125	1131327	1				-	-	-	-
6			P-400-140	1148927	1				-	-	-	-
TOTAL					6			-				

[*] Rated Mechanical Power except for values with * which are Max. Electrical Power



INDEX

P-400-56	4
P-400-63	5
P-400-80	6
P-400-100	7
P-400-125	8
P-400-140	9



P-400-56

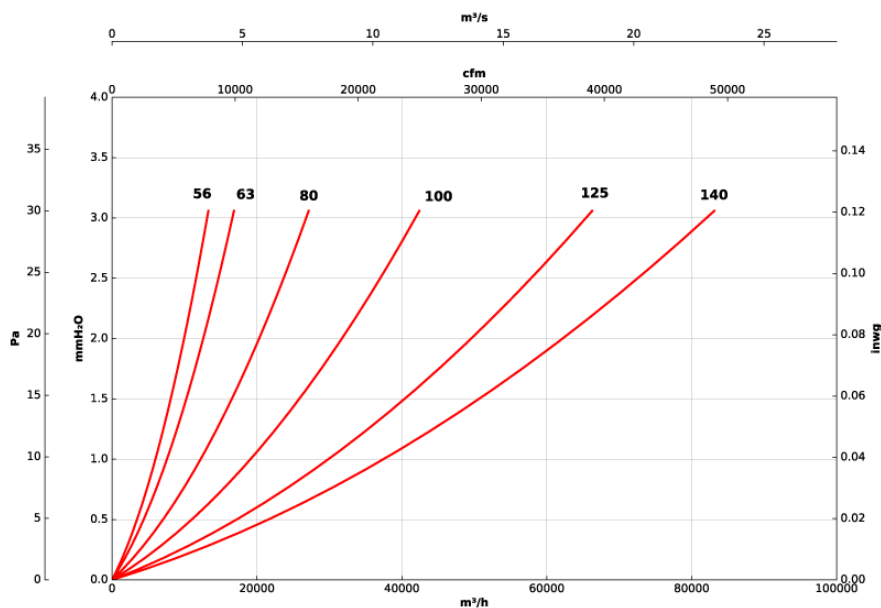
Code: 1006588



Backdraught louvres, certified for 400 °C/2h

Characteristics:

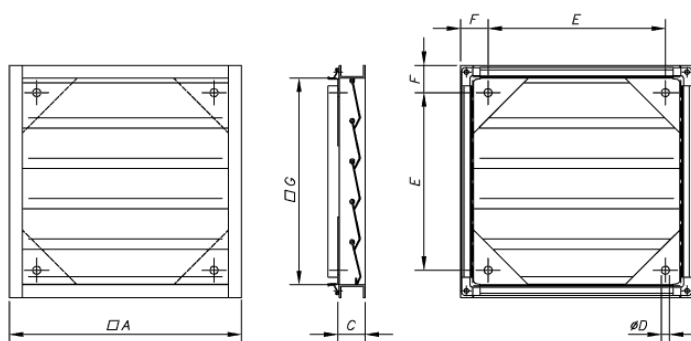
- They are supplied assembled in the box with its corresponding adapter.
- Approved in accordance with standard EN 12101-3, with certificate no.: 0370-CPR-0312.
- Steel sheet frame construction and aluminum sheet slats.
- It can be used for other applications 400 °C/2h.



DIMENSIONS

G	A	C	ØD	E	F
565	615	51	6	455	80

Dimensions without explicitly defined units are shown in millimeters (mm)



P-400-63

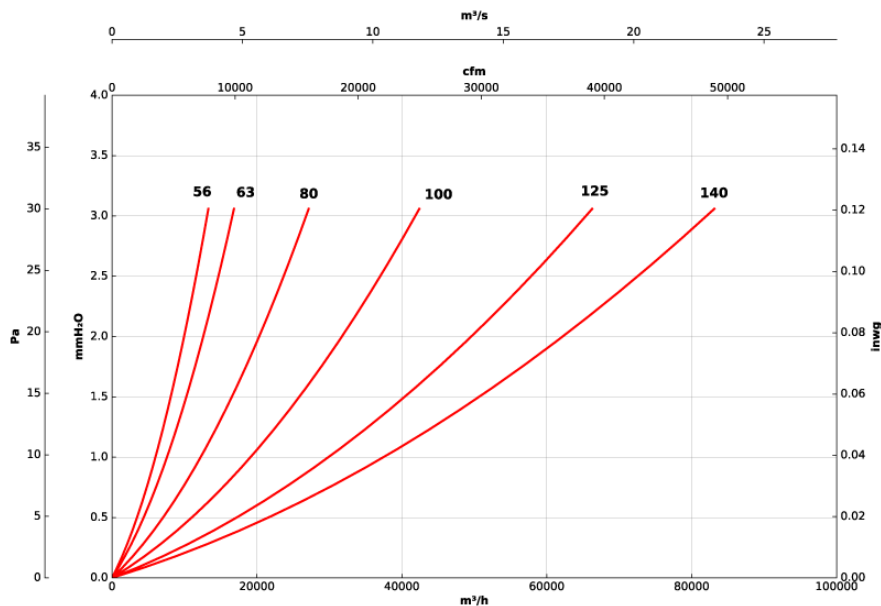
Code: 1006589



Backdraught louvres, certified for 400 °C/2h

Characteristics:

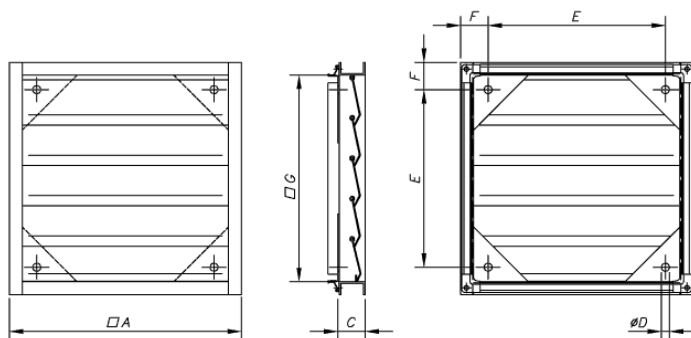
- They are supplied assembled in the box with its corresponding adapter.
- Approved in accordance with standard EN 12101-3, with certificate no.: 0370-CPR-0312.
- Steel sheet frame construction and aluminum sheet slats.
- It can be used for other applications 400 °C/2h.



DIMENSIONS

G	A	C	ØD	E	F
690	760	72	6	600	80

Dimensions without explicitly defined units are shown in millimeters (mm)



P-400-80

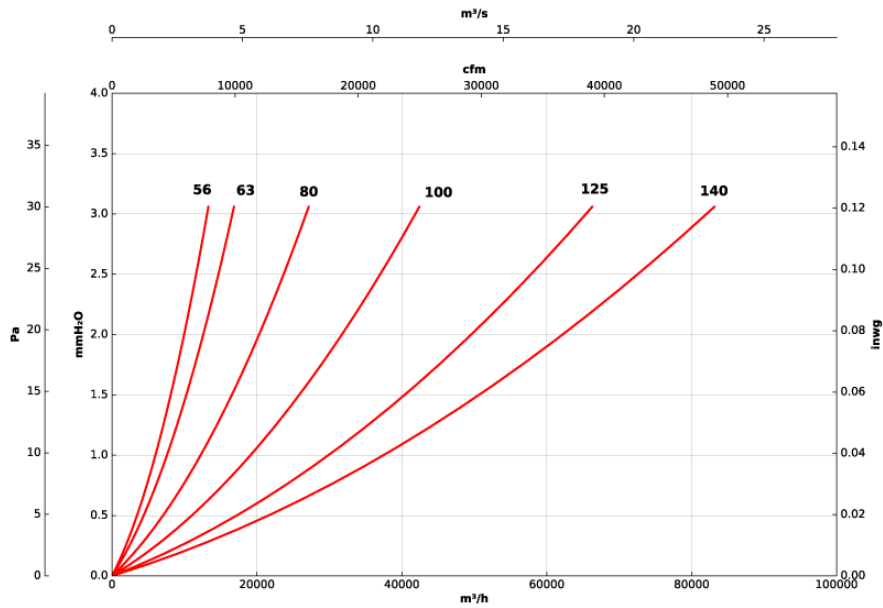
Code: 1006590



Backdraught louvres, certified for 400 °C/2h

Characteristics:

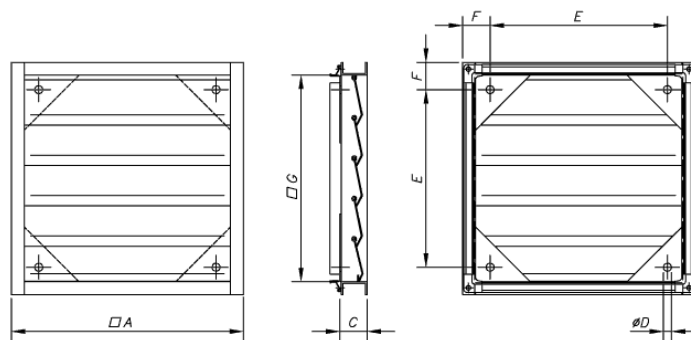
- They are supplied assembled in the box with its corresponding adapter.
- Approved in accordance with standard EN 12101-3, with certificate no.: 0370-CPR-0312.
- Steel sheet frame construction and aluminum sheet slats.
- It can be used for other applications 400 °C/2h.



DIMENSIONS

G	A	C	ØD	E	F
850	920	72	6	740	90

Dimensions without explicitly defined units are shown in millimeters (mm)



P-400-100

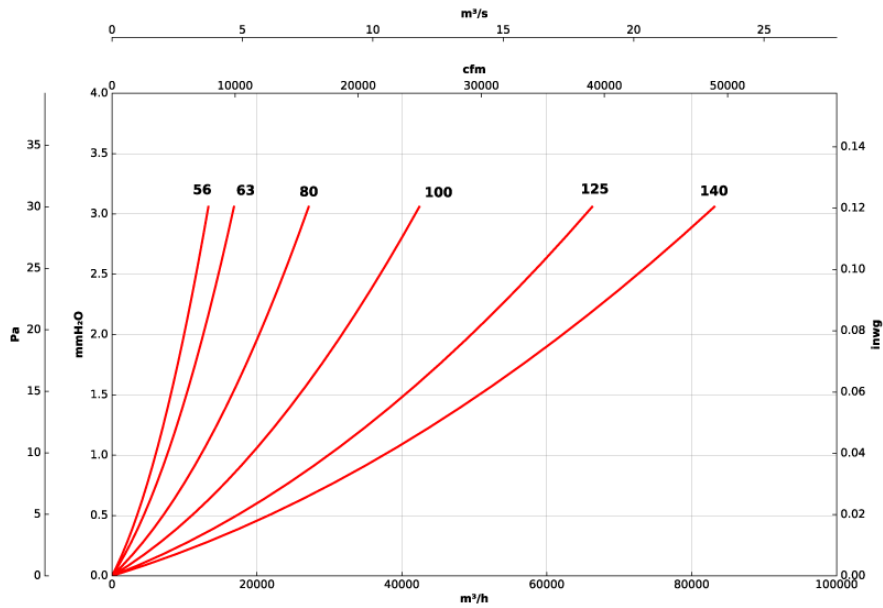
Code: 1006587



Backdraught louvres, certified for 400 °C/2h

Characteristics:

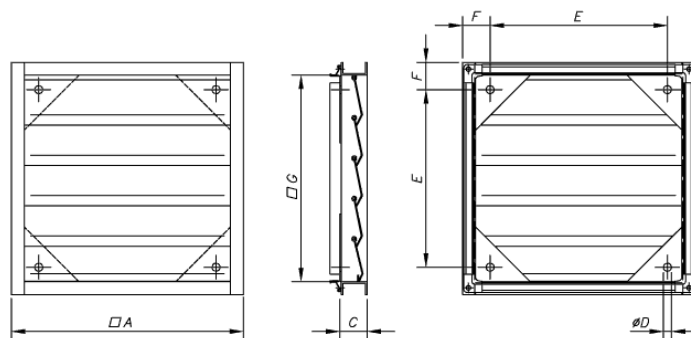
- They are supplied assembled in the box with its corresponding adapter.
- Approved in accordance with standard EN 12101-3, with certificate no.: 0370-CPR-0312.
- Steel sheet frame construction and aluminum sheet slats.
- It can be used for other applications 400 °C/2h.



DIMENSIONS

G	A	C	ØD	E	F
1050	1120	72	6	940	90

Dimensions without explicitly defined units are shown in millimeters (mm)



P-400-125

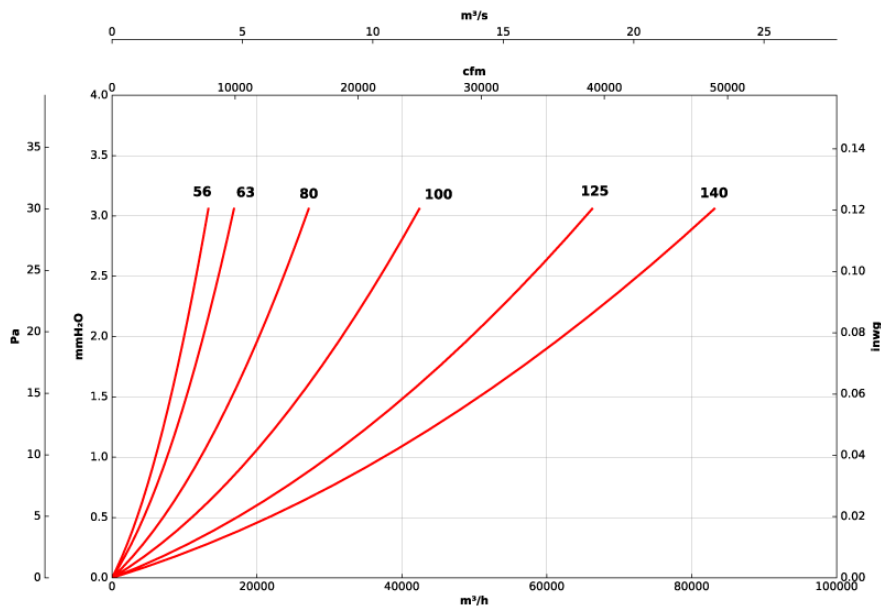
Code: 1131327



Backdraught louvres, certified for 400 °C/2h

Characteristics:

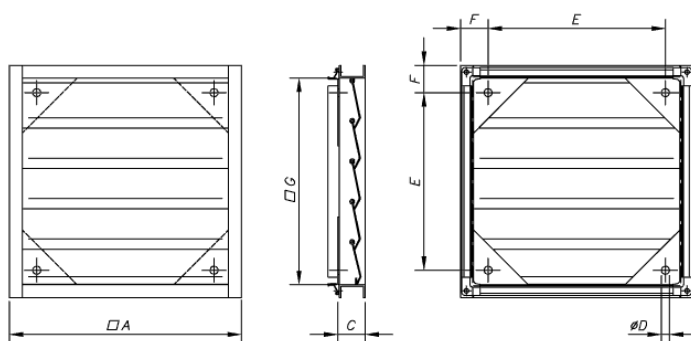
- They are supplied assembled in the box with its corresponding adapter.
- Approved in accordance with standard EN 12101-3, with certificate no.: 0370-CPR-0312.
- Steel sheet frame construction and aluminum sheet slats.
- It can be used for other applications 400 °C/2h.



DIMENSIONS

G	A	C	ØD	E	F
1400	1486	102	6	1306	90

Dimensions without explicitly defined units are shown in millimeters (mm)



P-400-140

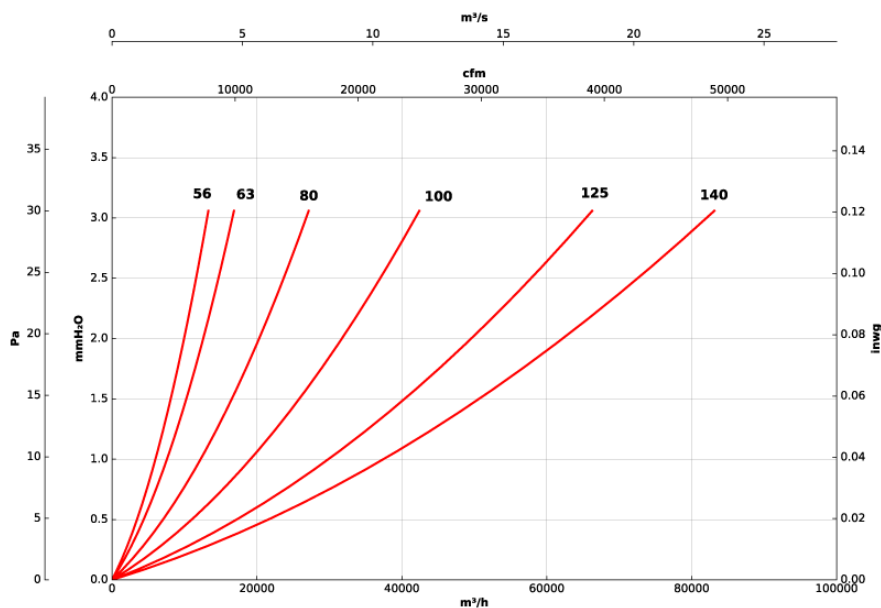
Code: 1148927



Backdraught louvres, certified for 400 °C/2h

Characteristics:

- They are supplied assembled in the box with its corresponding adapter.
- Approved in accordance with standard EN 12101-3, with certificate no.: 0370-CPR-0312.
- Steel sheet frame construction and aluminum sheet slats.
- It can be used for other applications 400 °C/2h.



DIMENSIONS

G	A	C	ØD	E	F
1500	1586	102	6	1366	110

Dimensions without explicitly defined units are shown in millimeters (mm)

