

NEOLINEO/V

In-line duct extractor fans with a detachable body and small size and long-life ball bearings



Fan:

- Casing made of self-extinguishing V0 plastic material.
- External terminal box with variable position.
- Easy, rapid installation.
- The T models are fitted with a timer.

Finish:

- Made of V0 white, plastic, self-extinguishing material.

Motor:

- 2-speed, adjustable motors with long-life ball bearings and IPX4 protection.
- Single-phase 220-240 V. 50/60 Hz.
- Operating temperature -10 °C +60 °C.

Order code

NEOLINEO/V — 125 — (T)

NEOLINEO/V: In-line duct extractor fans with a detachable body and small size and long-life ball bearings

Nozzle diameter in mm

Reference T, with a built-in timer

Technical characteristics

	Speed (r/min) min./max.	Maximum admissible current (A) min./max.	Max. electric power (kW) min./max.	Maximum flow rate (m ³ /h) min./max.	Irradiated sound level* dB(A) min./max.	Approx. weight (kg)	According to ErP
NEOLINEO 100/V	2180 / 2385	0.11 / 0.21	0.021 / 0.033	145 / 187	26 / 30	1.5	Excluded
NEOLINEO 100/V-T	2180 / 2385	0.11 / 0.21	0.021 / 0.033	145 / 187	26 / 30	1.5	Excluded
NEOLINEO 125/V	1950 / 2455	0.18 / 0.27	0.023 / 0.037	220 / 280	28 / 35	1.4	Excluded
NEOLINEO 125/V-T	1950 / 2455	0.18 / 0.27	0.023 / 0.037	220 / 280	28 / 35	1.4	Excluded
NEOLINEO 150/V	1680 / 2460	0.17 / 0.27	0.030 / 0.060	405 / 520	30 / 35	2.7	Excluded
NEOLINEO 150/V-T	1680 / 2460	0.17 / 0.27	0.030 / 0.060	405 / 520	30 / 35	2.7	Excluded
NEOLINEO 160/V	1680 / 2460	0.17 / 0.27	0.030 / 0.060	405 / 520	30 / 35	2.7	Excluded
NEOLINEO 160/V-T	1680 / 2460	0.17 / 0.27	0.030 / 0.060	405 / 520	30 / 35	2.7	Excluded
NEOLINEO 200/V	1915 / 2380	0.34 / 0.48	0.076 / 0.108	830 / 1040	32 / 38	4.0	Excluded
NEOLINEO 200/V-T	1915 / 2380	0.34 / 0.48	0.076 / 0.108	830 / 1040	32 / 38	4.0	Excluded
NEOLINEO 250/V	1955 / 2440	0.54 / 0.79	0.125 / 0.177	1110 / 1400	45 / 55	7.8	2015
NEOLINEO 315/V	1890 / 2430	1.00 / 1.42	0.230 / 0.320	1570 / 2050	49 / 58	12.0	2015

*Irradiated sound pressure levels obtained at a distance of 3 metres in a free field, with rigid inlet/exhaust tubes.

Acoustic characteristics

Noise power spectrum Lw(A) in dB(A) frequency band in [Hz]

Values taken during inlet with 2/3 maximum flow rate (2/3 Qmax)

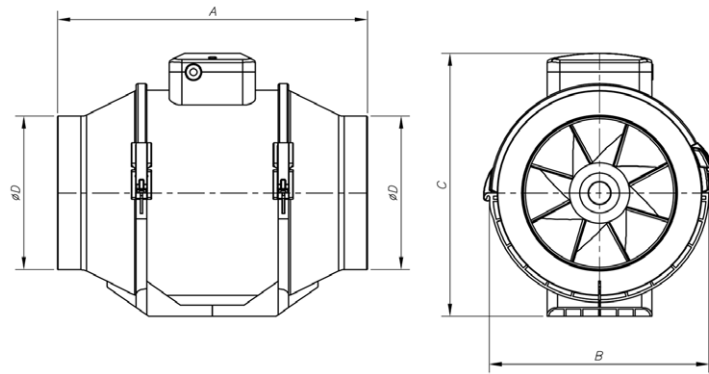
	63	125	250	500	1000	2000	4000	8000
NEOLINEO/V-100	23	35	61	58	56	48	43	30
NEOLINEO/V-125	28	38	57	58	57	52	43	29
NEOLINEO/V-150	42	52	71	69	67	64	56	43
NEOLINEO/V-160	42	52	71	69	67	64	56	43
NEOLINEO/V-200	38	50	69	70	74	73	65	51
NEOLINEO/V-250	51	58	73	85	82	78	67	55
NEOLINEO/V-315	39	55	72	80	82	78	69	54

Values taken during exhaust with 2/3 maximum flow rate (2/3 Qmax)

	63	125	250	500	1000	2000	4000	8000
NEOLINEO/V-100	22	34	60	57	55	48	42	29
NEOLINEO/V-125	27	37	55	57	56	51	42	29
NEOLINEO/V-150	41	50	70	69	66	63	56	42
NEOLINEO/V-160	41	50	70	69	66	63	56	42
NEOLINEO/V-200	36	49	68	69	72	72	63	49
NEOLINEO/V-250	50	57	72	84	81	77	66	54
NEOLINEO/V-315	38	55	71	79	81	78	68	53

CENTRIFUGAL FANS AND IN-LINE DUCT EXTRACTOR FANS

Dimensions mm



	A	B	C	øD
NEOLINEO-100/V	246	167	190	96
NEOLINEO-100/V-T	246	167	190	96
NEOLINEO-125/V	246	167	190	123
NEOLINEO-125/V-T	246	167	190	123
NEOLINEO-150/V	295	223	250	146
NEOLINEO-150/V-T	295	223	250	146
NEOLINEO-160/V	295	233	250	158
NEOLINEO-160/V-T	295	233	250	158
NEOLINEO-200/V	295.5	239	261	199
NEOLINEO-200/V-T	295.5	239	261	199
NEOLINEO-250/V	383	287	323	247
NEOLINEO-315/V	445	362	408	310



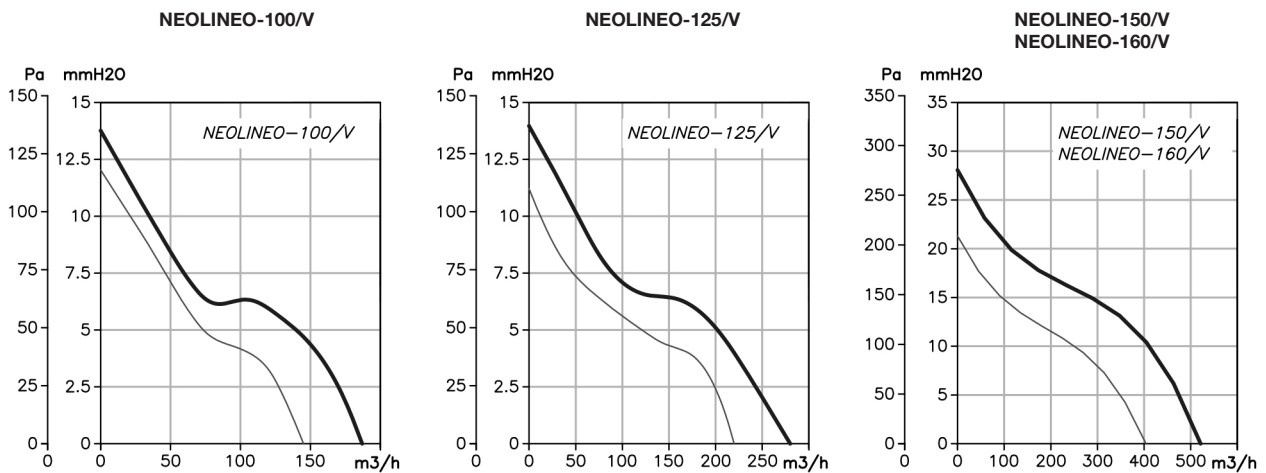
Erp. (Energy Related Products)

Information on Directive 2009/125/EC can be downloaded from the SODECA website or the QuickFan selector programme.

Characteristic curves

Q= Flow rate in m³/h, m³/s and cfm

Pe= Static pressure in mmH₂O, Pa and inwg

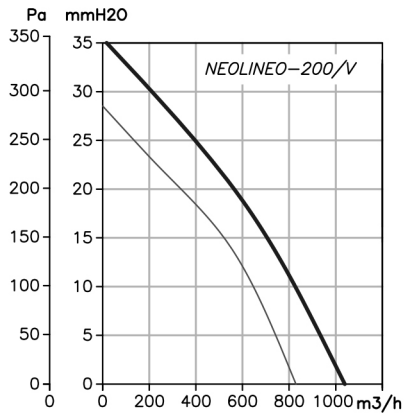


Characteristic curves

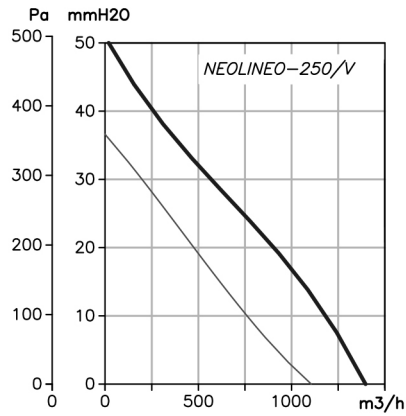
Q= Flow rate in m³/h, m³/s and cfm

Pe= Static pressure in mmH₂O, Pa and inwg

NEOLINEO-200/V



NEOLINEO-250/V



NEOLINEO-315/V

