

# CMP



Single inlet medium pressure centrifugal fans with sheet steel casing and impeller



**Fan:**

- Sheet steel casing.
- Forward curved impeller in galvanized sheet steel.
- Model CMP 38-2M cast aluminum casing.
- Maximum temperature of air to be carried: -20 °C +120 °C, maximum +100 °C model CMP-38.

**Finishing:**

- Anti-corrosive finish in polyester resin, polymerised at 190 °C, after degreasing with phosphate-free nanotechnology treatment.

**On request:**

- Special windings for different voltages.
- Fan prepared to transport air up to +250 °C.
- Stainless steel fan.
- Category 2 ATEX certification (see CMP/ATEX series).

**Motor:**

- Motors with IE3 efficiency for powers equal to or greater than 0.75kW, except single-phase, 2-speed and 8-pole.
- Class F motors with ball bearings and IP55 protection except single-phase models with IP54 protection. CMP-38 model with IP21 protection.
- Single-phase 230V 50 Hz and three-phase 230/400V 50 Hz (up to 4 kW) and 400/690V 50 Hz (powers greater than 4 kW).



Dynamically balanced rotors with extremely robust cores

**Order code**

**CMP — 1128 — 2T — 5,5**

CMP: Single inlet medium pressure centrifugal fans with sheet steel casing and impeller

Impeller size

Number of motor poles  
 2=2900 r/min 50 Hz  
 4=1400 r/min 50 Hz  
 6=900 r/min 50 Hz

T=Three-phase  
 M=Single-phase

Motor power (HP)

**Technical characteristics**

| Model       | Speed<br>(r/min) | Maximum admissible current (A) |      |      | Installed power<br>(kW) | Maximum flow rate<br>m³/h | Sound pressure level<br>dB (A) | Approx. weight<br>(Kg) | According ErP |
|-------------|------------------|--------------------------------|------|------|-------------------------|---------------------------|--------------------------------|------------------------|---------------|
|             |                  | 230V                           | 400V | 690V |                         |                           |                                |                        |               |
| CMP-38-2M/E | 2650             | 0.50                           |      |      | 0.01                    | 135                       | 50                             | 2                      | Excluded      |
| CMP-38-2M   | 2600             | 0.50                           |      |      | 0.01                    | 160                       | 50                             | 2                      | Excluded      |
| CMP-512-2T  | 2670             | 0.64                           | 0.37 |      | 0.09                    | 380                       | 62                             | 4                      | Excluded      |
| CMP-512-2M  | 2760             | 0.79                           |      |      | 0.09                    | 380                       | 62                             | 4                      | Excluded      |
| CMP-512-4T  | 1320             | 0.65                           | 0.38 |      | 0.09                    | 255                       | 55                             | 4                      | Excluded      |
| CMP-512-4M  | 1370             | 0.83                           |      |      | 0.09                    | 255                       | 55                             | 4                      | Excluded      |
| CMP-514-2T  | 2750             | 1.21                           | 0.70 |      | 0.18                    | 700                       | 65                             | 5                      | 2015          |
| CMP-514-2M  | 2780             | 1.42                           |      |      | 0.18                    | 700                       | 65                             | 5                      | 2015          |
| CMP-514-4T  | 1320             | 0.65                           | 0.38 |      | 0.09                    | 565                       | 58                             | 5                      | Excluded      |
| CMP-514-4M  | 1370             | 0.83                           |      |      | 0.09                    | 565                       | 58                             | 5                      | Excluded      |
| CMP-616-2T  | 2760             | 2.57                           | 1.49 |      | 0.55                    | 1380                      | 69                             | 8                      | 2015          |
| CMP-616-2M  | 2810             | 3.49                           |      |      | 0.55                    | 1380                      | 69                             | 10                     | 2015          |
| CMP-616-4T  | 1320             | 0.65                           | 0.38 |      | 0.09                    | 850                       | 61                             | 8                      | Excluded      |
| CMP-616-4M  | 1370             | 0.83                           |      |      | 0.09                    | 850                       | 61                             | 8                      | Excluded      |
| CMP-620-2T  | 2710             | 1.92                           | 1.11 |      | 0.37                    | 765                       | 68                             | 10                     | 2015          |
| CMP-620-2M  | 2780             | 2.53                           |      |      | 0.37                    | 765                       | 68                             | 10                     | 2015          |
| CMP-620-4T  | 1320             | 0.96                           | 0.56 |      | 0.12                    | 810                       | 61                             | 8                      | Excluded      |

## Technical characteristics

| Model               | Speed   | Maximum admissible current (A) |       |       | Installed power | Maximum flow rate | Sound pressure level | Approx. weight | According ErP |
|---------------------|---------|--------------------------------|-------|-------|-----------------|-------------------|----------------------|----------------|---------------|
|                     | (r/min) | 230V                           | 400V  | 690V  | (kW)            | m³/h              | dB (A)               | (Kg)           |               |
| CMP-620-4M          | 1380    | 1.03                           |       |       | 0.12            | 810               | 61                   | 8              | Excluded      |
| CMP-718-2T IE3      | 2825    | 2.80                           | 1.62  |       | 0.75            | 1485              | 70                   | 18             | 2015          |
| CMP-718-2M          | 2810    | 4.50                           |       |       | 0.75            | 1485              | 70                   | 13             | 2015          |
| CMP-718-4T          | 1350    | 1.66                           | 0.96  |       | 0.25            | 1280              | 63                   | 10             | 2015          |
| CMP-718-4M          | 1370    | 2.00                           |       |       | 0.25            | 1280              | 63                   | 10             | 2015          |
| CMP-820-2T IE3      | 2830    | 4.03                           | 2.34  |       | 1.10            | 1950              | 73                   | 16             | 2015          |
| CMP-820-2M          | 2820    | 6.51                           |       |       | 1.10            | 1950              | 73                   | 16             | 2015          |
| CMP-820-4T          | 1350    | 1.66                           | 0.96  |       | 0.25            | 1670              | 66                   | 10             | 2015          |
| CMP-820-4M          | 1370    | 2.00                           |       |       | 0.25            | 1670              | 66                   | 10             | 2015          |
| CMP-922-2T-1.5 IE3  | 2830    | 4.03                           | 2.34  |       | 1.10            | 1650              | 70                   | 21             | 2015          |
| CMP-922-2T-2 IE3    | 2875    | 5.34                           | 3.07  |       | 1.50            | 2010              | 71                   | 27             | 2015          |
| CMP-922-2T-3 IE3    | 2910    | 7.32                           | 4.21  |       | 2.20            | 2600              | 74                   | 30             | 2015          |
| CMP-922-4T          | 1380    | 2.92                           | 1.69  |       | 0.55            | 2450              | 66                   | 19             | 2015          |
| CMP-1025-2T-3 IE3   | 2910    | 7.32                           | 4.21  |       | 2.20            | 2100              | 73                   | 33             | 2015          |
| CMP-1025-2T-4 IE3   | 2910    | 10.00                          | 5.77  |       | 3.00            | 2830              | 77                   | 41             | 2015          |
| CMP-1025-4T IE3     | 1455    | 4.07                           | 2.34  |       | 1.10            | 3400              | 70                   | 43             | 2015          |
| CMP-1128-2T-4 IE3   | 2910    | 10.00                          | 5.77  |       | 3.00            | 2220              | 77                   | 45             | 2015          |
| CMP-1128-2T-5.5 IE3 | 2900    | 13.00                          | 7.50  |       | 4.00            | 3210              | 81                   | 56             | 2015          |
| CMP-1128-4T IE3     | 1435    | 7.93                           | 4.56  |       | 2.20            | 5000              | 74                   | 40             | 2015          |
| CMP-1128-6T IE3     | 940     | 3.36                           | 1.93  |       | 0.75            | 3300              | 60                   | 32             | 2015          |
| CMP-1231-4T-3 IE3   | 1435    | 7.93                           | 4.56  |       | 2.20            | 4740              | 73                   | 48             | 2015          |
| CMP-1231-4T-4 IE3   | 1440    | 10.70                          | 6.15  |       | 3.00            | 5910              | 75                   | 54             | 2015          |
| CMP-1231-4T-5.5 IE3 | 1450    | 13.90                          | 8.00  |       | 4.00            | 6850              | 77                   | 58             | 2015          |
| CMP-1231-6T IE3     | 950     | 6.43                           | 3.70  |       | 1.50            | 5115              | 64                   | 53             | 2015          |
| CMP-1435-4T-4 IE3   | 1440    | 10.70                          | 6.15  |       | 3.00            | 5560              | 76                   | 58             | 2015          |
| CMP-1435-4T-5.5 IE3 | 1450    | 13.90                          | 8.00  |       | 4.00            | 6260              | 78                   | 64             | 2015          |
| CMP-1435-4T-7.5 IE3 | 1465    |                                | 10.30 | 5.97  | 5.50            | 7210              | 80                   | 99             | 2015          |
| CMP-1640-4T-5.5 IE3 | 1450    | 13.90                          | 8.00  |       | 4.00            | 7000              | 77                   | 81             | 2015          |
| CMP-1640-4T-7.5 IE3 | 1465    |                                | 10.30 | 5.97  | 5.50            | 8035              | 80                   | 116            | 2015          |
| CMP-1640-4T-10 IE3  | 1465    |                                | 13.90 | 8.06  | 7.50            | 9710              | 82                   | 120            | 2015          |
| CMP-1640-6T IE3     | 950     | 9.08                           | 5.22  |       | 2.20            | 8100              | 71                   | 80             | 2015          |
| CMP-1845-4T-7.5 IE3 | 1465    |                                | 10.30 | 5.97  | 5.50            | 8000              | 82                   | 117            | 2015          |
| CMP-1845-4T-10 IE3  | 1465    |                                | 13.90 | 8.06  | 7.50            | 10000             | 85                   | 121            | 2015          |
| CMP-1845-6T IE3     | 950     | 9.08                           | 5.22  |       | 2.20            | 7500              | 77                   | 88             | 2015          |
| CMP-2050-4T-10 IE3  | 1465    |                                | 13.90 | 8.06  | 7.50            | 9000              | 83                   | 150            | 2015          |
| CMP-2050-4T-15 IE3  | 1470    |                                | 20.90 | 12.10 | 11.00           | 12525             | 87                   | 178            | 2015          |
| CMP-2050-4T-20 IE3  | 1465    |                                | 27.90 | 16.20 | 15.00           | 16500             | 89                   | 189            | 2015          |
| CMP-2050-6T IE3     | 960     | 15.60                          | 8.99  |       | 4.00            | 11000             | 79                   | 144            | 2015          |



### Erp. (Energy Related Products)

Information on Directive 2009/125/EC can be downloaded from the SODECA website or the QuickFan selector programme.

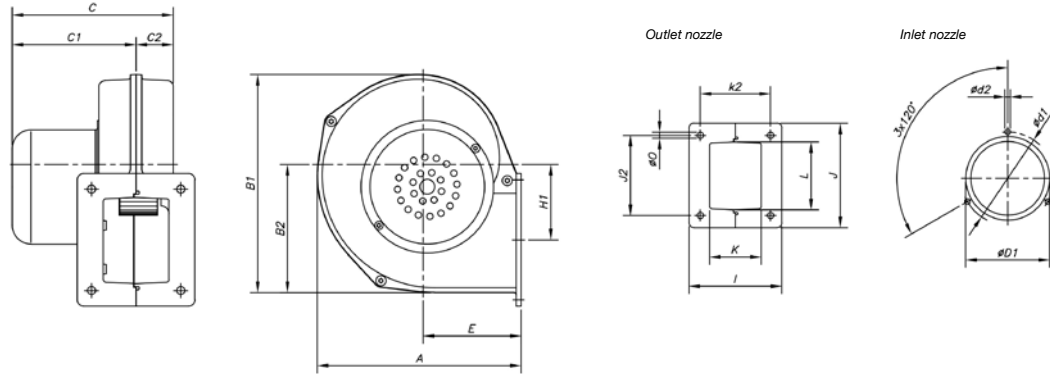
## Acoustic characteristics

Sound power spectrum Lw(A) in dB(A) per Hz frequency band

| Model     | 63 | 125 | 250 | 500 | 1000 | 2000 | 4000 | 8000 | Model      | 63 | 125 | 250 | 500 | 1000 | 2000 | 4000 | 8000 |
|-----------|----|-----|-----|-----|------|------|------|------|------------|----|-----|-----|-----|------|------|------|------|
| 38        | 25 | 35  | 46  | 53  | 57   | 54   | 52   | 45   | 1128-2-5.5 | 56 | 66  | 77  | 84  | 88   | 85   | 83   | 76   |
| 512-2     | 37 | 47  | 58  | 65  | 69   | 66   | 64   | 57   | 1128-4     | 49 | 59  | 70  | 77  | 81   | 78   | 76   | 69   |
| 512-4     | 30 | 40  | 51  | 58  | 62   | 59   | 57   | 50   | 1128-6     | 35 | 45  | 56  | 63  | 67   | 64   | 62   | 55   |
| 514-2     | 40 | 50  | 61  | 68  | 72   | 69   | 67   | 60   | 1231-4-3   | 51 | 60  | 71  | 78  | 82   | 80   | 78   | 71   |
| 514-4     | 33 | 43  | 54  | 61  | 65   | 62   | 60   | 53   | 1231-4-4   | 53 | 62  | 73  | 80  | 84   | 82   | 80   | 73   |
| 616-2     | 44 | 54  | 65  | 72  | 76   | 73   | 71   | 64   | 1231-4-5.5 | 55 | 64  | 75  | 82  | 86   | 84   | 82   | 75   |
| 616-4     | 36 | 46  | 57  | 64  | 68   | 65   | 63   | 56   | 1231-6     | 42 | 51  | 62  | 69  | 73   | 71   | 69   | 62   |
| 620-2     | 43 | 53  | 64  | 71  | 75   | 72   | 70   | 63   | 1435-4-4   | 54 | 63  | 74  | 81  | 85   | 83   | 81   | 74   |
| 620-4     | 36 | 46  | 57  | 64  | 68   | 65   | 63   | 56   | 1435-4-5.5 | 56 | 65  | 76  | 83  | 87   | 85   | 83   | 76   |
| 718-2     | 45 | 55  | 66  | 73  | 77   | 74   | 72   | 65   | 1435-4-7.5 | 58 | 67  | 78  | 85  | 89   | 87   | 85   | 78   |
| 718-4     | 38 | 48  | 59  | 66  | 70   | 67   | 65   | 58   | 1640-4-5.5 | 55 | 64  | 75  | 82  | 86   | 84   | 82   | 75   |
| 820-2     | 48 | 58  | 69  | 76  | 80   | 77   | 75   | 68   | 1640-4-7.5 | 58 | 67  | 78  | 85  | 89   | 87   | 85   | 78   |
| 820-4     | 41 | 51  | 62  | 69  | 73   | 70   | 68   | 61   | 1640-4-10  | 60 | 69  | 80  | 87  | 91   | 89   | 87   | 80   |
| 922-2-1.5 | 45 | 55  | 66  | 73  | 77   | 74   | 72   | 65   | 1640-6     | 49 | 58  | 69  | 76  | 80   | 78   | 76   | 69   |
| 922-2-2   | 46 | 56  | 67  | 74  | 78   | 75   | 73   | 66   | 1845-4-7.5 | 61 | 71  | 82  | 89  | 93   | 91   | 89   | 81   |
| 922-2-3   | 49 | 59  | 70  | 77  | 81   | 78   | 76   | 69   | 1845-4-10  | 64 | 74  | 85  | 92  | 96   | 94   | 92   | 84   |
| 922-4     | 41 | 51  | 62  | 69  | 73   | 70   | 68   | 61   | 1845-6     | 56 | 66  | 77  | 84  | 88   | 86   | 84   | 76   |
| 1025-2-3  | 48 | 58  | 69  | 76  | 80   | 77   | 75   | 68   | 2050-4-10  | 62 | 72  | 83  | 90  | 94   | 92   | 90   | 82   |
| 1025-2-4  | 52 | 62  | 73  | 80  | 84   | 81   | 79   | 72   | 2050-4-15  | 66 | 76  | 87  | 94  | 98   | 96   | 94   | 86   |
| 1025-4    | 45 | 55  | 66  | 73  | 77   | 74   | 72   | 65   | 2050-4-20  | 68 | 78  | 89  | 96  | 100  | 98   | 96   | 88   |
| 1128-2-4  | 52 | 62  | 73  | 80  | 84   | 81   | 79   | 72   | 2050-6     | 58 | 68  | 79  | 86  | 90   | 88   | 86   | 78   |

**Dimensions mm**

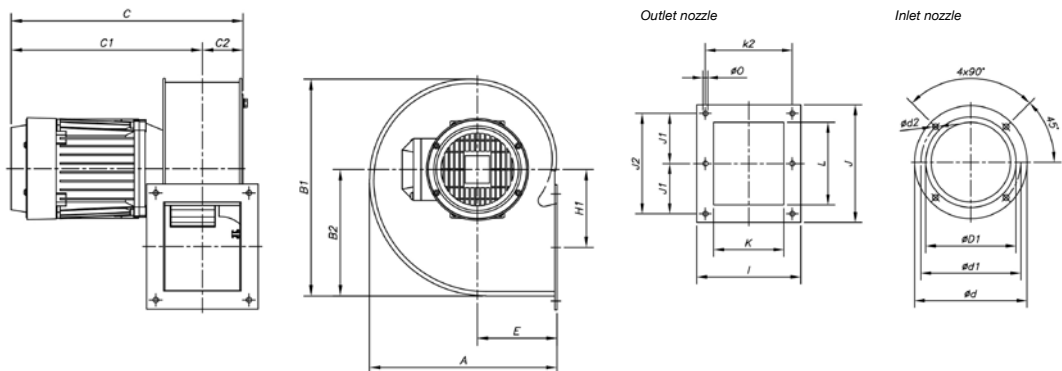
**CMP-38**



|             | A     | B1    | B2    | C   | C1  | C2 | øD1* | ød1 | ød2 | E  | H1   | I   | J   | J2 | K  | k2 | L  | øO  |
|-------------|-------|-------|-------|-----|-----|----|------|-----|-----|----|------|-----|-----|----|----|----|----|-----|
| CMP-38-2M/E | 141   | 165   | 97    | 122 | 96  | 26 | 80   | 85  | 2.4 | 60 | 60.5 | 100 | 80  | 46 | 50 | 77 | 52 | 8   |
| CMP-38-2M   | 164.5 | 176.5 | 103.5 | 130 | 100 | 30 | 60   | 85  | M4  | 79 | 61   | 95  | 107 | 82 | 53 | 72 | 69 | 6.5 |

\* Recommended nominal tube diameter

**CMP-512...820**

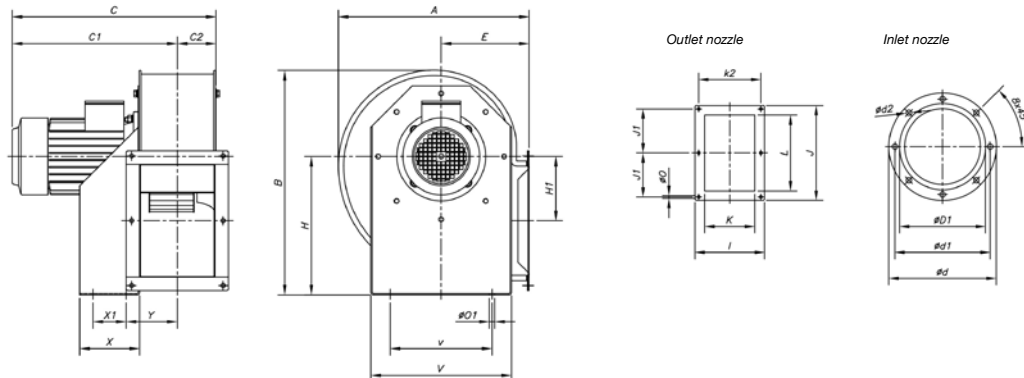


|            | A     | B1    | B2    | C     | C1  | C2   | øD1* | ød  | ød1   | ød2 | E     | H1    | I   | J   | J1   | J2    | K   | k2  | L   | øO  |
|------------|-------|-------|-------|-------|-----|------|------|-----|-------|-----|-------|-------|-----|-----|------|-------|-----|-----|-----|-----|
| CMP-512-2T | 185   | 206.5 | 118   | 251   | 212 | 39   | 112  | 140 | 132   | M4  | 81    | 69    | 106 | 118 | -    | 104.5 | 75  | 93  | 86  | 5.5 |
| CMP-512-4T | 185   | 206.5 | 118   | 249   | 210 | 39   | 112  | 140 | 132   | M4  | 81    | 69    | 106 | 118 | -    | 104.5 | 75  | 93  | 86  | 5.5 |
| CMP-514-2T | 225   | 254   | 150   | 281   | 236 | 45   | 140  | 169 | 151.5 | M4  | 100   | 91    | 122 | 147 | 64   | 128   | 83  | 105 | 107 | 6.5 |
| CMP-514-4T | 225   | 254   | 150   | 261   | 216 | 45   | 140  | 169 | 151.5 | M4  | 100   | 91    | 122 | 147 | 64   | 128   | 83  | 105 | 107 | 6.5 |
| CMP-616-2T | 258   | 297   | 173.5 | 320   | 264 | 56   | 160  | 204 | 180   | M6  | 110   | 105.5 | 153 | 172 | -    | 147   | 103 | 128 | 122 | 7   |
| CMP-616-4T | 258   | 297   | 173.5 | 283   | 227 | 56   | 160  | 204 | 180   | M6  | 110   | 105.5 | 153 | 172 | -    | 147   | 103 | 128 | 122 | 7   |
| CMP-620-2T | 298   | 347   | 202.5 | 321   | 265 | 56   | 200  | 247 | 230   | M6  | 126   | 145.5 | 159 | 153 | -    | 128   | 105 | 134 | 100 | 8   |
| CMP-620-4T | 298   | 347   | 202.5 | 283   | 227 | 56   | 200  | 247 | 230   | M6  | 126   | 145.5 | 159 | 153 | -    | 128   | 105 | 134 | 100 | 8   |
| CMP-718-2T | 303.5 | 348   | 201   | 355   | 294 | 61   | 180  | 238 | 210   | M6  | 129.5 | 122   | 169 | 192 | 85   | 170   | 115 | 145 | 146 | 9   |
| CMP-718-2M | 303.5 | 348   | 201   | 355   | 245 | 61   | 180  | 238 | 210   | M6  | 129.5 | 122   | 169 | 192 | 85   | 170   | 115 | 145 | 146 | 9   |
| CMP-718-4T | 303.5 | 348   | 201   | 331   | 270 | 61   | 180  | 238 | 210   | M6  | 129.5 | 122   | 169 | 192 | 85   | 170   | 115 | 145 | 146 | 9   |
| CMP-718-4M | 303.5 | 348   | 201   | 331   | 270 | 61   | 180  | 238 | 210   | M6  | 129.5 | 122   | 169 | 192 | 85   | 170   | 115 | 145 | 146 | 9   |
| CMP-820-2T | 322   | 377   | 223   | 369.5 | 301 | 68.5 | 200  | 247 | 230   | M6  | 137.5 | 137   | 184 | 213 | 94.5 | 189   | 130 | 160 | 156 | 9   |
| CMP-820-2M | 322   | 377   | 223   | 369.5 | 301 | 68.5 | 200  | 247 | 230   | M6  | 137.5 | 137   | 184 | 213 | 94.5 | 189   | 130 | 160 | 156 | 9   |
| CMP-820-4T | 322   | 377   | 223   | 345.5 | 277 | 68.5 | 200  | 247 | 230   | M6  | 137.5 | 137   | 184 | 213 | 94.5 | 189   | 130 | 160 | 156 | 9   |
| CMP-820-4M | 322   | 377   | 223   | 345.5 | 277 | 68.5 | 200  | 247 | 230   | M6  | 137.5 | 137   | 184 | 213 | 94.5 | 189   | 130 | 160 | 156 | 9   |

\* Recommended nominal tube diameter

## Dimensions mm

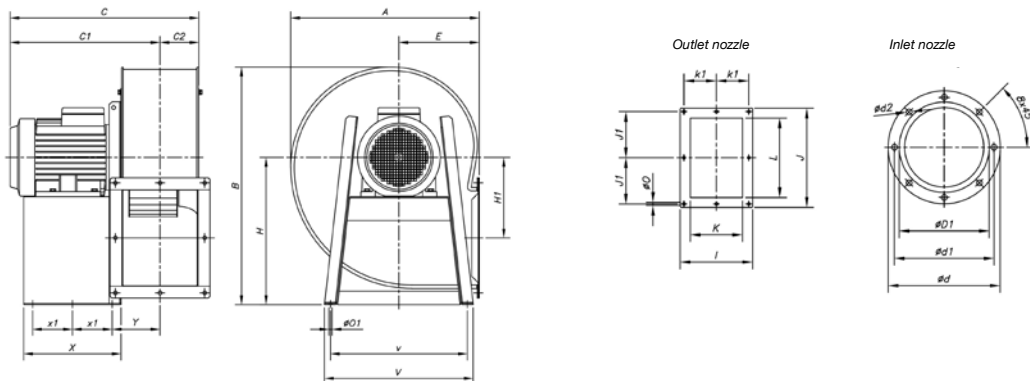
**CMP-922...1231**



|                 | A     | B   | C     | C1  | C2    | ØD1* | Ød  | Ød1 | Ød2 | E   | H   | H1    | I   | J     | J1  | K   | k2  | L     | ØO   | ØO1  | V   | v   | X   | X1  | Y     |
|-----------------|-------|-----|-------|-----|-------|------|-----|-----|-----|-----|-----|-------|-----|-------|-----|-----|-----|-------|------|------|-----|-----|-----|-----|-------|
| CMP-922-2T-1.5  | 388.5 | 455 | 382.5 | 309 | 73.5  | 224  | 278 | 256 | M8  | 180 | 280 | 134   | 204 | 282.5 | 128 | 140 | 180 | 215   | 9.5  | 10.5 | 290 | 220 | 114 | 50  | 105   |
| CMP-922-2T-2    | 388.5 | 455 | 430.5 | 357 | 73.5  | 224  | 278 | 256 | M8  | 180 | 280 | 134   | 204 | 282.5 | 128 | 140 | 180 | 215   | 9.5  | 10.5 | 290 | 220 | 114 | 50  | 105   |
| CMP-922-2T-3    | 388.5 | 455 | 430.5 | 357 | 73.5  | 224  | 278 | 256 | M8  | 180 | 280 | 134   | 204 | 282.5 | 128 | 140 | 180 | 215   | 9.5  | 10.5 | 290 | 220 | 114 | 50  | 105   |
| CMP-922-4T      | 388.5 | 455 | 382.5 | 309 | 73.5  | 224  | 278 | 256 | M8  | 180 | 280 | 134   | 204 | 282.5 | 128 | 140 | 180 | 215   | 9.5  | 10.5 | 290 | 220 | 114 | 50  | 105   |
| CMP-1025-2T-3   | 427   | 503 | 456   | 370 | 86    | 250  | 305 | 282 | M8  | 197 | 310 | 144   | 229 | 312.5 | 145 | 165 | 205 | 250   | 9.5  | 12.5 | 315 | 228 | 134 | 74  | 115.5 |
| CMP-1025-2T-4   | 427   | 503 | 486   | 400 | 86    | 250  | 305 | 282 | M8  | 197 | 310 | 144   | 229 | 312.5 | 145 | 165 | 205 | 250   | 9.5  | 12.5 | 315 | 228 | 134 | 74  | 115.5 |
| CMP-1025-4T     | 427   | 503 | 456   | 370 | 86    | 250  | 305 | 282 | M8  | 197 | 310 | 144   | 229 | 312.5 | 145 | 165 | 205 | 250   | 9.5  | 12.5 | 315 | 228 | 134 | 74  | 115.5 |
| CMP-1128-2T-4   | 472   | 553 | 500.5 | 407 | 93.5  | 280  | 348 | 320 | M8  | 216 | 340 | 152   | 244 | 364   | 170 | 180 | 220 | 296.5 | 9.5  | 12.5 | 348 | 245 | 144 | 95  | 122.5 |
| CMP-1128-2T-5.5 | 472   | 553 | 523.5 | 430 | 93.5  | 280  | 348 | 320 | M8  | 216 | 340 | 152   | 244 | 364   | 170 | 180 | 220 | 296.5 | 9.5  | 12.5 | 348 | 245 | 144 | 95  | 122.5 |
| CMP-1128-4T     | 472   | 553 | 500.5 | 407 | 93.5  | 280  | 348 | 320 | M8  | 216 | 340 | 152   | 244 | 364   | 170 | 180 | 220 | 296.5 | 9.5  | 12.5 | 348 | 245 | 144 | 95  | 122.5 |
| CMP-1128-6T     | 472   | 553 | 470.5 | 377 | 93.5  | 280  | 348 | 320 | M8  | 216 | 340 | 152   | 244 | 364   | 170 | 180 | 220 | 296.5 | 9.5  | 12.5 | 348 | 245 | 144 | 95  | 122.5 |
| CMP-1231-4T-3   | 526   | 630 | 520.5 | 417 | 103.5 | 315  | 382 | 354 | M8  | 238 | 390 | 179.5 | 264 | 382.5 | 180 | 200 | 240 | 320   | 11.5 | 13   | 382 | 322 | 183 | 140 | 126   |
| CMP-1231-4T-4   | 526   | 630 | 520.5 | 417 | 103.5 | 315  | 382 | 354 | M8  | 238 | 390 | 179.5 | 264 | 382.5 | 180 | 200 | 240 | 320   | 11.5 | 13   | 382 | 322 | 183 | 140 | 126   |
| CMP-1231-4T-5.5 | 526   | 630 | 543.5 | 440 | 103.5 | 315  | 382 | 354 | M8  | 238 | 390 | 179.5 | 264 | 382.5 | 180 | 200 | 240 | 320   | 11.5 | 13   | 382 | 322 | 183 | 140 | 126   |
| CMP-1231-6T     | 526   | 630 | 520.5 | 417 | 103.5 | 315  | 382 | 354 | M8  | 238 | 390 | 179.5 | 264 | 382.5 | 180 | 200 | 240 | 320   | 11.5 | 13   | 382 | 322 | 183 | 140 | 126   |

\* Recommended nominal tube diameter

**CMP-1435...2563**



|                 | A     | B   | C     | C1  | C2    | ØD1* | Ød  | Ød1 | Ød2 | E   | H   | H1    | I   | J     | J1  | K   | k1    | L   | ØO   | ØO1 | V   | v   | X   | X1    | Y     |
|-----------------|-------|-----|-------|-----|-------|------|-----|-----|-----|-----|-----|-------|-----|-------|-----|-----|-------|-----|------|-----|-----|-----|-----|-------|-------|
| CMP-1435-4T-4   | 573.5 | 715 | 549   | 431 | 118   | 355  | 422 | 394 | M8  | 250 | 445 | 242.5 | 292 | 342.5 | 159 | 228 | 133   | 280 | 11.5 | 12  | 456 | 420 | 333 | 136.5 | 150   |
| CMP-1435-4T-5.5 | 573.5 | 715 | 572   | 454 | 118   | 355  | 422 | 394 | M8  | 250 | 445 | 242.5 | 292 | 342.5 | 159 | 228 | 133   | 280 | 11.5 | 12  | 456 | 420 | 333 | 136.5 | 150   |
| CMP-1435-4T-7.5 | 573.5 | 715 | 610   | 492 | 118   | 355  | 422 | 394 | M8  | 250 | 445 | 242.5 | 292 | 342.5 | 159 | 228 | 133   | 280 | 11.5 | 12  | 456 | 420 | 333 | 136.5 | 150   |
| CMP-1640-4T-5.5 | 634   | 799 | 596   | 465 | 130   | 400  | 464 | 438 | M8  | 270 | 495 | 271   | 336 | 404   | 185 | 250 | 150   | 321 | 11.5 | 12  | 500 | 460 | 327 | 133.5 | 162.5 |
| CMP-1640-4T-7.5 | 634   | 799 | 634   | 504 | 130   | 400  | 464 | 438 | M8  | 270 | 495 | 271   | 336 | 404   | 185 | 250 | 150   | 321 | 11.5 | 12  | 500 | 460 | 327 | 133.5 | 162.5 |
| CMP-1640-4T-10  | 634   | 799 | 634   | 504 | 130   | 400  | 464 | 438 | M8  | 270 | 495 | 271   | 336 | 404   | 185 | 250 | 150   | 321 | 11.5 | 12  | 500 | 460 | 327 | 133.5 | 162.5 |
| CMP-1640-6T     | 634   | 799 | 596   | 466 | 130   | 400  | 464 | 438 | M8  | 270 | 495 | 271   | 336 | 404   | 185 | 250 | 150   | 321 | 11.5 | 12  | 500 | 460 | 327 | 133.5 | 162.5 |
| CMP-1845-4T-7.5 | 711   | 901 | 668   | 521 | 147   | 450  | 515 | 485 | M8  | 302 | 560 | 305   | 370 | 444   | 202 | 284 | 164   | 361 | 11.5 | 12  | 538 | 502 | 340 | 140   | 179.5 |
| CMP-1845-4T-10  | 711   | 901 | 668   | 521 | 147   | 450  | 515 | 485 | M8  | 302 | 560 | 305   | 370 | 444   | 202 | 284 | 164   | 361 | 11.5 | 12  | 538 | 502 | 340 | 140   | 179.5 |
| CMP-1845-6T     | 711   | 901 | 630   | 483 | 147   | 450  | 515 | 485 | M8  | 302 | 560 | 305   | 370 | 444   | 202 | 284 | 164   | 361 | 11.5 | 12  | 538 | 502 | 340 | 140   | 179.5 |
| CMP-2050-4T-10  | 797   | 987 | 700.5 | 538 | 162.5 | 500  | 565 | 535 | M10 | 345 | 610 | 313   | 411 | 544   | 250 | 315 | 182.5 | 451 | 11.5 | 12  | 653 | 615 | 435 | 188   | 196   |
| CMP-2050-4T-15  | 797   | 987 | 805.5 | 643 | 162.5 | 500  | 565 | 535 | M10 | 345 | 610 | 313   | 411 | 544   | 250 | 315 | 182.5 | 451 | 11.5 | 12  | 653 | 615 | 435 | 188   | 196   |
| CMP-2050-4T-20  | 797   | 987 | 805.5 | 643 | 162.5 | 500  | 565 | 535 | M10 | 345 | 610 | 313   | 411 | 544   | 250 | 315 | 182.5 | 451 | 11.5 | 12  | 653 | 615 | 435 | 188   | 196   |
| CMP-2050-6T     | 797   | 987 | 700.5 | 538 | 162.5 | 500  | 565 | 535 | M10 | 345 | 610 | 313   | 411 | 544   | 250 | 315 | 182.5 | 451 | 11.5 | 12  | 653 | 615 | 435 | 188   | 196   |

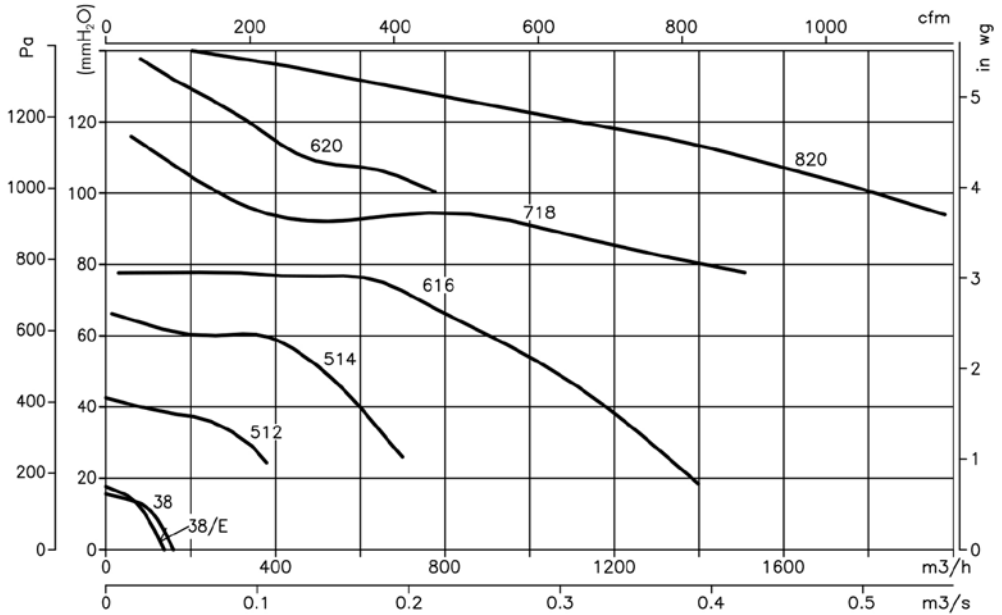
\* Recommended nominal tube diameter

**Characteristic curves**

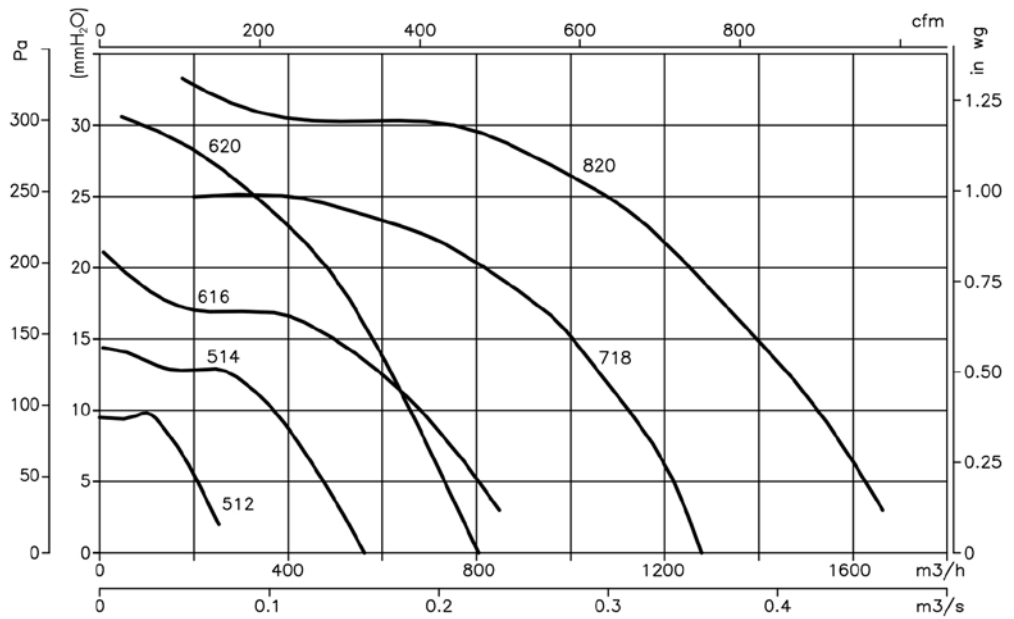
Q= Flow rate in m<sup>3</sup>/h, m<sup>3</sup>/s and cfm

Pe= Static pressure in mm H<sub>2</sub>O, Pa and inwg

**2T/2M=3000 r/min**



**4T/4M=1500 r/min**

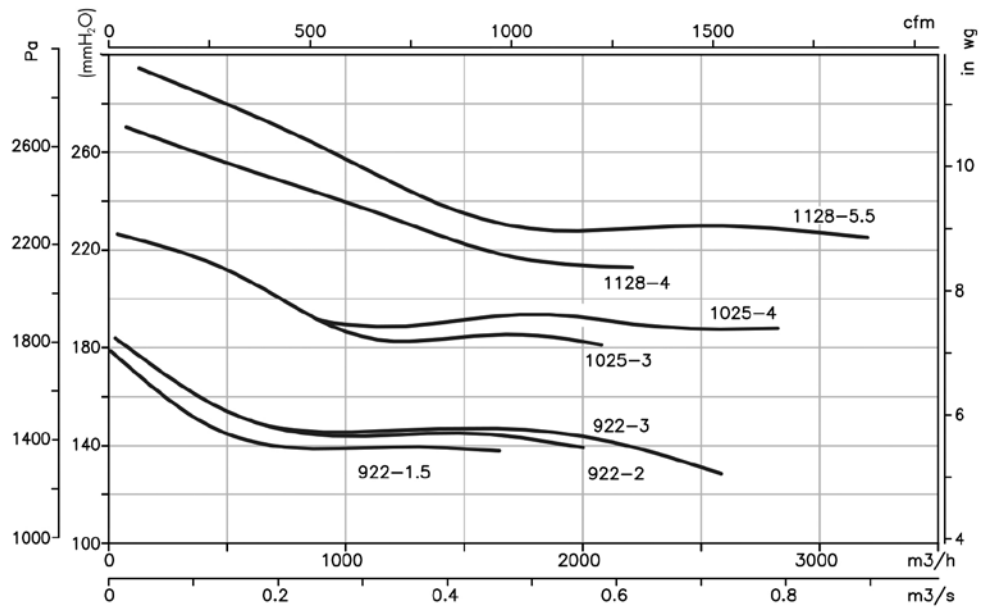


### Characteristic curves

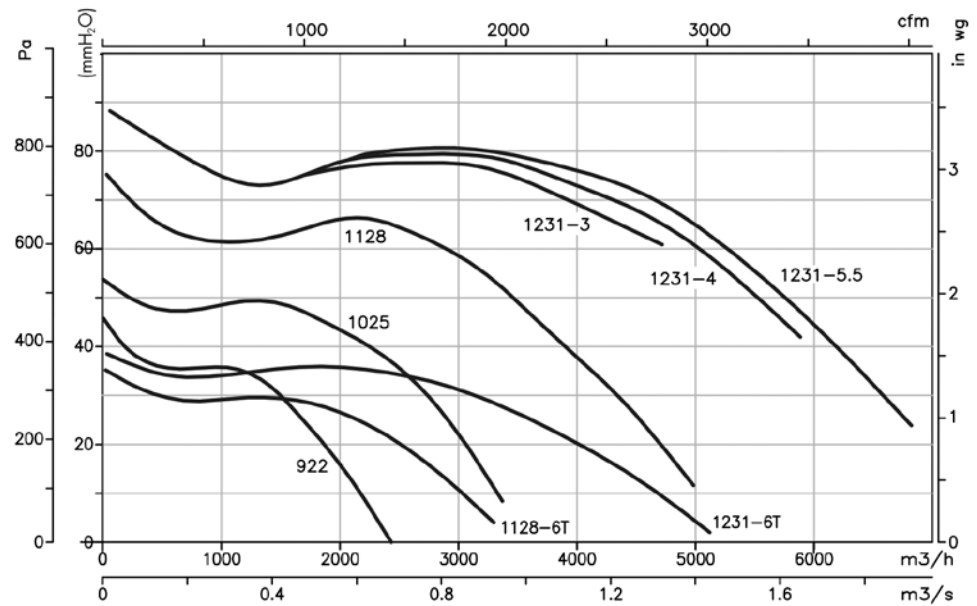
Q= Flow rate in m<sup>3</sup>/h, m<sup>3</sup>/s and cfm

Pe= Static pressure in mm H<sub>2</sub>O, Pa and inwg

**2T=3000 r/min**



**4T=1500 r/min  
6T=1000 r/min**

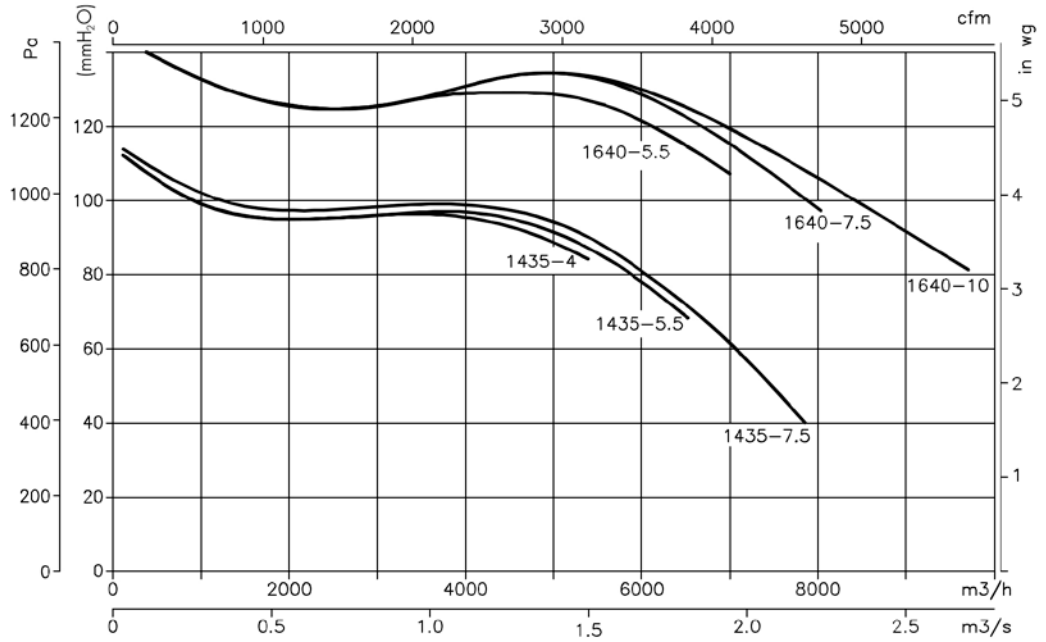


**Characteristic curves**

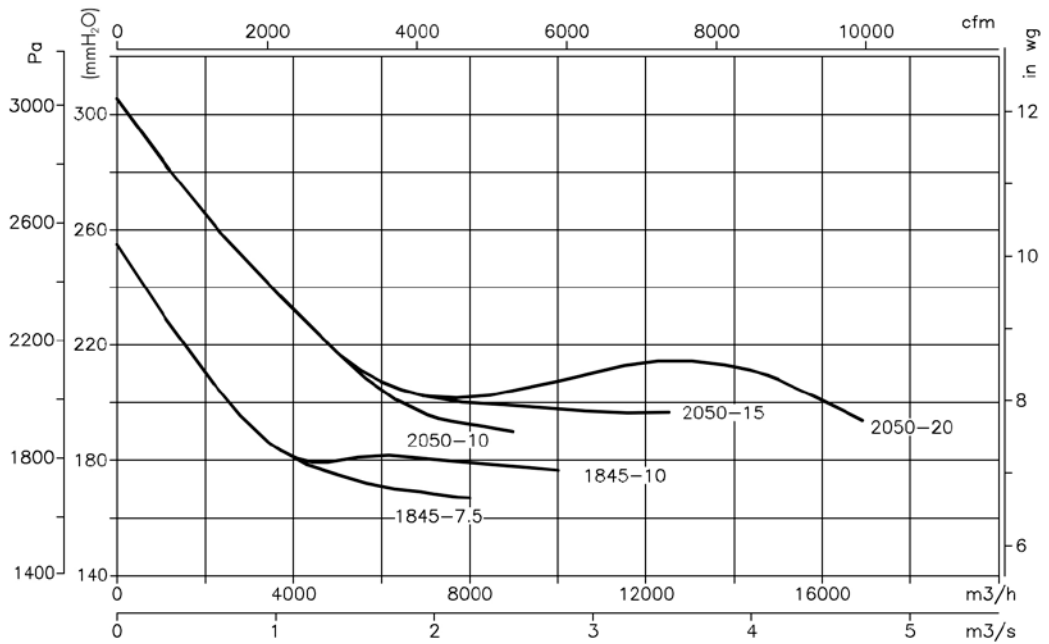
Q= Flow rate in m<sup>3</sup>/h, m<sup>3</sup>/s and cfm

Pe= Static pressure in mm H<sub>2</sub>O, Pa and inwg

**4T=1500 r/min**



**4T=1500 r/min**

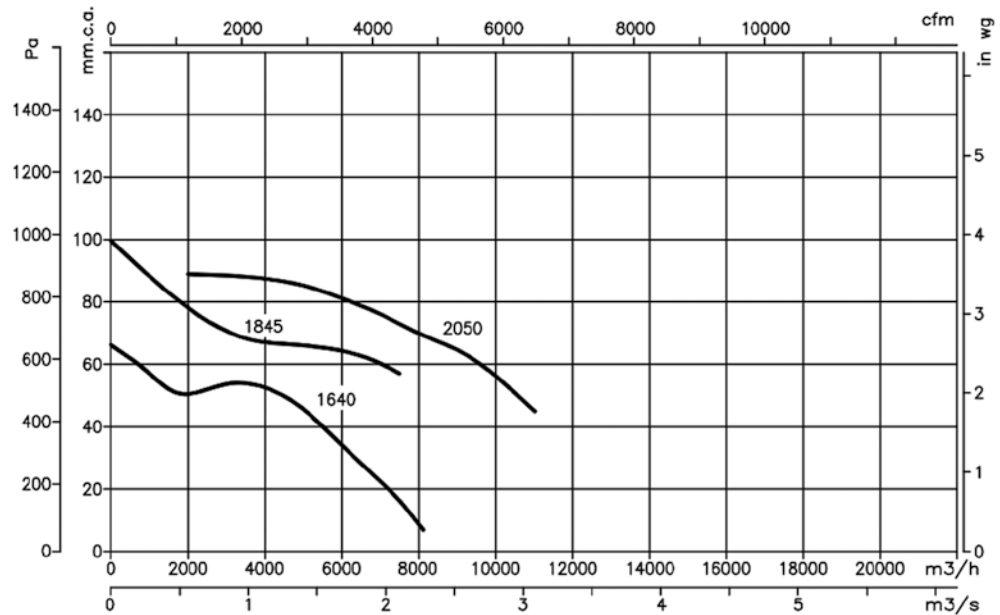


## Characteristic curves

Q= Flow rate in m<sup>3</sup>/h, m<sup>3</sup>/s and cfm

Pe= Static pressure in mm H<sub>2</sub>O, Pa and inwg

6T=1000 r/min



## Orientations

Standard supply LG 270

Positions LG 180 and RD 180 on request with special anchoring measurements.



## Accessories

