

CMP/EC

Single inlet medium pressure centrifugal fans, direct motor, forward curved impeller and EC Technology IE5 motor



EC TECHNOLOGY MOTOR with integrated electronics



EC CONTROL Supplied as an optional accessory

Medium pressure centrifugal fans and single inlet, with direct motor and forward curved impeller, with EC Technology IE5 motor with integrated electronics, specially designed for high energy efficiency.

Fan:

- Sheet steel casing.
- Forward curved impeller in extremely robust sheet steel.
- Maximum temperature of air to be carried: -25 °C +120 °C.

Motor:

- High efficiency EC Technology motors with integrated electronics, regulated by 0-10 V or 4-20 mA.
- IE5 efficiency motors, class F and IP55 protection.
- Single-phase 230 V 50/60 Hz.
- Working temperature: -25 °C +60 °C.

EC CONTROL: Supplied as an optional accessory. Control panel for ventilation

systems with EC Technology motors with the electronics integrated in the motor itself. With the following characteristics:

- CPC: Constant pressure control.
- CFC: Constant flow control.
- DAY / NIGHT: Double pressure setpoint adjustment according to time of day.
- External sensor: compatible with temperature, humidity, air quality or CO sensor.
- Equipment preconfigured in constant pressure mode with 100 Pa set point.

Finish:

- Anti-corrosive finish in polyester resin, polymerised at 190 °C, after degreasing with phosphate-free nanotechnology treatment.

On request:

- Fan prepared to transport air up to +250 °C.
- Stainless steel fan.

Order code

CMP/EC – 616 – 2M – 0.75 – IE5

CMP/EC: Single inlet medium pressure centrifugal fans, direct motor, forward curved impeller and EC Technology IE5 motor

Impeller size

Number of motor poles
2=2900 r/min 50 Hz
4=1400 r/min 50 Hz

T = Three-phase
M = Single-phase

Motor power (HP)

IE5 motor

Technical characteristics

Model	Speed	Maximum admissible current (A) 230V	Max. electric power (kW)	Maximum flow rate (m ³ /h)	Sound pressure level dB (A)	Approx. weight (Kg)	According ErP*
	(r/min)						
CMP/EC-616-2M-0.75 IE5	2810	4.8	0.55	1380	69	10	2020
CMP/EC-620-2M-0.5 IE5	2780	3.3	0.37	765	68	10	2020
CMP/EC-718-2M-1 IE5	2810	5.9	0.75	1485	70	13	2020
CMP/EC-820-2M-1.5 IE5	2820	8.7	1.10	1950	73	16	2020
CMP/EC-820-4M-0.33 IE5	1370	2.3	0.25	1670	66	10	2020
CMP/EC-922-4M-0.75 IE5	1380	4.8	0.55	2450	66	19	2020
CMP/EC-1025-4M-1.5 IE5	1455	8.9	1.10	3400	70	43	2020

* In accordance with the ErP 2020 draft



Erp. (Energy Related Products)

Information on Directive 2009/125/EC can be downloaded from the SODECA website or the QuickFan selector programme.

Acoustic characteristics

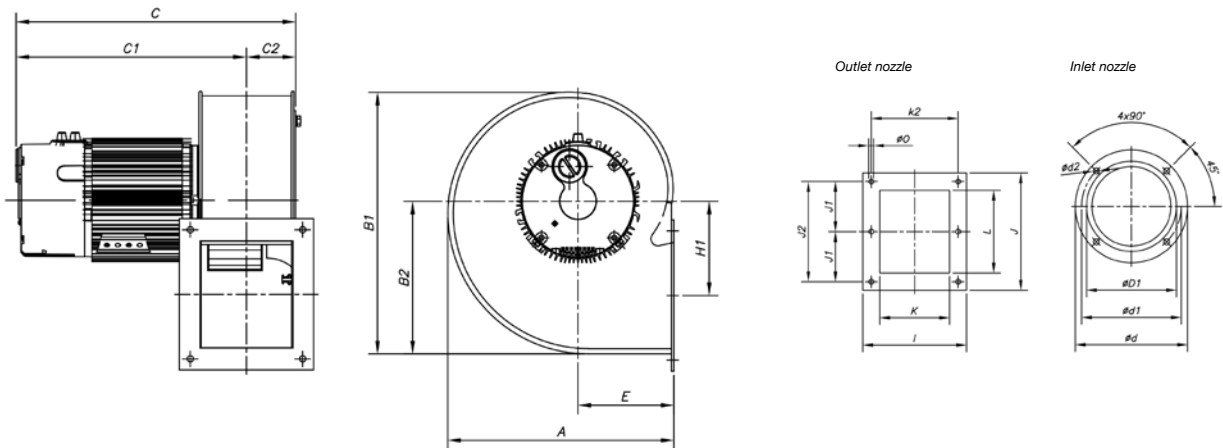
The indicated values are determined by measuring the sound pressure level and sound power in dB(A) obtained in a free field at a distance equivalent to twice the size of the fan plus the impeller diameter, with a minimum of 1.5 m.

Sound power spectrum Lw(A) in dB(A) per Hz frequency band

	63	125	250	500	1000	2000	4000	8000		63	125	250	500	1000	2000	4000	8000
CMP/EC-616-2M-0.75	44	54	65	72	76	73	71	64	CMP/EC-820-4M-0.33	41	51	62	69	73	70	68	61
CMP/EC-620-2M-0.5	43	53	64	71	75	72	70	63	CMP/EC-922-4M-0.75	40	52	62	70	72	71	68	60
CMP/EC-718-2M-1	45	55	66	73	77	74	72	65	CMP/EC-1025-4M-1.5	45	54	65	72	76	73	72	65
CMP/EC-820-2M-1.5	48	58	69	76	80	77	75	68									

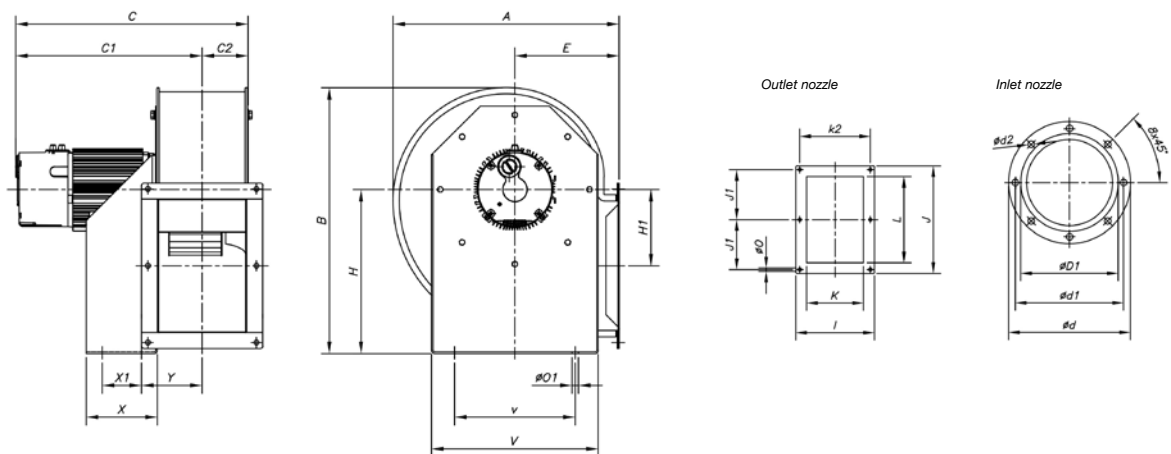
Dimensions mm

CMP/EC-616 ... 820



	A	B1	B2	C	C1	C2	ØD1	Ød	Ød1	Ød2	E	H1	I	J	J1	J2	K	k2	L	ØO
CMP/EC-616-2M	258	297	173.5	332	276	56	160	204	180	M6	110	105.5	153	172	-	147	103	128	122	7
CMP/EC-620-2M	298	347	202.5	316	260	56	200	247	230	M6	126	145.5	159	153	-	128	105	134	100	8
CMP/EC-718-2M	303.5	348	201	368	307	61	180	238	210	M6	129.5	122	169	192	85	170	115	145	146	9
CMP/EC-820-2M	322	377	223	383	314.5	68.5	200	247	230	M6	137.5	137	184	213	94.5	189	130	160	156	9
CMP/EC-820-4M	322	377	223	341	272.5	68.5	200	247	230	M6	137.5	137	184	213	94.5	189	130	160	156	9

CMP/EC-922 ... 1025

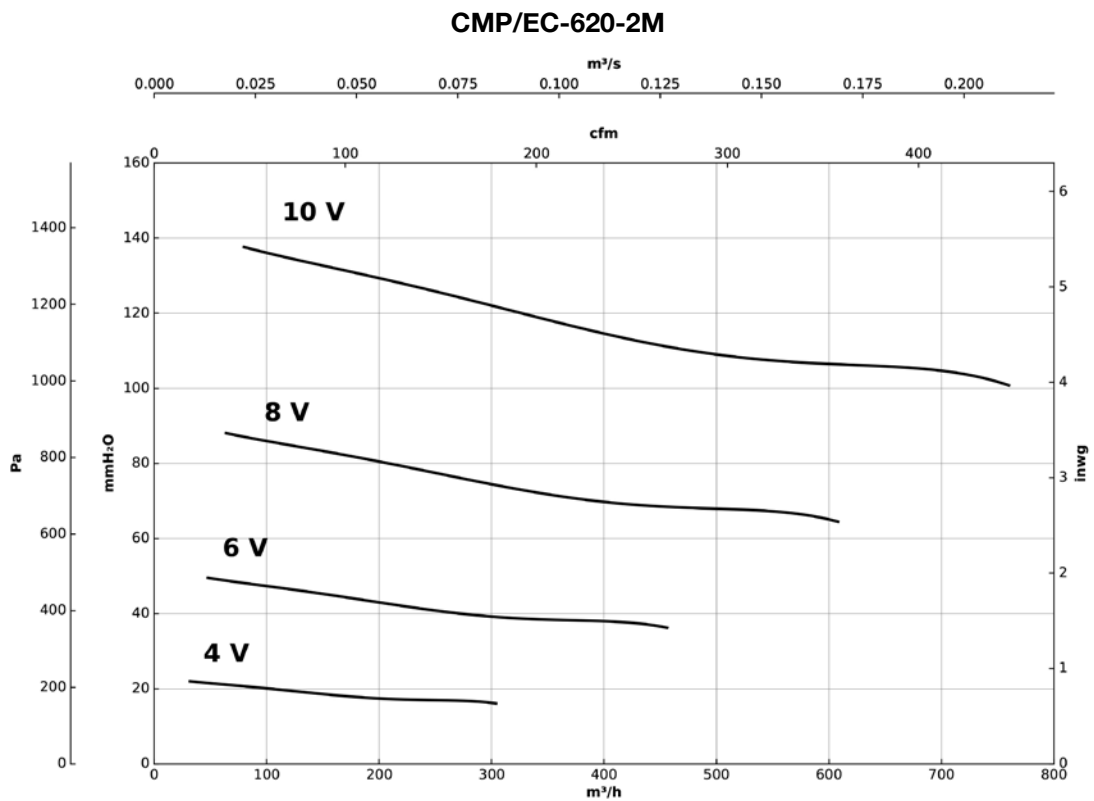
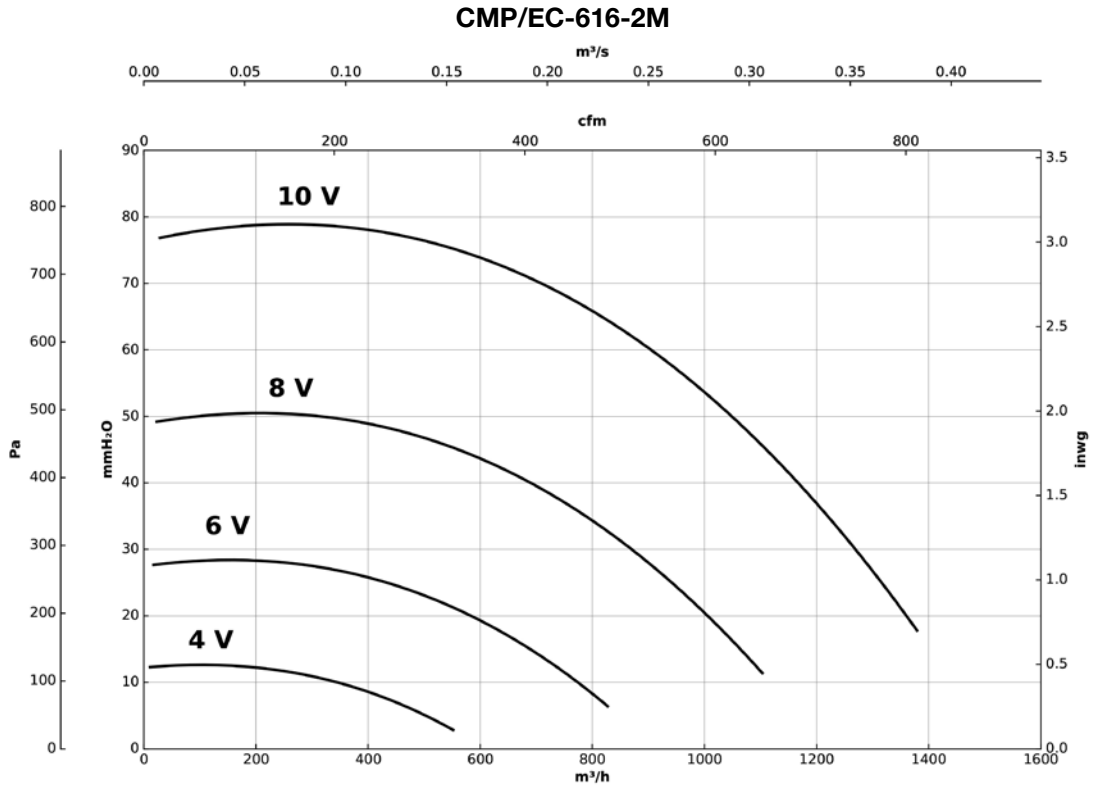


	A	B	C	C1	C2	ØD1	Ød	Ød1	Ød2	E	H	H1	I	J	J1	K	k2	L	ØO	ØO1	V	v	X	X1	Y
CMP/EC-922-4M	388.5	455	416.5	343	73.5	224	278	256	M8	180	280	134	204	282.5	128	140	180	215	9.5	10.5	290	220	114	50	105
CMP/EC-1025-4M	427	503	440.5	354.5	86	250	305	282	M8	197	310	144	229	312.5	145	165	205	250	9.5	12.5	315	228	134	74	115.5

Characteristic curves

Q= Flow rate in m³/h, m³/s and cfm

Pe= Static pressure in mm H₂O, Pa and inwg

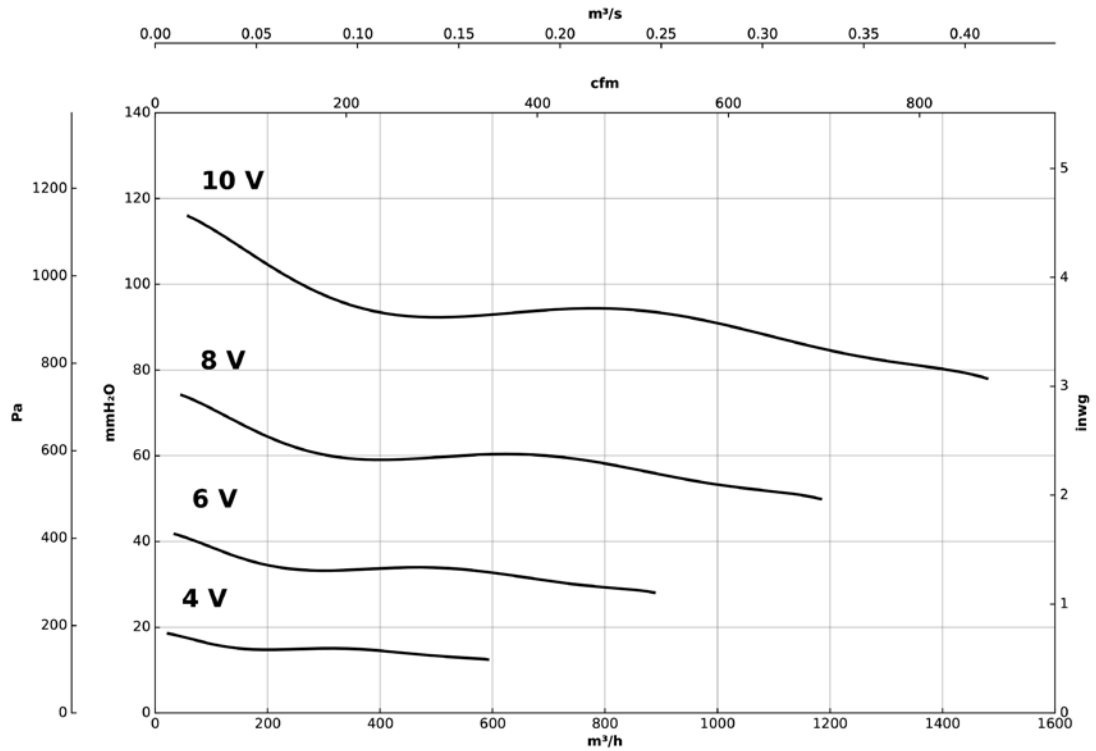


Characteristic curves

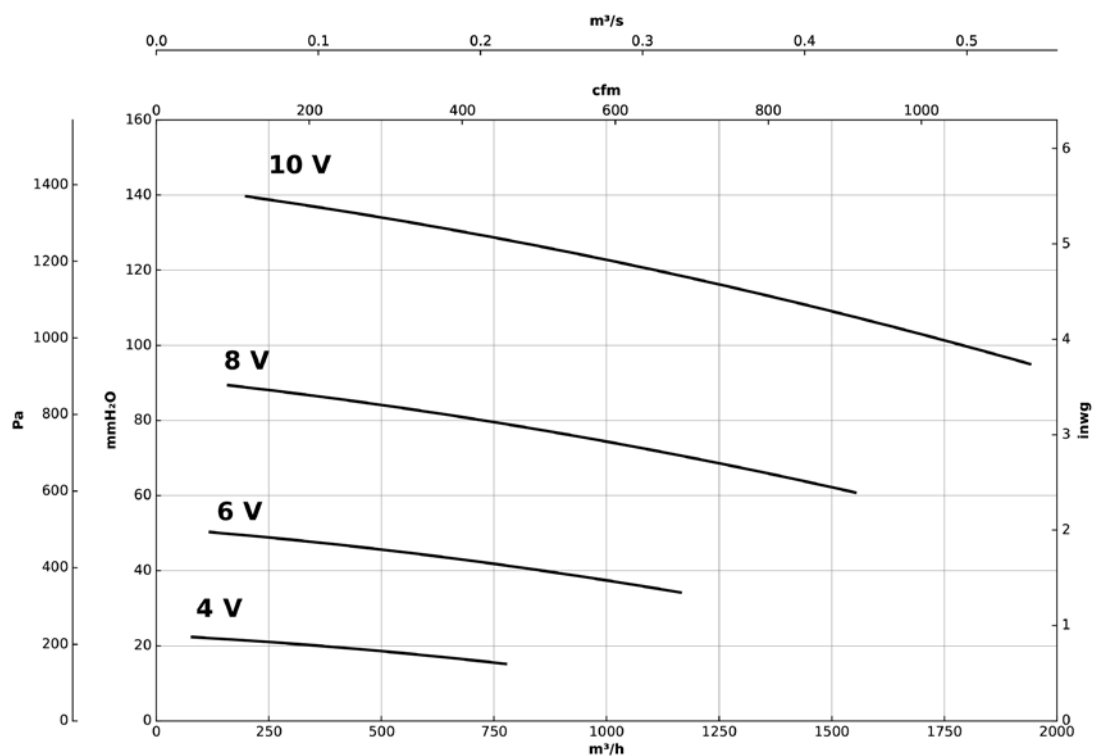
Q= Flow rate in m³/h, m³/s and cfm

Pe= Static pressure in mm H₂O, Pa and inwg

CMP/EC-718-2M



CMP/EC-820-2M

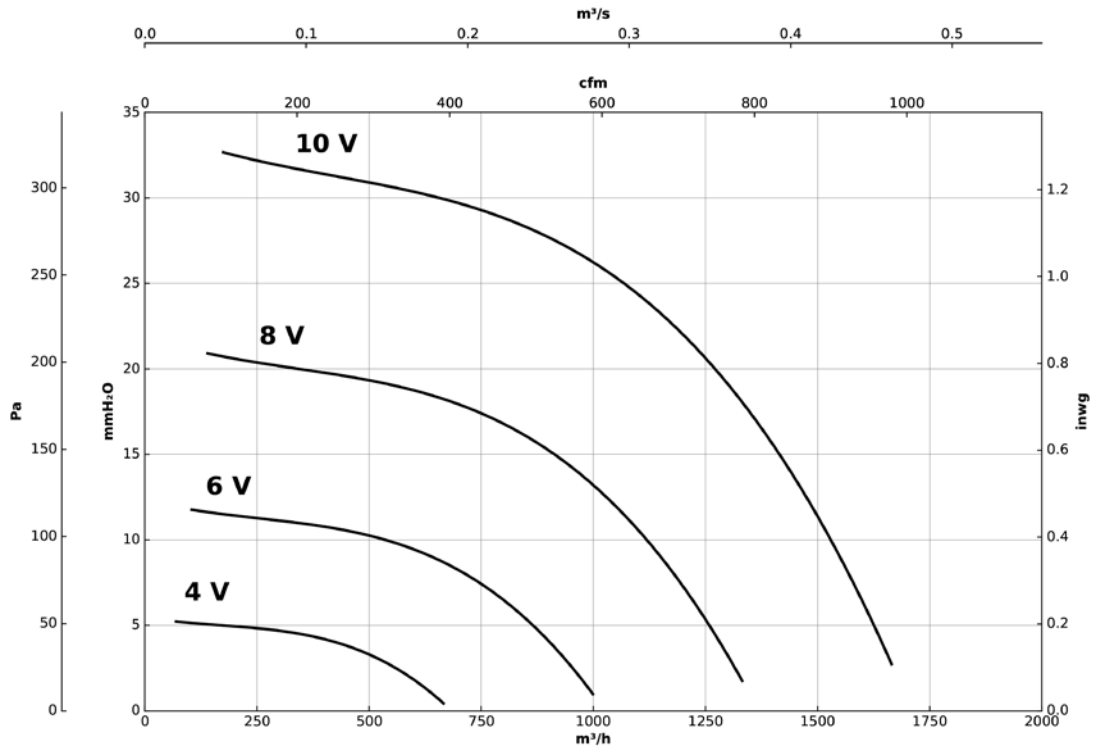


Characteristic curves

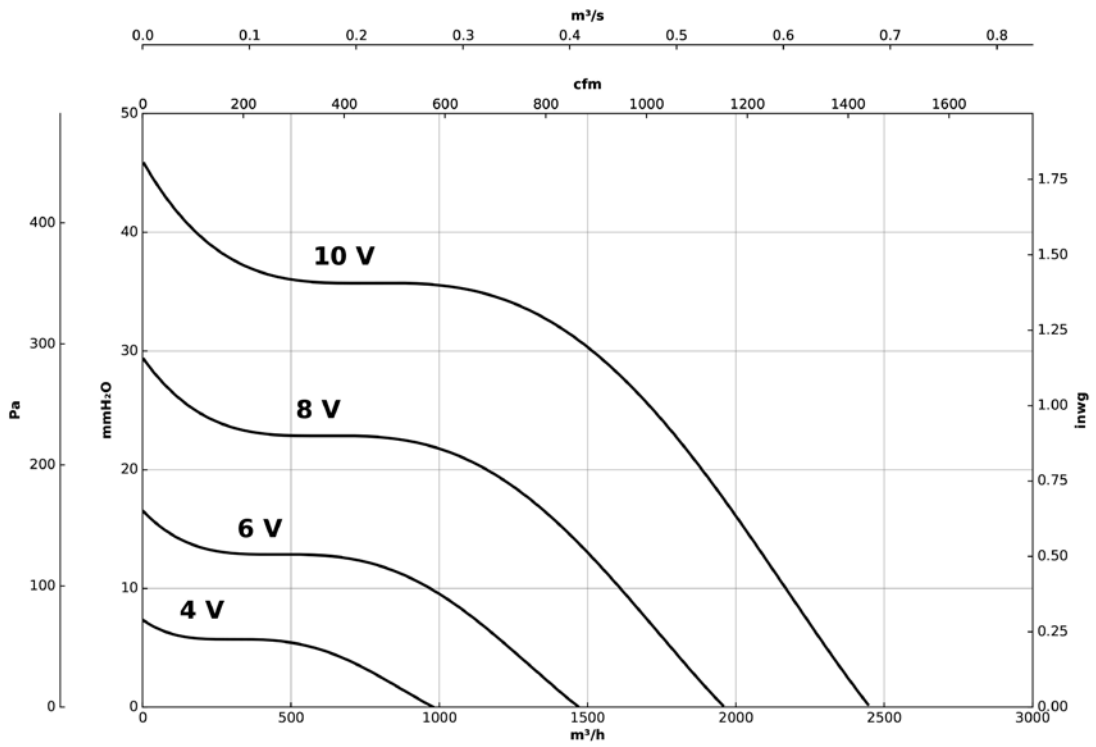
Q= Flow rate in m³/h, m³/s and cfm

Pe= Static pressure in mm H₂O, Pa and inwg

CMP/EC-820-4M



CMP/EC-922-4M

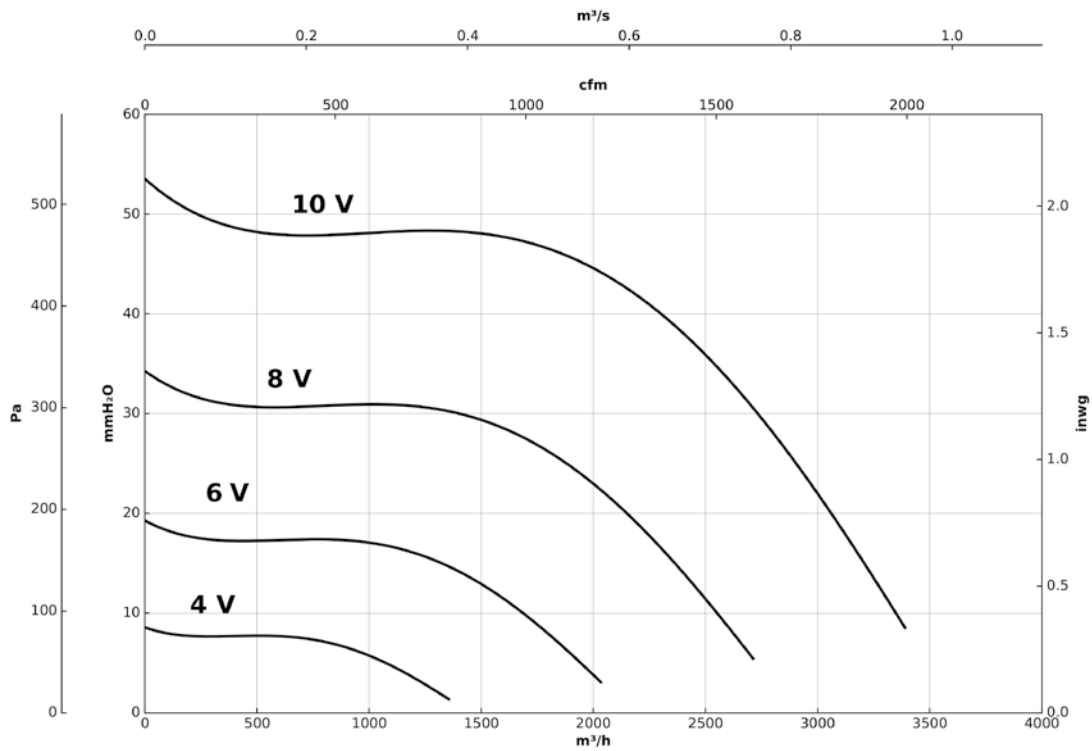


Characteristic curves

Q= Flow rate in m³/h, m³/s and cfm

Pe= Static pressure in mm H₂O, Pa and inwg

CMP/EC-1025-4M



Accessories

