

FANS FOR OVENS



**Bread, pastry
and kitchen
ovens**

**High
temperature
fans**

**Industrial
ovens**

**Extraction of
hot vapours**

FANS DESIGNED FOR HOT AIR AND
VAPOUR EXTRACT APPLICATIONS



**Fans especially designed
for hot air applications
and for extracting vapours,
especially for ovens used for
making bread, pastries and in
industrial processes**

Control

The integrated control of the entire manufacturing process allows us to offer the highest quality in products of this type.

The impellers are statically and dynamically balanced by using electronic equipment in keeping with the ISO 1940 grade G=6.3 standards. The performance parameters of the fans have been measured with exhaust pipes in accordance with the UNI 7179-73 and AMCA 210-85 standards. The operating features of our fans are tolerance class 2 in accordance with the DIN 24 166 standards and class AN3 in accordance with the ISO/CD 13348.2 standards.





For many years the company invested in the development of processes and applications aimed at manufacturing and supplying fans for all types of ovens, of the highest quality and with extremely tight deadlines in terms of their design and production.

The teamwork of our engineering department, in conjunction with universities and technological centres, and the close cooperation between the design departments of our external partners has made it possible to obtain new industrial fan solutions in a very short space of time.

During our existence, we have developed all types of fan technologies for industrial applications that are currently distributed in all parts of the planet and our objective is to carry on investing in this sector in order to continue to be one of the world's most important industrial fan manufacturers.

Robustness

Their robust construction is one of their main features.

The fans are designed and tested for their use in high temperature environments. The fan bearings have been selected to ensure a long service life, even under harsh operating conditions. The materials that are used have been especially tested to guarantee they are free of vibrations, even under harsh operating conditions.

Operating temperatures

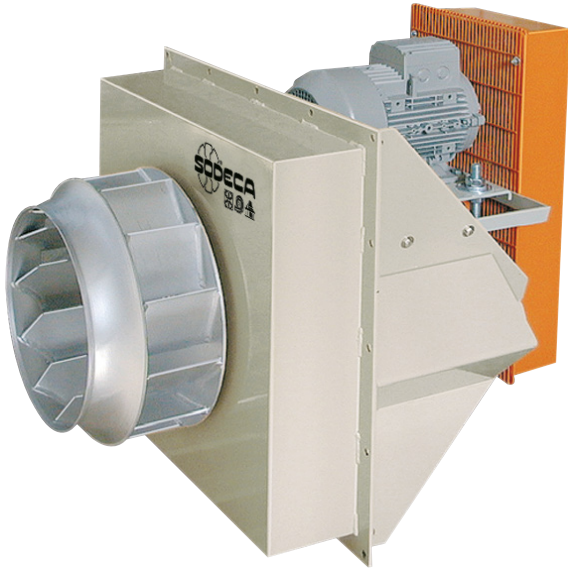
The ability to operate in high temperature environments is one of its advantages.

Depending on each series, the fans are designed to operate in temperatures between +60°C and +300°C. Special models designed to operate at temperatures up to +450°C may be manufactured upon request.

Upon request

We adapt to the requirements of each client.

Our standard fans may be manufactured in sheet steel or stainless steel sheet depending on the application or requirements of the project. Upon request, we can supply fans with different finishes or manufactured using different types of temperature resistant steel.



**Fans for ovens
and for high
temperature
applications**

**All our fans for ovens
and high temperature
applications meet high
quality design requirements
by using the best products
and materials available
on the market.**

Our fans are designed for the most stringent applications and thanks to our experience in these applications, we have designed the best fans for use in ovens.



At SODECA Group, we have specialist knowledge in the design and manufacture of fans and their accessories for applications in industrial furnaces. Our decades of experience, combined with the technological know-how of engineers in the Sodeca group, has made us one of the best manufacturers of oven fans in the world.

Fan design

- Motors with Flange B-5 or bracket B-3 with IE3 efficiency and with a long shaft depending on the application.
- Insulated Class H motors.
- C-3 high-quality bearings with grease for high temperatures.
- Viton O-rings.
- Installation of 1 or 2 cooling impellers on the shaft to dissipate heat depending on the application.
- Protective shields to prevent reaching the moving parts.
- Enclosure built using extreme robust sheet steel or stainless steel casing depending on the application.
- Insulation compartments built using high quality materials to prevent temperature loss in the different applications.
- High efficiency and quality impellers, sized and designed for high temperature applications.

Fans for ovens

FANS FOR BREAD AND PASTRY OVENS



8

SDECB/M

Centrifugal fans especially designed for extracting hot air at a max. temperature of 80 °C and water vapour from extract hoods with a vertical air outlet.

Especially designed for bread and pastry ovens as well as industrial ovens.



10

SDECB/O

Centrifugal fans built in INOX, specially designed for the extraction of hot air max. 80 °C and water vapors in extraction hoods, with horizontal air outlet.

Specially designed for bakery and pastry ovens and surface treatment ovens.



11

SDBP/F

Centrifugal fans built in INOX, specially designed for the extraction of hot air max. 80 °C and water vapors in extraction hoods, with horizontal air outlet.

Specially designed for bakery and pastry ovens and surface treatment ovens.



12

SDBP/M INOX

Centrifugal fans built in INOX, specially designed for the extraction of hot air max. 80 °C and water vapors in extraction hoods, with vertical air outlet.

Specially designed for bakery and pastry ovens and surface treatment ovens.



13

SDECB/MGC

Centrifugal fans especially designed for recirculating hot air in ovens at a max. temperature of 300°C.

Especially designed for bread and pastry ovens as well as industrial ovens.



14

SDECB/Z

Centrifugal fans especially designed for extracting hot air at a max. temperature of 300 °C from extract hoods with a vertical air outlet.

Especially designed for bread and pastry ovens as well as industrial ovens.



16

SDLM/F

Centrifugal fans especially designed for extracting hot air from ovens at a max. temperature of 300°C and a horizontal air outlet.

Especially designed for bread and pastry ovens as well as industrial ovens.



FANS FOR INDUSTRIAL OVENS



18

CMRH

Belt driven fans, equipped with electric motor, set of pulleys, belts and protectors standardized according to ISO-13857 standard and 150 mm mineral fiber insulated box, for horizontal work.



23

CMSH

Medium pressure centrifugal fans, equipped with a backward curved impeller and a heat insulated box with mineral fiber.



27

CMPH

Centrifugal medium pressure fans, equipped with a forward curved impeller and a heat insulated box with mineral fiber.



34

HPX

Tubular axial fans with external motors.



37

HBA

Forked tubular axial fans with motors outside the airflow.

SDECB/M

Centrifugal fans especially designed for extracting hot air at a max. temperature of 80 °C and water vapour from extract hoods with a vertical air outlet

Especially designed for bread and pastry ovens as well as industrial ovens



Fan:

- Sheet steel casing.
- Forward curved impeller in galvanized sheet steel.
- Directly coupled motor with B-5 flange.

Motor:

- Motors with IE3 efficiency for powers equal to or greater than 0.75kW, except single-phase, 2-speed and 8-pole.
- IP55 protection.
- Three-phase 230/400 V 50 Hz (up to 4 kW) and 400/690 V 50 Hz (powers greater than 4 kW).
- Maximum temperature of air to be carried: -25 °C +80 °C.

Finishing:

- Anticorrosive with temperature resistant anticaloric paint, aluminum color.

On request:

- Special windings for different voltages.
- Stainless steel fan.



On request: stainless steel fan

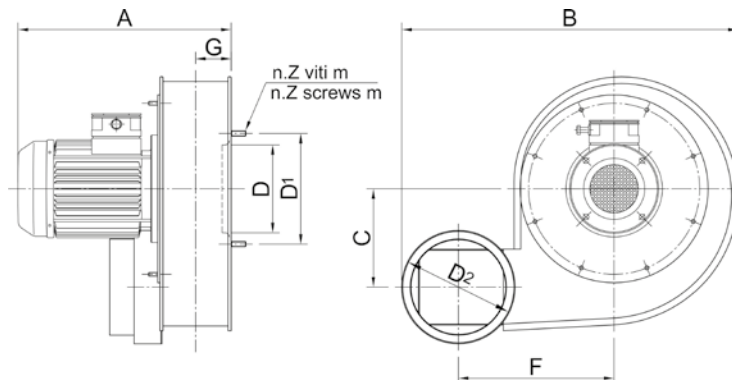
Characteristics

MOD.	kW	r.p.m	dB/A	CAPACITY (m ³ /s)												
				0.017	0.03	0.06	0.07	0.08	0.1	0.12	0.13	0.16	0.17	0.18	0.2	0.23
SDECB/M-160-2T-0.5	0.37	2800	60					35	36	37	38	39	40	40	37	35
SDECB/M-160-4T-0.33	0.25	1350	49	9	9	10	10	9	8	7						
SDECB/M-230-4T-0.33	0.25	1350	58					28	29	29	30	31	30	29	28	27
SDECB/M-230-6T-0.33	0.25	890	49				14	15	15	15	16	15	15	14	13	

MOD.	kW	r.p.m	dB/A	CAPACITY (m ³ /s)												
				0.18	0.2	0.23	0.27	0.3	0.33	0.38	0.42	0.47	0.53	0.58	0.67	
SDECB/M-250-4T-0.5	0.37	1350	60			40	42	43	44	45	45	40	35			
SDECB/M-300-4T-0.5	0.37	1350	65					47	49	50	50	51	50	48	43	
SDECB/M-300-6T-0.33	0.25	890	49	20	20	22	23	24	24	23	22					

Flow margin ±5%
Noise level margin +3...5 db

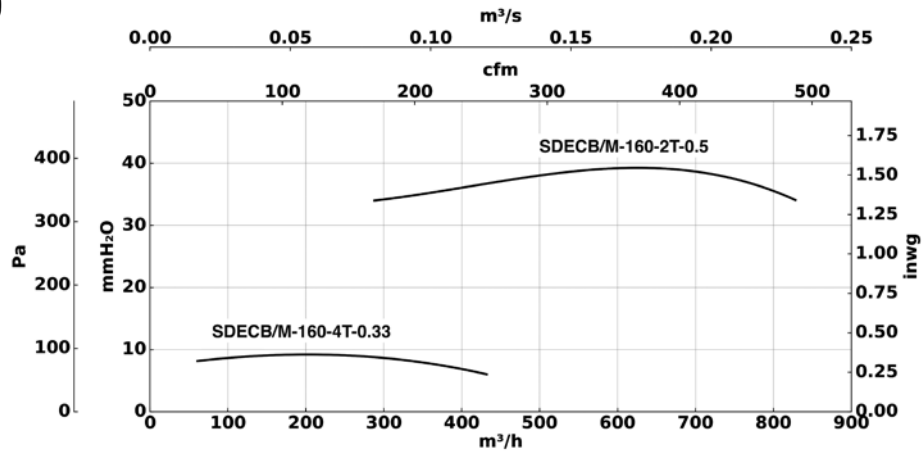
Dimensions mm



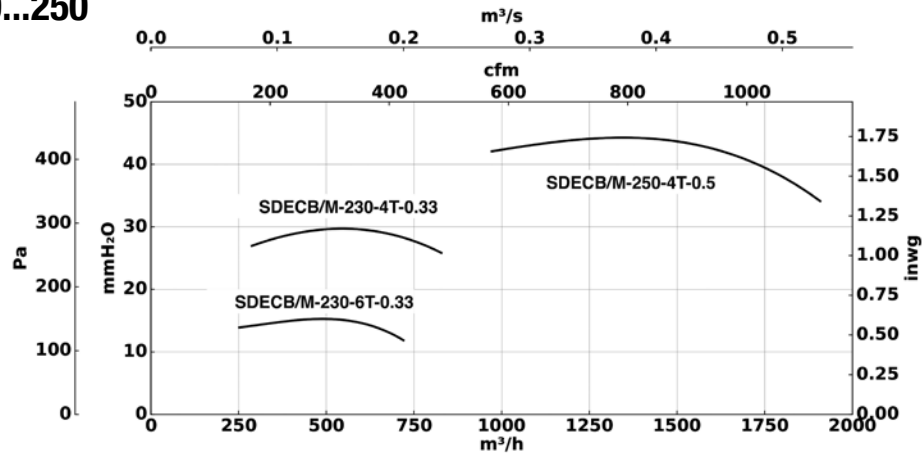
MOD.	FRAME	kW	r.p.m	A	B	C	F	G	D	D1	m	n.Z	D2	Kg
SDECB/M-160-2T-0.5	71A2	0.37	2800	330	400	120	173	59	128	220	M5	6	137	10
SDECB/M-160-4T-0.33	71A4	0.25	1350	330	400	120	173	59	128	220	M5	6	137	10
SDECB/M-230	71A4	0.25	1350	295	500	150	227	53	130	165	M8	6	160	15
SDECB/M-250-4T-0.5	71B4	0.37	1350	400	540	170	238	60	145	195	M8	6	176	18
SDECB/M-300-4T-0.5	71B4	0.37	1350	435	665	200	285	82	192	250	M8	6	250	20
SDECB/M-300-6T-0.33	71B6	0.25	890	435	665	200	285	82	192	250	M8	6	250	20

Characteristic curves

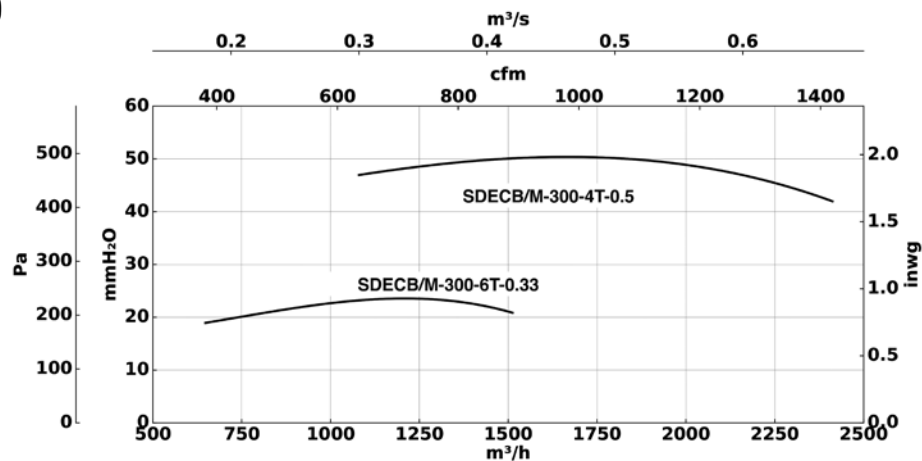
SDECB/M 160



SDECB/M 230...250



SDECB/M 300



Total pressure

Flow margin ± 5 %

Noise level margin +3...5 db

Margin of kW absorbed ± 3%

SDECB/O

Centrifugal fans built in INOX, specially designed for the extraction of hot air max. 80 °C and water vapors in extraction hoods, with horizontal air outlet

Specially designed for bakery and pastry ovens and surface treatment ovens



- Fan:
- Sheet steel casing.
 - Forward curved impeller in sheet steel.
 - Directly coupled motor with B-5 flange.

- Motor:
- Motors with IE3 efficiency for powers equal to or greater than 0.75kW, except single-phase, 2-speed and 8-pole.
 - IP55 protection.
 - Three-phase 230/400 V 50 Hz (up to 4 kW) and 400/690 V 50 Hz (powers greater than 4 kW).
 - Maximum temperature of air to be carried: -25 °C +80 °C.

- Finishing:
- Anticorrosive with temperature resistant anticaloric paint, aluminum color.

- On request:
- Special windings for different voltages.
 - INOX 304 stainless steel fan.



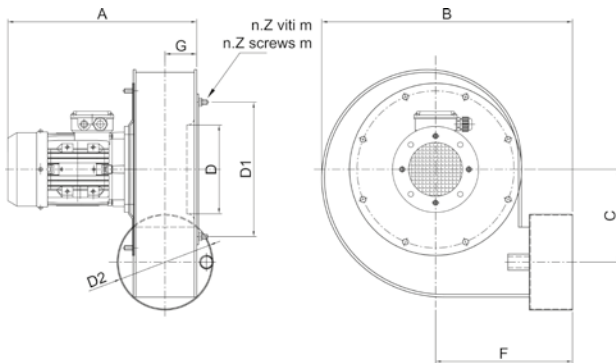
Upon request: fan support flange

Characteristics

MOD.	kW	r.p.m	dB/A	CAPACITY (m³/s)											
				0.23	0.27	0.3	0.33	0.38	0.42	0.47	0.53	0.58	0.67		
SDECB/O-250-4T-0.5	0.37	1350	60	40	42	43	44	45	45	40	35				
SDECB/O-300-4T-0.5	0.37	1350	65			47	49	50	50	51	50	48	43		

Flow margin +5%
Noise level margin +3...5 db

Dimensions mm

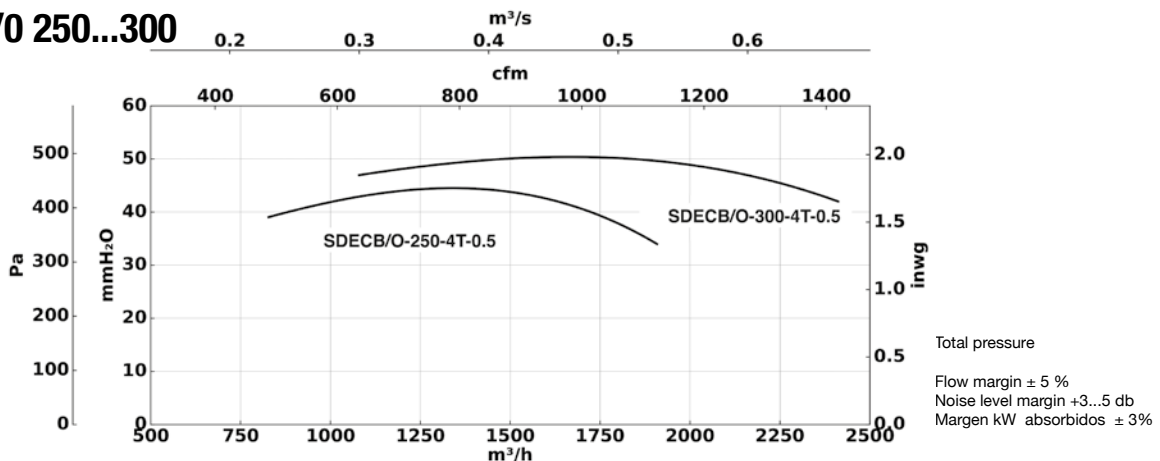


MOD.	kW	r.p.m	A	B	C	F	G
SDECB/O-250-4T-0.5	0.37	1350	352	466	173	255	60
SDECB/O-300-4T-0.5	0.37	1350	402	575	202	322	83

MOD.	D	D1	m	n.Z	D2	Kg
SDECB/O-250-4T-0.5	165	250	M8	6	178	16
SDECB/O-300-4T-0.5	190	250	M8	6	241	18

Characteristic curves

SDECB/O 250...300



SDBP/F

Centrifugal fans built in INOX, specially designed for the extraction of hot air max. 80 °C and water vapors in extraction hoods, with horizontal air outlet



Specially designed for bakery and pastry ovens and surface treatment ovens



Fan:

- Stainless steel sheet casing.
- Forward curved impeller in stainless steel sheet.
- Directly coupled motor with B-5 flange.

Motor:

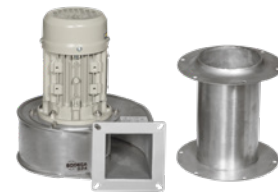
- Motors with IE3 efficiency for powers equal to or greater than 0.75kW, except single-phase, 2-speed and 8-pole.
- IP55 protection.
- Three-phase 230/400 V 50 Hz (up to 4 kW) and 400/690 V 50 Hz (powers greater than 4 kW).
- Maximum temperature of air to be carried: -25 °C +80 °C.

Finishing:

- Made of stainless steel sheet.

On request:

- Special windings for different voltages.
- Painted steel fan.



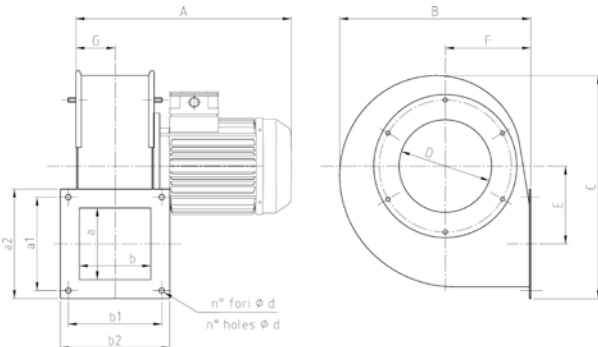
Upon request fan support flange

Characteristics

MOD.	kW	r.p.m	dB/A	CAPACITY (m ³ /s)										
				0.008	0.017	0.03	0.06	0.07	0.08	0.1	0.12	0.13	0.16	0.17
TOTAL PRESSURE (mm H ₂ O)														
SDBP/F-100-2T-0.25	0.18	2680	58			30	32	33	34	35	36	36	30	24
SDBP/F-100-4T-0.25	0.18	1340	48	6	6	7	7	8	7					

Flow margin ±5%
Noise level margin +3...5 db

Dimensions mm



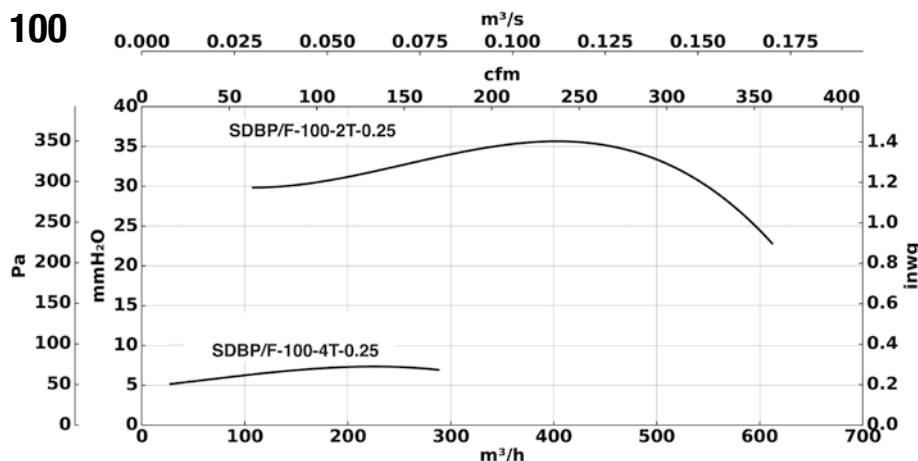
MOD.	kW	r.p.m	A	B	C	E	F
SDBP/F-100-2T-0.25	0.18	2680	260	220	251	92	102
SDBP/F-100-4T-0.25	0.18	1340	260	220	251	92	102

MOD.	G	D	a x b	a1	b1	a2	b2
SDBP/F-100-2T-0.25	48	155	86 X 86	110	110	130	130
SDBP/F-100-4T-0.25	48	155	86 X 86	110	110	130	130

MOD.	n°	d	Kg
SDBP/F-100-2T-0.25	4	7	6.45
SDBP/F-100-4T-0.25	4	7	6.45

Characteristic curves

SDBP/F 100



Total pressure
Flow margin ± 5 %
Noise level margin +3...5 db
Margin of kW absorbed ± 3%

SDBP/M INOX

Centrifugal fans built in INOX, specially designed for the extraction of hot air max. 80 °C and water vapors in extraction hoods, with vertical air outlet
Specially designed for bakery and pastry ovens and surface treatment ovens



- Fan:**
- Stainless steel sheet casing.
 - Forward curved impeller in stainless steel sheet.
 - Directly coupled motor with B-5 flange.

- Motor:**
- Motors with IE3 efficiency for powers equal to or greater than 0.75kW, except single-phase, 2-speed and 8-pole.
 - IP55 protection.
 - Three-phase 230/400 V 50 Hz (up to 4 kW) and 400/690 V 50 Hz (powers greater than 4 kW).
 - Maximum temperature of air to be carried: -25 °C +80 °C.

- Finishing:**
- Made of stainless steel sheet.

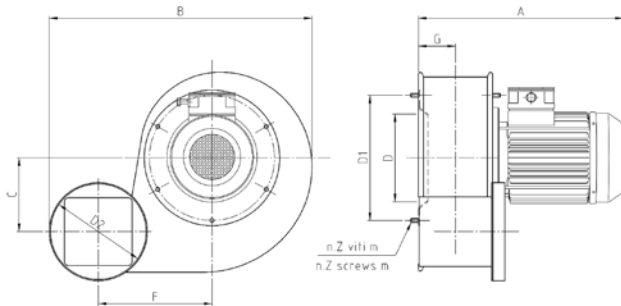
- On request:**
- Special windings for different voltages.
 - Painted steel fan.

Characteristics

MOD.	kW	r.p.m	dB/A	CAPACITY (m³/s)										
				0.008	0.017	0.03	0.06	0.07	0.08	0.1	0.12	0.13	0.16	0.17
TOTAL PRESSURE (mm H₂O)														
SDBP/M INOX-100-2T-0.25	0.18	2680	58			30	32	33	34	35	36	36	30	24
SDBP/M INOX-100-4T-0.25	0.18	1340	48	6	6	7	7	8	7					

Flow margin ±5%
 Noise level margin +3...5 db

Dimensions mm

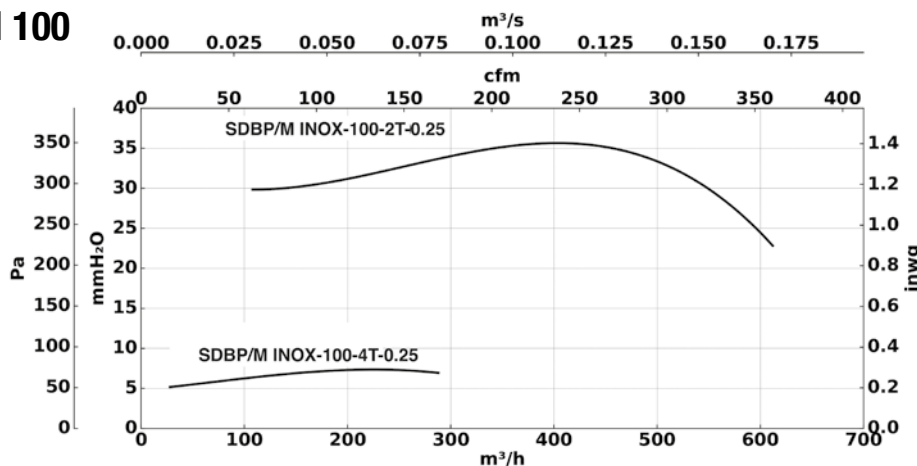


MOD.	kW	r.p.m	A	B	C	F	G
SDBP/M INOX-100-2T-0.25	0.18	2680	255	330	96	142	48
SDBP/M INOX-100-4T-0.25	0.18	1340	255	330	96	142	48

MOD.	D	D1	m	n.Z	D2	Kg
SDBP/M INOX-100-2T-0.25	110	160	M5	6	120	6.75
SDBP/M INOX-100-4T-0.25	110	160	M5	6	120	6.75

Characteristic curves

SDBP/M 100



Total pressure
 Flow margin ± 5 %
 Noise level margin +3...5 db
 Margin of kW absorbed ± 3%

SDECB/MGC

Centrifugal fans especially designed for recirculating hot air in ovens at a max. temperature of 300°C
Especially designed for bread and pastry ovens as well as industrial ovens



- Fan:**
- Sheet steel casing.
 - Forward curved impeller in galvanized sheet steel.
 - Directly coupled motor with B-5 flange.
 - With one or two cooling disk mounted on the motor shaft to dissipate the heat.

- Finishing:**
- Anticorrosive with temperature resistant anticaloric paint, aluminum color.

- On request:**
- Special windings for different voltages.
 - Stainless steel fan.

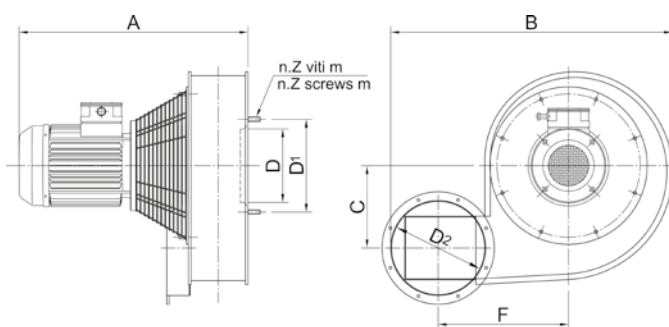
- Motor:**
- Motors with IE3 efficiency for powers equal to or greater than 0.75kW, except single-phase, 2-speed and 8-pole.
 - IP55 protection.
 - Three-phase 230/400 V 50 Hz (up to 4 kW) and 400/690 V 50 Hz (powers greater than 4 kW).
 - Maximum temperature of air to be carried: -25 °C +300 °C.

Characteristics

MOD.	kW	r.p.m	dB/A	CAPACITY (m ³ /s)							
				0.3	0.33	0.38	0.42	0.47	0.53	0.58	0.67
SDECB/MGC-300-4T-1	0.75	1350	65	47	49	50	50	51	50	48	43

Flow margin ±5%
Noise level margin +3...5 db

Dimensions mm

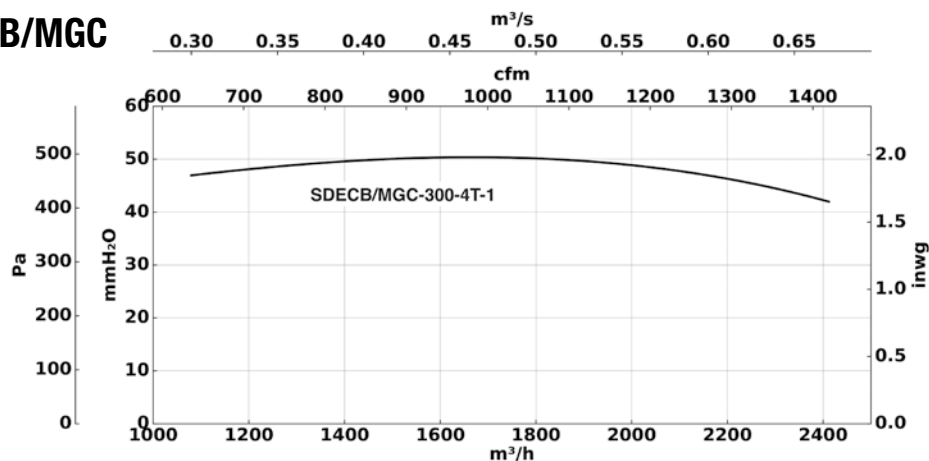


MOD.	kW	r.p.m	A	B	C	F
SDECB/MGC-300-4T-1	0.75	1350	515	665	200	285

MOD.	D	D1	m	n.Z	D2	Kg
SDECB/MGC-300-4T-1	192	250	M8	6	250	35

Characteristic curves

SDECB/MGC



Total pressure
Flow margin ± 5 %
Noise level margin +3...5 db
Margin of kW absorbed ± 3%

SDECB/Z

Centrifugal fans especially designed for extracting hot air at a max. temperature of 300 °C from extract hoods with a vertical air outlet

Especially designed for bread and pastry ovens as well as industrial ovens



- Fan:**
- Stainless steel sheet casing.
 - Forward curved impeller in galvanized sheet steel.
 - Directly coupled motor with B-5 flange.
 - With one or two cooling disk mounted on the motor shaft to dissipate the heat.

- Motor:**
- Motors with IE3 efficiency for powers equal to or greater than 0.75kW, except single-phase, 2-speed and 8-pole.
 - IP55 protection.

- Three-phase 230/400 V 50 Hz (up to 4 kW) and 400/690 V 50 Hz (powers greater than 4 kW).
- Maximum temperature of air to be carried: -25 °C +300 °C.

- Finishing:**
- Anticorrosive with temperature resistant anticaloric paint, aluminum color.

- On request:**
- Special windings for different voltages.
 - Stainless steel fan.

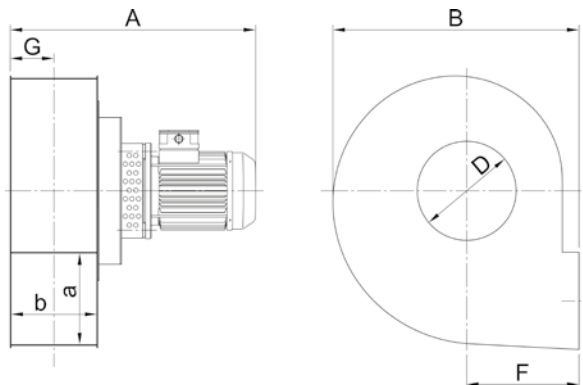
Characteristics

MOD.	kW	r.p.m	dB	CAPACITY (m³/s)																
				0.016	0.03	0.05	0.06	0.08	0.1	0.11	0.13	0.15	0.16	0.18	0.2	0.23	0.26	0.3	0.33	
				TOTAL PRESSURE (mmH ₂ O)																
SDECB/Z-160-2T-0.75	0.55	2810	75	64	62	60	60	61	62	64	66	67	67	68	68	68	67	67	63	
SDECB/Z-160-4T-0.25	0.18	1340	60	21	19	19	19	20	20	21	21	21	20							

MOD.	kW	r.p.m	dB	CAPACITY (m³/s)																		
				0.23	0.27	0.3	0.33	0.37	0.42	0.47	0.52	0.58	0.67	0.75	0.83	0.93	1.05	1.17	1.33	1.5	1.67	
				TOTAL PRESSURE (mmH ₂ O)																		
SDECB/Z-260-4T-0.75	0.55	1360	63		42	44	45	45	46	45	42	40										
SDECB/Z-280-4T-0.75	0.55	1360	64		45	46	47	48	46	45	42	40										
SDECB/Z-300-4T-0.75	0.55	1360	65		47	49	50	50	51	50	48	47										
SDECB/Z-330-4T-1.5	1.1	1380	72						65	68	70	71	71	70	69	67	65					
SDECB/Z-380-4T-3	2.2	1410	73											85	86	87	89	90	90	86	80	
SDECB/Z-400-4T-4	3	1410	74													90	90	92	95	96	100	95

Flow margin ±5% Noise level margin +3...5 db Characteristics T =15°C and 760 mmHg.

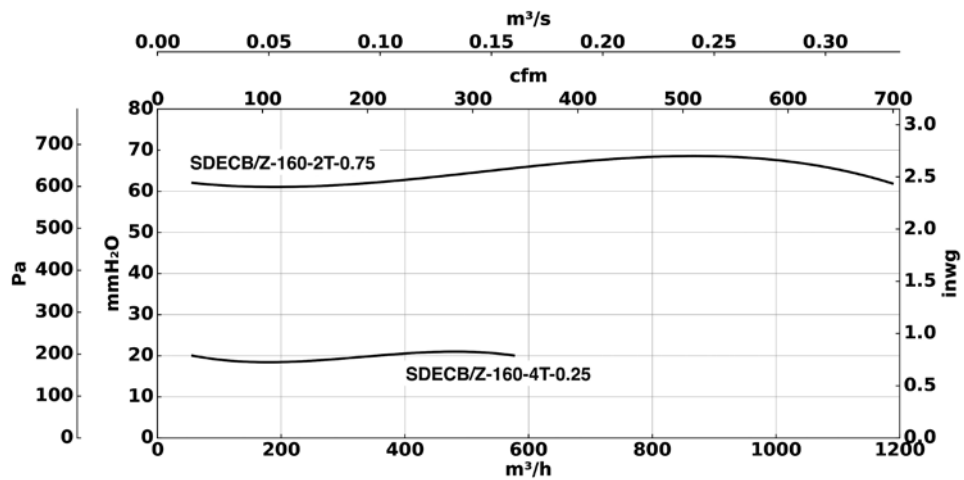
Dimensions mm



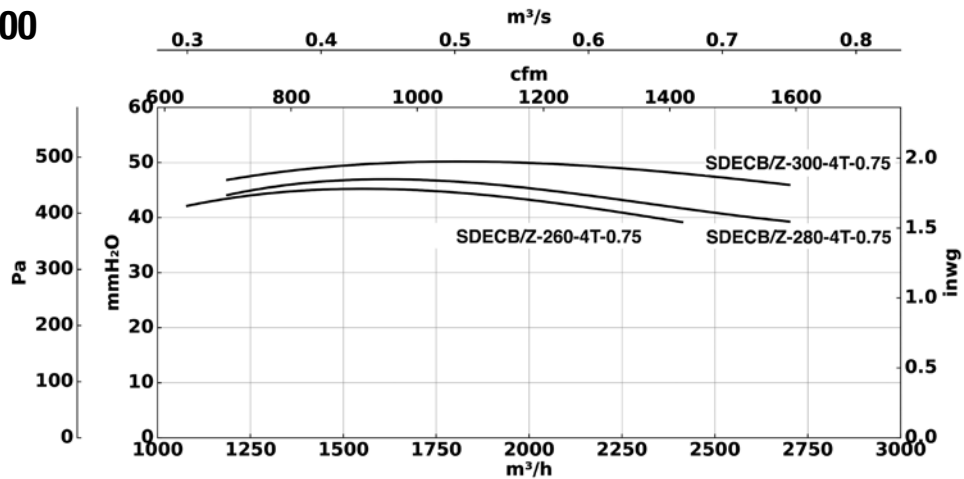
MOD.	kW	r.p.m	A	B	F	G	D	a x b	Kg
SDECB/Z-160-2T-0.75	0.55	2810	411	290	138	57	127	103 x 110	15
SDECB/Z-160-4T-0.25	0.18	1340	411	290	138	57	127	103 x 110	15
SDECB/Z-260-4T-0.75	0.55	1360	470	370	170	71	190	199 x 138	26
SDECB/Z-280-4T-0.75	0.55	1360	470	434	170	72	215	210 x 140	29
SDECB/Z-300-4T-0.75	0.55	1360	515	520	235	92	207	199 x 180	32
SDECB/Z-330-4T-1.5	1.10	1380	530	490	210	92	237	261 x 180	36
SDECB/Z-380-4T-3	2.20	1410	670	610	280	112	270	254 x 220	58
SDECB/Z-400-4T-4	3.00	1410	700	670	300	112	300	280 x 240	73

Characteristic curves

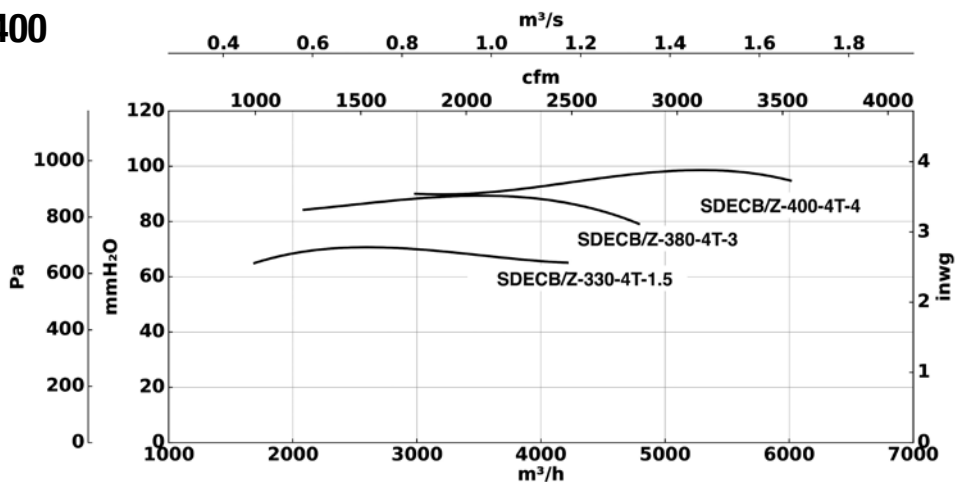
SDECB/Z 160



SDECB/Z 260...300



SDECB/Z 330...400



Total pressure

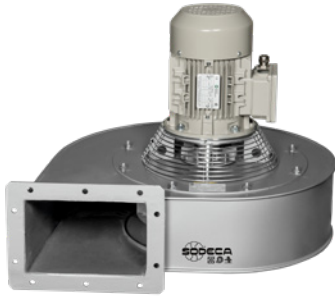
Flow margin $\pm 5\%$
 Noise level margin $+3...5$ db
 Margin of kW absorbed $\pm 3\%$

SDLM/F

Centrifugal fans especially designed for extracting hot air from ovens at a max. temperature of 300°C and a horizontal air outlet



Especially designed for bread and pastry ovens as well as industrial ovens



- Fan:**
- Sheet steel casing.
 - Forward curved impeller in galvanized sheet steel.
 - Directly coupled motor with B-5 flange.
 - With one or two cooling disks mounted on the motor shaft to dissipate the heat.

- Maximum temperature of air to be carried: -25 °C +300 °C.

- Finishing:**
- Anticorrosive with temperature resistant anticaloric paint, aluminum color.

- Motor:**
- Motors with IE3 efficiency for powers equal to or greater than 0.75kW, except single-phase, 2-speed and 8-pole.
 - IP55 protection.
 - Three-phase 230/400 V 50 Hz (up to 4 kW) and 400/690 V 50 Hz (powers greater than 4 kW).

- On request:**
- Special windings for different voltages.
 - Stainless steel fan casing.

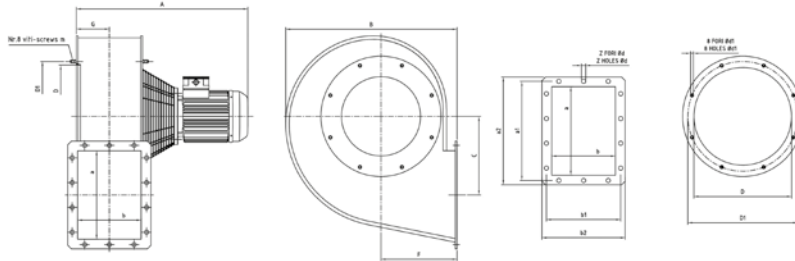
Characteristics

MOD.	kW	r.p.m	dB/A	CAPACITY (m³/s)																
				0.12	0.13	0.15	0.17	0.18	0.2	0.23	0.27	0.3	0.33	0.37	0.42	0.47	0.53	0.6	0.67	
				TOTAL PRESSURE (mmH ₂ O)																
SDLM/F-25-4T-0.75	0.55	1360	51	31	32	33	34	35	36	38	40	40	41	40	40	39	34			
SDLM/F-28-4T-1	0.75	1360	56						38	40	42	44	45	47	48	50	52	52	50	
SDLM/F-29-4T-1.5	1.1	1380	56							37	39	40	42	44	45	47	48	50		
SDLM/F-33-4T-1.5	1.1	1380	56						60	61	62	62	63	64	65	68	70	72	75	
SDLM/F-36-4T-3	2.2	1410	61										71	71	72	74	75	75	76	77
SDLM/F-39-4T-3	2.2	1410	73											84	85	86	87	89	92	95

MOD.	kW	r.p.m	dB/A	CAPACITY (m³/s)																
				0.76	0.83	0.92	1	1.17	1.33	1.5	1.67	1.83	2	2.33						
				TOTAL PRESSURE (mmH ₂ O)																
SDLM/F-28-4T-1	0.75	1360	56	45	40															
SDLM/F-29-4T-1.5	1.1	1380	56	52	50	47	40													
SDLM/F-33-4T-1.5	1.1	1380	56	76	75	73	70	60												
SDLM/F-36-4T-3	2.2	1410	61	81	82	85	89	89	90	87	81	72	65							
SDLM/F-39-4T-3	2.2	1410	73	97	100	102	105	113	115	118	119	118	118	113						

Flow margin ±5%
Noise level margin +3...5 db

Dimensions mm

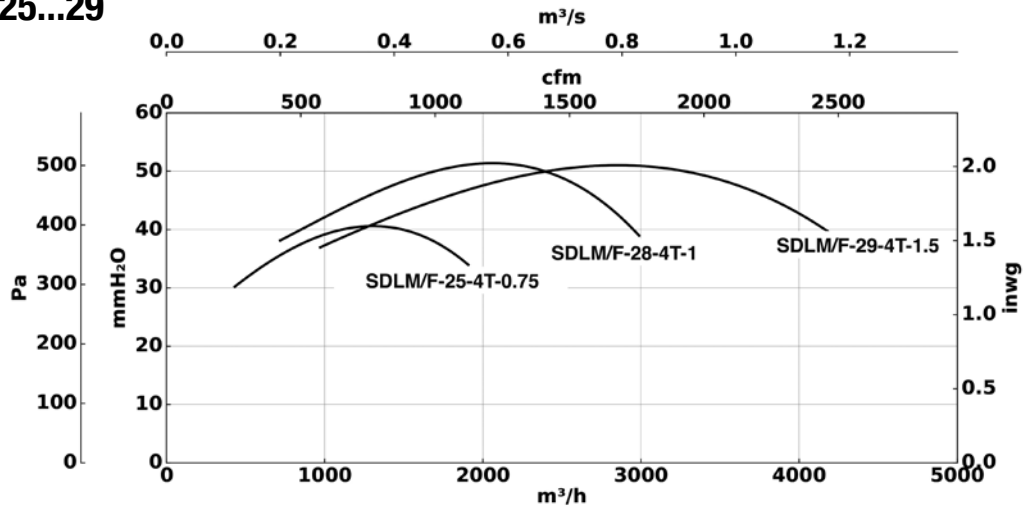


MOD.	kW	r.p.m	A	B	C	F	G	D	D1	m	a x b	Kg
SDLM/F-25-4T-0.75	0.55	1360	520	430	175	190	82	260	280	M6	225 x 160	28
SDLM/F-28-4T-1	0.75	1360	545	485	222	215	94	290	310	M8	250 x 180	30
SDLM/F-29-4T-1.5	1.1	1380	560	485	222	215	94	290	310	M8	250 x 180	35
SDLM/F-33-4T-1.5	1.1	1380	580	570	255	250	104	350	370	M8	296 x 200	50
SDLM/F-36-4T-3	2.2	1410	635	570	255	250	104	380	405	M8	296 x 200	60
SDLM/F-39-4T-3	2.2	1410	635	680	308	300	129	400	430	M8	356 x 250	90

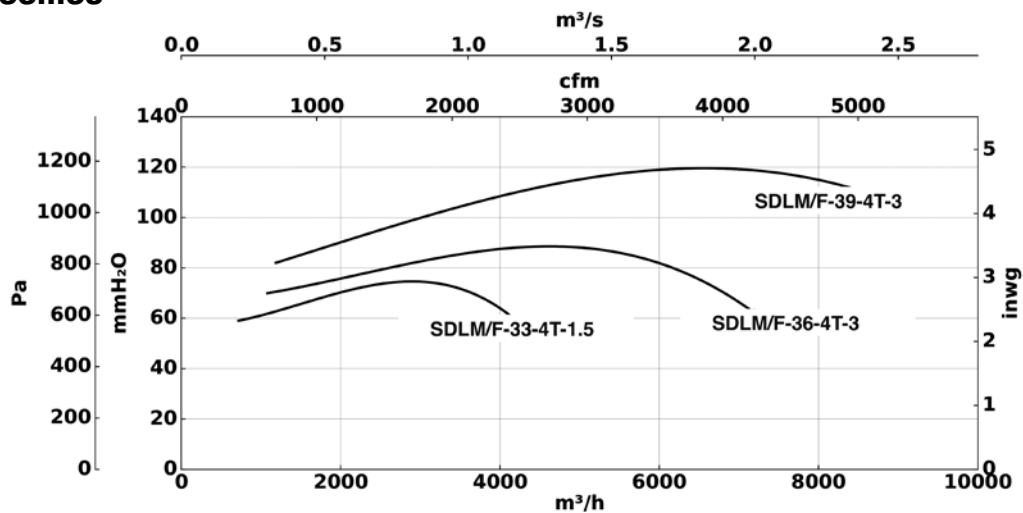
OUTLET NOZZLE								
MOD.	a x b	a1	b1	a2	b2	Z	d	d1
SDLM/F-25-4T-0.75	226 x 161	251	186	276	211	10	12	8
SDLM/F-28-4T-1	254 x 185	280	210	304	235	14	12	10
SDLM/F-29-4T-1.5	254 x 185	280	210	304	235	14	12	10
SDLM/F-33-4T-1.5	299 x 205	325	230	349	255	14	12	10
SDLM/F-36-4T-3	299 x 205	325	230	349	255	14	12	10
SDLM/F-39-4T-3	361 x 255	395	285	431	325	14	12	10

Characteristic curves

SDLM/F 25...29



SDLM/F 33...39



Total pressure

Flow margin ± 5 %
 Noise level margin +3...5 db
 Margin of kW absorbed ± 3%

CMRH



Belt driven fans, equipped with electric motor, set of pulleys, belts and protectors standardized according to ISO-13857 standard and 150 mm mineral fiber insulated box, for horizontal work



Fan:

- Structure in thick sheet steel.
- Backward curved impeller in highly robust sheet steel.
- Transmission group with cast iron bearings and support.

Motor:

- Motors with IE3 efficiency for powers equal to or greater than 0.75kW, except single-phase, 2-speed and 8-pole.
- Class F motors with ball bearings and IP55 protection.
- Three-phase 230/400 V 50 Hz (up to 4 kW) and 400/690 V 50 Hz (powers greater than 4 kW).
- Maximum temperature of air to be carried: -20 °C +300 °C.

Finishing:

- Treatment with anticaloric paint.

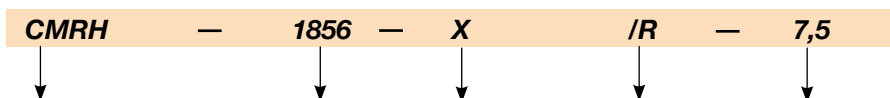
On request:

- Special windings for different voltages.
- Refractory steel fan for temperatures up to 400 °C.
- Execution for vertical work.



External greasers for ease of maintenance

Order code



CMRH: Belt driven fans, equipped with electric motor, set of pulleys, belts and protectors standardized according to ISO-13857 standard and 150 mm mineral fiber insulated box, for horizontal work

Impeller size

Belt-driven

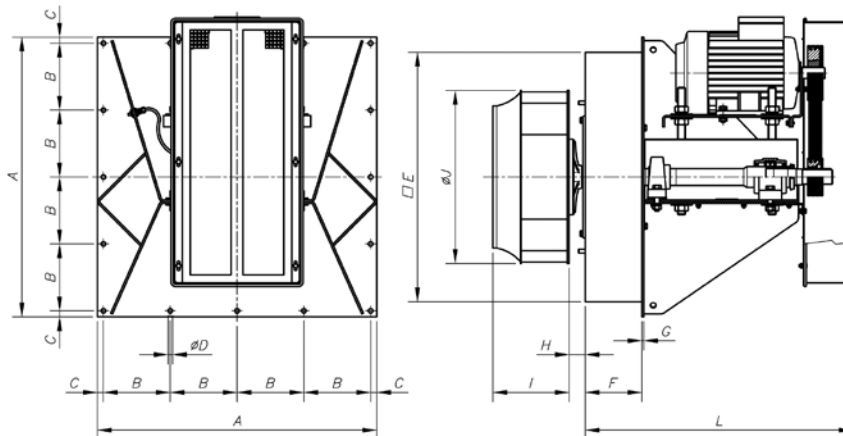
Fitted with cooling impeller

Motor power (HP)

Technical characteristics

Model	Speed (r/min)	Maximum admissible current (A)			Installed power (kW)	Maximum flow rate (m³/h)	Sound pressure level dB(A)	Approx. weight (Kg)
		230V	400V	690V				
CMRH-1445-X/R-3 IE3	1700	7.93	4.56		2.20	9620	79	204
CMRH-1445-X/R-4 IE3	1910	10.70	6.15		3.00	10810	81	212
CMRH-1445-X/R-5.5 IE3	2120	13.90	8.00		4.00	12000	83	228
CMRH-1650-X/R-4 IE3	1530	10.70	6.15		3.00	9910	80	217
CMRH-1650-X/R-5.5 IE3	1720	13.90	8.00		4.00	11140	82	233
CMRH-1650-X/R-7.5 IE3	1910		10.30	5.97	5.50	12370	84	273
CMRH-1856-X/R-5.5 IE3	1365	13.90	8.00		4.00	14210	79	243
CMRH-1856-X/R-7.5 IE3	1535		10.30	5.97	5.50	15980	81	283
CMRH-1856-X/R-10 IE3	1705		13.90	8.06	7.50	17780	83	273
CMRH-2063-X/R-7.5 IE3	1365		10.30	5.97	5.50	22860	82	288
CMRH-2063-X/R-10 IE3	1515		13.90	8.06	7.50	25370	84	278
CMRH-2063-X/R-15 IE3	1700		20.90	12.10	11.00	28470	86	305
CMRH-2271-X/R-15 IE3	1370		20.90	12.10	11.00	32300	87	350
CMRH-2271-X/R-20 IE3	1540		27.90	16.20	15.00	36300	90	375
CMRH-2380-X/R-25 IE3	1280		35.10	20.30	18.50	43885	83	405
CMRH-2380-X/R-30 IE3	1365		41.00	23.80	22.00	46800	85	422

Dimensions mm

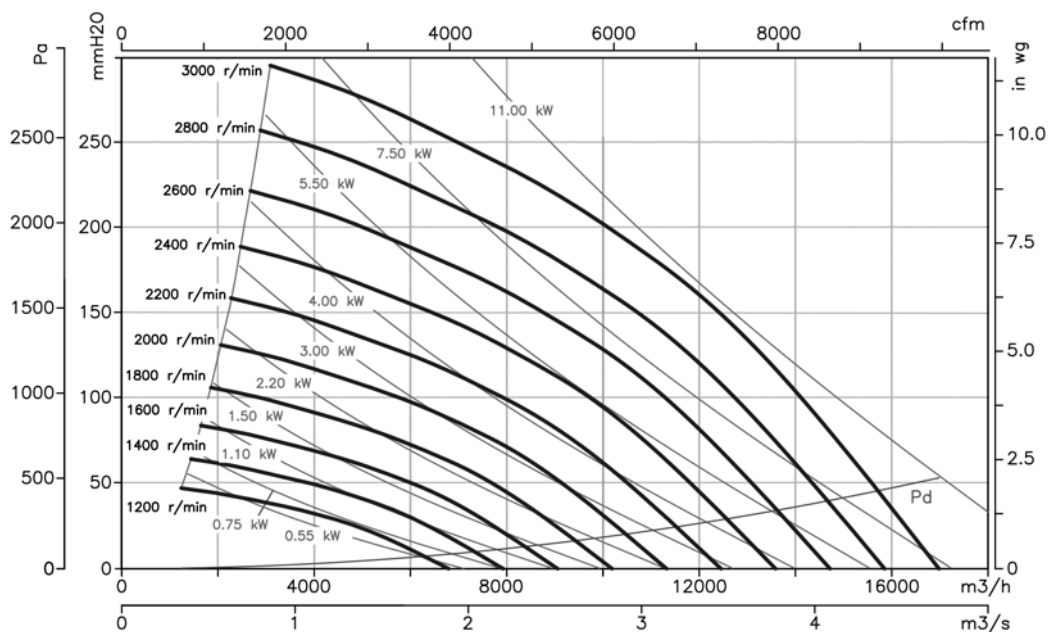


	A	B	C	øD	E	F	G	H	I	øJ	L
CMRH-1445-X/R-3	740	177	16	12	660	150	5	43	202	458	710
CMRH-1445-X/R-4	740	177	16	12	660	150	5	43	202	458	710
CMRH-1445-X/R-5'5	740	177	16	12	660	150	5	43	202	458	710
CMRH-1650-X/R-4	740	177	16	12	660	150	5	43	224	508	710
CMRH-1650-X/R-5'5	740	177	16	12	660	150	5	43	224	508	710
CMRH-1650-X/R-7'5	740	177	16	12	660	150	5	43	224	508	710
CMRH-1856-X/R-4	800	192	16	12	720	150	5	43	245.5	573	816
CMRH-1856-X/R-5'5	800	192	16	12	720	150	5	43	245.5	573	816
CMRH-1856-X/R-7'5	800	192	16	12	720	150	5	43	245.5	573	816
CMRH-2063-X/R-7'5	800	192	16	12	720	150	5	43	274	644	816
CMRH-2063-X/R-10	800	192	16	12	720	150	5	43	274	644	816
CMRH-2063-X/R-15	800	192	16	12	720	150	5	43	274	644	816
CMRH-2271-X/R-15	970	233	20	14	870	150	5	43	295	719	817
CMRH-2271-X/R-20	970	233	20	14	870	150	5	43	295	719	817
CMRH-2380-X/R-25	970	232.5	20	14	870	150	5	53.5	400	810	902
CMRH-2380-X/R-30	970	232.5	20	14	870	150	5	53.5	400	810	902

Characteristic curves

Q= Flow rate in m³/h, m³/h and cfm Pe= Static pressure in mm H₂O, Pa and inwg

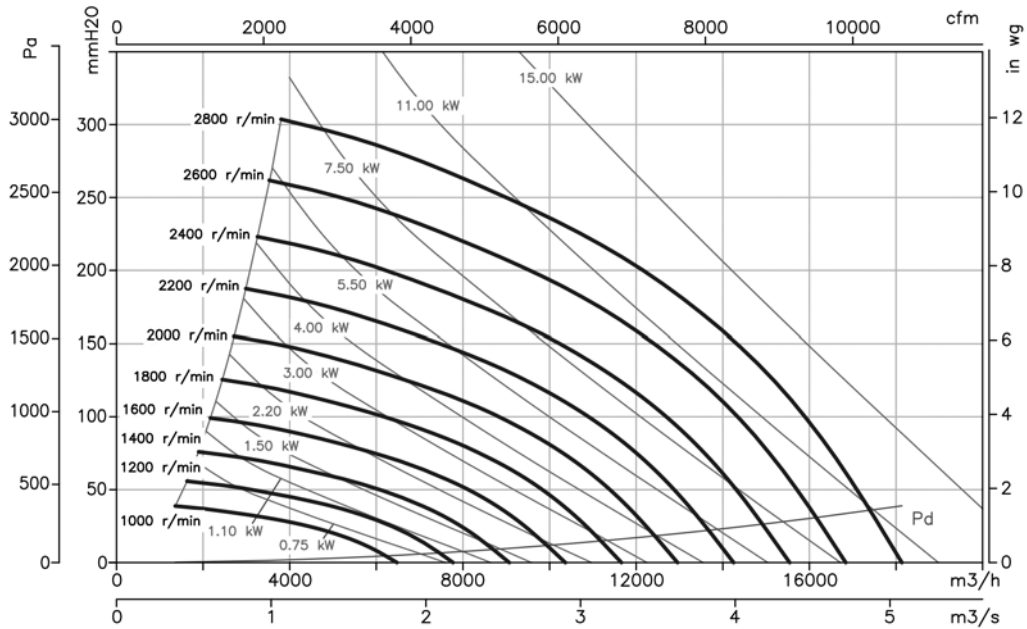
CMRH 1445



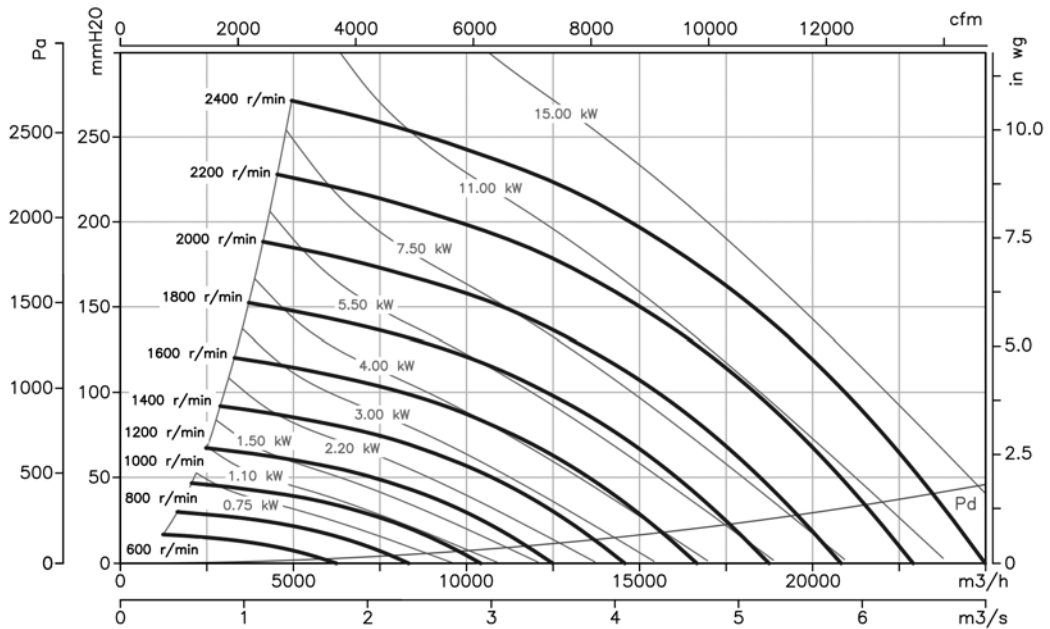
Characteristic curves

Q= Flow rate in m³/h, m³/h and cfm Pe= Static pressure in mm H₂O, Pa and inwg

CMRH 1650



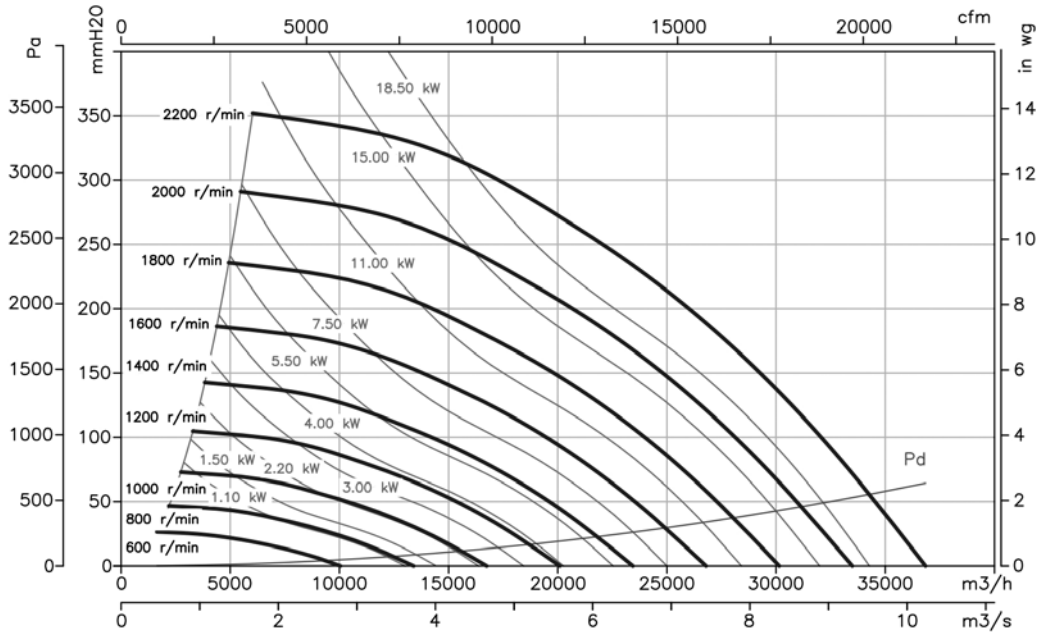
CMRH 1856



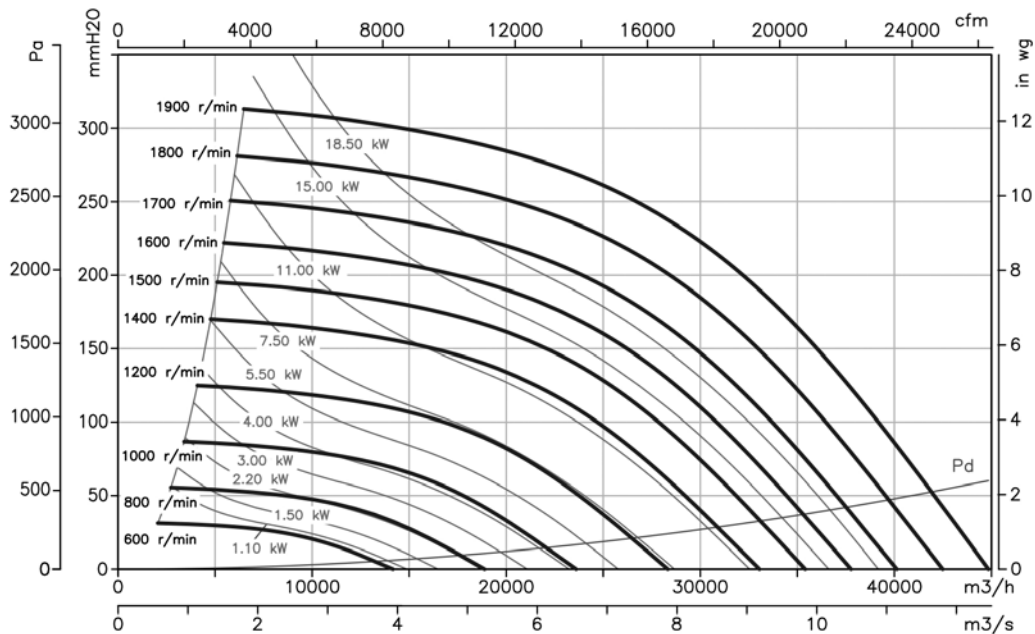
Characteristic curves

Q= Flow rate in m³/h, m³/h and cfm Pe= Static pressure in mm H₂O, Pa and inwg

CMRH 2063



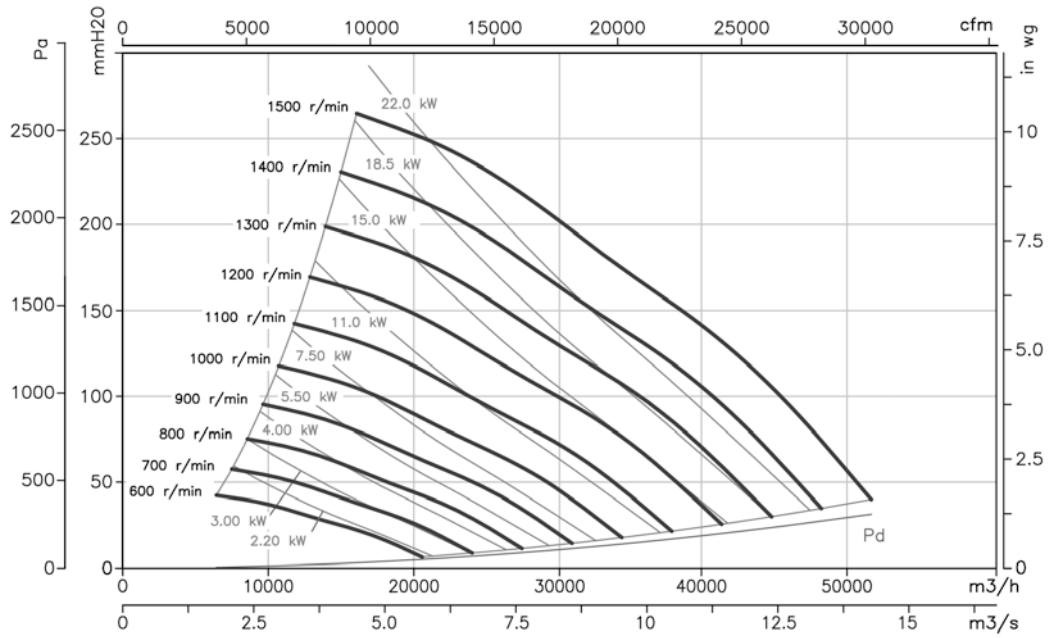
CMRH 2271



Characteristic curves

Q= Flow rate in m³/h, m³/h and cfm Pe= Static pressure in mm H₂O, Pa and inwg

CMRH 2380



Accessories



CMSH

Medium pressure centrifugal fans, equipped with a backward curved impeller and a heat insulated box with mineral fiber



Fan:

- Sheet steel structure.
- Backward curved impeller made of sheet steel.
- Heat resistant compartment with high density mineral fiber and great thermal and acoustic insulation.
- With 30 mm thick mineral fibre.

Motor:

- Motors with IE3 efficiency for powers equal to or greater than 0.75kW, except single-phase, 2-speed and 8-pole.
- Class F motors with ball bearings and IP55 protection.
- Three-phase 230/400 V 50 Hz (up to 4 kW) and 400/690 V 50 Hz (powers greater than 4 kW).
- Maximum temperature of air to be carried: -20 °C +250 °C.

Finishing:

- Treatment with anticorrosive paint.

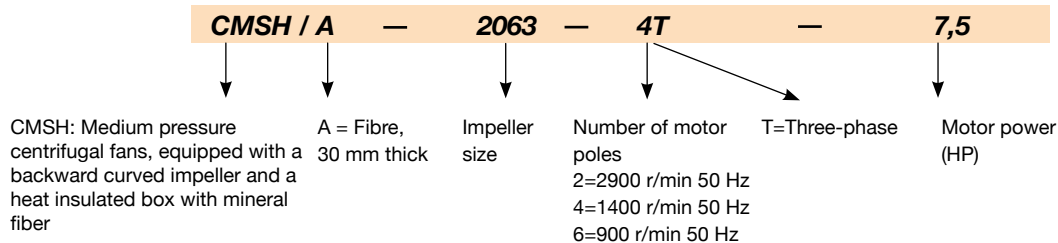
On request:

- Special windings for different voltages.
- Stainless steel construction.



Compartment insulated with high thermal insulation mineral fibre

Order code



Technical characteristics

Model	Speed (r/min)	Maximum admissible current (A)			Installed power (kW)	Maximum flow rate (m³/h)	Sound pressure level dB(A)	Approx. weight (Kg)
		230V	400V	690V				
CMSH-831-2T-2 IE3	2875	5.34	3.07		1.50	2650	65	31
CMSH-935-2T-2 IE3	2875	5.34	3.07		1.50	3660	70	39
CMSH-1040-4T-1.5 IE3	1455	4.07	2.34		1.10	2660	57	36
CMSH-1145-4T-1.5 IE3	1455	4.07	2.34		1.10	3940	61	58
CMSH-1240-4T-1.5 IE3	1455	4.07	2.34		1.10	5300	62	57
CMSH-1445-4T-2 IE3	1440	5.41	3.11		1.50	8450	70	69
CMSH-1650-4T-3 IE3	1435	7.93	4.56		2.20	10900	71	80
CMSH-1856-4T-5.5 IE3	1450	13.90	8.00		4.00	17100	77	93
CMSH-2063-4T-7.5 IE3	1465		10.30	5.97	5.50	19200	77	150
CMSH-2063-6T-3 IE3	950	9.08	5.22		2.20	13600	66	125
CMSH-2271-4T-15 IE3	1470		20.90	12.10	11.00	31000	83	196
CMSH-2271-4T-20 IE3	1465		27.90	16.20	15.00	34600	85	205
CMSH-2271-6T-5.5 IE3	960	15.60	8.99		4.00	21900	75	150
CMSH-2380-4T-30 IE3	1470		41.00	23.80	22.00	47600	86	266
CMSH-2380-6T-15 IE3	975		21.90	12.70	11.00	30900	78	279

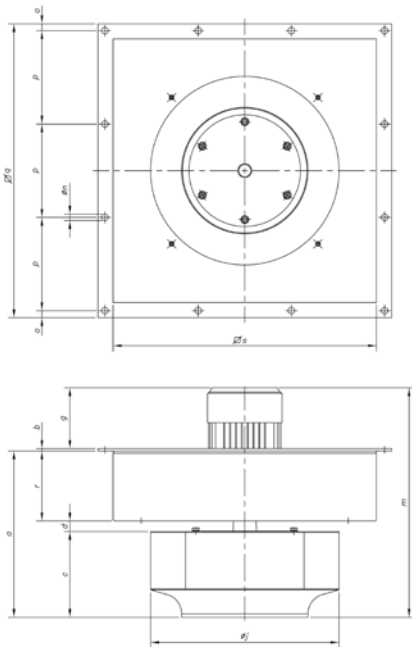
Acoustic characteristics

Sound power spectrum Lw(A) in dB(A) per Hz frequency band

	63	125	250	500	1000	2000	4000	8000
CMSH-831-2T-2	54	63	68	68	72	71	64	58
CMSH-935-2T-2	59	68	73	73	77	76	69	63
CMSH-1040-4T-1.5	50	56	61	62	65	67	59	53
CMSH-1145-4T-1.5	56	62	67	68	71	73	65	59
CMSH-1240-4T-1.5	46	59	61	73	69	67	64	56
CMSH-1445-4T-2	55	65	78	81	79	79	75	65
CMSH-1650-4T-3	52	65	79	79	82	80	77	67
CMSH-1856-4T-5.5	64	71	88	88	87	87	86	83

	63	125	250	500	1000	2000	4000	8000
CMSH-2063-4T-7.5	66	72	91	86	86	86	83	74
CMSH-2063-6T-3	58	69	76	77	78	77	71	61
CMSH-2271-4T-15	73	79	97	96	94	94	91	83
CMSH-2271-4T-20	75	81	99	98	96	96	93	85
CMSH-2271-6T-5.5	65	78	79	83	92	86	82	71
CMSH-2380-4T-30	76	82	100	99	97	97	94	86
CMSH-2380-6T-15	68	81	82	86	95	89	85	74

Dimensions mm



	a	b	c	d	g	øj	m	øn	o	p	q	r	s
CMSH-831-2T-2	253.5	3	83	20.5	174	315	432	9	15	150	480	150	400
CMSH-935-2T-2	265.5	3	93.5	22	186	350	454.5	14	20	188	604	150	495
CMSH-1040-4T-1'5	273.5	3	103.5	22	186	400	464	14	15	188	604	150	495
CMSH-1145-4T-1'5	283.5	5	114	19.5	186.5	450	475	14	15	200	630	150	565
CMSH-1240-4T-1'5	356.5	5	184	22.5	130.5	404	492	14	15	200	630	150	565
CMSH-1445-4T-2	397.5	5	220	27.5	186.6	458	589	14	15	200	630	150	565
CMSH-1650-4T-3	428	5	248	27.5	216	508	649	14	16	236	740	150	673
CMSH-1856-4T-5'5	449.5	5	277.5	22	216	577	671	14	16	236	740	150	673
CMSH-2063-4T-7'5	470	5	299	21	277.5	644	752.5	14	19	284	890	150	813
CMSH-2063-6T-3	470	5	299	21	239.5	644	714.5	14	19	284	890	150	813
CMSH-2271-4T-15	500	5	330	20	395.5	719	900.5	14	19	284	890	150	813
CMSH-2271-4T-20	500	5	330	20	395.5	719	900.5	14	19	284	890	150	813
CMSH-2271-6T-5'5	466	5	295	21	277.5	719	748.5	14	19	284	890	150	813
CMSH-2380-4T-30	538.5	5	366	22.5	538.5	808	1056	14	19	248	1030	150	953
CMSH-2380-6T-15	538.5	5	366	22.5	395.5	808	939	14	19	248	1030	150	953

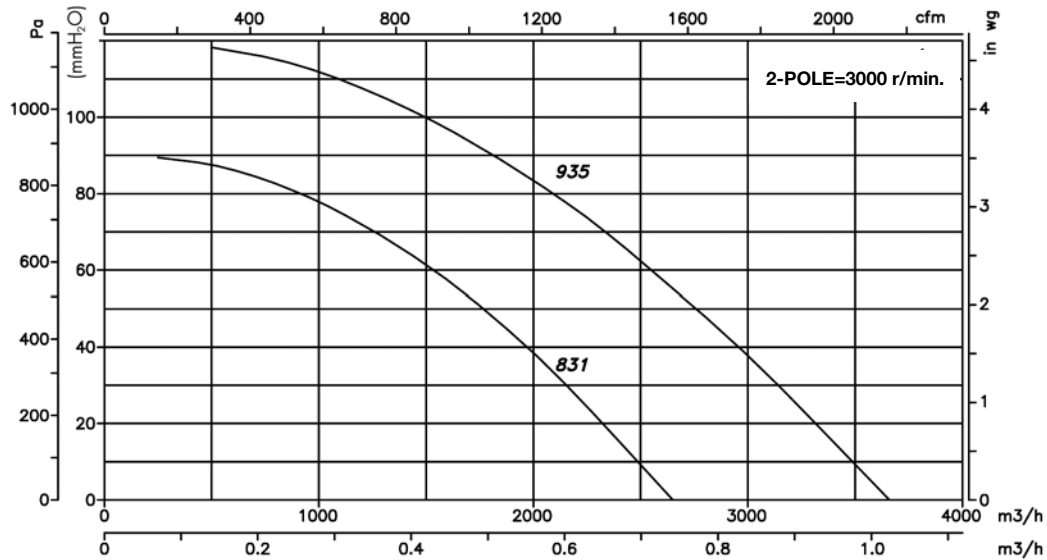
Accessories



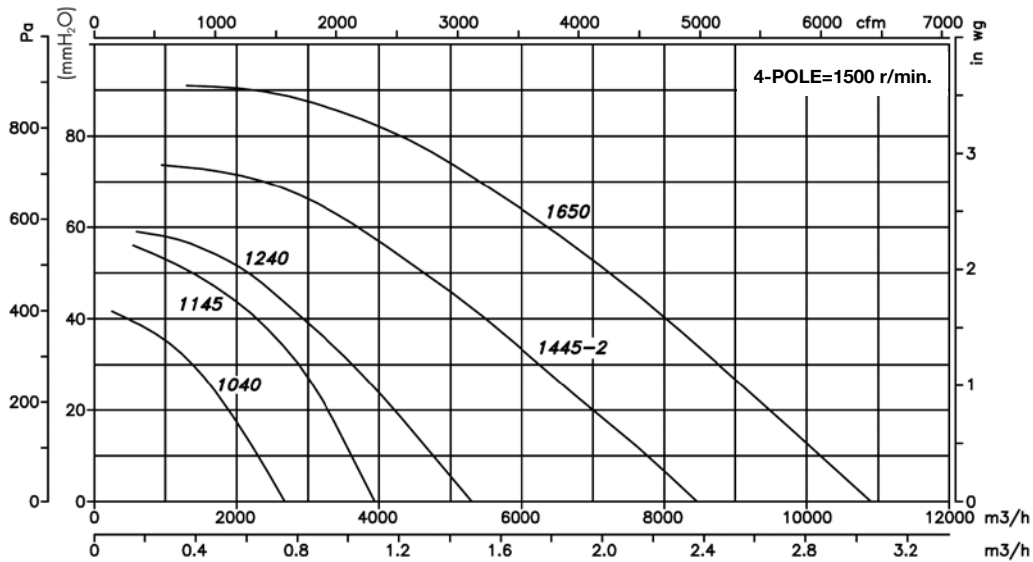
Characteristic curves

Q= Flow rate in m³/h, m³/h and cfm Pe= Static pressure in mm H₂O, Pa and inwg

CMSH 831...935



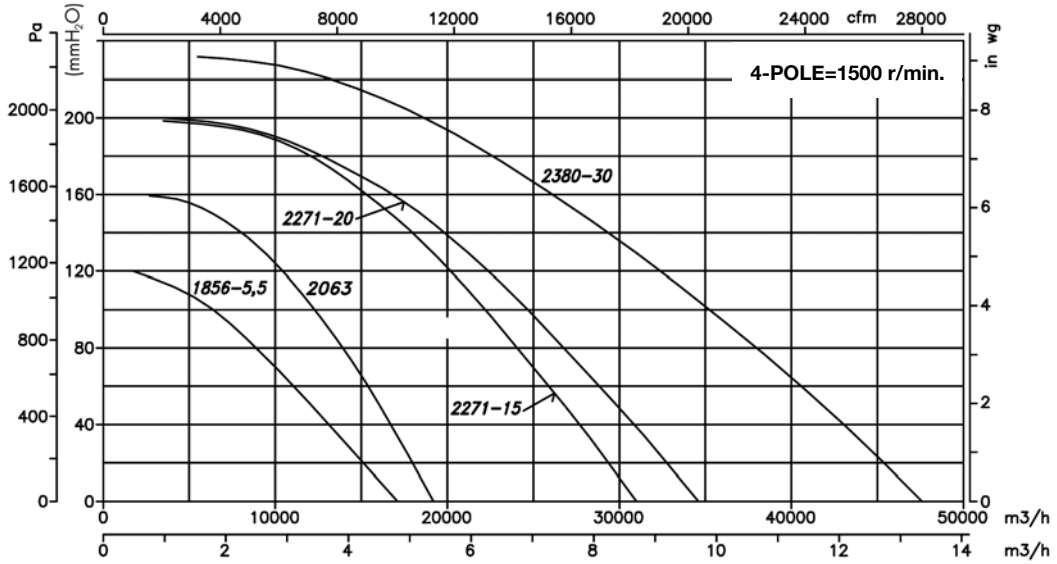
CMSH 1040...1650



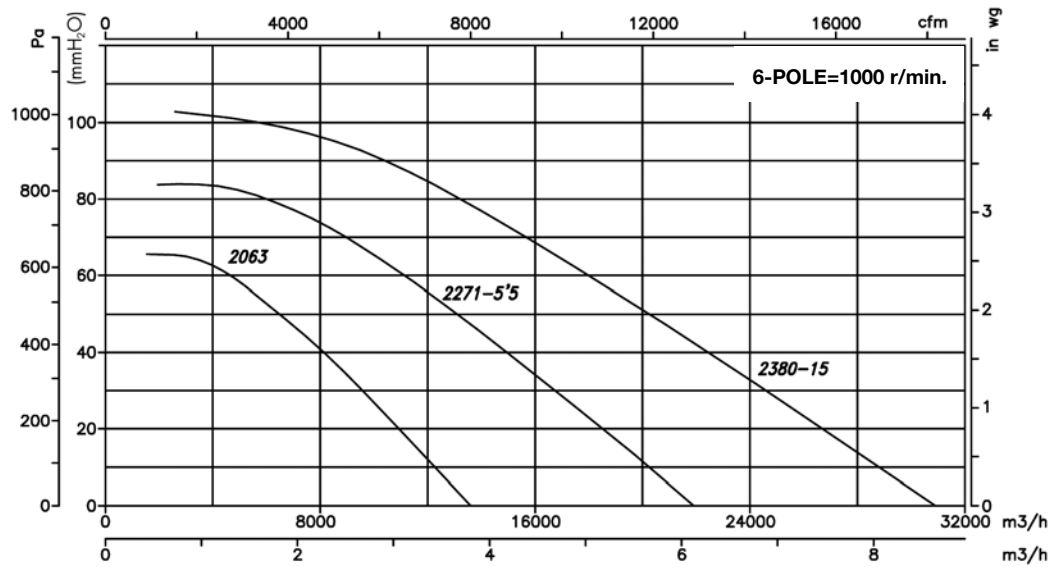
Characteristic curves

Q= Flow rate in m³/h, m³/h and cfm Pe= Static pressure in mm H₂O, Pa and inwg

CMSH 1856...2380



CMSH 2063...2380



CMPH



Centrifugal medium pressure fans, equipped with a forward curved impeller and a heat insulated box with mineral fiber



Fan:

- Sheet steel structure.
- Forward curved impeller in galvanized sheet steel.
- Heat resistant compartment with high density mineral fiber and great thermal and acoustic insulation.

Motor:

- Class F motors with ball bearings and IP55 protection.
- Motors with IE3 efficiency for powers equal to or greater than 0.75kW, except single-phase, 2-speed and 8-pole.
- Three-phase 230/400 V 50 Hz (up to 4 kW) and 400/690 V 50 Hz (powers greater than 4 kW).
- Maximum temperature of air to be carried: -20 °C +250 °C.

Finishing:

- Treatment with anticorrosive paint.

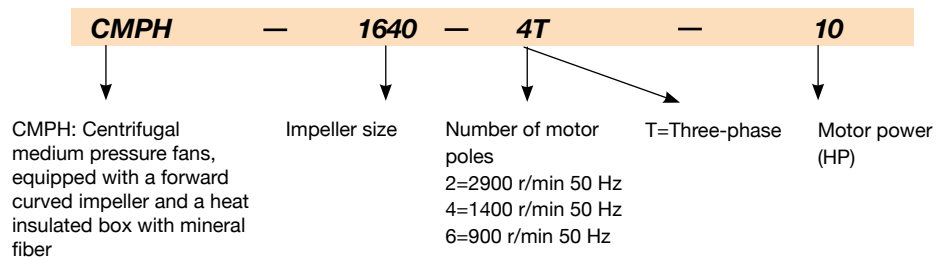
On request:

- Special windings for different voltages.
- Stainless steel construction.



Compartment insulated with high thermal insulation mineral fibre

Order code



Technical characteristics

Model	Speed (r/min)	Maximum admissible current (A)			Installed power (kW)	Maximum flow rate (m³/h)	Sound pressure level dB(A)	Approx. weight (Kg)
		230V	400V	690V				
CMPH-512-2T-0.25	2750	1.21	0.70		0.18	475	62	7
CMPH-512-4T-0.16	1320	0.96	0.56		0.12	255	55	7
CMPH-514-2T-0.25	2750	1.21	0.70		0.18	800	65	11
CMPH-514-4T-0.16	1320	0.96	0.56		0.12	565	58	11
CMPH-616-2T-0.5	2710	1.92	1.11		0.37	1380	69	13
CMPH-616-4T-0.16	1320	0.96	0.56		0.12	850	61	11
CMPH-620-2T-0.5	2710	1.92	1.11		0.37	765	68	15
CMPH-620-4T-0.16	1320	0.96	0.56		0.12	810	61	13
CMPH-718-2T-1 IE3	2825	2.80	1.62		0.75	1485	70	23
CMPH-718-4T-0.33	1350	1.52	0.88		0.25	1280	63	15
CMPH-820-2T-1.5 IE3	2830	4.03	2.34		1.10	1950	73	21
CMPH-820-4T-0.33	1350	1.52	0.88		0.25	1670	66	15
CMPH-922-2T-1.5 IE3	2830	4.03	2.34		1.10	1650	70	25
CMPH-922-2T-2 IE3	2875	5.34	3.07		1.50	2010	71	31
CMPH-922-2T-3 IE3	2910	7.32	4.21		2.20	2600	74	34
CMPH-922-4T-0.75	1380	2.92	1.69		0.55	2450	66	22
CMPH-1025-2T-3 IE3	2910	7.32	4.21		2.20	2100	73	35
CMPH-1025-2T-4 IE3	2910	10.00	5.77		3.00	2830	77	41

Technical characteristics

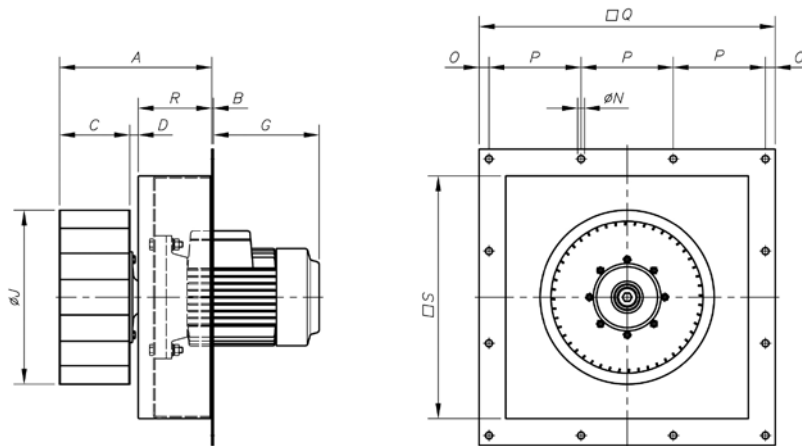
Model	Speed (r/min)	Maximum admissible current (A)			Installed power (kW)	Maximum flow rate (m³/h)	Sound pressure level dB(A)	Approx. weight (Kg)
		230V	400V	690V				
CMPH-1025-4T-1.5 IE3	1455	4.07	2.34		1.10	3400	70	31
CMPH-1128-2T-4 IE3	2910	10.00	5.77		3.00	2220	77	46
CMPH-1128-2T-5.5 IE3	2900	13.00	7.50		4.00	3210	81	59
CMPH-1128-4T-3 IE3	1435	7.93	4.56		2.20	5000	74	45
CMPH-1128-6T-1 IE3	940	3.36	1.93		0.75	3300	60	39
CMPH-1231-4T-3 IE3	1435	7.93	4.56		2.20	4740	73	45
CMPH-1231-4T-4 IE3	1440	10.70	6.15		3.00	5910	75	51
CMPH-1231-4T-5.5 IE3	1450	13.90	8.00		4.00	6850	77	53
CMPH-1231-6T-2 IE3	950	6.43	3.70		1.50	5115	64	47
CMPH-1435-4T-4 IE3	1440	10.70	6.15		3.00	5560	76	52
CMPH-1435-4T-5.5 IE3	1450	13.90	8.00		4.00	6260	78	55
CMPH-1435-4T-7.5 IE3	1465		10.30	5.97	5.50	7210	80	90
CMPH-1435-6T-3 IE3	950	9.08	5.22		2.20	6400	66	54
CMPH-1640-4T-5.5 IE3	1450	13.90	8.00		4.00	7500	77	67
CMPH-1640-4T-7.5 IE3	1465		10.30	5.97	5.50	8035	80	102
CMPH-1640-4T-10 IE3	1465		13.90	8.06	7.50	9710	82	106
CMPH-1640-6T-3 IE3	950	9.08	5.22		2.20	8100	71	66
CMPH-1845-4T-7.5 IE3	1465		10.30	5.97	5.50	8965	82	113
CMPH-1845-4T-10 IE3	1465		13.90	8.06	7.50	10350	85	117
CMPH-1845-6T-3 IE3	950	9.08	5.22		2.20	8330	77	77
CMPH-2050-4T-10 IE3	1465		13.90	8.06	7.50	9000	83	128
CMPH-2050-4T-15 IE3	1470		20.90	12.10	11.00	12525	87	156
CMPH-2050-4T-20 IE3	1465		27.90	16.20	15.00	19000	89	167
CMPH-2050-6T-5.5 IE3	960	15.60	8.99		4.00	11000	79	122
CMPH-2563-6T-15 IE3	975		21.90	12.70	11.00	16500	86	202
CMPH-2563-6T-25 IE3	980		35.90	20.80	18.50	28000	87	306

Acoustic characteristics

Sound power spectrum Lw(A) in dB(A) per Hz frequency band

	63	125	250	500	1000	2000	4000	8000		63	125	250	500	1000	2000	4000	8000
CMPH-512-2T-0.25	37	47	58	65	69	66	64	57	CMPH-1128-6T-1	35	45	56	63	67	64	62	55
CMPH-512-4T-0.16	30	40	51	58	62	59	57	50	CMPH-1231-4T-3	51	60	71	78	82	80	78	71
CMPH-514-2T-0.25	40	50	61	68	72	69	67	60	CMPH-1231-4T-4	53	62	73	80	84	82	80	73
CMPH-514-4T-0.16	33	43	54	61	65	62	60	53	CMPH-1231-4T-5.5	55	64	75	82	86	84	82	75
CMPH-616-2T-0.5	44	54	65	72	76	73	71	64	CMPH-1231-6T-2	42	51	62	69	73	71	69	62
CMPH-616-4T-0.16	36	46	57	64	68	65	63	56	CMPH-1435-4T-4	54	63	74	81	85	83	81	74
CMPH-620-2T-0.5	43	53	64	71	75	72	70	63	CMPH-1435-4T-5.5	56	65	76	83	87	85	83	76
CMPH-620-4T-0.16	36	46	57	64	68	65	63	56	CMPH-1435-4T-7.5	58	67	78	85	89	87	85	78
CMPH-718-2T-1	45	55	66	73	77	74	72	65	CMPH-1435-6T-3	44	53	64	71	75	73	71	64
CMPH-718-4T-0.33	38	48	59	66	70	67	65	58	CMPH-1640-4T-5.5	55	64	75	82	86	84	82	75
CMPH-820-2T-1.5	48	58	69	76	80	77	75	68	CMPH-1640-4T-7.5	58	67	78	85	89	87	85	78
CMPH-820-4T-0.33	41	51	62	69	73	70	68	61	CMPH-1640-4T-10	60	69	80	87	91	89	87	80
CMPH-922-2T-1.5	45	55	66	73	77	74	72	65	CMPH-1640-6T-3	49	58	69	76	80	78	76	69
CMPH-922-2T-2	46	56	67	74	78	75	73	66	CMPH-1845-4T-7.5	61	71	82	89	93	91	89	81
CMPH-922-2T-3	49	59	70	77	81	78	76	69	CMPH-1845-4T-10	64	74	85	92	96	94	92	84
CMPH-922-4T-0.75	41	51	62	69	73	70	68	61	CMPH-1845-6T-3	56	66	77	84	88	86	84	76
CMPH-1025-2T-3	48	58	69	76	80	77	75	68	CMPH-2050-4T-10	62	72	83	90	94	92	90	82
CMPH-1025-2T-4	52	62	73	80	84	81	79	72	CMPH-2050-4T-15	66	76	87	94	98	96	94	86
CMPH-1025-4T-1.5	45	55	66	73	77	74	72	65	CMPH-2050-4T-20	68	78	89	96	100	98	96	88
CMPH-1128-2T-4	52	62	73	80	84	81	79	72	CMPH-2050-6T-5.5	58	68	79	86	90	88	86	78
CMPH-1128-2T-5.5	56	66	77	84	88	85	83	76	CMPH-2563-6T-15	67	77	88	95	99	96	94	87
CMPH-1128-4T-3	49	59	70	77	81	78	76	69	CMPH-2563-6T-25	68	78	89	96	100	97	95	88

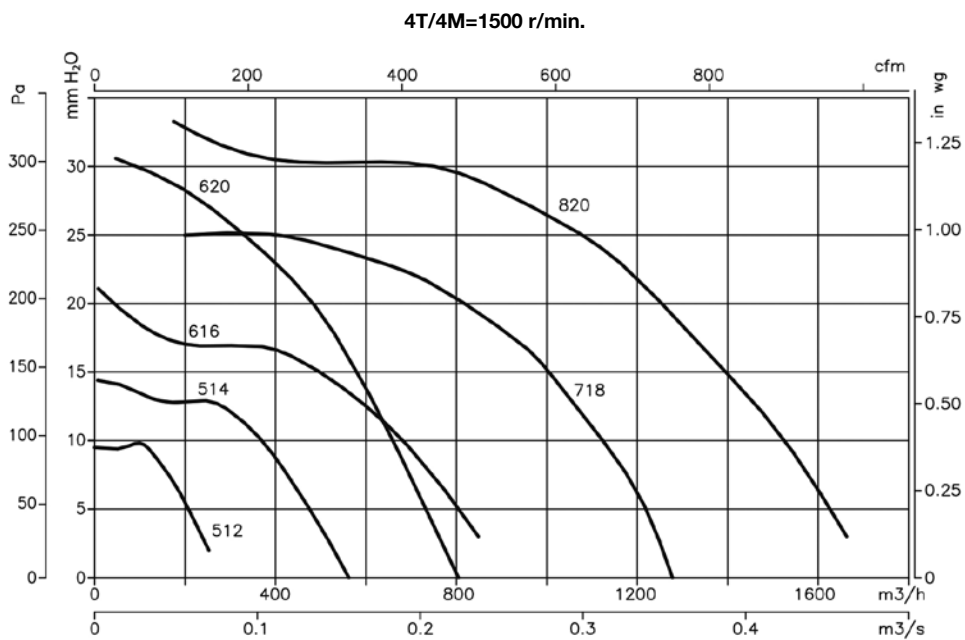
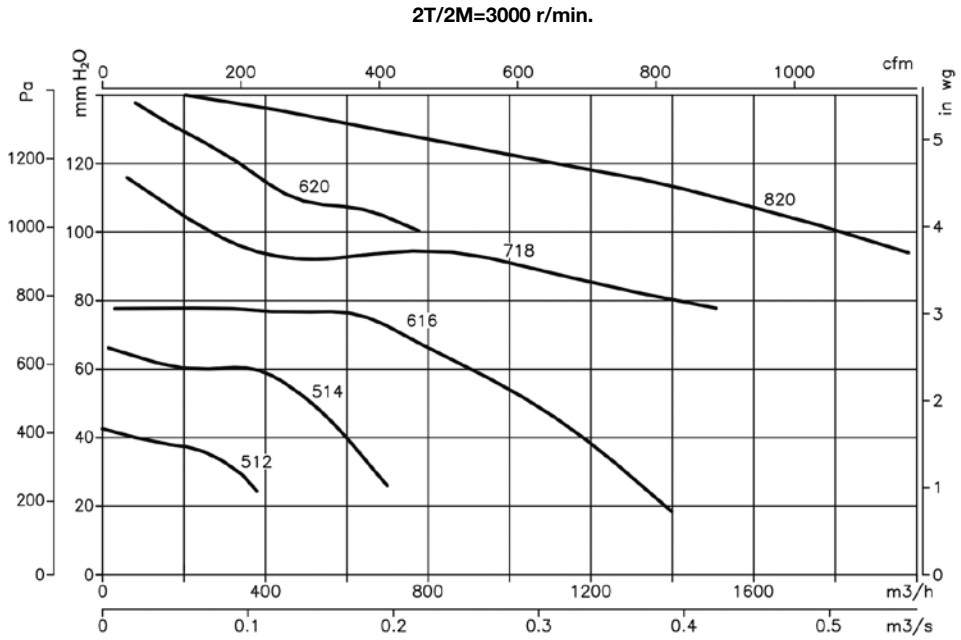
Dimensions mm



	A	B	C	D	G Max.	øJ	øN	O	P	Q	R	S
CMPH-512	108	3	50.5	6.5	159	120	7	12	97	315	50	260
CMPH-514	158.5	3	51.5	7	109	140	7	10	125	395	100	340
CMPH-616	169.5	3	62	6.5	155	160	7	10	125	395	100	353
CMPH-718	179.5	3	74	5	180	180	7	10	125	395	100	340
CMPH-620-2T-0.5	167	3	62	5	155	200	7	10	125	395	100	340
CMPH-620-4T-0.16	167	3	62	9	155	200	7	10	125	395	100	340
CMPH-820	187	3	82	4.5	180	200	7	10	125	395	100	340
CMPH-922	246.5	3	92	4.5	186	225	9	15	150	480	150	400
CMPH-1025	256.5	3	102	4.5	210	250	9	15	150	480	150	400
CMPH-1128	279.5	3	114	15	239	280	14	20	188	604	150	495
CMPH-1231	293.5	3	128	15	239	315	14	20	188	604	150	495
CMPH-1435	310.5	3	143	17.5	277	355	14	20	188	604	150	495
CMPH-1640	332	5	163	17.5	277	404	14	15	200	630	150	565
CMPH-1845-4T-7.5	353	5	180	23.5	277	454	14	16	236	740	150	673
CMPH-1845-4T-10	353	5	180	23.5	277	454	14	16	236	740	150	673
CMPH-1845-6T-3	347	5	180	17.5	239	454	14	16	236	740	150	673
CMPH-2050	376.5	5	204	23.5	388	500	14	16	236	740	150	673
CMPH-2563-6T-15	425	5	254	22.5	555	630	14	19	284	890	150	813
CMPH-2563-6T-25	443.5	5	254	39.5	555	630	14	19	284	890	150	813

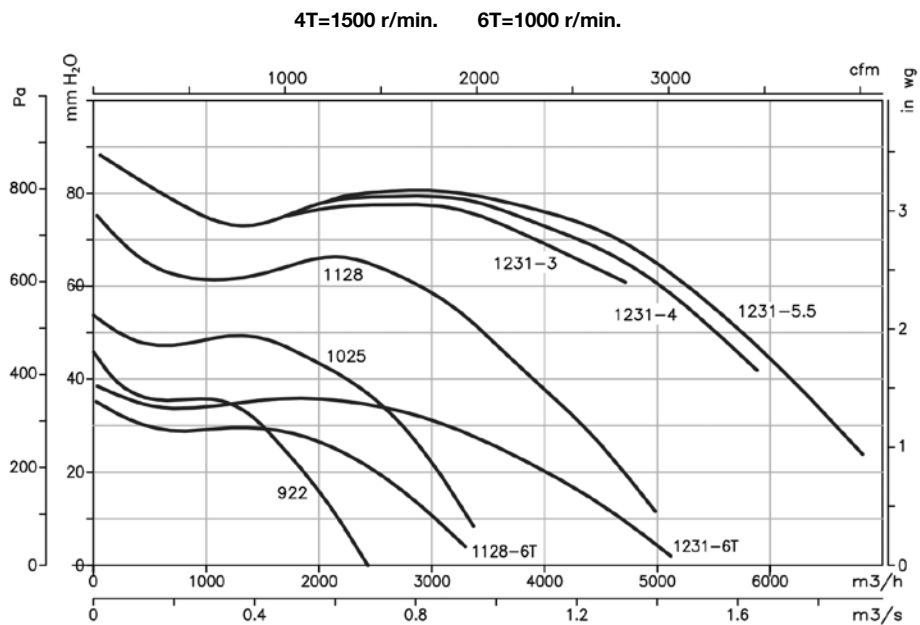
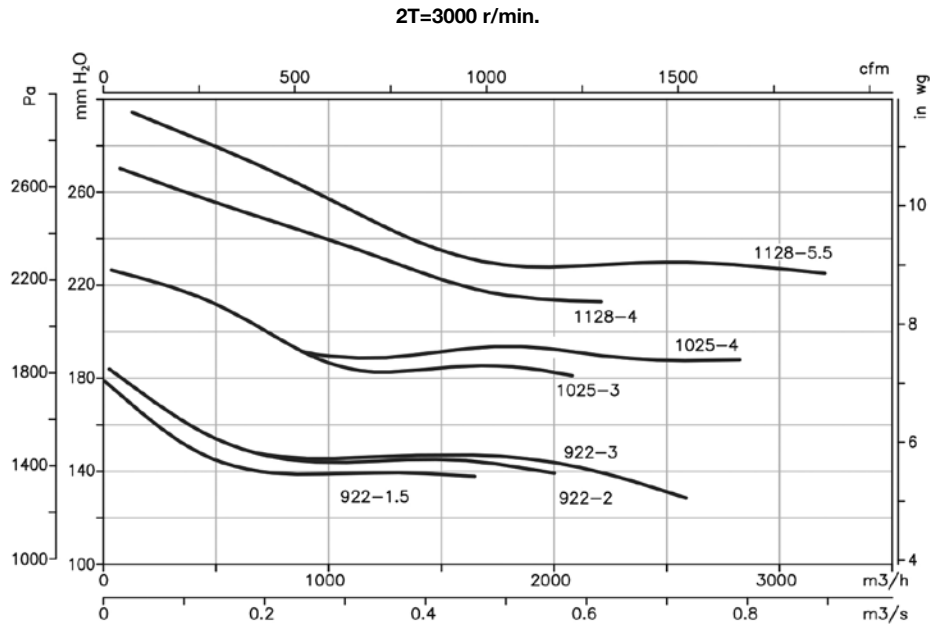
Characteristic curves

Q= Flow rate in m³/h, m³/h and cfm Pe= Static pressure in mm H₂O, Pa and inwg



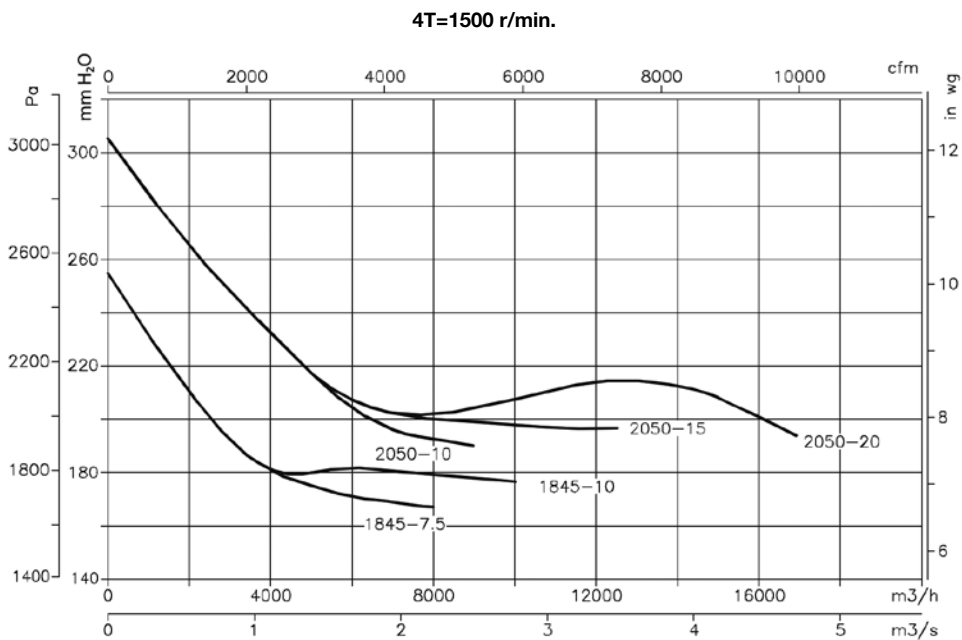
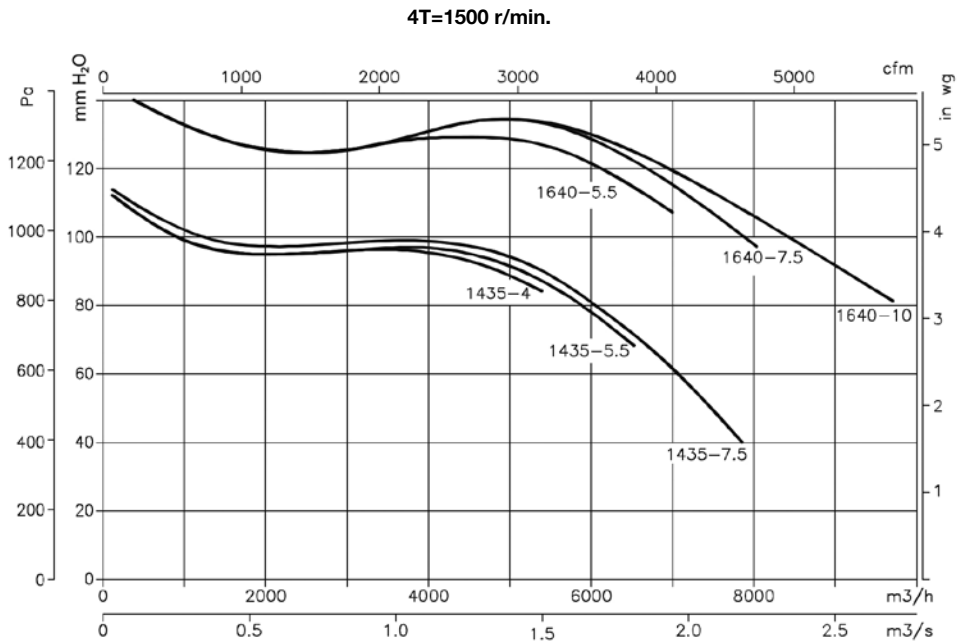
Characteristic curves

Q= Flow rate in m³/h, m³/h and cfm Pe= Static pressure in mm H₂O, Pa and inwg



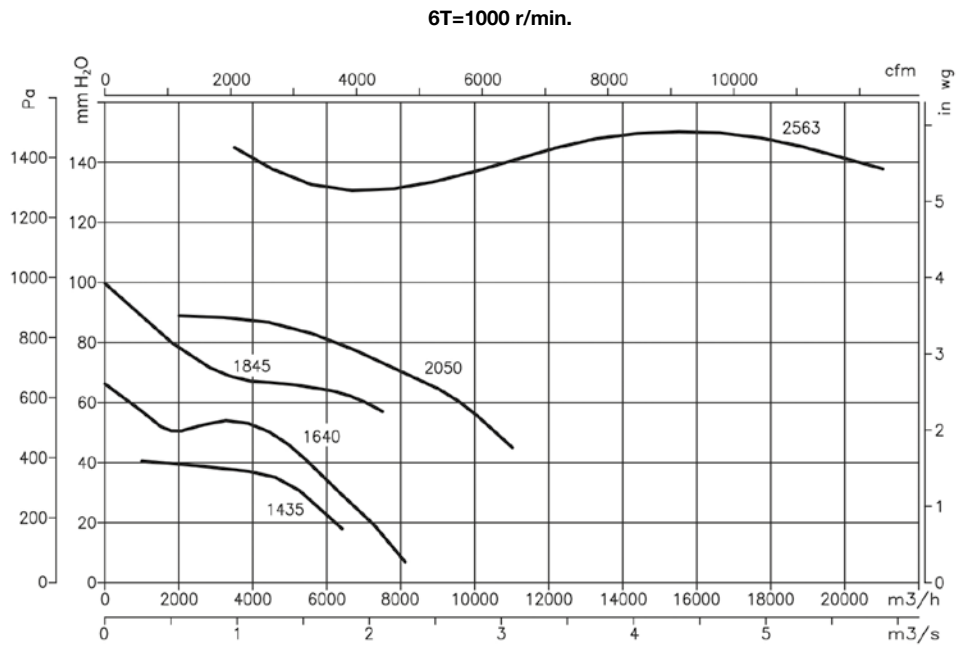
Characteristic curves

Q= Flow rate in m³/h, m³/h and cfm Pe= Static pressure in mm H₂O, Pa and inwg



Characteristic curves

Q= Flow rate in m³/h, m³/h and cfm Pe= Static pressure in mm H₂O, Pa and inwg



Accessories



INT



C2V



RM



VSD3/A-RFT
VSD1/A-RFM



AET



HPX

Tubular axial fans with external motors



Tubular axial fans activated by transmission with casing aperture up to 180°.

Fan:

- Tubular sheet steel casing with rotating cover.
- Cast aluminium impellers.
- Watertight transmission group (IP66) with double seal system.
- Airflow direction from motor to impeller.
- Temperature of the air to be carried: -25 °C to +120 °C.

Motor:

- Motors with IE3 efficiency for powers equal to or greater than 0.75kW, except single-phase, 2-speed and 8-pole.
- Class F motors with ball bearings and IP55 protection.

- 230V 50 Hz single-phase and 230/400V 50 Hz three-phase (up to 4 kW) and 400/690V 50 Hz (powers greater than 4 kW).

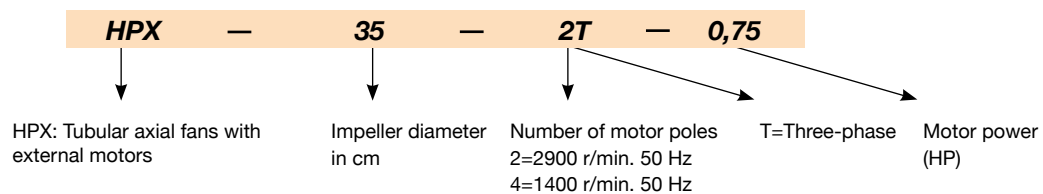
Finishing:

- Anti-corrosive finish in polyester resin, polymerised at 190 °C, after degreasing with phosphate-free nanotechnology treatment.

On request:

- Airflow direction from impeller to motor.
- 100% reversible impellers.
- Special windings for different voltages.
- Category 2 ATEX certification (see HPX/ATEX series).

Order code



Technical characteristics

Model	Speed (r/min)	Maximum admissible current (A)			Installed power (kW)	Maximum flow rate (m³/h)	Sound pressure level dB(A)	Approx. weight (Kg)
		230V	400V	690V				
HPX-35-2T-0.75	2720	2.57	1.49		0.55	4750	77	22
HPX-35-4T-0.33	1420	1.66	0.96		0.25	2500	60	20
HPX-45-4T-0.33	1200	1.66	0.96		0.25	6300	69	32
HPX-45-4T-0.5	1420	2.02	1.17		0.37	6600	70	36
HPX-50-4T-0.75	1310	2.92	1.69		0.55	9000	70	33
HPX-50-4T-1 IE3	1500	2.82	1.62		0.75	10800	71	35
HPX-56-4T-0.75	1380	2.92	1.69		0.55	11300	72	36
HPX-56-4T-1 IE3	1420	2.82	1.62		0.75	12200	73	37
HPX-56-4T-1.5 IE3	1420	4.07	2.34		1.10	14500	75	43
HPX-63-4T-1.5 IE3	1300	4.07	2.34		1.10	16000	74	63
HPX-63-4T-2 IE3	1420	5.41	3.11		1.50	17500	78	71
HPX-71-4T-1.5 IE3	1200	4.07	2.34		1.10	20300	78	78
HPX-71-4T-2 IE3	1350	5.41	3.11		1.50	22500	79	85
HPX-71-4T-3 IE3	1450	7.93	4.56		2.20	24000	81	86
HPX-80-4T-4 IE3	1350	10.70	6.15		3.00	32000	84	105
HPX-80-4T-5.5 IE3	1450	13.90	8.00		4.00	40500	84	108
HPX-90-4T-5.5 IE3	1280	13.90	8.00		4.00	44000	89	120
HPX-90-4T-7.5 IE3	1400		10.30	5.97	5.50	51000	91	155
HPX-100-4T-10 IE3	1450		13.90	8.06	7.50	63000	93	175
HPX-100-4T-15 IE3	1450		20.90	12.10	11.00	68000	94	206

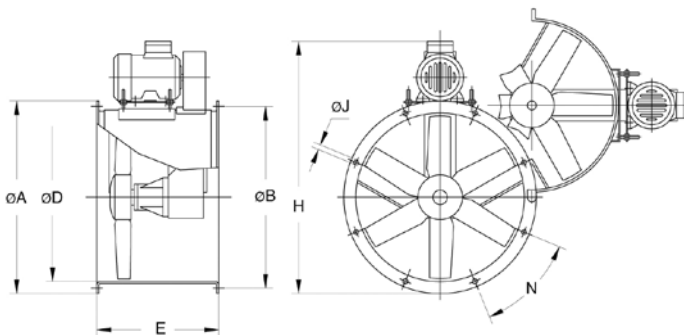
Acoustic characteristics

The indicated values are determined by measuring the sound pressure level and sound power in dB(A) obtained in a free field at a distance equivalent to twice the size of the fan plus the impeller diameter, with a minimum of 1.5 m.

Sound power spectrum Lw(A) in dB(A) per Hz frequency band

Model	63	125	250	500	1000	2000	4000	8000	Model	63	125	250	500	1000	2000	4000	8000
35-2-0.75	48	63	82	81	82	81	76	67	63-4-2	62	73	83	89	90	85	74	70
35-4-0.33	31	46	65	64	65	64	59	50	71-4-1.5	55	75	83	88	90	87	80	69
45-4-0.33	40	55	74	73	74	73	68	59	74-4-2	56	76	84	89	91	88	81	70
45-4-0.50	41	56	75	74	75	74	69	60	71-4-3	65	76	86	92	93	88	77	73
50-4-0.75	44	58	77	77	78	76	72	63	80-4-4	61	81	89	94	96	93	86	75
50-4-1	45	59	78	78	79	77	73	64	80-4-5.5	68	79	89	95	96	91	80	76
56-4-0.75	47	67	75	80	82	79	72	61	90-4-5.5	67	88	95	100	103	99	92	81
56-4-1	48	68	76	81	83	80	73	62	90-4-7.5	69	90	97	102	105	101	94	83
56-4-1.5	57	68	78	84	85	80	69	65	100-4-10	73	93	101	106	108	105	98	87
63-4-1.5	51	71	79	84	86	83	76	65	100-4-15	74	94	102	107	109	106	99	88

Dimensions mm

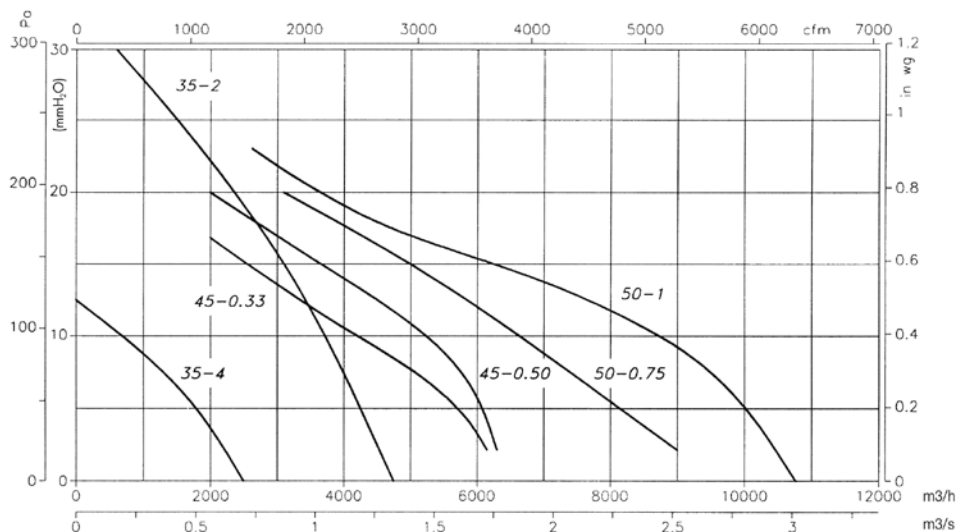


Model	ØA	ØB	ØD	E	H	ØJ	N
HPX-35-2T-0.75	425	395	355	380	606	10	8x45°
HPX-35-4T-0.33	425	395	355	380	609	10	8x45°
HPX-45-4T-0.33	540	500	460	420	740	12	8x45°
HPX-45-4T-0.50	540	500	460	420	728	12	8x45°
HPX-50-4T-0.75	600	560	512	420	803	12	12x30°
HPX-50-4T-1	600	560	512	420	803	12	12x30°
HPX-56-4T-0.75	660	620	560	450	848	12	12x30°
HPX-56-4T-1	660	620	560	450	848	12	12x30°
HPX-56-4T-1.5	660	620	560	450	870	12	12x30°
HPX-63-4T-1.5	730	690	640	500	950	12	12x30°
HPX-63-4T-2	730	690	640	500	950	12	12x30°
HPX-71-4T-1.5	810	770	710	550	1017	12	16x22°30'
HPX-71-4T-2	810	770	710	550	1017	12	16x22°30'
HPX-71-4T-3	810	770	710	550	1035	12	16x22°30'
HPX-80-4T-4	900	860	800	600	1173	12	16x22°30'
HPX-80-4T-5.5	900	860	800	600	1200	12	16x22°30'
HPX-90-4T-5.5	1015	970	900	650	1320	15	16x22°30'
HPX-90-4T-7.5	1015	970	900	650	1320	15	16x22°30'
HPX-100-4T-10	1115	1070	1000	750	1483	15	16x22°30'
HPX-100-4T-15	1115	1070	1000	750	1513	15	16x22°30'

Characteristic curves

Q= Flow rate in m³/h, m³/h and cfm Pe= Static pressure in mm H₂O, Pa and inwg

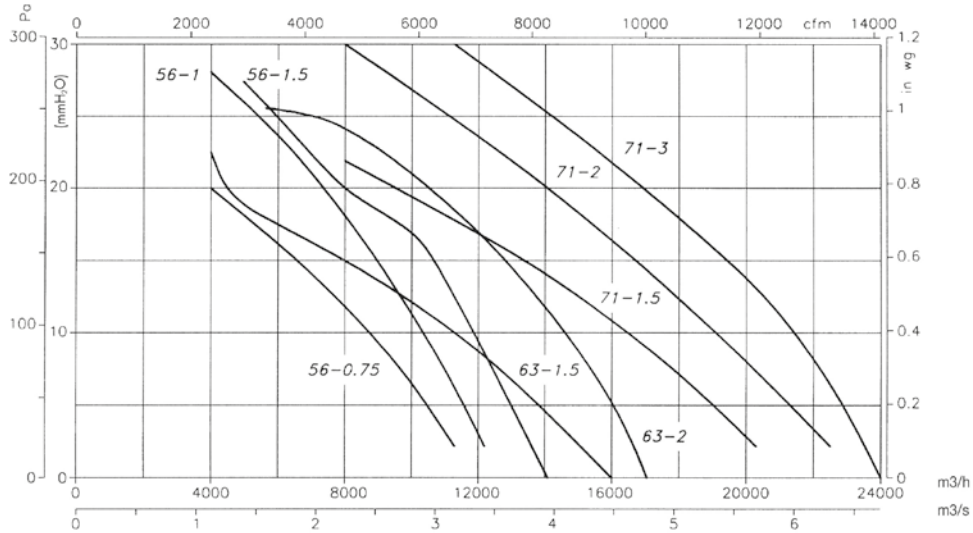
HPX 35...50



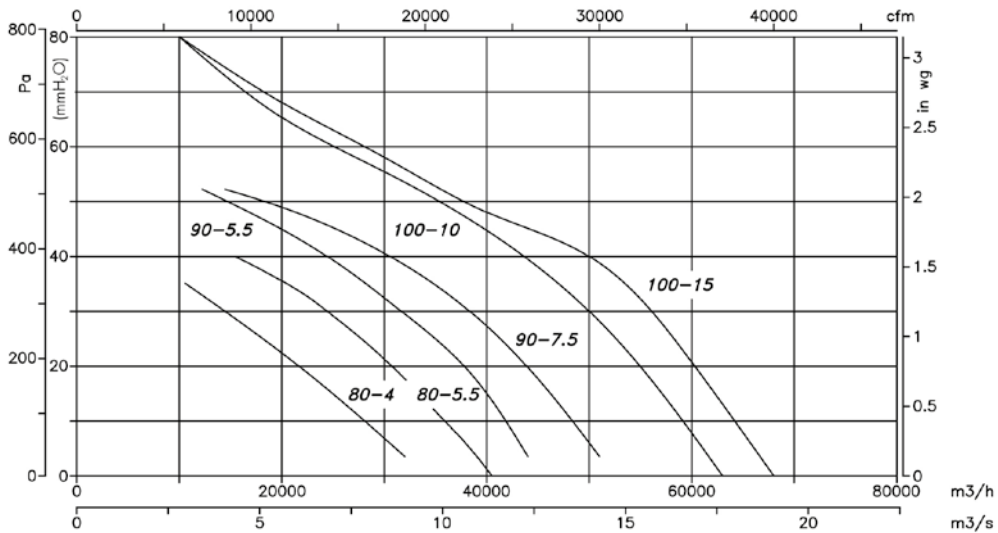
Characteristic curves

Q= Flow rate in m³/h, m³/h and cfm Pe= Static pressure in mm H₂O, Pa and inwg

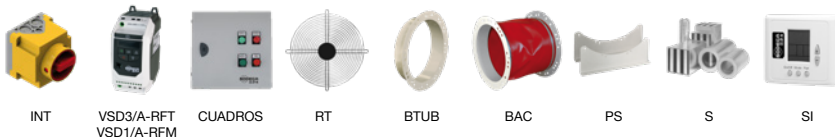
HPX 56...71



HPX 80...100



Accessories



HBA

Forked tubular axial fans with motors outside the airflow



Bifurcated tubular fans for transferring air up to 150 °C in continuous operation and up to 200 °C in sporadic mode.

Fan:

- Sheet steel long casing.
- Cast aluminium impellers.
- Airflow direction from impeller to motor.

Motor:

- Motors with IE3 efficiency for powers equal to or greater than 0.75kW, except single-phase, 2-speed and 8-pole.
- Class F motors with ball bearings and IP55 protection.
- Three-phase 230/400 V 50 Hz (up to 4 kW) and 400/690 V 50 Hz (powers greater than 4 kW).
- Working temperature: -25°C +150 °C.

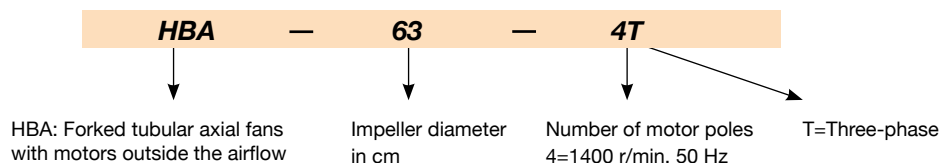
Finishing:

- Anti-corrosive finish in polyester resin, polymerised at 190 °C, after degreasing with phosphate-free nanotechnology treatment.

On request:

- Stainless steel casing.
- Hot dip galvanised finish.
- Special windings for different voltages and motors with PTC thermistors.

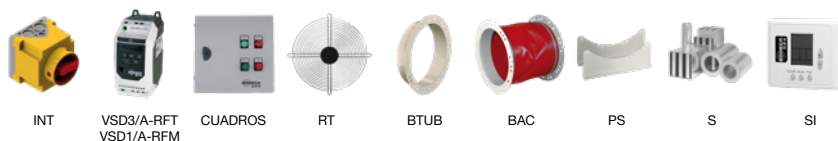
Order code



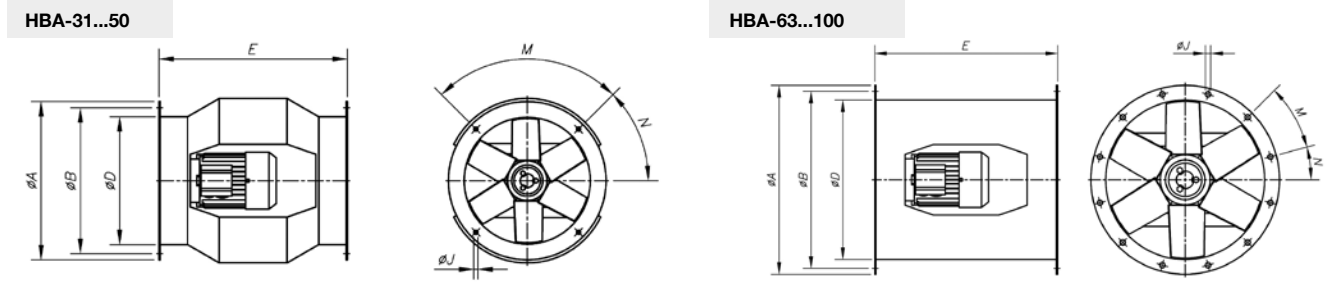
Technical characteristics

Model	Speed (r/min)	Maximum admissible current (A)		Installed power (kW)	Maximum flow rate (m³/h)	Sound pressure level dB(A)	Approx. weight (Kg)
		230V	400V				
HBA-31-2T	2760	2.57	1.49	0.55	2900	77	25
HBA-31-2M	2810	3.49		0.55	2900	77	26
HBA-31-4T	1350	1.66	0.96	0.25	1600	66	24
HBA-31-4M	1370	2.00		0.25	1600	66	25
HBA-40-2T IE3	2830	4.03	2.34	1.10	6200	82	46
HBA-40-2M	2820	6.51		1.10	6200	82	46
HBA-40-4T	1370	2.02	1.17	0.37	3200	75	40
HBA-45-2T IE3	2910	10.00	5.77	3.00	8550	84	61
HBA-50-4T IE3	1420	2.82	1.62	0.75	6750	76	74
HBA-63-4T IE3	1455	4.07	2.34	1.10	11150	77	95
HBA-71-4T IE3	1450	13.90	8.00	4.00	15850	79	166
HBA-71-6T	900	2.99	1.73	0.55	11200	74	140
HBA-80-6T IE3	945	4.68	2.69	1.10	14900	77	196
HBA-100-6T IE3	945	4.68	2.69	1.10	21700	80	266

Accessories



Dimensions mm

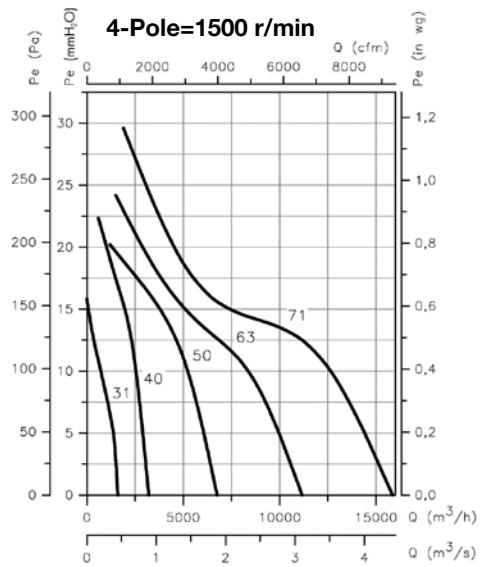
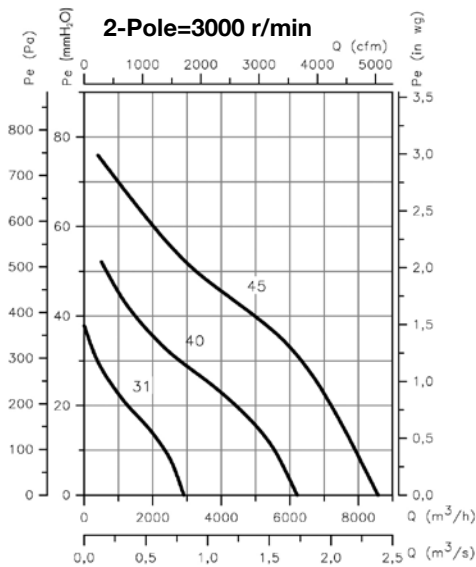


Model	ØA	ØB	ØD	E	ØJ	M	N
HBA-31	385	355	308	460	10	4x90°	45°
HBA-40	490	450	410	580	12	8x45°	22'5°
HBA-45	540	500	460	640	12	8x45°	22'5°
HBA-50	600	560	514	730	12	12x30°	15°
HBA-63	730	690	640	730	12	12x30°	15°
HBA-71	810	770	710	770	12	16x22'5°	11'25°
HBA-80	900	860	800	830	12	16x22'5°	11'25°
HBA-100	1115	1070	1000	1270	15	16x22'5°	11'25°

Characteristic curves

Q= Flow rate in m³/h, m³/h and cfm Pe= Static pressure in mm H₂O, Pa and inwg

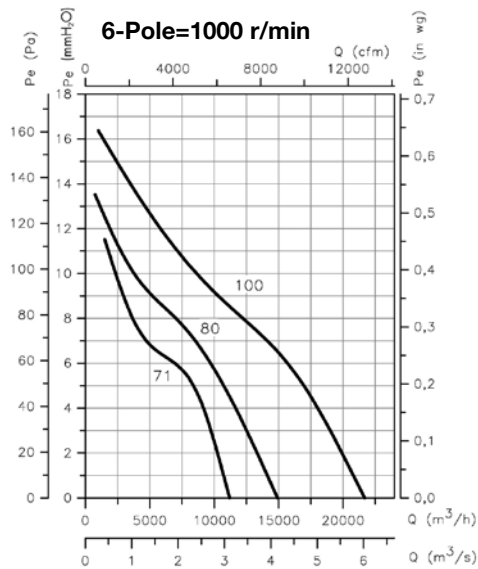
HBA



Characteristic curves

Q= Flow rate in m³/h, m³/h and cfm Pe= Static pressure in mm H₂O, Pa and inwg

HBA



VENTILATION SOLUTIONS



PRESSURISATION SYSTEMS FOR STAIRCASES



HATCH VENTILATION SYSTEMS



SMOKE EXTRACTION FOR PARKINGS



PROFESSIONAL KITCHENS



VENTILATION SYSTEMS FOR HOMES



CMV MULTI-ROOM APARTMENTS



AIR CURTAINS



ROOF-MOUNTED EXTRACT FANS



ATEX EXTRACT FANS



INDUSTRIAL APPLICATIONS



AXIAL SOLUTIONS





HEADQUARTER

Sodeca, S.L.U.
Pol. Ind. La Barricona
Carrer del Metall, 2
E-17500 Ripoll
Girona, SPAIN
Tel. +34 93 852 91 11
Fax: +34 93 852 90 42
General sales:
comercial@sodeca.com
Export sales:
ventilation@sodeca.com

PRODUCTION PLANT

Sodeca, S.L.U.
Ctra. de Berga, km 0,7
E-08580 Sant Quirze de
Besora
Barcelona, SPAIN
Tel. +34 93 852 91 11
Fax: +34 93 852 90 42
General sales:
comercial@sodeca.com
Export sales:
ventilation@sodeca.com



EUROPE

FINLAND

Sodeca Finland, Oy
HUITTINEN
Sales and Warehouse
Mr. Kai Yli-Sipilä
Metsälinnankatu 26
FI-32700 Huittinen
Tel. + 358 400 320 125
orders.finland@sodeca.com

HELSINKI
Smoke Control Solutions
Mr. Antti Kontkanen
Viilppulantie 9C
FI-00700 Helsinki
Tel. +358 400 237 434
akontkanen@sodeca.com

HYVINKÄÄ
Industrial Applications
Mr. Jaakko Tomperi
Niinistökatu 12
FI-05800 Hyvinkää
Tel. +358 451 651 333
jtomperi@sodeca.com

ITALIA

Marelli Ventilazione, S.R.L.
Viale del Lavoro, 28
37036 San Martino B.A.
(VR), ITALY
Tel. +39 045 87 80 140
vendite@sodeca.com

PORTUGAL

Sodeca Portugal, Unip. Lda.
PORTO
Rua Veloso Salgado 1120/1138
4450-801 Leça de Palmeira
Tel. +351 229 991 100
geral@sodeca.pt

LISBOA
Pq. Emp. da Granja Pav. 29
2625-607 Vialonga
Tel. +351 219 748 491
geral@sodeca.pt

ALGARVE
Rua da Alegria, 33
8200-569 Ferreiras
Tel. +351 289 092 586
geral@sodeca.pt

UNITED KINGDOM

Sodeca Fans UK, Ltd.
Mr. Mark Newcombe
Tamworth Enterprise Centre
Philip Dix House, Corporation
Street, Tamworth, B79 7DN
UNITED KINGDOM
Tel. +44 (0) 1827 216 109
sales@sodeca.co.uk

AMERICA

CHILE

Sodeca Ventiladores, SpA.
Sra. Sofía Ormazábal
Santa Bernardita 12.005
(Esquina con Puerta Sur)
Bodegas 24 a 26,
San Bernardo, Santiago, CHILE
Tel. +56 22 840 5582
ventas.chile@sodeca.com

COLOMBIA

Sodeca Latam, S.A.S.
Sra. Luisa Stella Prieto
Calle7 No. 13 A-44
Manzana 4 Lote1, Montaña
Mosquera, Cundinamarca
Bogotá, COLOMBIA
Tel. +57 1 756 4213
ventascolombia@sodeca.co

PERU

Sodeca Perú, S.A.C.
Sr. Jose Luis Jiménez
C/ Mariscal Jose Luis de
Orbegoso 331. Urb. El pino.
15022, San Luis. Lima, PERÚ
Tel. +51 1 326 24 24
Cel. +51 994671594
comercial@sodeca.pe



HEADQUARTERS
Sodeca, S.L.U.

Pol. Ind. La Barricona
Carrer del Metall, 2
E-17500 Ripoll
Girona, SPAIN
Tel. +34 93 852 91 11
Fax +34 93 852 90 42
General sales: comercial@sodeca.com
Export sales: ventilation@sodeca.com



www.sodeca.com

