

CENTRIFUGAL FANS AND IN-LINE DUCT EXTRACTOR FANS





SODECA has focused its business activity on the manufacture of industrial fans, ventilation systems and smoke extractor fans for fire protection since it was set up in 1983.

The fans and extractor fans manufactured by Sodeca are present in Europe and in many other parts of the world due to their quality and the research and development methods used. Our quality procedures, certified by BUREAU VERITAS in accordance with ISO 9001:2015, are another reason why SODECA is positioned as one of the best and most recognised fan manufacturer in Europe.

There is no doubt that the most important element in achieving our objectives is the human factor and the professionals who work in the company and offer not only ventilation equipment but solutions to all the needs of our customers in the ventilation sector. We offer them the option of visiting our facilities in Sant Quirze de Besora, with a developed surface area of more than 16,000 m², to see our fan production plant, which complies with the highest quality requirements and with the ISO and AMCA standards.

This catalogue contains just a few of all the options we offer. Please contact us and we will place all our experience and staff at your disposal.

Our environmental commitment

Sodeca has embarked on a new phase of studying and designing new ventilation trends to help protect the environment and save energy, both matters of great concern for modern society.

SODECA presents its new "Efficient Work" high performance fans, fitted with next-generation motors to obtain higher energy savings. These new products exceed the requirements of the ErP 2009/125/EC Ecodesign Directive and its regulating provisions (EU) 327/2011 for fans, and 1253/2014 for ventilation units, collaborating with the EU KYOTO Protocol objective of reducing carbon emissions.



**EFFICIENT
WORK**



CENTRIFUGAL FANS AND IN-LINE EXTRACTOR FANS

Since it was first established, Sodeca has specialised in the design and manufacture of fans and their accessories for industrial applications.

The combination of its experience gained over decades of working with fans and the technology provided by the engineers employed in its different departments has allowed Sodeca to occupy a leading international position as a fan manufacturer.

Industrial applications require an important capacity to adapt to the specifications of each project and flexibility in production in order to comply with the real needs of each client.

To comply with this objective, Sodeca has a standard products line and a specially-manufactured products line for building fans that meet the demands of our clients.

For many years, we have constantly invested in the development of processes and applications aimed at manufacturing and supplying special industrial fans with extremely tight deadlines in terms of their design and production.

The teamwork of our engineering department, in conjunction with universities and technological

centres, and the close cooperation between the design departments of our external partners has made it possible to obtain new industrial fan solutions in a very short space of time.

During our history, we have developed all manner of fan technology for industrial applications in all parts of the world. Our aim is to continue to invest in this sector in order to become one of the most reputed global industrial fan manufacturers.



Better energy performance E.C. Technology

High-performance systems with high-technology motorisations to achieve greater energy savings.

OUR IMPELLERS

NEOLINEO impeller

Axial-centrifugal impeller with a linear air direction design for operation at high pressures



CBD impeller

Double inlet, low pressure, multiblade impeller with reaction blades



CDXR impeller

Double inlet impeller with reaction blades for high flow rates



CMP impeller

Single inlet, medium pressure, multiblade impeller with reaction blades



CSXR impeller

Medium pressure, single inlet impeller with reaction blades



CMR impeller

Extremely robust, high-performance, single inlet impeller with reaction blades for high flow rates and pressures



CMRH impeller

Extremely robust, high-performance single inlet impeller with reaction blades designed for working with high temperatures



CA-CAM impeller

Impellers designed to obtain high pressures



CMT impeller

Extremely robust impellers, designed to carry dust and solids





NEW TOOL FOR ENGINEERING FIRMS AND TECHNICAL DEPARTMENTS

PROJECT MODULE

Prepare technical reports in minutes

- Select hundreds of models in a single step.
- Mass load your data in Excel.
- Edit and process the technical data sheets.
- Print out the report with a contents table and cover, edit it or send it to another QuickFan.



Easy
search



Personalise
reports



Always
updated



Reports in
minutes



OVERPRESSURE CALCULATION IN STAIRCASE AREAS

- Rapid calculation of the necessary staircase over-pressure flow rate for the most common systems, in accordance with UNE-EN 12101:2006.
- Easily configure the design for each floor or for evacuation route areas.



3D CAD MODELS

- Download our fans in 3D Cad from our website.
- Choose from among more than 40 available Cad formats, including Revit.
- More than 2,000 models and configurations available.



CAD 3D
models



Formats
available



Always
updated



Reports in
minutes



Available in:



COMPLIANCE WITH STANDARDS

SODECA fans and extractor fans comply with the following standards:

COMPLIANCE

ISO 9001:2015	Sistemas de gestión de la calidad. Requisitos. Quality management systems -- Requirements.
----------------------	---

TESTING

UNE-EN ISO 5801	Ventiladores industriales. Ensayos de comportamiento en circuitos normalizados. Industrial fans -- Performance testing using standardized airways.
AMCA 210-16	Ventiladores industriales. Métodos de ensayos de ventiladores y su representación de ensayos. Laboratory Methods of Testing Fans for Aerodynamic Performance Rating.
UNE-EN ISO 13350	Ventiladores industriales. Ensayos de comportamiento de ventiladores de chorro. Industrial fans -- Performance testing of jet fans.
ISO 13348	Industrial fans -- Tolerances, methods of conversion and technical data presentation.

HIGH TEMPERATURE FANS

UNE EN 12101-3	Sistemas de control de humos y calor. Parte 3: Especificaciones para aireadores extractores de humos y calor mecánicos. Smoke and heat control systems - Part 3: Specification for powered smoke and heat exhaust ventilators.
-----------------------	---

ACOUSTICS

UNE EN ISO 3744	Acustica Determinación de los niveles de potencia acústica de fuentes de ruido a partir de la presión acústica. Método de ingeniería para condiciones de campo libre sobre un plano reflectante. Acoustics -- Determination of sound power levels of noise sources using sound pressure -- Engineering method in an essentially free field over a reflecting plane.
------------------------	---

BALANCING AND VIBRATIONS

ISO 21940-11	Vibraciones mecánicas. Calidad de equilibrado. Mechanical vibration – rotor balancing - Part 11: Procedures and tolerances for rotors with rigid behaviour.
ISO 20816-1	Vibraciones mecánicas. Evaluación de las vibraciones de máquinas. Mechanical vibration – measurement and evaluation of machine vibration – Part 1: General guidelines.
ISO 14694	Industrial fans. Especificaciones para equilibrado y niveles de vibración. Industrial fans -- Specifications for balance quality and vibration levels.

SAFETY (EC Declaration of Conformity)

UNE EN ISO 12100	Seguridad de las máquinas. Principios generales para el diseño. Evaluación del riesgo y reducción del riesgo. Safety of machinery - General principles for design - Risk assessment and risk reduction.
UNE EN 60204-1	Seguridad de las máquinas. Equipo eléctrico de las máquinas. Parte 1: Requisitos generales. Safety of machinery - Electrical equipment of machines - Part 1: General requirements.
UNE EN ISO 13857	Seguridad de las máquinas. Distancias de seguridad para impedir que se alcancen zonas peligrosas con los miembros superiores e inferiores. Safety of machinery -- Safety distances to prevent danger zones being reached by upper and lower limbs.
UNE-EN ISO 12499	Ventiladores industriales. Seguridad mecánica en los ventiladores. Protección. Industrial fans -- Mechanical safety of fans -- Guarding.

DIRECTIVES AND REGULATIONS

Directive 2006/42/EC	Directiva de máquinas. Machinery Directive.	Regulation 305/2011	Condiciones armonizadas para la comercialización de productos de construcción. Harmonised conditions for the marketing of construction products.
Directive 2014/35/EU	Directiva de baja tensión. Low Voltage Directive.	Directive 2009/125/EC	Directiva de requisitos de diseño ecológico para productos que utilizan energía. Ecodesign Requirements for Energy-related Products Directive.
Directive 2014/30/EU	Directiva compatibilidad electromagnética. EMC Directive.		

ATEX EXECUTIONS

Directive ATEX 2014/34/EU	Aparatos y sistemas de protección para uso en atmósferas potencialmente explosivas. Equipment and protective systems intended for use in potentially explosive atmospheres.
UNE EN 14986	Diseño de ventiladores para trabajar en atmósferas potencialmente explosivas. Design of fans working in potentially explosive atmospheres.
UNE EN 13463-1	Equipos no eléctricos destinados a atmósferas potencialmente explosivas. Parte 1: Requisitos y metodología básica. Non-electrical equipment for use in potentially explosive atmospheres - Part 1: Basic method and requirements.
UNE EN 1127-1	Atmósferas explosivas. Prevención y protección contra la explosión. Parte 1: Conceptos básicos y metodología. Explosive atmospheres - Explosion prevention and protection - Part 1: Basic concepts and methodology.

IN-LINE DUCT FANS

CENTRIFUGAL FANS

COMMERCIAL APPLICATIONS

12 **SVE**
In-line duct extractor fans.



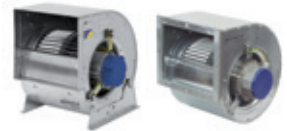
28 **NEOLINEO/EW**
In-line duct extractor fans.



43 **TUB**
In-line, high temperature extractor fans.



44 **CBD CBD 3V
CBD/B CBD/B 3V**
Low-pressure, double inlet, centrifugal fans with direct-drive motors.



12 **SVE/PLUS**
In-line duct extractor fans with 40 mm acoustic insulation.



31 **NEOSILENT**
In-line duct extractor fans with low noise levels.



49 **CBD/EW
CBD/B/EW**
High-efficiency centrifugal fans with E.C. Technology motors.



17 **SVE/PLUS/EW**
In-line, low noise, duct extractor fans with 40 mm acoustic insulation.



33 **CA/LINE**
In-line circular duct extractor fans with 3-speed motors.



51 **CJBD CJBD/AL**
Direct-drive fan units with double inlet fans.



20 **SVE/PLUS/EW/CPC**
Automatic operation, in-line duct extractor fans with low noise level, 40 mm insulation and constant pressure control.



36 **CL**
In-line low-profile rectangular extractor fans.



55 **CJBD/EW
CJBD/EW/AL**
Ventilation units with direct drive motors and double-inlet fans.



25 **NEOLINEO/V**
In-line duct extractor fans with long-life ball bearings.



36 **CL/PLUS**
In-line extractor fans for rectangular ducts with 50 mm insulation.



60 **CJBD/EW/CPC**
Automatic operation extractor units with acoustic insulation, E.C. Technology motors and constant pressure control.



64 CJV/EW
Automatic operation
extraction units with E.C.
Technology motors and
constant pressure control.



66 CBDRE CJBDR
Double-inlet centrifugal fans
with high efficiency external
rotor motors.



**70 CBX CBXC
CBXR CBXT**
Belt-driven double-inlet
centrifugal fans with shaft
outlet on both sides and
forward-curved impeller.



81 CJBX CJBX/AL
Belt-driven, acoustically-
insulated fan units fitted
with double inlet fans.



92 UDT
Ventilation units with
air treatment system
and direct-drive motors.



98 UDTX
Ventilation units with
belt-driven air treatment
systems.



106 CJTX-C
400 °C/2h belt-driven double
inlet extractor fan units.



**115 CDXR CDXRT
CJDXR**
Belt-driven double-inlet
centrifugal fans with shaft
outlet on both sides and
backward-curved impeller.



**129 CSXR CSXRT
CJSXR**
Single inlet, belt-driven cen-
trifugal fans with shaft outlet
and backward-curved
impeller.



141 TSA TSAT CJTSA
Single inlet, belt-driven
centrifugal fans with shaft
outlet and forward-curved
impeller.



150 CJSRX
400°C/2h extraction units
for outdoor operation.



159 CJBR
Ventilation units with
reaction impeller.



161 CKD
F-400 extractor fan units
with large doors and 40 mm
acoustic insulation.



161 CKDR
F-400 extractor fan units
with large doors and 40 mm
acoustic insulation.



164 CI-CO
Long-range induction
centrifugal jet fans.



CENTRIFUGAL FANS

INDUSTRIAL APPLICATIONS

166 CB
Single-inlet, centrifugal multi-blade impeller fans.



188 CMP/AL CJMP/AL
Medium pressure fans and ventilation units fitted with aluminium sheet impellers.



200 CAS
High pressure centrifugal sheet steel fans.



169 CPV
Corrosion-resistant fans made of plastic material.



190 CRL
Medium pressure, centrifugal, single-inlet fans with backward-curved impeller.



200 CAS-S
High pressure centrifugal sheet steel fans with sound attenuators.



174 CMA
Medium pressure centrifugal fans with cast aluminium impellers.



193 CMR
Extremely robust, medium pressure centrifugal fans.



209 CA
High pressure centrifugal cast aluminium fans.



178 CMPE
Extremely robust, medium pressure, single-inlet centrifugal fans with external rotor motor.



198 CBP
Medium pressure centrifugal fans.



213 CAM
High pressure centrifugal fans with cast aluminium impellers.



180 CMP
Medium pressure centrifugal fans fitted with sheet steel impellers.



198 CBPC
Medium pressure centrifugal fans with backward-curved impeller and vertical outlet.



217 CMP-X
Belt-driven fans fitted with electric motors and forward-curved impeller.



CENTRIFUGAL FANS

INDUSTRIAL APPLICATIONS

CENTRIFUGAL FANS

HEAVY DUTY



225 CMSH
Medium pressure centrifugal fans with backward-curved impeller.



240 PORT
Extremely robust, high power, portable air extractor fans.



241 CMRS
Extremely robust, medium pressure, centrifugal fans.



281 CAST
High pressure centrifugal fans for solid particle transportation.



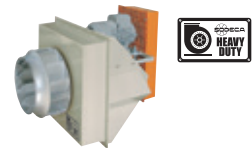
229 CMPH
Medium pressure centrifugal fans with multiblade effect impellers.



247 CMRS-X
Belt-driven fans fitted with electric motors and impeller with reaction blades.



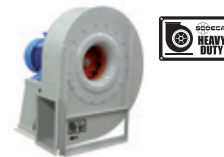
285 CMRH
Belt-driven fans fitted with electric motors for horizontal operation.



232 CMAT
Medium pressure centrifugal fans for solid particle transportation.



257 CASB
Extremely robust, high pressure, single inlet centrifugal fans.



235 CMTS
Medium pressure, single inlet centrifugal fans with straight-blade impellers for transporting smoke and solids.



265 CASB-X
High pressure belt-driven centrifugal fans.



237 CMT
Single-inlet fans with straight impeller blades for transporting smoke and solids.



277 CAB
Extremely robust, high pressure, single inlet centrifugal fans.



SVE SVE/PLUS



SVE: Low-noise, in-line duct extractor fans mounted inside an acoustic casing.

SVE/PLUS: Low-noise, in-line duct extractor fans mounted inside an acoustic casing with 40 mm phonoabsorbent insulation.



SVE



SVE/PLUS: Fitted with a folding inspection cover, except models 100-125-150/L-160/L

Fan:

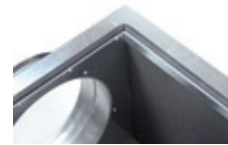
- Acoustic casing coated with phonoabsorbent material.
- Impeller with reaction blades except models 100-125-150-160-200/H, with multi-blade impeller.
- Standardised inlet and impulsion flanges allowing for easy installation in ducts.
- Fitted with a folding inspection cover, except models 100-125-160/L-150/L.
- Support feet built into the box, for easy installation.
- Linear airflow direction.

Motor:

- External rotor motors with built-in thermal protector, class F, with ball bearings, IP54 protection.
- Adjustable, single-phase 230 V 50 Hz/60 Hz.
- Maximum temperature of air to be carried: +50 °C.

Finish:

- Anti-corrosive finish on galvanised sheet steel.



40 mm acoustic insulation model SVE/PLUS



S version with built-in switch

Order code

SVE/PLUS — 150/H — S

SVE: In-line duct extractor fans
SVE/PLUS: In-line duct extractor fans with 40 mm insulation.

Nozzle diameter in mm

Flow rate
H: High flow rate
L: Low flow rate

Built-in off-on switch.

Technical characteristics

	Speed (r/min)	Maximum admissible current 230 V (A)	Max. electric power (kW)	Maximum flow rate (m ³ /h)	Irradiated sound level dB(A)	Approx. weight (kg)	Impeller type	According to ErP
SVE-100/L	1800	0.45	0.10	290	30	5.5	Forward	2018
SVE-125/H	2340	0.75	0.18	370	41	6	Forward	2018
SVE-125/L	1800	0.45	0.10	310	31	5.5	Forward	2018
SVE-150/H	2250	1.00	0.25	490	40	7	Forward	2018
SVE-150/L	1800	0.45	0.10	355	30	6	Forward	2018
SVE-160/H	2250	1.00	0.25	490	40	7	Forward	2018
SVE-200/H	1400	0.75	0.18	760	42	12	Forward	2018
SVE-200/L	2650	0.70	0.18	665	41	9	Backward	2018
SVE-250/H	2400	0.75	0.18	1140	49	11	Backward	2018
SVE-250/L	2750	0.75	0.17	684	41	9.5	Backward	2018
SVE-315/H	1400	0.65	0.14	1150	46	17.5	Backward	2018
SVE-350/H	1400	0.85	0.20	1524	44	21.5	Backward	2018
SVE-400/H	1350	1.20	0.30	1957	46	27	Backward	2018

Technical characteristics

	Speed (r/min)	Max. admissible current 230 V (A)	Max. electric power (kW)	Max. flow rate (m ³ /h)	Irradiated sound level dB(A)	Approx. weight (kg)	Type of impeller	According to ErP
SVE/PLUS-100/L	1800	0.45	0.10	290	27	9	Forward	2018
SVE/PLUS-125/H	2340	0.75	0.18	370	38	9.5	Forward	2018
SVE/PLUS-125/L	1800	0.45	0.10	310	28	9	Forward	2018
SVE/PLUS-150/H	2250	1.00	0.25	490	36	12	Forward	2018
SVE/PLUS-150/L	1800	0.45	0.10	355	26	9.5	Forward	2018
SVE/PLUS-160/H	2250	1.00	0.25	490	36	12	Forward	2018
SVE/PLUS-160/L	1800	0.45	0.10	355	26	9.5	Forward	2018
SVE/PLUS-200/H	1400	0.75	0.18	760	38	16.5	Forward	2018
SVE/PLUS-200/L	2650	0.7	0.18	640	37	13.5	Backward	2018
SVE/PLUS-250/H	2400	0.75	0.18	1140	44	15	Backward	2018
SVE/PLUS-250/L	2750	0.75	0.17	705	36	14	Backward	2018
SVE/PLUS-315/H	1400	0.65	0.14	1315	41	23	Backward	2018
SVE/PLUS-350/H	1400	0.85	0.20	1555	38	29.5	Backward	2018
SVE/PLUS-400/H	1350	1.20	0.30	2310	41	33	Backward	2018



Erp. (Energy Related Products)

Information on Directive 2009/125/EC can be downloaded from the SODECA website or the QuickFan selector programme.

Acoustic characteristics

The values given are determined by measuring the sound power in dB(A) obtained in a free field at a distance equivalent to twice the size of the fan plus the impeller diameter, with a minimum of 1.5 m.

SVE

Sound power spectrum Lw(A) in dB(A) per Hz frequency band.

	63	125	250	500	1000	2000	4000	8000
SVE-100/L	23	31	36	35	34	35	31	25
SVE-125/H	23	33	37	35	34	35	31	25
SVE-125/L	21	31	32	34	35	36	32	26
SVE-150/H	33	43	47	45	44	45	41	35
SVE-150/L	31	41	42	44	45	46	42	36
SVE-160/H	31	41	42	44	45	46	42	36
SVE-200/H	28	39	46	47	47	45	42	33

	63	125	250	500	1000	2000	4000	8000
SVE-200/L	29	40	47	48	48	46	43	34
SVE-250/H	27	37	42	48	47	46	43	35
SVE-250/L	35	45	50	56	55	54	51	43
SVE-315/H	30	40	45	52	53	51	48	39
SVE-350/H	29	39	43	50	51	49	47	38
SVE-400/H	32	42	46	53	54	52	50	41

SVE/PLUS

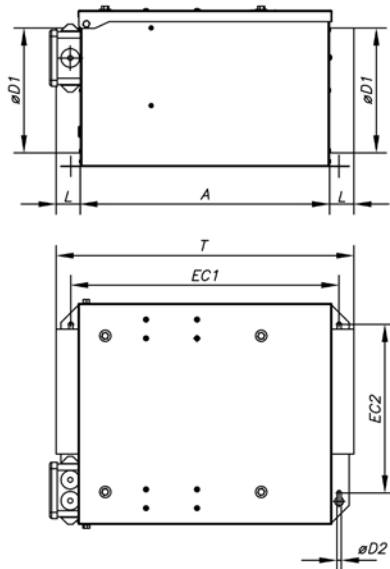
Sound power spectrum Lw(A) in dB(A) per Hz frequency band.

	63	125	250	500	1000	2000	4000	8000
SVE/PLUS-100/L	20	31	34	30	25	29	27	24
SVE/PLUS-125/H	30	43	45	40	35	39	37	34
SVE/PLUS-125/L	20	33	35	30	25	29	27	24
SVE/PLUS-150/H	28	41	40	39	36	40	38	35
SVE/PLUS-150/L	18	31	30	29	26	30	28	25
SVE/PLUS-160/H	28	41	40	39	36	40	38	35
SVE/PLUS-160/L	18	31	30	29	26	30	28	25

	63	125	250	500	1000	2000	4000	8000
SVE/PLUS-200/H	26	40	45	43	39	40	39	33
SVE/PLUS-200/L	25	39	44	42	38	39	38	32
SVE/PLUS-250/H	32	45	48	51	46	48	47	42
SVE/PLUS-250/L	24	37	40	43	38	40	39	34
SVE/PLUS-315/H	27	40	43	47	44	45	44	38
SVE/PLUS-350/H	26	39	41	45	42	43	43	37
SVE/PLUS-400/H	29	42	44	48	45	46	46	40

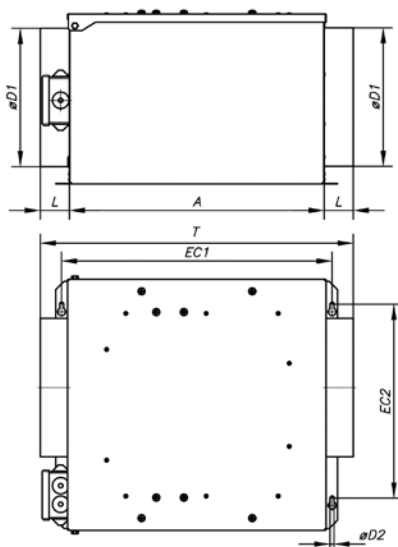
Dimensions mm

SVE



	A	B	C1	C2	$\phi D1$	L	$\phi D2$	EC1	EC2	T
SVE-100/L	300	265	82.5	180	100	36	7	330	205	372
SVE-125/L	300	265	80.5	180	125	36	7	330	205	372
SVE-125/H	300	265	80.5	180	125	36	7	330	205	372
SVE-150/L	300	265	88.5	180	150	40	7	330	205	380
SVE-150/H	300	260	100	195	150	40	7	330	190	380
SVE-160/H	300	260	100	195	160	40	7	330	190	380
SVE-200/L	400	350	127	250	200	40	7	430	270	480
SVE-200/H	400	350	127	250	200	40	7	430	270	480
SVE-250/L	400	350	142	290	250	48	7	430	280	496
SVE-250/H	400	350	142	290	250	48	7	430	280	496
SVE-315/H	515	480	175	355	315	48	7	545	405	610
SVE-350/H	575	545	211.5	410	350	58	7	605	445	690
SVE-400/H	650	610	230	455	400	74	7	680	520	800

SVE/PLUS



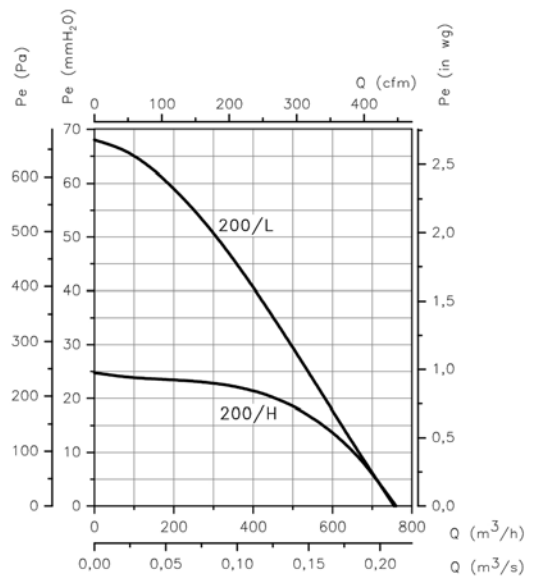
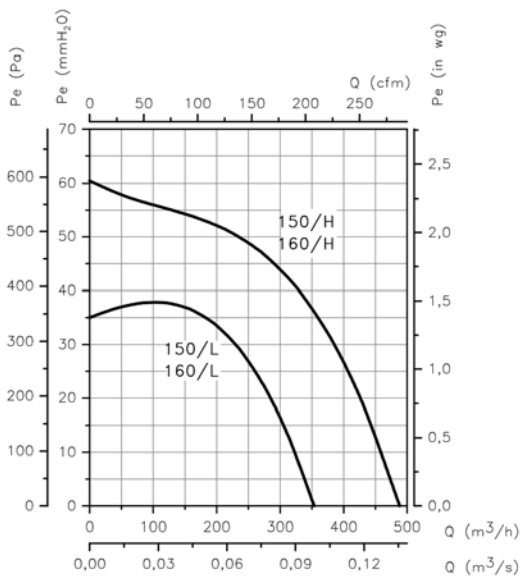
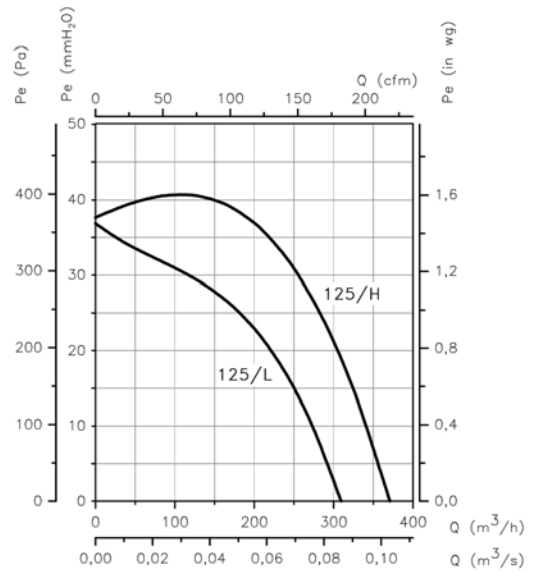
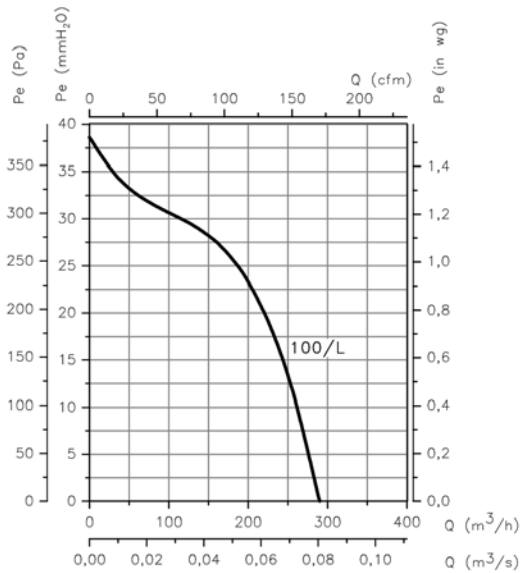
	A	B	C1	C2	$\phi D1$	L	$\phi D2$	EC1	EC2	T
SVE/PLUS-100/L	380	350	100	230	100	35	7	410	290	450
SVE/PLUS-125/L	380	350	100	230	125	35	7	410	290	450
SVE/PLUS-125/H	380	350	100	230	125	35	7	410	290	450
SVE/PLUS-150/L	380	350	110	230	150	35	7	410	290	450
SVE/PLUS-160/L	380	350	110	230	160	35	7	410	290	450
SVE/PLUS-150/H	380	335	165	265	150	37.5	7	405	265	455
SVE/PLUS-160/H	380	335	165	265	160	37.5	7	405	265	455
SVE/PLUS-200/L	460	450	162	285	200	37.5	7	490	380	535
SVE/PLUS-200/H	460	450	162	285	200	37.5	7	490	380	535
SVE/PLUS-250/L	460	450	156	310	250	52.5	7	490	380	565
SVE/PLUS-250/H	460	450	156	310	250	52.5	7	490	380	565
SVE/PLUS-315/H	565	540	210	390	315	57.5	9	595	440	680
SVE/PLUS-350/H	650	600	233.5	435	350	57.5	9	680	525	765
SVE/PLUS-400/H	650	680	263.5	500	400	77.5	9	680	600	805

Characteristic curves

Q= Flow rate in m³/h, m³/s and cfm

Pe= Static pressure in mmH₂O, Pa and inwg

**SVE
SVE/PLUS**

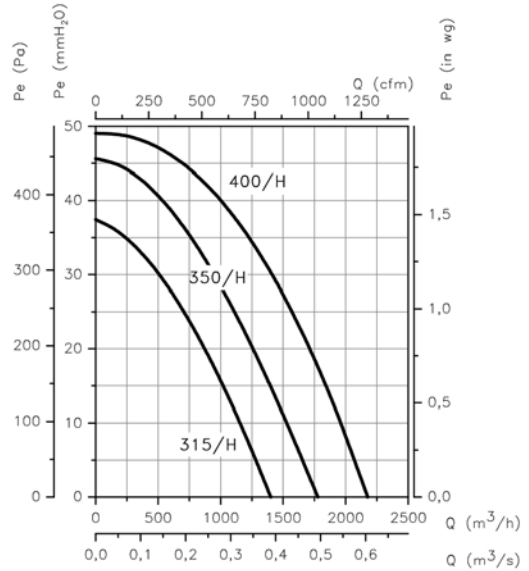
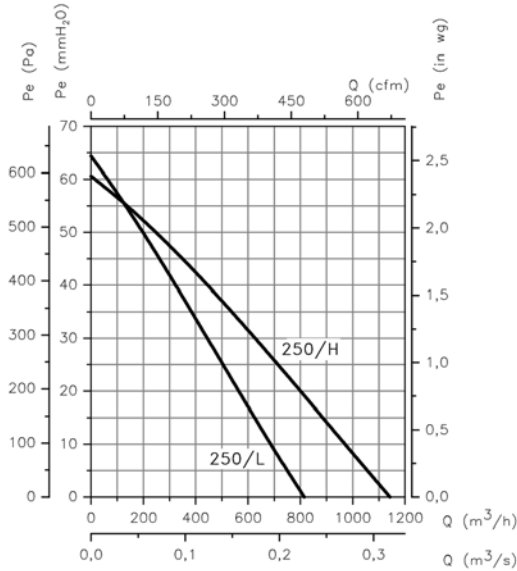


Characteristic curves

Q= Flow rate in m³/h, m³/s and cfm

Pe= Static pressure in mmH₂O, Pa and inwg

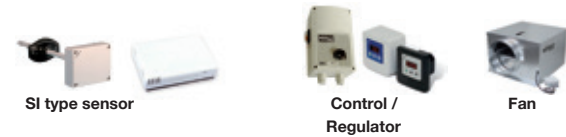
**SVE
SVE/PLUS**



Accessories



Recommended accessories



SI-HUMIDITY sensor	RMC	SV/SVE PLUS EC
SI CO2 sensor	RMC	SV/SVE PLUS EC
SI MF sensor (HUMIDITY + CO2)	RMC	SV/SVE PLUS EC
SI-PIR sensor	RMC	SV/SVE PLUS EC
SI-PIR	RM	SV/SVE PLUS AC

Accessories recommended to comply with ErP 2018

SVE/PLUS/EW



E.C. TECHNOLOGY
WITH BUILT-IN VSD



In-line, low noise duct extractor fans mounted inside a 40 mm phonoabsorbent acoustic casing.



Fan:

- Acoustic casing coated with phonoabsorbent material.
- All models fitted with a reaction impeller.
- Standardised inlet and impulsion flanges allowing for easy installation in ducts.
- Fitted with a folding inspection cover.
- Support feet built into the box, for easy installation.
- Linear airflow direction.
- Speed controlled by a built-in 10 k Ω MTP010 power meter or an external 0-10 V signal.

Motor:

- Single-phase 200-240 V 50/60 Hz, IP54 protection. Except model SVE/PLUS/EW-400/H, 200-277 V 50/60 Hz, IP55 protection.

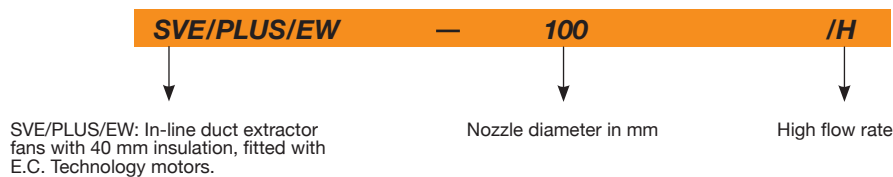
- Maximum temperature of air to be carried: -25 °C +60 °C. Except model SVE/PLUS/EW-200/H, -25 °C +45 °C.
- External E.C. Technology rotor motors with high efficiency and built-in variable speed drive controlled by 0-10 V signal.

Finish:

- Anti-corrosive finish on galvanised sheet steel.



Order code



Technical characteristics

	Speed (rpm)	Maximum admissible current 230 V (A)	Max. electric power (kW)	Maximum flow rate (m ³ /h)	Sound pressure level at 50% of max. speed* dB(A)	Approx. weight (kg)	According to ErP
SVE/PLUS/EW-100/H	3200	0.75	0.083	450	38	11	2018
SVE/PLUS/EW-125/H	3200	0.75	0.083	500	36	11	2018
SVE/PLUS/EW-150/H	3200	0.75	0.083	545	33	11	2018
SVE/PLUS/EW-160/H	3200	0.75	0.083	585	31	11	2018
SVE/PLUS/EW-200/H	3230	1.40	0.168	895	36	14	2018
SVE/PLUS/EW-250/H	2510	1.40	0.170	1140	38	14	2018
SVE/PLUS/EW-315/H	1525	1.20	0.150	1800	29	23	2018
SVE/PLUS/EW-350/H	1250	1.40	0.168	2475	35	32	2018
SVE/PLUS/EW-400/H	1170	1.10	0.250	3080	38	39	2018

*Irradiated sound pressure level in dB(A) at a distance of 1.5 m and at maximum flow rate.



Erp. (Energy Related Products)

Information on Directive 2009/125/EC can be downloaded from the SODECA website or the QuickFan selector programme.

Acoustic characteristics

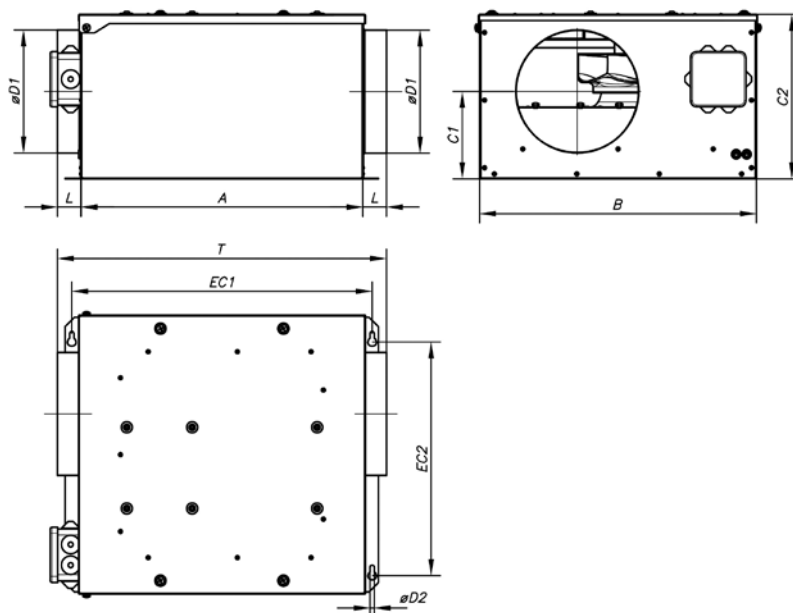
Sound power spectrum L_w(A) in dB(A) per Hz frequency band.

Irradiated values at maximum speed and medium flow rate

	63	125	250	500	1000	2000	4000	8000		63	125	250	500	1000	2000	4000	8000
SVE/PLUS/EW-100/H	38	43	45	47	49	53	47	43	SVE/PLUS/EW-250/H	46	44	43	45	55	35	34	30
SVE/PLUS/EW-125/H	37	43	45	48	50	53	48	44	SVE/PLUS/EW-315/H	30	44	33	32	44	25	24	19
SVE/PLUS/EW-150/H	32	42	41	51	44	44	44	40	SVE/PLUS/EW-350/H	37	50	40	42	36	29	26	14
SVE/PLUS/EW-160/H	33	43	42	47	45	46	45	41	SVE/PLUS/EW-400/H	37	52	41	42	34	29	27	27
SVE/PLUS/EW-200/H	50	50	43	50	44	42	45	45									

CENTRIFUGAL FANS AND IN-LINE DUCT EXTRACTOR FANS

Dimensions mm

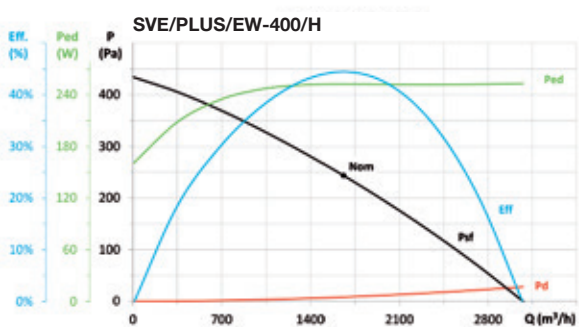
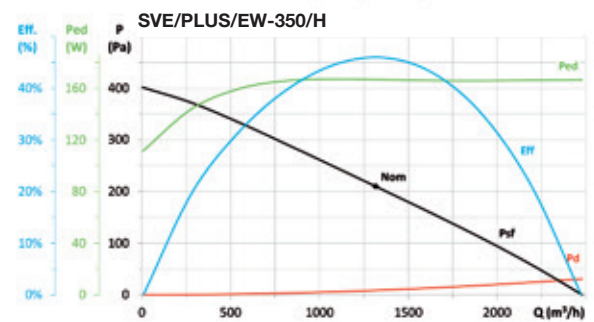
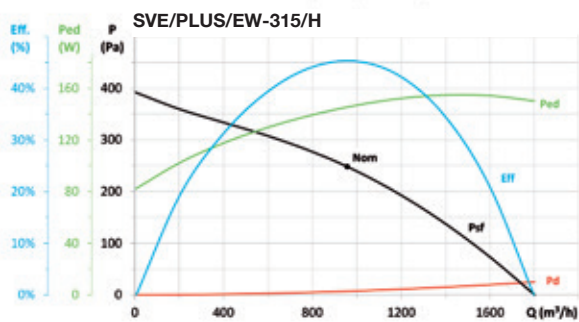
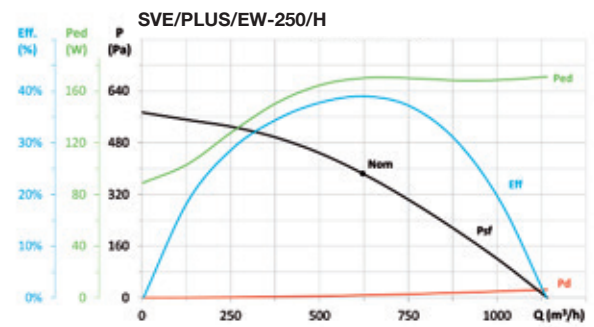
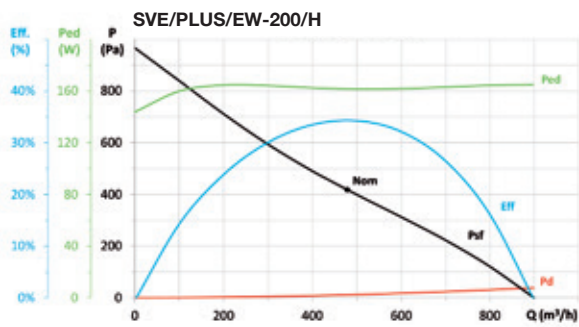
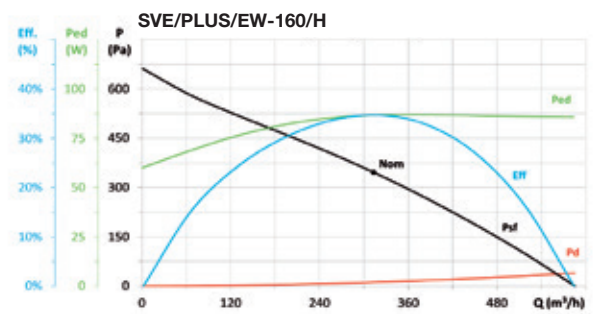
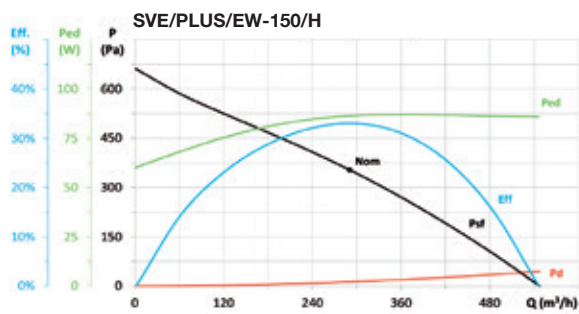
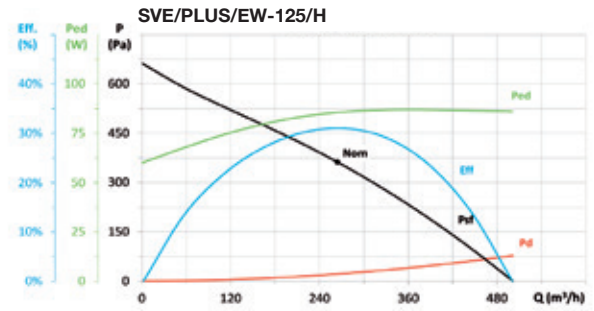
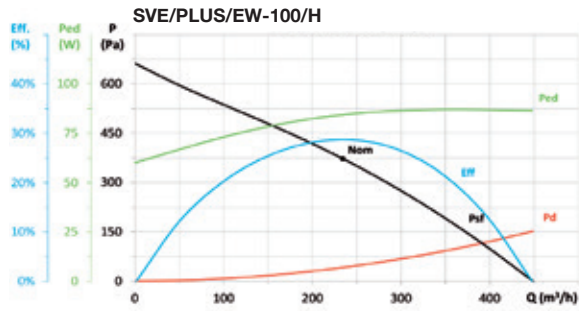


	A	B	C1	C2	øD1	L	øD2	EC1	EC2	T
SVE/PLUS/EW-100/H	380	380	174.5	255	100	37.5	7	405	305	455
SVE/PLUS/EW-125/H	380	380	164.5	255	125	37.5	7	405	305	455
SVE/PLUS/EW-150/H	380	380	160	255	150	37.5	7	405	305	455
SVE/PLUS/EW-160/H	380	380	155	255	160	37.5	7	405	305	455
SVE/PLUS/EW-200/H	460	450	140	265	200	37.5	7	485	380	535
SVE/PLUS/EW-250/H	460	450	165	310	250	52.5	7	485	380	565
SVE/PLUS/EW-315/H	565	540	210	390	315	57.5	9	595	440	680
SVE/PLUS/EW-350/H	650	600	265	465	350	57.5	9	680	525	765
SVE/PLUS/EW-400/H	650	680	280	500	400	80	9	680	600	810

Accessories



Characteristic curves



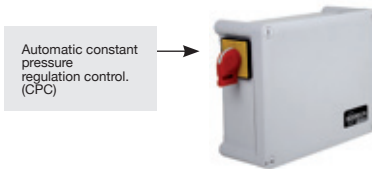
SVE/PLUS/EW/CPC



E.C. TECHNOLOGY
WITH BUILT-IN VSD



Low-noise, in-line duct extractor fans for automatic operation mounted inside a 40 mm phonoabsorbent acoustic insulated casing, with constant pressure control.



Automatic constant pressure regulation control (CPC)

Fan:

- Acoustic casing coated with phonoabsorbent material.
- All models fitted with a reaction impeller.
- Standardised inlet and impulsion flanges allowing for easy installation in ducts.
- Fitted with a folding inspection cover.
- Support feet built into the box, for easy installation.
- Linear airflow direction.

Motor:

- Single-phase 200-240 V 50/60 Hz, IP54 protection. Except model SVE/PLUS/EW-400/H, 200-277 V 50/60 Hz, IP55 protection.
- Maximum temperature of air to be carried: -25 °C +60 °C. Except model SVE/PLUS/EW-200/H, -25 °C +45 °C.
- External E.C. Technology rotor motors with high efficiency.

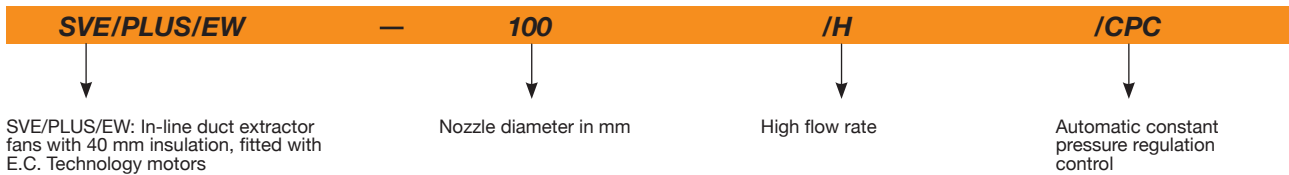
CPC control:

- Equipment preconfigured in constant pressure mode with 100 Pa setpoint.
- Possibility of adjustment to other pressures.
- Possibility of working with a constant flow rate.
- Plug&Play system for easy installation.
- Programming range from 0 to 2500 Pa.
- On-off switch with built-in safety locking system.
- 230 V AC single-phase and 380 V AC three-phase power versions.
- IP55 protection.

Finish:

- Anti-corrosive finish on galvanised sheet steel.

Order code



Technical characteristics

	Speed (rpm)	Maximum admissible current (A) 230 V	Max. electric power (kW)	Maximum flow rate (m ³ /h)	Sound pressure level at 50% of max. speed* dB(A)	Approx. weight (kg)	According to ErP
SVE/PLUS/EW-100/H/CPC	3200	0.75	0.083	450	38	11	2018
SVE/PLUS/EW-125/H/CPC	3200	0.75	0.083	500	36	11	2018
SVE/PLUS/EW-150/H/CPC	3200	0.75	0.083	545	33	11	2018
SVE/PLUS/EW-160/H/CPC	3200	0.75	0.083	585	31	11	2018
SVE/PLUS/EW-200/H/CPC	3230	1.40	0.168	895	36	14	2018
SVE/PLUS/EW-250/H/CPC	2510	1.40	0.170	1140	38	14	2018
SVE/PLUS/EW-315/H/CPC	1525	1.20	0.150	1800	29	23	2018
SVE/PLUS/EW-350/H/CPC	1250	1.40	0.168	2475	35	32	2018
SVE/PLUS/EW-400/H/CPC	1170	1.10	0.250	3080	38	39	2018

*Irradiated sound pressure level in dB(A) at a distance of 1.5 m and at maximum flow rate.

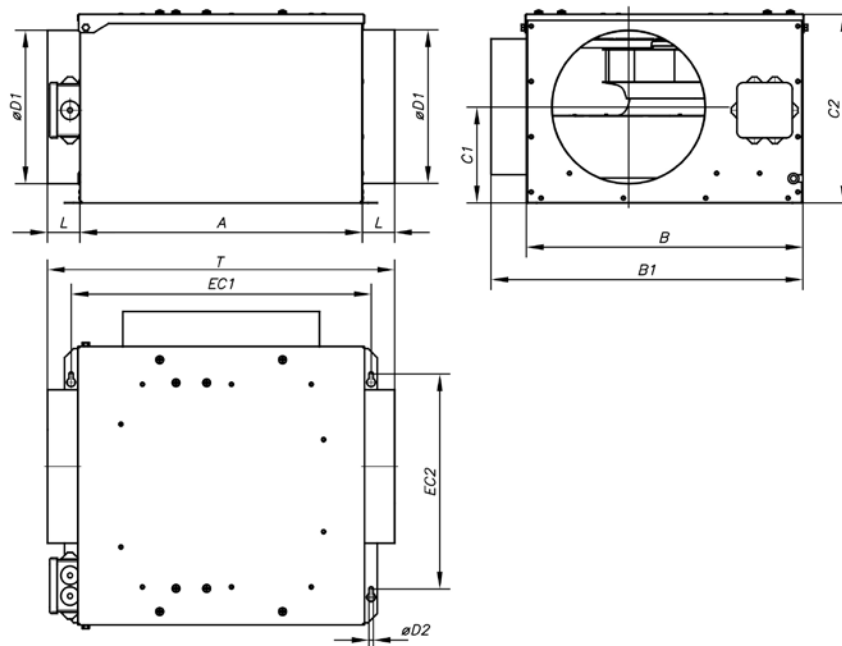
Acoustic characteristics

Sound power spectrum Lw(A) in dB(A) per Hz frequency band.

Irradiated values at maximum speed and medium flow rate

	63	125	250	500	1000	2000	4000	8000
SVE/PLUS/EW-100/H/CPC	38	43	45	47	49	53	47	43
SVE/PLUS/EW-125/H/CPC	37	43	45	48	50	53	48	44
SVE/PLUS/EW-150/H/CPC	32	42	41	51	44	44	44	40
SVE/PLUS/EW-160/H/CPC	33	43	42	47	45	46	45	41
SVE/PLUS/EW-200/H/CPC	50	50	43	50	44	42	45	45
SVE/PLUS/EW-250/H/CPC	46	44	43	45	55	35	34	30
SVE/PLUS/EW-315/H/CPC	30	44	33	32	44	25	24	19
SVE/PLUS/EW-350/H/CPC	37	50	40	42	36	29	26	14
SVE/PLUS/EW-400/H/CPC	37	52	41	42	34	29	27	27

Dimensions mm

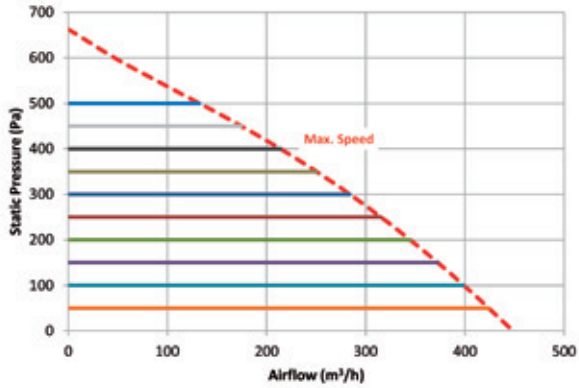


	A	B	C1	C2	øD1	L	øD2	EC1	EC2	T	B1
SVE/PLUS/EW-100/H/CPC	380	380	174.5	255	100	37.5	7	405	305	455	470
SVE/PLUS/EW-125/H/CPC	380	380	164.5	255	125	37.5	7	405	305	455	470
SVE/PLUS/EW-150/H/CPC	380	380	160	255	150	37.5	7	405	305	455	470
SVE/PLUS/EW-160/H/CPC	380	380	155	255	160	37.5	7	405	305	455	470
SVE/PLUS/EW-200/H/CPC	460	450	140	265	200	37.5	7	485	380	535	540
SVE/PLUS/EW-250/H/CPC	460	450	165	310	250	52.5	7	485	380	565	540
SVE/PLUS/EW-315/H/CPC	565	540	210	390	315	57.5	9	595	440	680	630
SVE/PLUS/EW-350/H/CPC	650	600	265	465	350	57.5	9	680	525	765	690
SVE/PLUS/EW-400/H/CPC	650	680	280	500	400	80	9	680	600	810	770

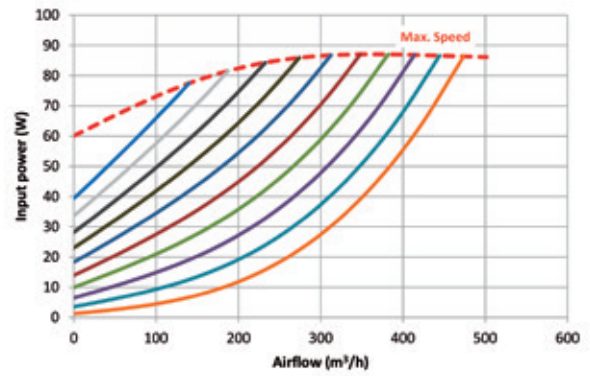
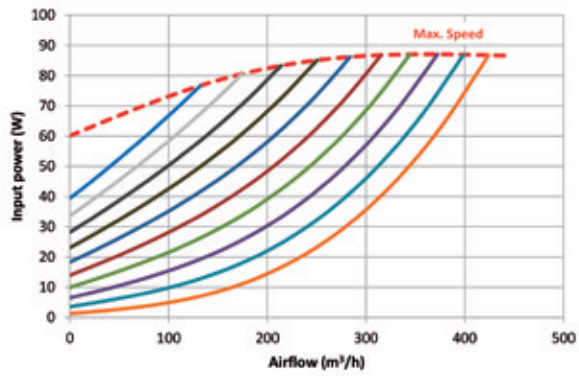
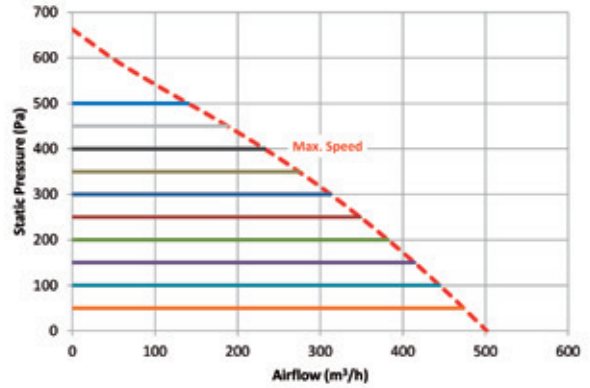
Characteristic curves

Constant pressure curves, with free inlet.

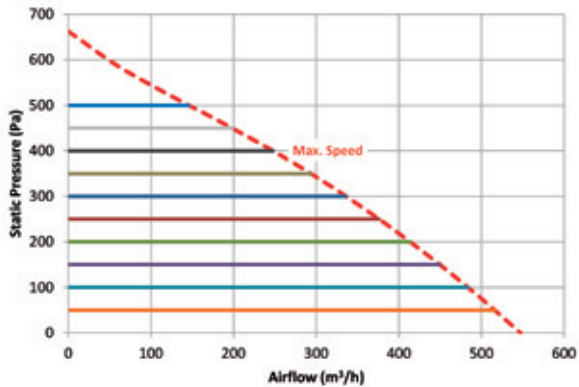
SVE/PLUS/EW-100/H/CPC



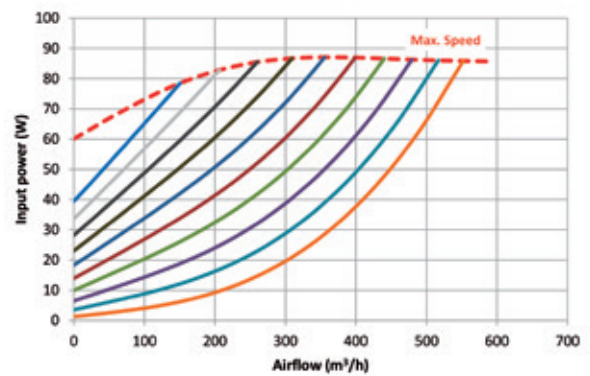
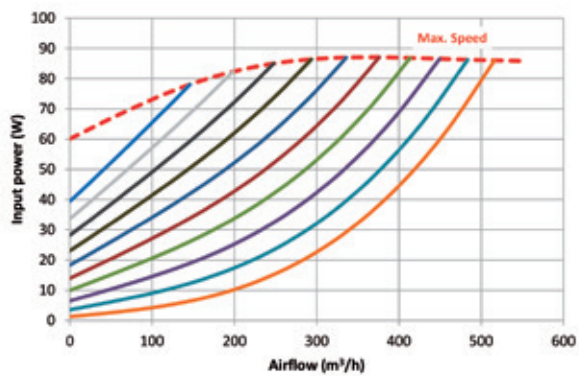
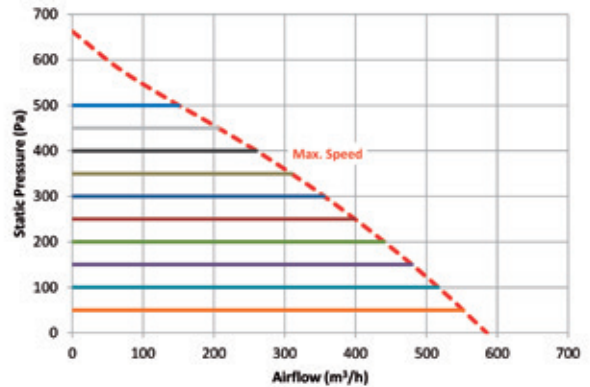
SVE/PLUS/EW-125/H/CPC



SVE/PLUS/EW-150/H/CPC



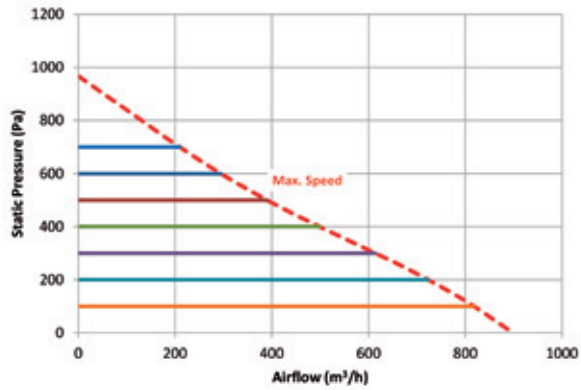
SVE/PLUS/EW-160/H/CPC



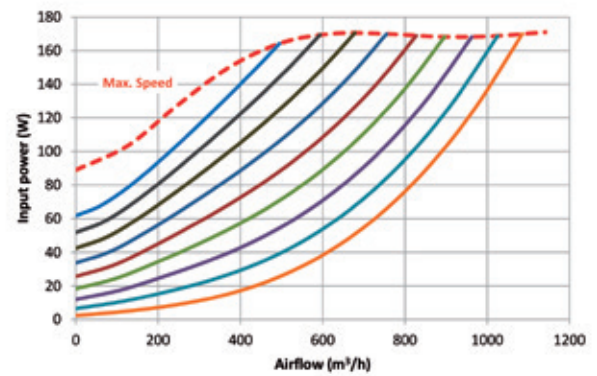
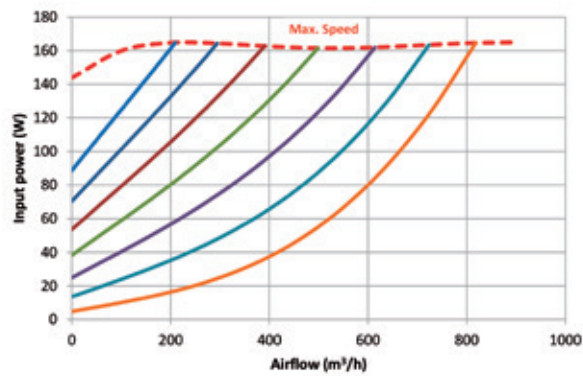
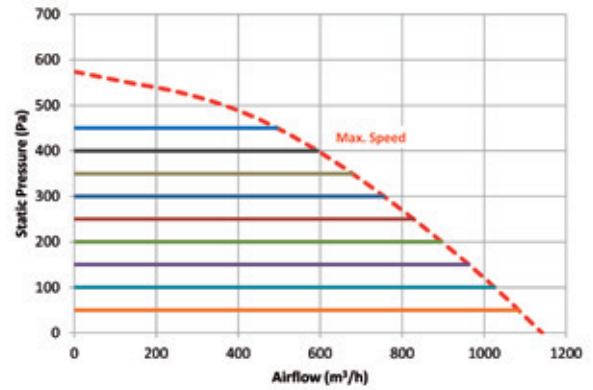
Characteristic curves

Constant pressure curves, with free inlet.

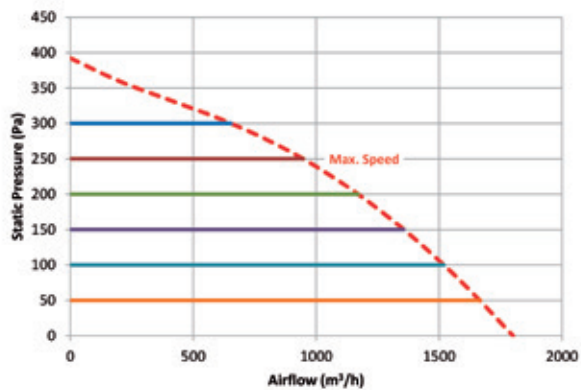
SVE/PLUS/EW-200/H/CPC



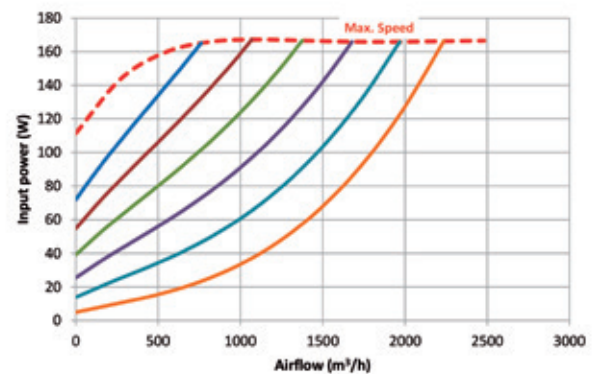
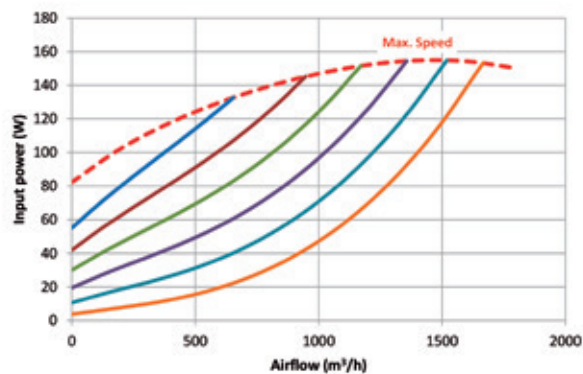
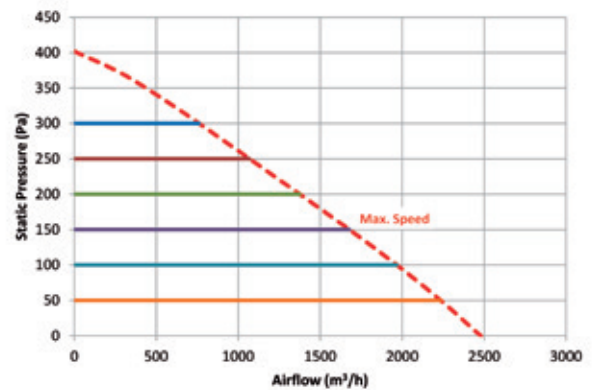
SVE/PLUS/EW-250/H/CPC



SVE/PLUS/EW-315/H/CPC

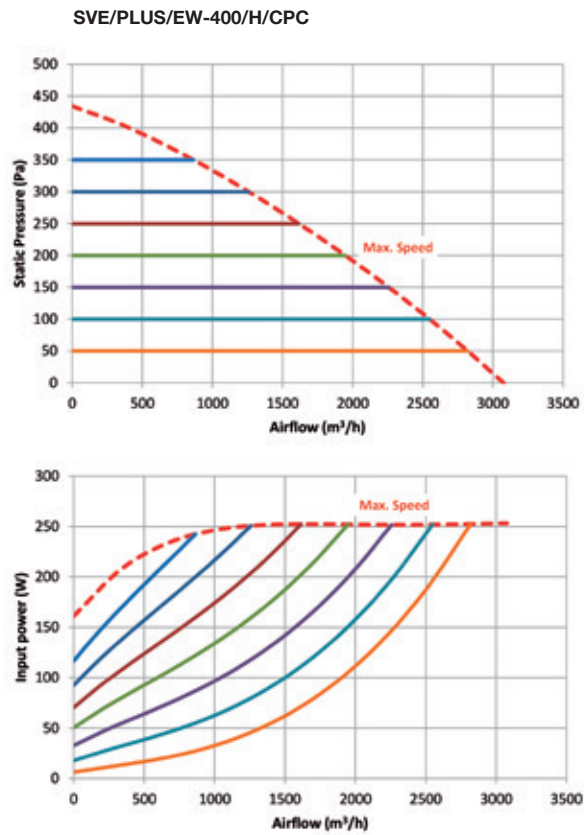


SVE/PLUS/EW-350/H/CPC



Characteristic curves

Constant pressure curves, with free inlet.



Accessories

See accessories section.



NEOLINEO/V

In-line duct extractor fans with a detachable body and small size and long-life ball bearings



Fan:

- Casing made of self-extinguishing V0 plastic material.
- External terminal box with variable position.
- Easy, rapid installation.
- The T models are fitted with a timer.

Finish:

- Made of V0 white, plastic, self-extinguishing material.

Motor:

- 2-speed, adjustable motors with long-life ball bearings and IPX4 protection.
- Single-phase 220-240 V. 50/60 Hz.
- Operating temperature -10 °C +60 °C.

Order code

NEOLINEO/V — 125 — (T)

NEOLINEO/V: In-line duct extractor fans with a detachable body and small size and long-life ball bearings

Nozzle diameter in mm

Reference T, with a built-in timer

Technical characteristics

	Speed (r/min) min./max.	Maximum admissible current (A) min./max.	Max. electric power (kW) min./max.	Maximum flow rate (m ³ /h) min./max.	Irradiated sound level* dB(A) min./max.	Approx. weight (kg)	According to ErP
NEOLINEO 100/V	2180 / 2385	0.11 / 0.21	0.021 / 0.033	145 / 187	26 / 30	1.5	Excluded
NEOLINEO 100/V-T	2180 / 2385	0.11 / 0.21	0.021 / 0.033	145 / 187	26 / 30	1.5	Excluded
NEOLINEO 125/V	1950 / 2455	0.18 / 0.27	0.023 / 0.037	220 / 280	28 / 35	1.4	Excluded
NEOLINEO 125/V-T	1950 / 2455	0.18 / 0.27	0.023 / 0.037	220 / 280	28 / 35	1.4	Excluded
NEOLINEO 150/V	1680 / 2460	0.17 / 0.27	0.030 / 0.060	405 / 520	30 / 35	2.7	Excluded
NEOLINEO 150/V-T	1680 / 2460	0.17 / 0.27	0.030 / 0.060	405 / 520	30 / 35	2.7	Excluded
NEOLINEO 160/V	1680 / 2460	0.17 / 0.27	0.030 / 0.060	405 / 520	30 / 35	2.7	Excluded
NEOLINEO 160/V-T	1680 / 2460	0.17 / 0.27	0.030 / 0.060	405 / 520	30 / 35	2.7	Excluded
NEOLINEO 200/V	1915 / 2380	0.34 / 0.48	0.076 / 0.108	830 / 1040	32 / 38	4.0	Excluded
NEOLINEO 200/V-T	1915 / 2380	0.34 / 0.48	0.076 / 0.108	830 / 1040	32 / 38	4.0	Excluded
NEOLINEO 250/V	1955 / 2440	0.54 / 0.79	0.125 / 0.177	1110 / 1400	45 / 55	7.8	2015
NEOLINEO 315/V	1890 / 2430	1.00 / 1.42	0.230 / 0.320	1570 / 2050	49 / 58	12.0	2015

*Irradiated sound pressure levels obtained at a distance of 3 metres in a free field, with rigid inlet/exhaust tubes.

Acoustic characteristics

Noise power spectrum Lw(A) in dB(A) frequency band in [Hz]

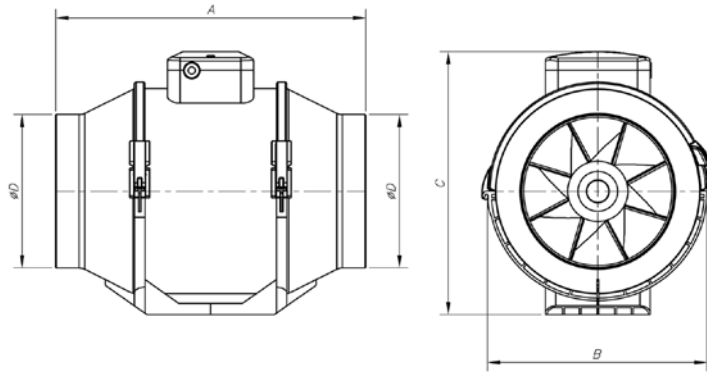
Values taken during inlet with 2/3 maximum flow rate (2/3 Qmax)

	63	125	250	500	1000	2000	4000	8000
NEOLINEO/V-100	23	35	61	58	56	48	43	30
NEOLINEO/V-125	28	38	57	58	57	52	43	29
NEOLINEO/V-150	42	52	71	69	67	64	56	43
NEOLINEO/V-160	42	52	71	69	67	64	56	43
NEOLINEO/V-200	38	50	69	70	74	73	65	51
NEOLINEO/V-250	51	58	73	85	82	78	67	55
NEOLINEO/V-315	39	55	72	80	82	78	69	54

Values taken during exhaust with 2/3 maximum flow rate (2/3 Qmax)

	63	125	250	500	1000	2000	4000	8000
NEOLINEO/V-100	22	34	60	57	55	48	42	29
NEOLINEO/V-125	27	37	55	57	56	51	42	29
NEOLINEO/V-150	41	50	70	69	66	63	56	42
NEOLINEO/V-160	41	50	70	69	66	63	56	42
NEOLINEO/V-200	36	49	68	69	72	72	63	49
NEOLINEO/V-250	50	57	72	84	81	77	66	54
NEOLINEO/V-315	38	55	71	79	81	78	68	53

Dimensions mm



	A	B	C	øD
NEOLINEO-100/V	246	167	190	96
NEOLINEO-100/V-T	246	167	190	96
NEOLINEO-125/V	246	167	190	123
NEOLINEO-125/V-T	246	167	190	123
NEOLINEO-150/V	295	223	250	146
NEOLINEO-150/V-T	295	223	250	146
NEOLINEO-160/V	295	233	250	158
NEOLINEO-160/V-T	295	233	250	158
NEOLINEO-200/V	295.5	239	261	199
NEOLINEO-200/V-T	295.5	239	261	199
NEOLINEO-250/V	383	287	323	247
NEOLINEO-315/V	445	362	408	310



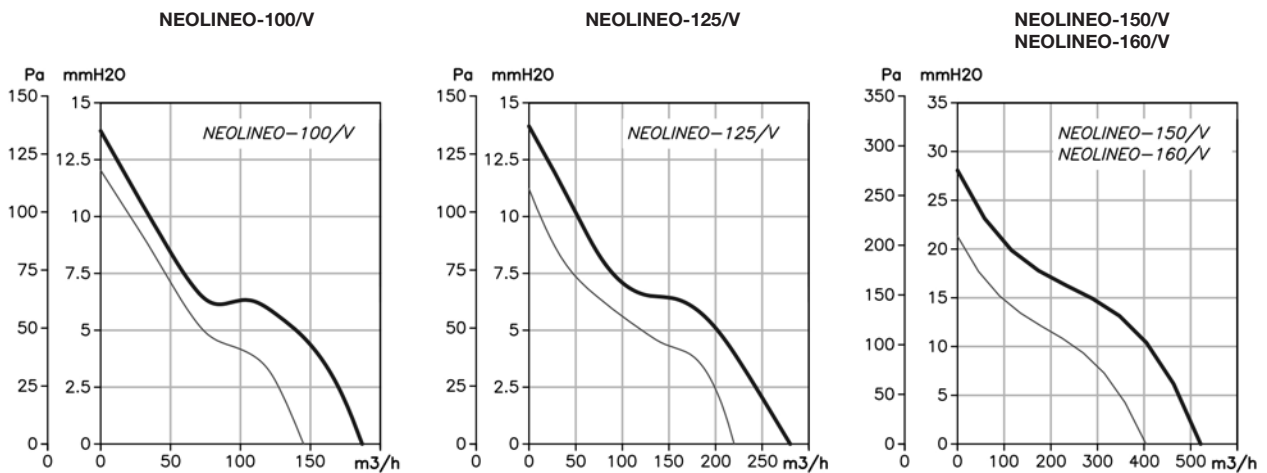
Erp. (Energy Related Products)

Information on Directive 2009/125/EC can be downloaded from the SODECA website or the QuickFan selector programme.

Characteristic curves

Q= Flow rate in m³/h, m³/s and cfm

Pe= Static pressure in mmH²O, Pa and inwg

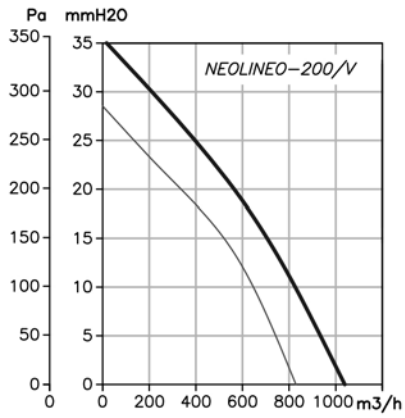


Characteristic curves

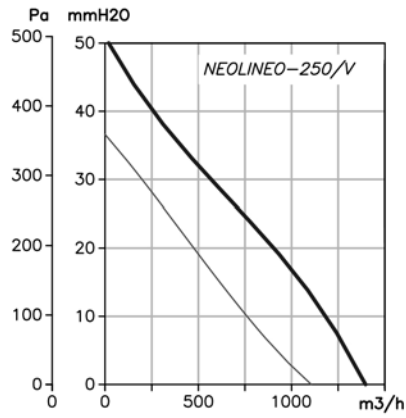
Q= Flow rate in m³/h, m³/s and cfm

Pe= Static pressure in mmH²O, Pa and inwg

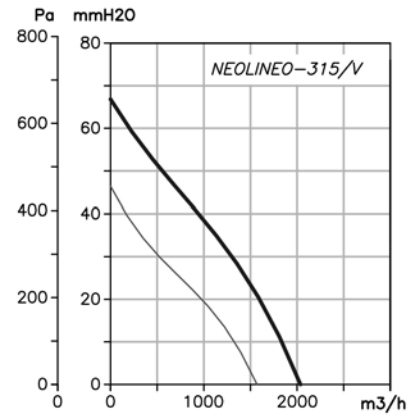
NEOLINEO-200/V



NEOLINEO-250/V



NEOLINEO-315/V



NEOLINEO/EW



E.C. TECHNOLOGY
WITH BUILT-IN VSD



In-line duct extractor fans with a detachable body and small size, fitted with an E.C. Technology motor.



CONTROL
Supplied as an
optional accessory

Fan:

- Casing made of self-extinguishing V0 plastic material.
- External terminal box with variable position.
- Easy, rapid installation.

Motor:

- E.C. Technology motors fitted with long-life ball bearings.
- IP44 protection.
- Two-speed selector switch.
- Each speed can be adjusted by a power meter in the terminal box. Model 315 adjustable using 0-10 V external signal.

- Single-phase 220/-240 V-50 Hz.
- Operating temperature:
Models 100, 125 and 150: -10 °C +60 °C.
Models 200, 250 and 315: -10 °C +50 °C.

Finish:

- Made of V0 white, plastic, self-extinguishing material.

Order code

NEOLINEO/EW — 100 — (Q)

NEOLINEO/EW: In-line duct extractor fans with a detachable body and small size, fitted with E.C. Technology motors.

Nozzle diameter
in mm

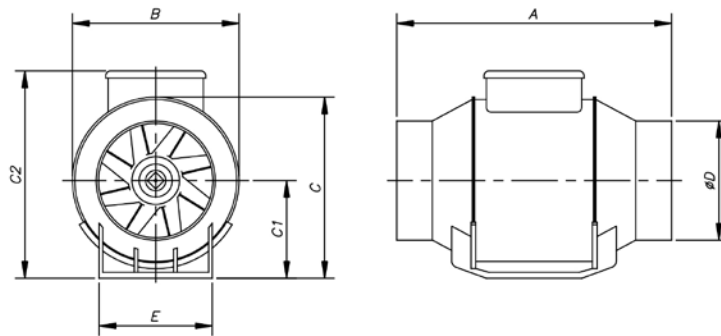
Q reference,
low flow rate level

Technical characteristics

	Speed regulation	Speed (r/min) min./max.	Current (A) min./max.	Power (W) min./max.	Maximum flow rate (m ³ /h) min./max.	Sound pressure level Lp dB(A)* min./max.	Approx. weight (kg)	According to ErP
NEOLINEO/EW-100-Q	Min. sp.	1420/2120	0.05/0.08	4.5/7	90/145	21/33	1.5	Excluded
	Nom. sp.	2125/2850	0.07/0.12	7/12	155/210	29/40		
	Max. sp.	2560/3300	0.10/0.16	10/16.5	170/230	34/45		
NEOLINEO/EW-100	Min. sp.	1320/1650	0.06/0.09	5.5/8	140/185	25/31	1.9	Excluded
	Nom. sp.	1620/2000	0.09/0.12	8/12	180/255	31/36		
	Max. sp.	1920/2330	0.11/0.17	11/17	220/270	36/41		
NEOLINEO/EW-125	Min. sp.	1285/1660	0.07/0.11	6.5/10.5	190/270	29/35	1.8	Excluded
	Nom. sp.	1600/2040	0.10/0.17	10/17	250/365	35/40		
	Max. sp.	1870/2370	0.13/0.22	13.5/24	300/380	39/44		
NEOLINEO/EW-150	Min. sp.	1340/1895	0.10/0.20	10/22	325/440	35/44	2.2	Excluded
	Nom. sp.	1630/2230	0.15/0.31	15/35	385/550	42/47		
	Max. sp.	1870/2560	0.20/0.44	22/52	465/620	46/53		
NEOLINEO/EW-160	Min. sp.	1300/1900	0.10/0.21	10/23	325/450	34/45	2.1	Excluded
	Nom. sp.	1560/2290	0.15/0.33	15/38	385/570	39/48		
	Max. sp.	1830/2620	0.20/0.45	22/55	465/630	46/54		
NEOLINEO/EW-200	Min. sp.	1990/2330	0.21/0.32	22/34	620/760	39/44	2.5	Excluded
	Nom. sp.	2400/2820	0.33/0.50	36/57	750/1000	45/46		
	Max. sp.	2750/3120	0.47/0.63	53/74	870/1080	45/48		
NEOLINEO/EW-250	Min. sp.	1720/2280	0.26/0.54	27/59	650/850	43/51	5.3	Excluded
	Nom. sp.	2100/2750	0.42/0.83	45/95	800/1150	47/55		
	Max. sp.	2400/3010	0.59/1.06	65/124	920/1250	51/57		
NEOLINEO/EW-315		1800/2350	0.83/1.60	119/240	1400/1900	53/61	9.5	2015

*Irradiated sound pressure levels obtained at a distance of 3 metres in a free field, with rigid inlet/exhaust tubes.

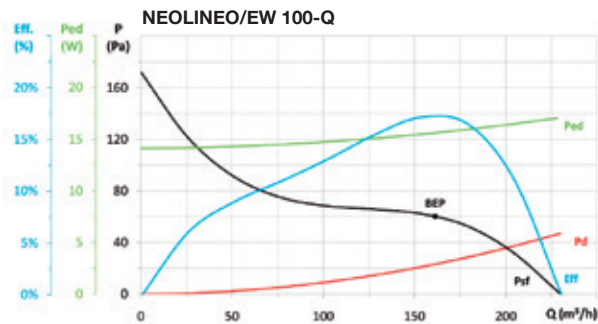
Dimensions mm



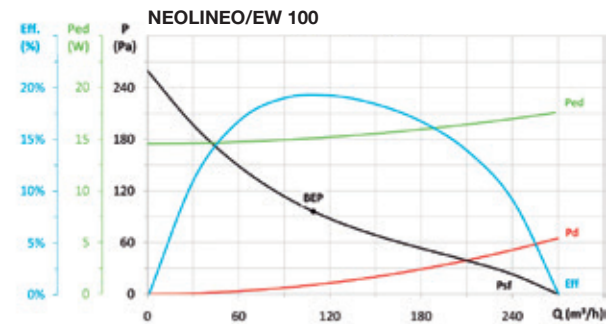
	A	B	C	C1	C2	ØD	E
NEOLINEO/EW-100-Q	231	156	205	82	152	96	95
NEOLINEO/EW-100	303	188.5	240	101.5	189	96	90
NEOLINEO/EW-125	258	188.5	240	101.5	189	122	90
NEOLINEO/EW-150	294	214.5	265	112.5	212	146	110
NEOLINEO/EW-160	272.5	214.5	265	112.5	212	156	110
NEOLINEO/EW-200	300	234.5	290	125.5	235	196	140
NEOLINEO/EW-250	385	300	350	152.5	292	247	176.5
NEOLINEO/EW-315	448	361.5	460	188.5	359	312	220.5



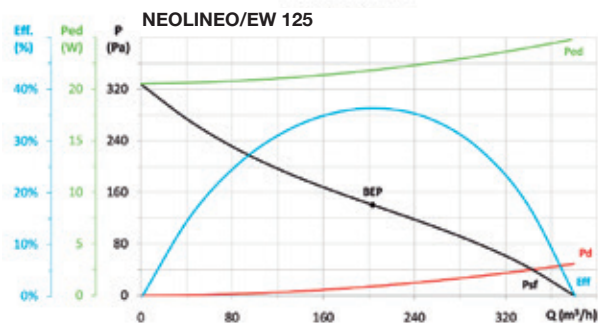
Erp. Characteristic curves and ErP data



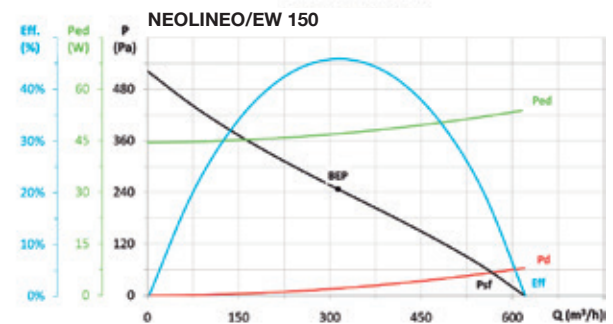
MC	EC	SR	Cc	η_{is} (%)*	N	[kW]	[m ³ /h]	[Pa]	[rpm]	VSD
A	S	-	-	-	-	0,016	161	60	3300	INTEGRATED



MC	EC	SR	Cc	η_{is} (%)*	N	[kW]	[m ³ /h]	[Pa]	[rpm]	VSD
A	S	-	-	-	-	0,015	109	96	2330	INTEGRATED



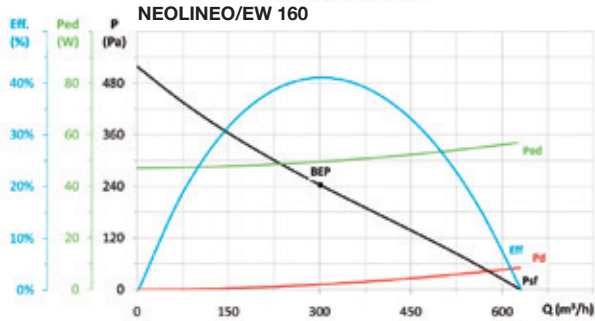
MC	EC	SR	Cc	η_{is} (%)*	N	[kW]	[m ³ /h]	[Pa]	[rpm]	VSD
A	S	-	-	-	-	0,022	203	140	2370	INTEGRATED



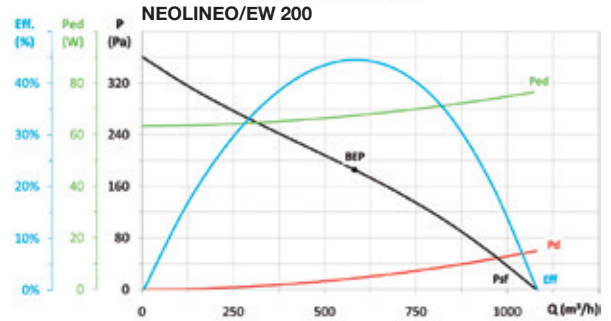
MC	EC	SR	Cc	η_{is} (%)*	N	[kW]	[m ³ /h]	[Pa]	[rpm]	VSD
A	S	-	-	-	-	0,047	313	247	2560	INTEGRATED



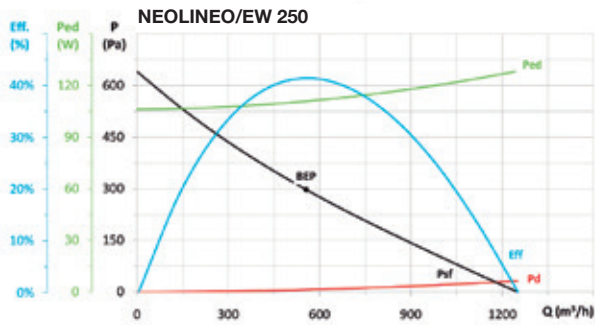
Erp. Characteristic curves and ErP data



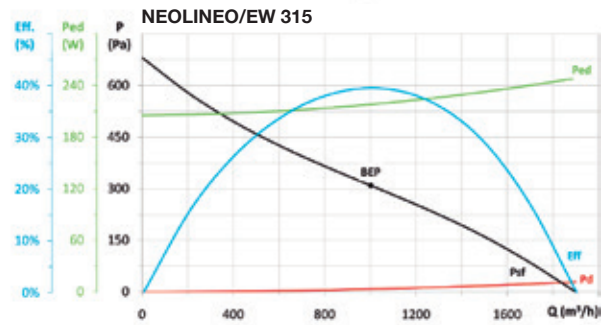
MC	EC	SR	Cc	η_e (%)*	N	[kW]	[m³/h]	[Pa]	[rpm]	VSD
A	S	-	-	-	-	0,049	301	242	2620	INTEGRATED



MC	EC	SR	Cc	η_e (%)*	N	[kW]	[m³/h]	[Pa]	[rpm]	VSD
A	S	-	-	-	-	0,067	582	185	3120	INTEGRATED



MC	EC	SR	Cc	η_e (%)*	N	[kW]	[m³/h]	[Pa]	[rpm]	VSD
A	S	-	-	-	-	0,111	556	297	3010	INTEGRATED



MC	EC	SR	Cc	η_e (%)*	N	[kW]	[m³/h]	[Pa]	[rpm]	VSD
A	S	1,00	1,13	44,8%	62,3	0,218	1002	309	2350	INTEGRATED

* η_e (%) = Eff. (%) x Cc

NEOSILENT



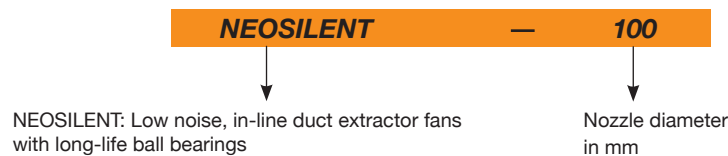
Low noise, in-line duct extractor fans with long-life ball bearings.



- Fan:**
- Sheet steel casing.
 - Thermal and acoustic insulation with rockwool.
 - Internal perforated casing to facilitate noise absorption.
 - External terminal box.
 - Easy, rapid installation.

- Motor:**
- 2-speed motors with long-life ball bearings and IPX4 protection.
 - Single-phase 220-240 V 50/60 Hz.
 - Operating temperature: -10 °C +60 °C.
- Finish:**
- Anti-corrosive finish on grey polymer coating.

Order code



Technical characteristics

	Speed (r/min) min./max.	Max. current (A) min./max.	Max. electric power (kW) min./max.	Maximum flow rate (m ³ /h) min./max.	Irradiated sound level* (dBA) min./max.	Approx. weight (kg)	According to ErP
NEOSILENT 100	2030 / 2630	0.10/0.11	0.024 / 0.026	170 / 240	24 / 29	4.6	Excluded
NEOSILENT 125	1650 / 2310	0.11/0.13	0.025 / 0.030	230 / 340	23 / 28	4.6	Excluded
NEOSILENT 150	1970 / 2645	0.20/0.23	0.045 / 0.052	405 / 555	26 / 33	6.1	Excluded
NEOSILENT 200	2015 / 2445	0.35/0.49	0.078 / 0.110	810 / 1020	31 / 36	8.0	Excluded
NEOSILENT 250	1965 / 2495	0.52/0.79	0.127 / 0.178	1050 / 1330	34 / 38	15.0	2015
NEOSILENT 315	1975 / 2545	0.93/1.41	0.213 / 0.313	1530 / 1950	36 / 40	25.0	2015

(*) Irradiated sound pressure levels obtained at a distance of 3 metres in a free field, with rigid inlet/exhaust tubes.



Erp. (Energy Related Products)

Information on Directive 2009/125/EC can be downloaded from the SODECA website or the QuickFan selector programme.

Acoustic characteristics

Irradiated sound power spectrum Lw(A) in dB(A) per Hz frequency band

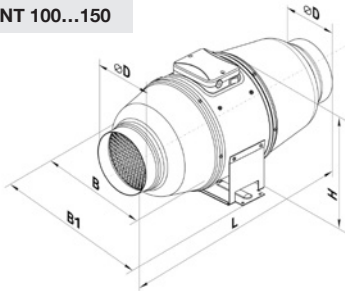
Irradiated values at maximum speed and medium flow rate

	63	125	250	500	1000	2000	4000	8000
NEOSILENT 100	15	14	17	25	29	21	22	14
NEOSILENT 125	17	20	23	27	28	22	21	15
NEOSILENT 150	19	22	39	35	36	33	24	21
NEOSILENT 200	22	30	31	38	41	42	29	22
NEOSILENT 250	25	33	48	41	53	49	41	29
NEOSILENT 315	25	32	41	51	55	52	49	37

CENTRIFUGAL FANS AND IN-LINE DUCT EXTRACTOR FANS

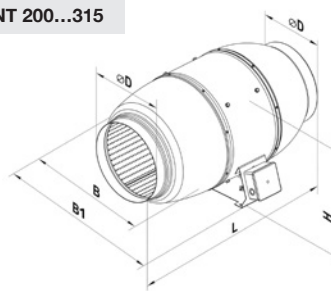
Dimensions mm

NEOSILENT 100...150



	ØD	B	B1	L	H
NEOSILENT 100	98	215	243	505	237
NEOSILENT 125	123	215	243	474	237
NEOSILENT 150	147	247	274	580	260

NEOSILENT 200...315

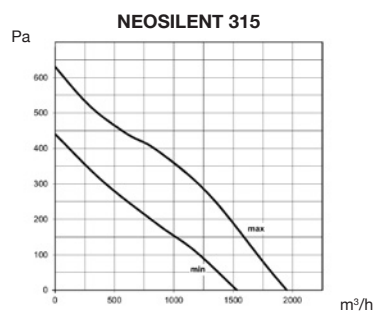
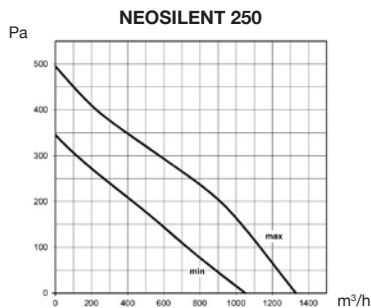
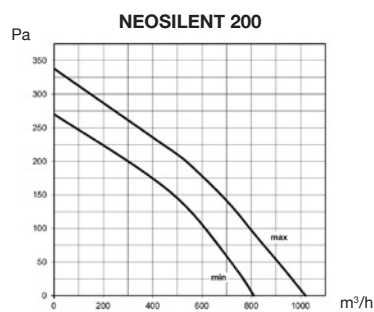
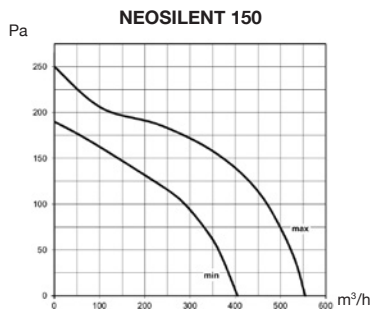
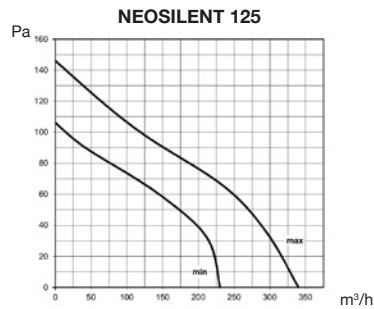
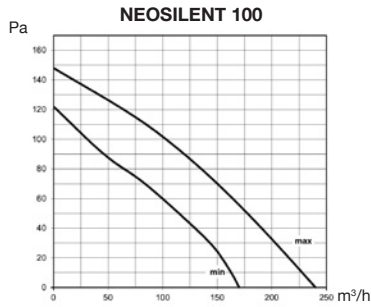


	ØD	B	B1	L	H
NEOSILENT 200	198	293	386	550	295
NEOSILENT 250	248	358	445	658	360
NEOSILENT 315	313	432	520	780	434

Characteristic curves

Q= Flow rate in m³/h

Pe= Static pressure in Pa



Accessories

See accessories section.



Non-return hatches



Fixed grilles



MTP



Air filter boxes



Electric coils



DUO 2-speed switch



Control units and sensors



Outlet nozzles for homes



Silencer

CA/LINE



In-line circular duct extractor fans with 3-speed motors.



Fan:

- Sheet steel casing.
- External terminal box.
- Easy, rapid installation.
- Support foot included.

Finish:

- Anti-corrosive finish on galvanised sheet steel.

Motor:

- 3-speed motors with long-life ball bearings and IP44 protection.
- Single-phase 220-240 V 50/60 Hz.
- Operating temperature -25 °C +60 °C.

Order code

CA/LINE — 20

CA/LINE: Circular in line duct extractor fans with 3-speed motors

Nozzle diameter in mm

Technical characteristics

	Speed Max/min (r/min)	Maximum admissible current (A) 230 V	Max. electric power (W)	Maximum flow rate (m ³ /h)	Irradiated sound pressure level (dBA)	Approx. weight (kg)	According to ErP
CA/LINE-10	2700 / 2100	0.24	53	250	43	2.8	2018
CA/LINE-12	2650 / 2050	0.23	52	320	40	2.8	2018
CA/LINE-15	2650 / 2000	0.24	55	470	37	4.8	2018
CA/LINE-16	2650 / 2000	0.24	55	490	36	4.8	2018
CA/LINE-20	2700 / 2450	0.45	110	870	43	6.2	2018
CA/LINE-25	2400 / 1600	0.70	165	1070	47	6.6	2018
CA/LINE-31	2500 / 2300	0.64	150	1310	46	6.9	2018



Erp. (Energy Related Products)

Information on Directive 2009/125/EC can be downloaded from the SODECA website or the QuickFan selector programme.

Acoustic characteristics

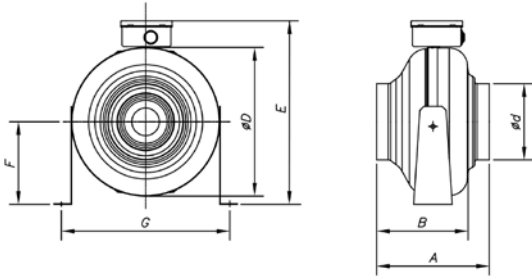
Sound power spectrum Lw(A) in dB(A) per Hz frequency band

Irradiated values at maximum speed and 2/3 of max. flow rate

	63	125	250	500	1000	2000	4000	8000
CA/LINE-10	39	38	44	44	52	48	50	35
CA/LINE-12	37	31	38	43	47	47	46	42
CA/LINE-15	31	32	38	43	46	44	33	28
CA/LINE-16	31	35	37	35	45	41	39	31
CA/LINE-20	39	34	50	49	48	46	44	36
CA/LINE-25	35	40	42	51	53	57	49	37
CA/LINE-31	36	47	50	51	51	51	51	38

CENTRIFUGAL FANS AND IN-LINE DUCT EXTRACTOR FANS

Dimensions mm

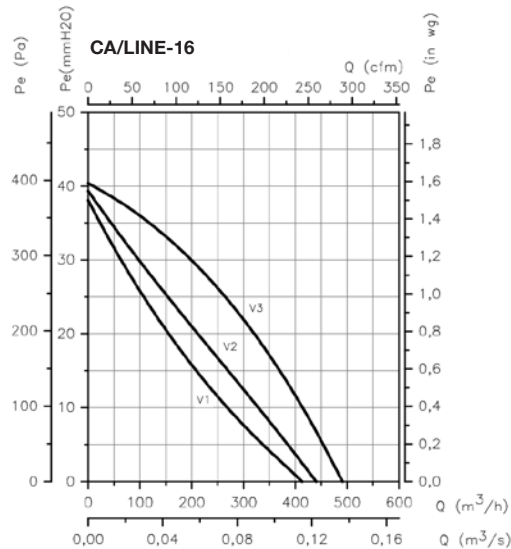
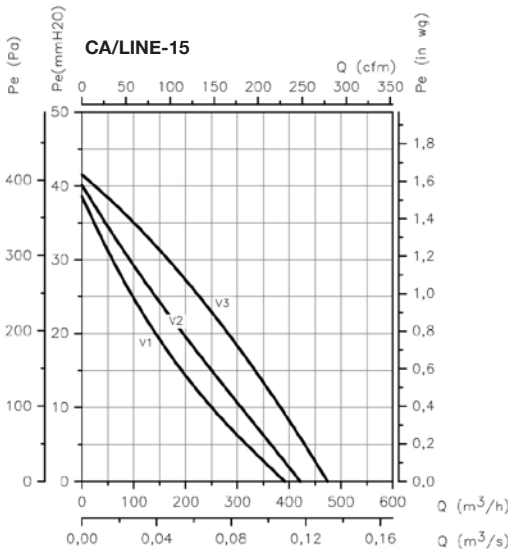
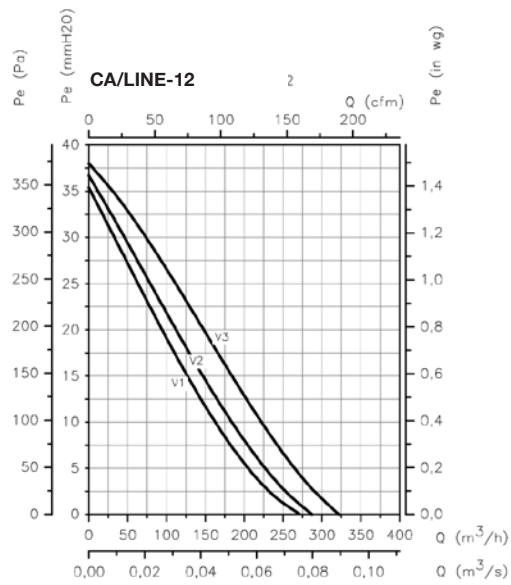
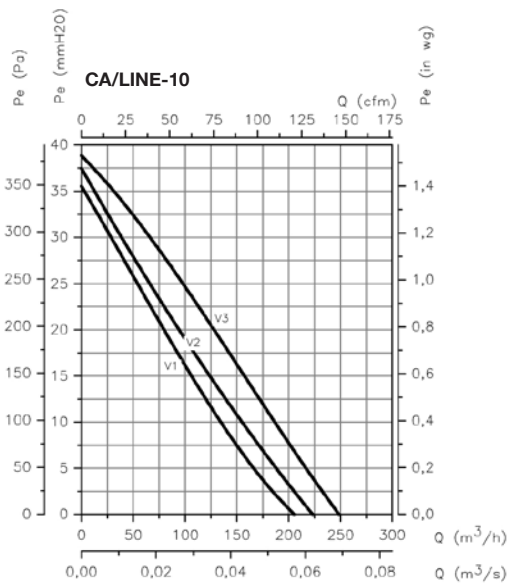


	A	B	ød	øD	E	F	G
CA/LINE-10	202	177	98	237	294	130	270
CA/LINE-12	202	177	123	237	294	130	270
CA/LINE-15	200	175	148	278	323	167	312
CA/LINE-16	200	175	158	278	351	167	312
CA/LINE-20	242	215	199	333	402	190	374
CA/LINE-25	215	184	250	333	402	190	374
CA/LINE-31	276	248	313	402	472	225	443

Characteristic curves

Q= Flow rate in m³/h, m³/s and cfm

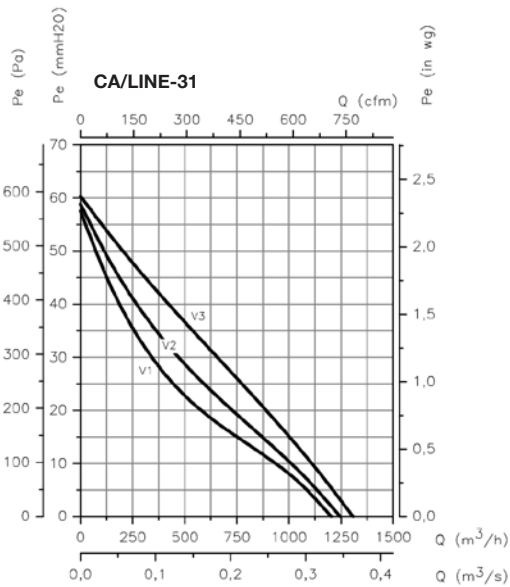
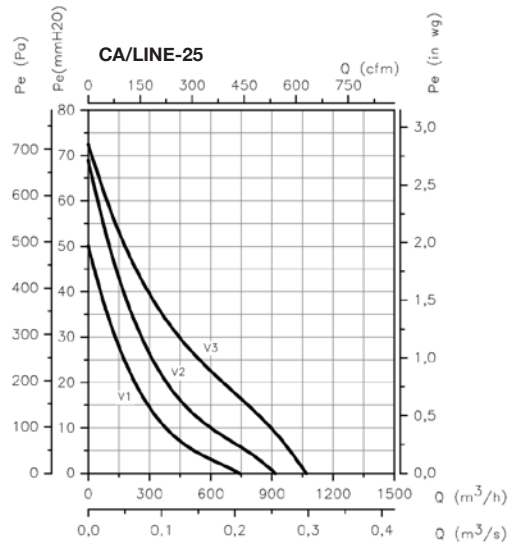
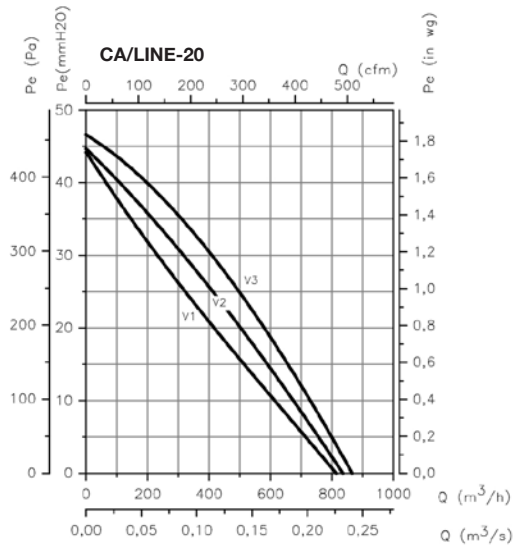
Pe= Static pressure in mmH₂O, Pa and inwg



Characteristic curves

Q= Flow rate in m³/h, m³/s and cfm

Pe= Static pressure in mmH²O, Pa and inwg



Recommended accessories



SI-VOC+HUMIDITY 3V	-	CA/LINE
--------------------	---	---------

Accessories recommended to comply with ErP 2018



CL CL/PLUS

CL: In-line, low profile, rectangular duct extractor fans with inspection hatch to facilitate cleaning.
CL/PLUS: In-line, rectangular duct extractor fans with 50 mm insulation.



CL



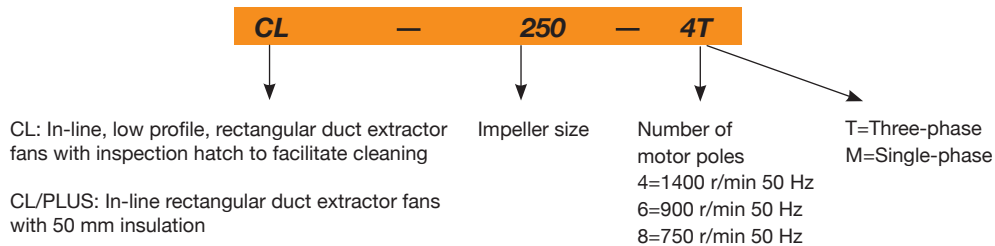
CL/PLUS

- Fan:
- Galvanised sheet steel casing.
 - Forward-curved impeller made of galvanised sheet steel.
 - CL/PLUS: External junction box made of V0 fireproof material and with IP55 protection.

- Motor:
- CL: Class F external rotor motors with ball bearings. IP55 protection in junction box.
 - CL/PLUS: Class F external rotor motors with ball bearings and IP54 protection.
 - Single-phase 230 V 50 Hz and three-phase 230/400 V 50 Hz.
 - Operating temperature: -20 °C +40 °C (CL) and -20 °C +50 °C (CL/PLUS).
 - CL: Built-in thermal contact protection.

- Finish:
- Anti-corrosive finish on galvanised sheet steel.

Order code



Technical characteristics

	Speed (rpm)	Max. admissible current (A)		Max. electric power (kW)	Maximum flow rate (m³/h)	Inlet sound pressure level (1) at 2/3 of Qmax. (dBA)	Approx. weight (kg)	According to ErP
		230 V	400 V					
CL-200-4T	1230	0.76	0.44	0.24	1149	42	11	2016
CL-225-4T	1270	1.65	0.95	0.56	1696	47	17	2016
CL-225-4M	1250	2.30		0.50	1668	46	18	2016
CL-250-4T	1380	3.48	2.01	1.00	2646	48	21	2016
CL-250-4M	1190	3.00		0.63	2347	46	23	2016
CL-250-6M	790	1.15		0.27	1501	50	21	*
CL-280-4T	1310	4.50	2.60	1.50	3232	52	30	2016
CL-280-6T	780	1.30	0.75	0.38	2152	53	27	2016
CL-280-6M	700	1.80		0.42	2129	56	28	*
CL-315-4T	1300	6.98	4.03	2.35	4209	52	44	2016
CL-315-6T	750	2.60	1.50	0.74	2886	57	34	2016
CL-355-6T	790	3.46	2.00	1.04	4186	61	46	2016
CL-400-6T	830	8.68	5.01	2.60	7293	65	71	2016
CL-400-8T	580	2.86	1.65	0.87	5018	59	66	2016
CL-450-6T	830	9.00	5.20	2.79	9079	65	94	2016

(1) The noise level values are irradiated pressures in dB(A) measured at a distance of 1 m in a free field.
 * Equipment not covered by Directive 2009/125/EC

Technical characteristics

	Speed (rpm)	Max. admissible current (A)		Max. electric power (kW)	Maximum flow rate (m³/h)	Inlet sound pressure level (1) at 2/3 of Qmax. (dBA)	Approx. weight (kg)	According to ErP
		230 V	400 V					
CL/PLUS-225-4M	1250	2.3		0.51	1650	38	23	2016
CL/PLUS-250-4M	1190	3.0		0.69	1900	42	28	2016
CL/PLUS-280-4M	1210	5.1		1.15	2900	47	37	2016
CL/PLUS-315-4T	1300		4.1	2.50	5050	52	47	2016
CL/PLUS-355-4T	1320		6.0	3.70	6300	58	78	2016
CL/PLUS-400-4T	1330		8.1	5.00	7100	61	99	2016
CL/PLUS-400-6T	830		4.9	2.70	7050	50.8	59	2016
CL/PLUS-450-4T	1330		8.1	5.00	7200	62	111	2016
CL/PLUS-450-6T	830		4.9	2.70	7800	51.8	60	2016



Erp. (Energy Related Products)

Information on Directive 2009/125/EC can be downloaded from the SODECA website or the QuickFan selector programme.

Acoustic characteristics

Irradiated sound power spectrum Lw(A) in dB(A) per Hz frequency band

CL	CL/PLUS							
	63	125	250	500	1000	2000	4000	8000
CL-200-4T	15	23	37	46	49	46	40	37
CL-225-4M	21	32	40	53	51	44	49	45
CL-225-4T	23	35	43	52	55	48	46	44
CL-250-4M	24	37	50	50	54	47	46	42
CL-250-4T	25	38	50	50	55	51	49	47
CL-250-6M	32	49	47	50	58	53	51	49
CL-280-4T	32	49	49	52	61	55	52	50
CL-280-6M	33	51	50	57	65	56	56	52
CL-280-6T	34	53	50	55	62	54	52	53
CL-315-4T	32	49	47	54	60	55	55	53
CL-315-6T	28	43	57	64	63	60	59	54
CL-355-6T	34	53	55	63	70	64	60	56
CL-400-6T	38	58	61	69	72	69	66	62
CL-400-8T	34	52	53	63	66	62	60	56
CL-450-6T	37	57	62	70	70	70	67	61

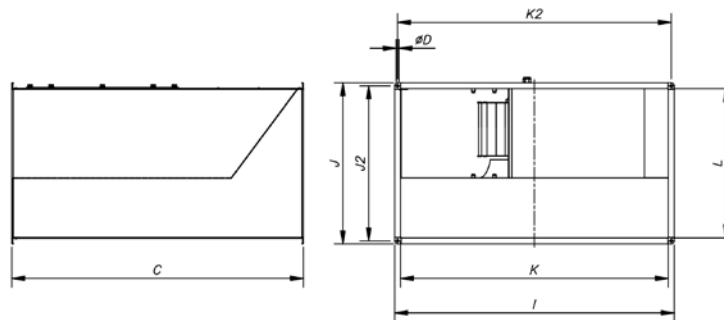
Accessories

See accessories section.



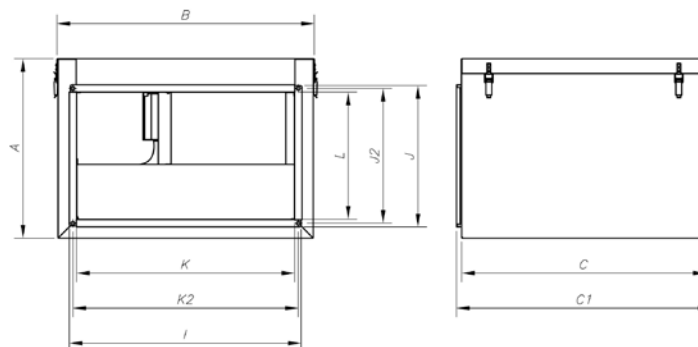
Dimensions mm

CL



	C	ØD	I	J	J2	K	K2	L
CL-200-4T	445	10.5	440	240	220	400	420	200
CL-225-4T	530	10.5	540	290	270	500	520	250
CL-225-4M	530	10.5	540	290	270	500	520	250
CL-250-4T	560	10.5	540	340	320	500	520	300
CL-250-4M	560	10.5	540	340	320	500	520	300
CL-250-6M	560	10.5	540	340	320	500	520	300
CL-280-4T	640	10.5	640	340	320	600	620	300
CL-280-6T	640	10.5	640	340	320	600	620	300
CL-280-6M	640	10.5	640	340	320	600	620	300
CL-315-4T	700	10.5	640	390	370	600	620	350
CL-315-6T	700	10.5	640	390	370	600	620	350
CL-355-6T	780	10.5	740	440	420	700	720	400
CL-400-6T	880	10.5	840	540	520	800	820	500
CL-400-8T	880	10.5	840	540	520	800	820	500
CL-450-6T	980	10.5	1040	540	520	1000	1020	500

CL/PLUS



	A	B	C	C1	I	J	J2	K	K2	L
CL/PLUS-225	393	605	502	530	540	290	270	500	520	250
CL/PLUS-250	443	605	532	560	540	340	320	500	520	300
CL/PLUS-280	443	705	612	640	640	340	320	600	620	300
CL/PLUS-315	493	705	672	700	640	390	370	600	620	350
CL/PLUS-355	562	811	752	780	740	440	420	700	720	400
CL/PLUS-400	662	911	852	880	840	540	520	800	820	500
CL/PLUS-450	662	1110	952	980	1040	540	520	1000	1020	600

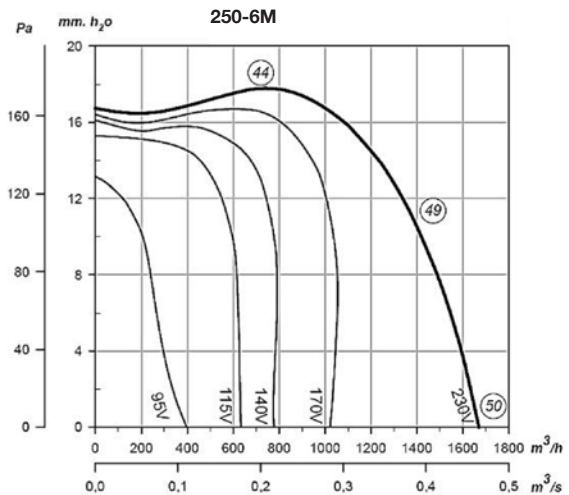
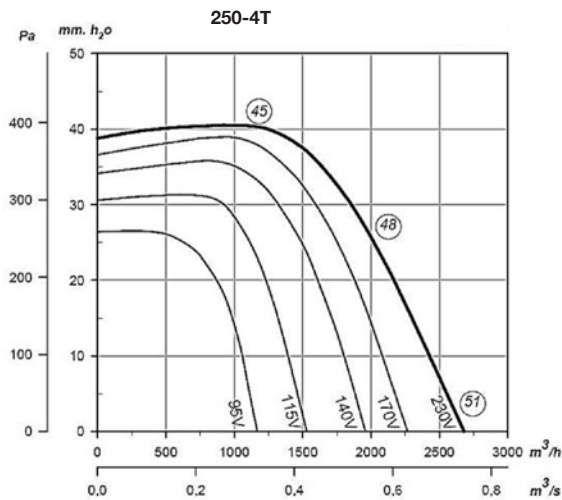
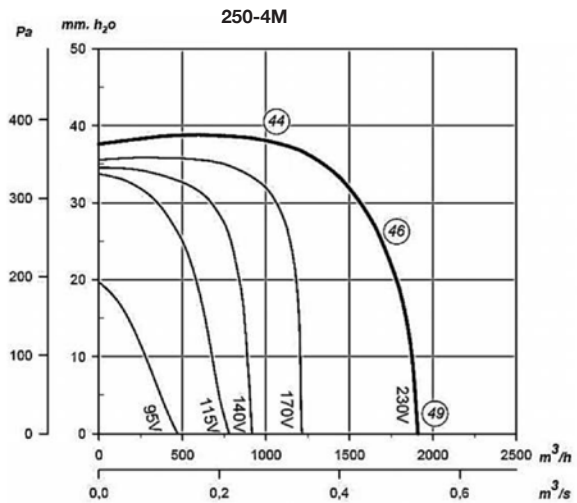
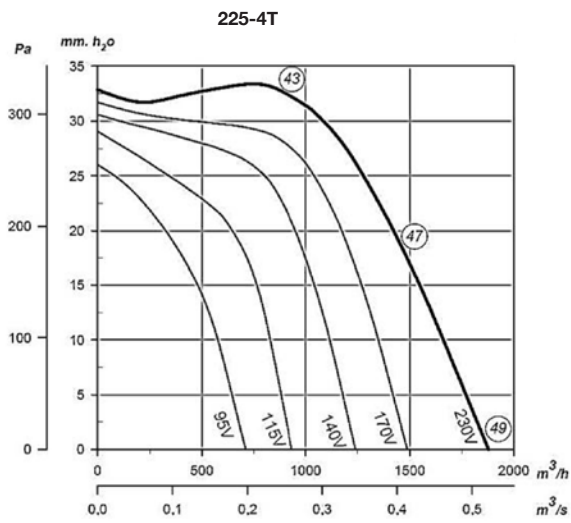
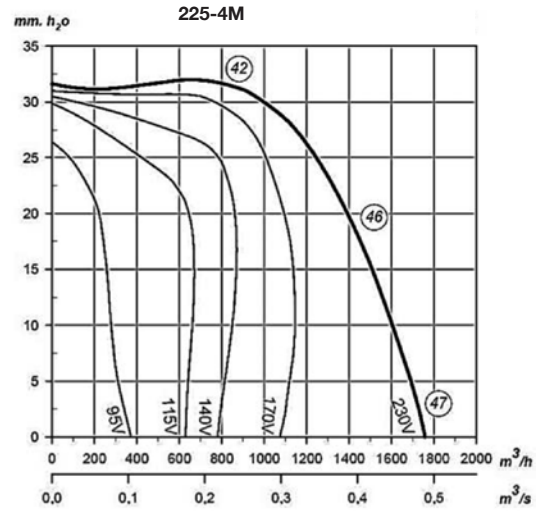
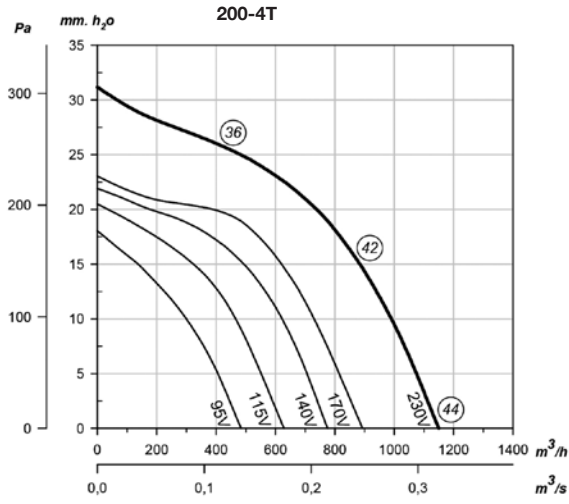
Characteristic curves

Q= Flow rate in m³/h and m³/s

Pe= Static pressure in mm H₂O and Pa

The noise levels indicated in the curves are irradiated pressures measured in a free field at 1 metre.

CL



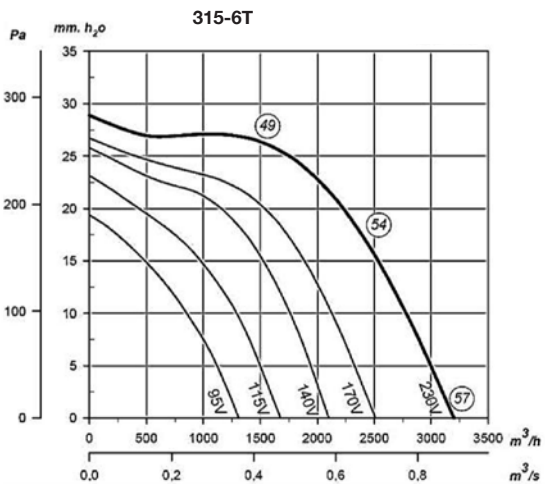
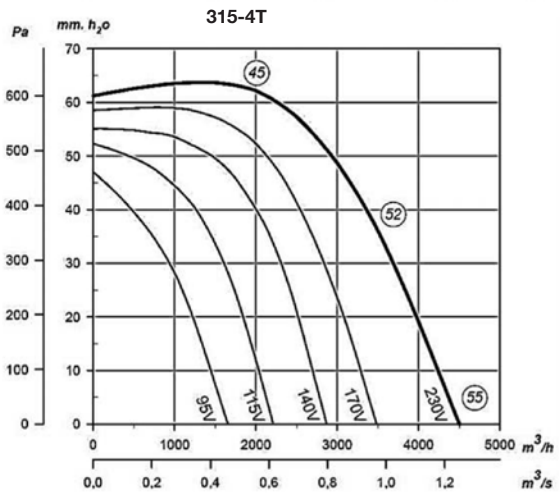
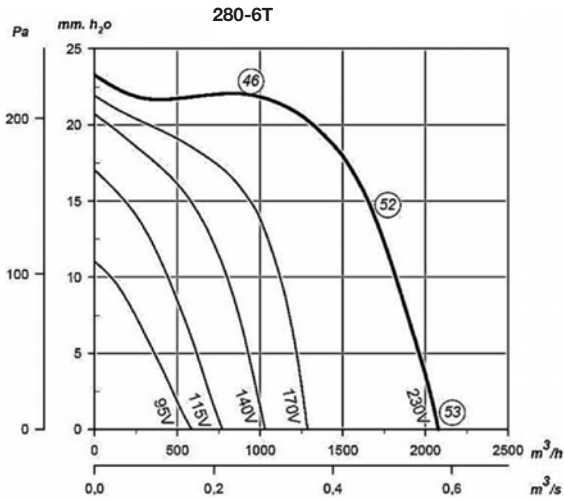
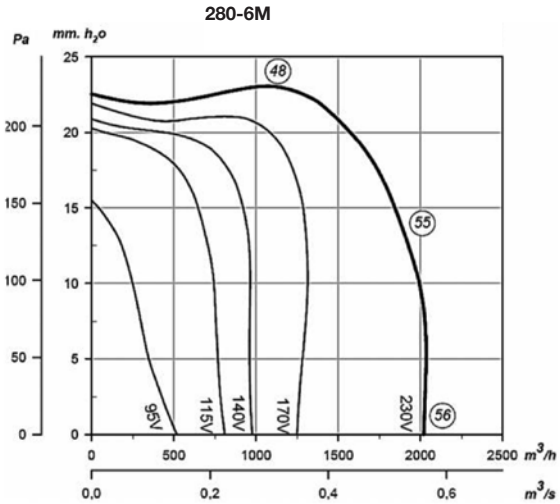
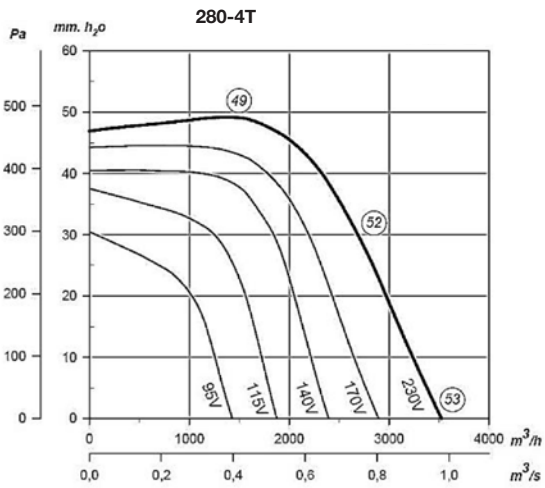
Characteristic curves

Q= Flow rate in m³/h and m³/s

Pe= Static pressure in mm H₂O and Pa

The noise levels indicated in the curves are irradiated pressures measured in a free field at 1 metre.

CL



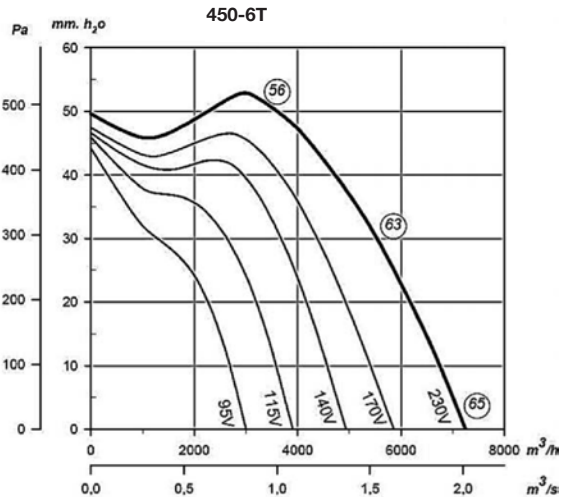
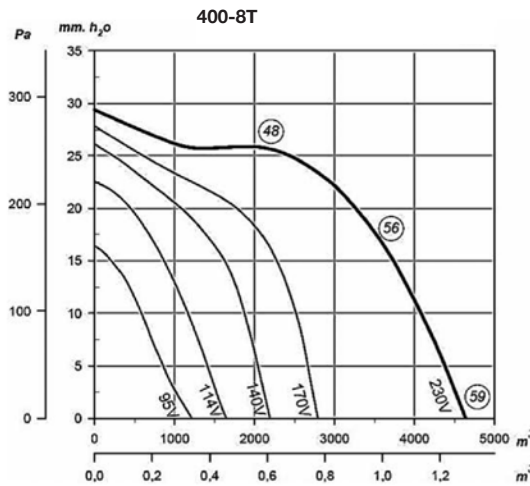
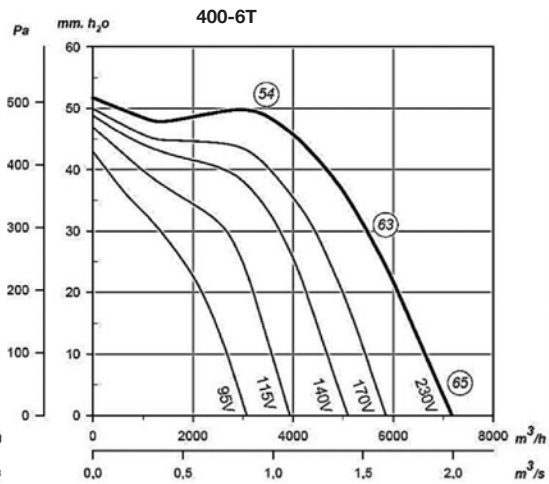
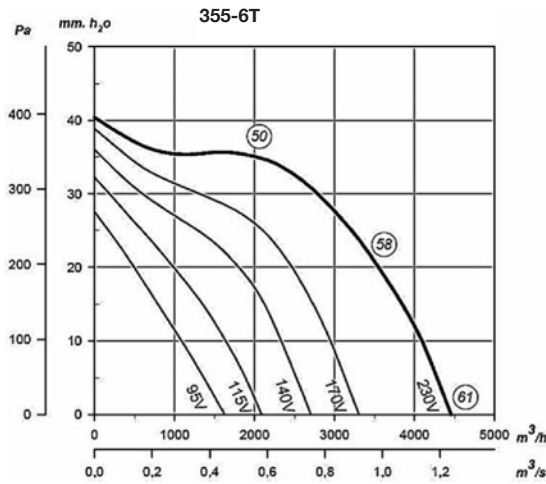
Characteristic curves

Q= Flow rate in m³/h and m³/s

Pe= Static pressure in mm H₂O and Pa

The noise levels indicated in the curves are irradiated pressures measured in a free field at 1 metre.

CL



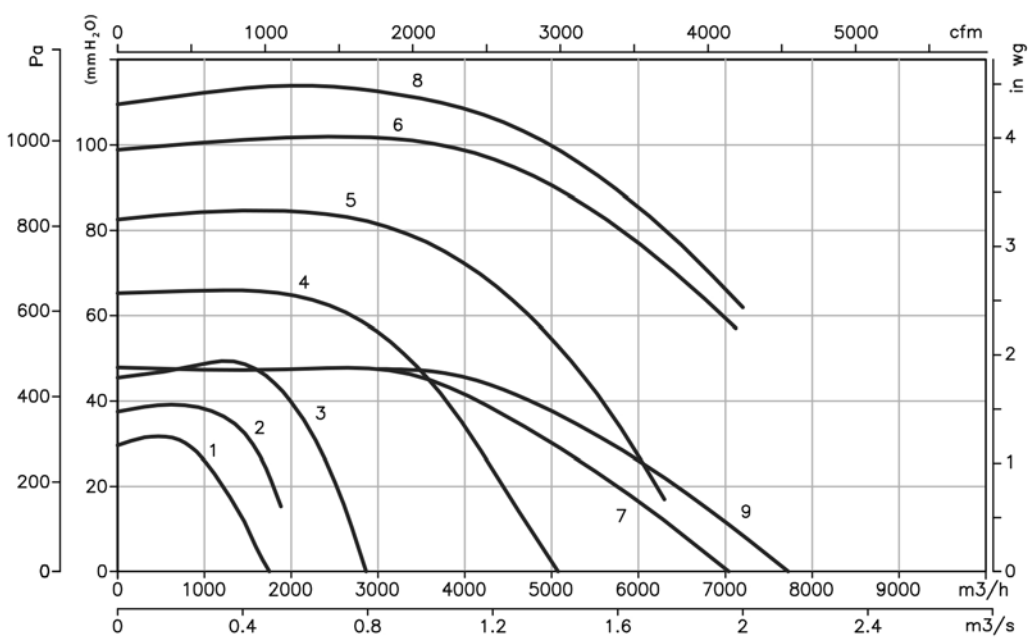
CENTRIFUGAL FANS AND IN-LINE DUCT EXTRACTOR FANS

Characteristic curves

Q= Flow rate in m³/h and m³/s

Pe= Static pressure in mm H₂O and Pa

CL/PLUS



- 1. CL/PLUS-225-4M
- 2. CL/PLUS-250-4M
- 3. CL/PLUS-280-4M
- 4. CL/PLUS-315-4T
- 5. CL/PLUS-355-4T
- 6. CL/PLUS-400-4T
- 7. CL/PLUS-400-6T
- 8. CL/PLUS-450-4T
- 9. CL/PLUS-450-6T

TUB

In-line extractor fans with a detachable body and small size for high temperatures (250 °C), designed for operation inside chimney ducts.



- Fan:**
- Sheet steel casing.
 - Impeller with blades made of galvanised sheet steel.
 - Closure that allows the body to be removed easily and quickly.
 - External terminal box.

- Motor:**
- Motor with long-life ball bearings and IPX4 protection.
 - Single-phase 220/-240 V-50 Hz.
 - Operating temperature: -10 °C +250 °C.

- Finish:**
- Anti-corrosive finish on heat-resistant paint.

Order code



TUB: In-line extractor fans with a detachable body and small size for high temperatures (250 °C)

Nozzle diameter in mm

Accessories

See accessories section.



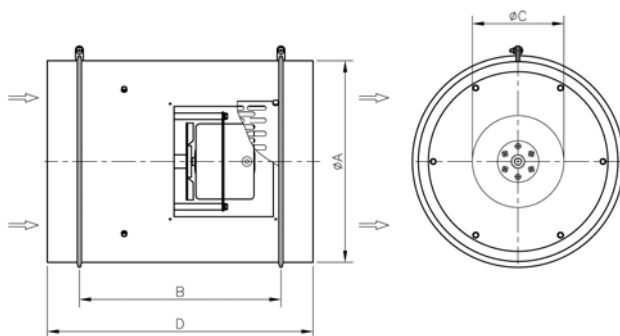
STUB

Technical characteristics

	Speed (r/min)	Max. admissible current 220-240 V	Max. electric power (kW)	Maximum flow rate (m ³ /h)	Irradiated sound level (*) (dBA)	Approx. weight (kg)
TUB-200	2780	0.30	0.068	250	39	7
TUB-225	2765	0.32	0.075	330	41	8
TUB-250	2760	0.35	0.080	400	43	9
TUB-315	2600	0.85	0.180	830	48	13

(*) Irradiated sound pressure levels obtained at a distance of 3 metres in a free field, with rigid inlet/exhaust tubes.

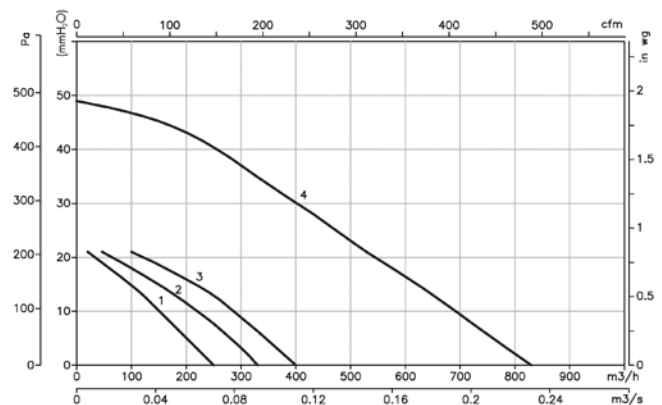
Dimensions mm



	øA	B	øC	D
TUB-200	200	255	116.5	355
TUB-225	225	255	116.5	355
TUB-250	250	255	116.5	355
TUB-315	315	315	142.5	415

Characteristic curves

Q= Flow rate in m³/h, m³/s and cfm.
Pe= Static pressure in mm H₂O, Pa and inwg



- 1: TUB-200 3: TUB-250
2: TUB-225 4: TUB-315

CBD CBD 3V CBD/B CBD/B 3V

CBD: Double-inlet centrifugal fans with direct drive motor and forward-curved impeller.

CBD 3V: Double-inlet centrifugal fans with 3-speed motors.

CBD/B: Double-inlet centrifugal fans with impulsion flange and without support feet.

CBD/B 3V: Double-inlet centrifugal fans with impulsion flange and without support feet, fitted with 3-speed motors.



CBD CBD 3V



CBD/B CBD/B 3V

Fan:

- Galvanised sheet steel casing.
- Forward-curved impeller made of galvanised sheet steel.
- CBD and CBD 3V: Supplied with PSB support feet.

Motor:

- High efficiency (HE) motors in compliance with ErP 2015.
- Closed motors with built-in thermal protector, class F, with ball bearings, IP54 protection.

- Single-phase 220-240 V-50 Hz, and three-phase 220-240 V/380-415 V-50 Hz.
- Maximum temperature of air to be carried: -20 °C + 60 °C.

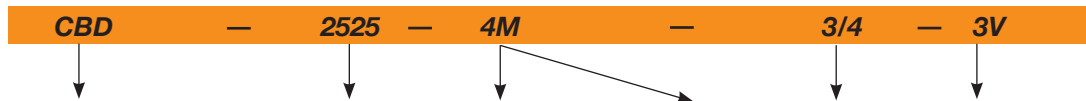
Finish:

- Anti-corrosive finish on galvanised sheet steel.



High quality, extremely robust impeller, dynamically balanced in accordance with ISO 21940-11

Order code



CBD: Double-inlet centrifugal fans with direct-drive motors and forward-curved impeller
CBD 3V: Double-inlet centrifugal fans with 3-speed motors.
CBD/B: Double-inlet centrifugal fans with impulsion flange and without support feet.
CBD/B 3V: Double-inlet centrifugal fans with impulsion flange, without support feet and with 3-speed motors.

Impeller size mm
 mm inch
 1919 7/7
 2525 9/9
 2828 10/10
 3333 12/12
 3939 15/15

Number of motor poles
 4=1400 r/min 50 Hz
 6=900 r/min 50 Hz

T=Three-phase
 M=Single-phase

Motor power (HP)

With 3-speed motors

Technical characteristics

	Equivalence inches	Max. speed (rpm)	Max. admissible current (A)		Installed power (kW)	Maximum flow rate (m³/h)	Sound level (dBA)	Approx. weight (kg)	According to ErP
			230 V	400 V					
CBD-1919-4M 1/5/HE	7/7	1320	1.15		0.15	1500	59	7.0	2015
CBD-1919-6M 1/10/HE	7/7	820	0.85		0.08	1230	53	7.0	Excluded
CBD-2525-4M 1/2/HE	9/9	1320	2.30		0.37	2800	66	13.2	2015
CBD-2525-4M 3/4/HE	9/9	1310	3.65		0.55	3600	70	14.0	2015
CBD-2525-6M 1/6/HE	9/9	900	0.95		0.13	2200	60	11.9	2015
CBD-2525-6M 1/3/HE	9/9	940	1.60		0.25	2700	62	12.7	2015
CBD-2828-4M 1/2/HE	10/10	1320	2.30		0.37	2800	65	15.7	2015
CBD-2828-4M 3/4/HE	10/10	1310	3.65		0.55	3950	70	16.5	2015
CBD-2828-6M 1/3/HE	10/10	940	1.60		0.25	3200	62	15.2	2015
CBD-3333-6T 1 1/2/HE	12/12	850	6.60	3.80	1.10	7800	75	24.5	2015
CBD-3333-6M 3/4/HE	12/12	930	3.30		0.55	4750	64	23.0	2015
CBD-3333-6M 1/HE	12/12	850	5.37		0.75	6000	71	24.0	2015
CBD-3939-6T 3/HE	15/15	890	10.90	6.30	2.20	11400	75	39.0	2015

Technical characteristics

	Equivalence inches	Max. speed (rpm)	Max. admissible current (A) 230 V 400 V	Installed power (kW)	Maximum flow rate (m³/h)	Sound level (dBA)	Approx. weight (kg)	According to ErP
CBD-1919-4M 1/5 3V	7/7	1230	1.50	0.15	1520	59	7.0	*
CBD-2525-4M 3/4 3V	9/9	1310	3.60	0.55	3600	70	14.0	2015
CBD-2525-6M 1/3 3V	9/9	830	2.00	0.25	2700	62	12.7	*
CBD-2828-4M 3/4 3V	10/10	1310	3.60	0.55	3950	70	16.5	2015
CBD-2828-6M 1/3 3V	10/10	830	2.00	0.25	3200	62	15.2	2015
CBD-2828-6M 3/4 3V	10/10	840	4.10	0.55	3600	64	21.0	*
CBD-3333-6M 1 3V	12/12	850	5.70	0.75	6000	71	24.0	2015

* Equipment not covered by Directive 2009/125/EC



Erp. (Energy Related Products)

Information on Directive 2009/125/EC can be downloaded from the SODECA website or the QuickFan selector programme.

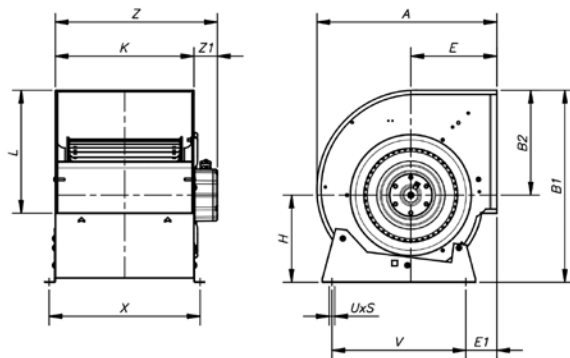
Acoustic characteristics

Noise power spectrum Lw(A) in dB(A) frequency band in [Hz]

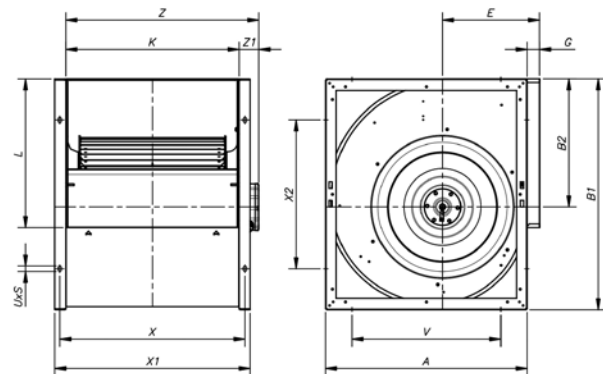
Model	63	125	250	500	1000	2000	4000	8000	Model	63	125	250	500	1000	2000	4000	8000
CBD-1919-4M 1/5 HE	29	44	55	63	65	64	63	55	CBD-1919-4M 1/5 3V	29	44	55	63	65	64	63	55
CBD-1919-6M 1/10 HE	23	38	49	57	59	58	57	49	CBD-2525-4M 3/4 3V	40	55	66	74	76	75	74	66
CBD-2525-4M 1/2 HE	36	51	62	70	72	71	70	62	CBD-2525-6M 1/3 3V	32	47	58	66	68	67	66	58
CBD-2525-4M 3/4 HE	40	55	66	74	76	75	74	66	CBD-2828-4M 3/4 3V	40	55	66	74	76	75	74	66
CBD-2525-6M 1/6 HE	30	45	56	64	66	65	64	56	CBD-2828-6M 1/3 3V	32	47	58	66	68	67	66	58
CBD-2525-6M 1/3 HE	32	47	58	66	68	67	66	58	CBD-2828-6M 3/4 3V	34	48	60	68	70	69	67	60
CBD-2828-4M 1/2 HE	35	50	61	69	71	70	69	61	CBD-3333-6M 1 3V	41	56	67	75	77	76	75	67
CBD-2828-4M 3/4 HE	40	55	66	74	76	75	74	66									
CBD-2828-6M 1/3 HE	32	47	58	66	68	67	66	58									
CBD-3333-6T 1 1/2 HE	45	60	71	79	81	80	79	71									
CBD-3333-6M 3/4 HE	34	49	60	68	70	69	68	60									
CBD-3333-6M 1 HE	41	56	67	75	77	76	75	67									
CBD-3939-6T 3 HE	48	62	74	81	84	83	81	73									

Dimensions mm

CBD- 1919...3333



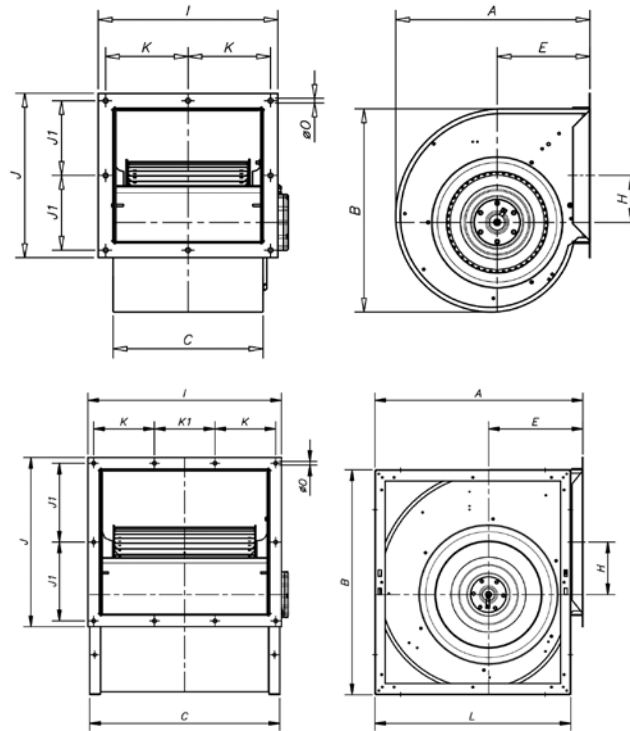
CBD- 3939



	Equiv. inch.	A	B1	B2	E	E1	G	H	K	L	UxS	V	X	x1	x2	Z1	Z
CBD-1919	7/7	315	333	189	152	64	-	144	230	208	9x13	225	258	-	-	70	300
CBD-2525	9/9	380	400	218	183	78	-	182	300	263	9x13	275	328	-	-	57	357
CBD-2828	10/10	422	450	246	202	73	-	204	326	292	9x13	315	352	-	-	45	371
CBD-3333	12/12	493	526	290	230	82	-	236	387	345	18x9	390	415	-	-	70	457
CBD-3939	15/15	553	632	352	265	-	30	-	473	408	18x9	406	505	533	406	60	533

Dimensions mm

CBD/B



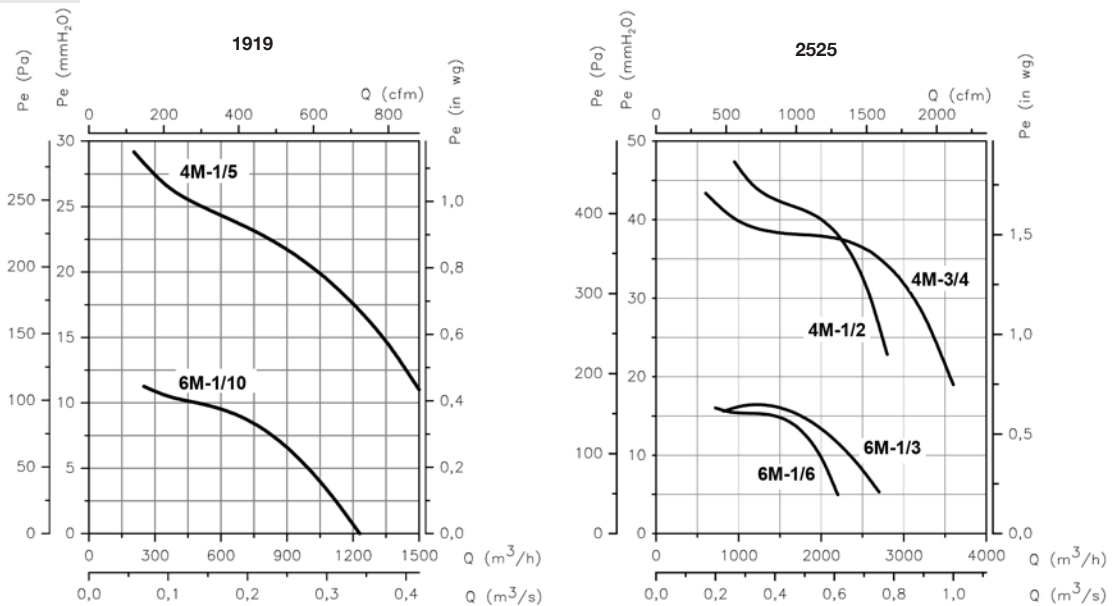
	Equiv. inch.	A	B	C	E	H	I	J	J1	K	K1	L	øO
CBD/B-1919	7/7	315	322	230	152	86.5	295	273	120.5	131.5	-	-	10
CBD/B-2525	9/9	380	393	300	183	89	365	328	148	166.5	-	-	10
CBD/B-2828	10/10	422	442	326	202	102	391	357	162.5	179.5	-	-	10
CBD/B-3333	12/12	493	527	387	230	121	452	410	189	210	-	-	10
CBD/B-3939	15/15	583	635	533	265	147	538	469	218.5	169	168	553	10

Characteristic curves

Q= Flow rate in m³/h, m³/s and cfm

Pe= Static pressure in mm H₂O, Pa and inwg

CBD

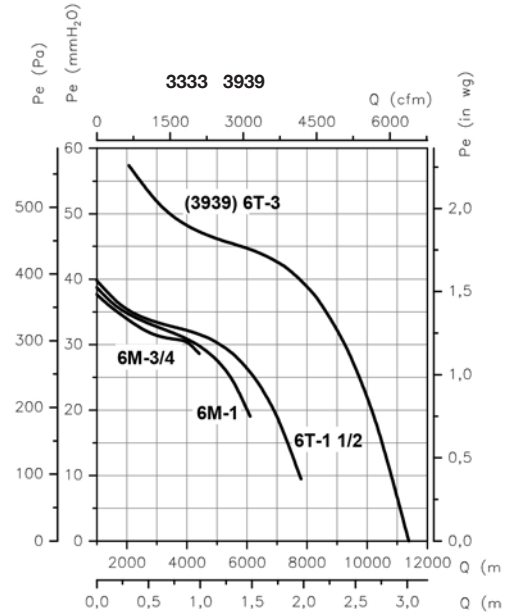
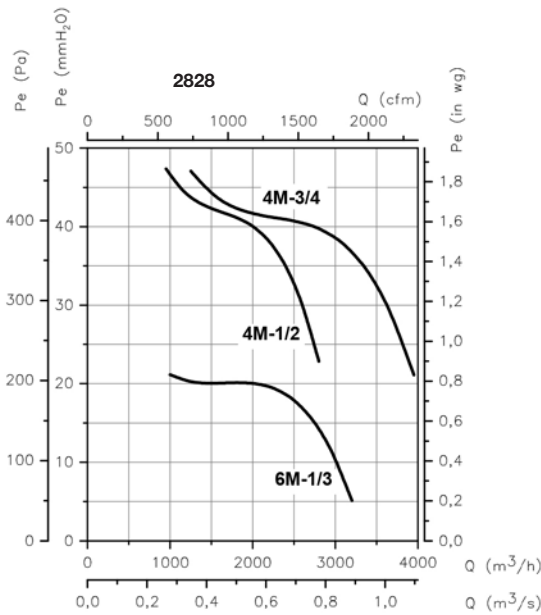


Characteristic curves

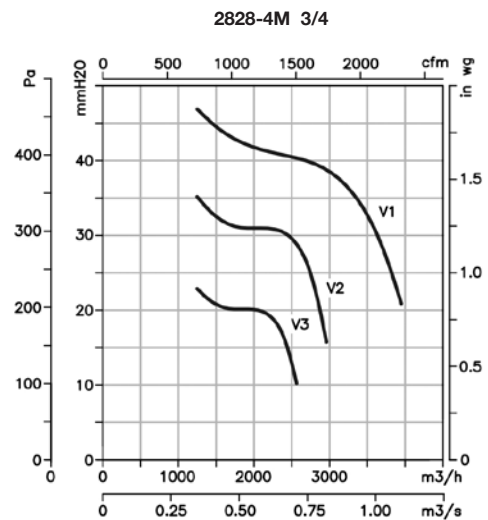
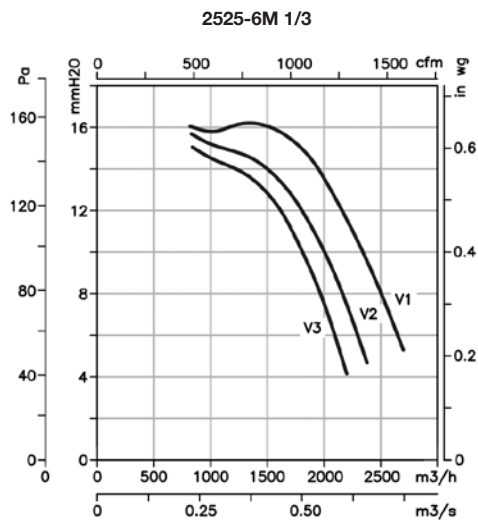
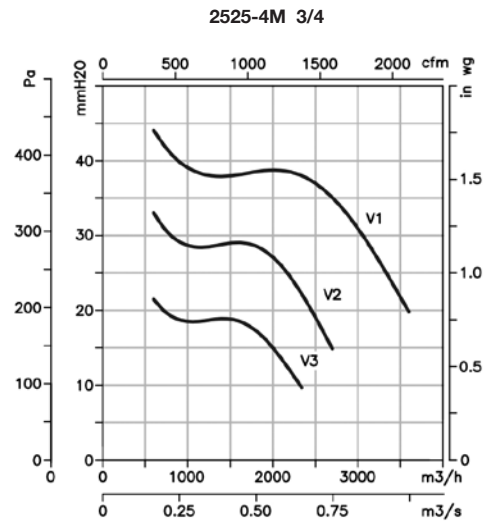
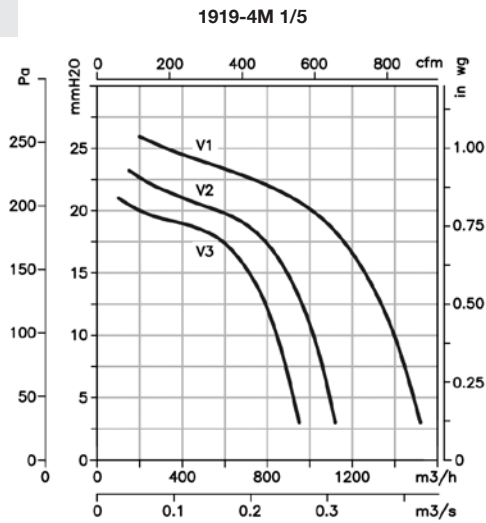
Q= Flow rate in m³/h, m³/s and cfm

Pe= Static pressure in mm H₂O, Pa and inwg

CBD



CBD 3V



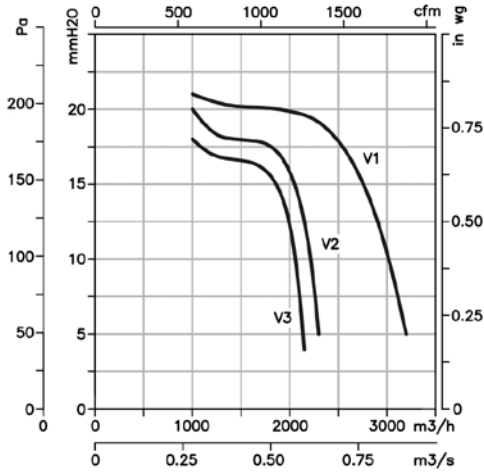
Characteristic curves

Q= Flow rate in m³/h, m³/s and cfm

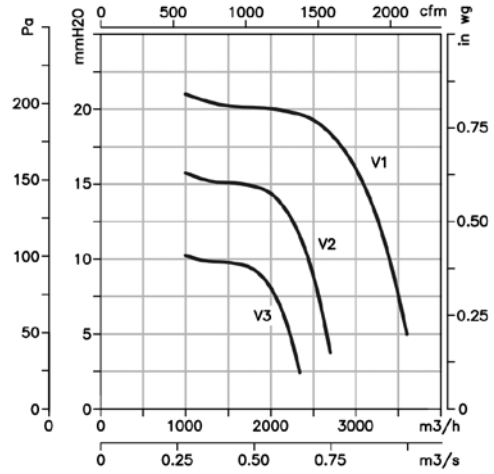
Pe= Static pressure in mm H₂O, Pa and inwg

CBD 3V

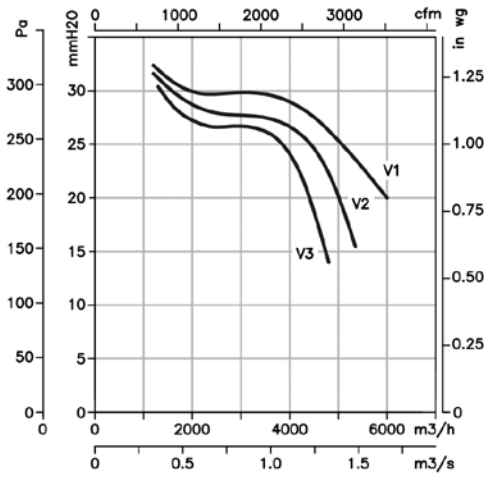
2828-6M 1/3



2828-6M 3/4



3333-6M 1



Accessories

See accessories section.



CBD/EW CBD/B/EW



E.C. TECHNOLOGY



Double-inlet centrifugal fans with direct-drive motor and forward-curved impeller, fitted with E.C. Technology motor and integrated electronic unit.



Fan:

- Galvanised sheet steel casing.
- Forward-curved impeller made of galvanised sheet steel.
- Adjustable speed by 0-10 V signal or built-in automatic control.
- CBD/B/EW: with impulsion flange.

Motor:

- New high-efficiency (IE4) synchronous E.C. motors. Fitted with high-intensity neodymium magnets.
- Compact, built-in motor and electronic unit that facilitates the air flow.
- High-reliability motor that requires no maintenance.
- Fitted with long-life ball bearings.
- IP54 protection.

- Highly configurable electronic system with 2 analogue inputs, 2 digital inputs, 1 relay output and a choice of 1 analogue or 1 digital output.
- Possibility of connection to MODBUS and CAN Open field buses.
- Available with single-phase 220-240 V 50/60 Hz (VSD1/B) or three-phase 380-415 V 50/60 Hz (VSD3/B) inputs.
- Fan operating temperature: -25 °C +60 °C.

Finish:

- Anti-corrosive finish on galvanised sheet steel.

Order code



CBD/EW: High efficiency, double-inlet, "Efficient Work" centrifugal fans with forward-curved impeller

CBD/B/EW: High efficiency, double inlet, "Efficient work" centrifugal fans with impulsion flanges and no support feet.

Impeller size

mm	inch
1919	7/7
2525	9/9
2828	10/10
3333	12/12

Number of poles:

4=1410 r/min
6=960 r/min

Motor power (HP)

E.C. Technology motors

M: Fitted with VSD1/B, electronic variable speed drive with 220-240 V 50/60 Hz single-phase power supply.
T: Fitted with VSD3/B, electronic variable speed drive with 380-415 V 50/60 Hz three-phase power supply.

Technical characteristics

	Equivalence inches	Min./max. speed (rpm)	Max. admissible current (A)		Max. electric power (kW)	Min./max. flow rate (m³/h)	Sound pressure level (dBA)	Approx. weight (kg)	According to ErP
			230 V	400 V					
CBD/EW-1919-4 1/5	7/7	300 / 1410	2.13	0.62	260	325 / 1520	25 / 59	7.0	2020
CBD/EW-1919-6 1/10	7/7	300 / 960	1.17	0.34	140	385 / 1230	28 / 53	7.0	Excluded
CBD/EW-2525-4 1/2	9/9	300 / 1410	3.96	0.93	450	595 / 2800	32 / 66	13.2	2020
CBD/EW-2525-4 1	9/9	300 / 1410	7.94	1.87	905	765 / 3600	36 / 70	14.0	2020
CBD/EW-2525-6 1/3	9/9	300 / 960	2.93	0.68	330	845 / 2700	37 / 62	12.7	2020
CBD/EW-2828-4 1/2	10/10	300 / 1410	3.96	0.93	450	595 / 2800	31 / 65	15.7	2020
CBD/EW-2828-4 1	10/10	300 / 1410	7.94	1.87	905	840 / 3950	36 / 70	16.5	2020
CBD/EW-2828-6 1/3	10/10	300 / 960	2.93	0.68	330	1000 / 3200	37 / 62	15.2	2020
CBD/EW-3333-6 1	12/12	300 / 960	8.32	1.96	955	1875 / 6000	46 / 71	24.0	2020
CBD/EW-3333-6 1 1/2	12/12	300 / 960	11.51	2.71	1325	2440 / 7800	50 / 75	24.5	2020

Noise characteristics at maximum speed

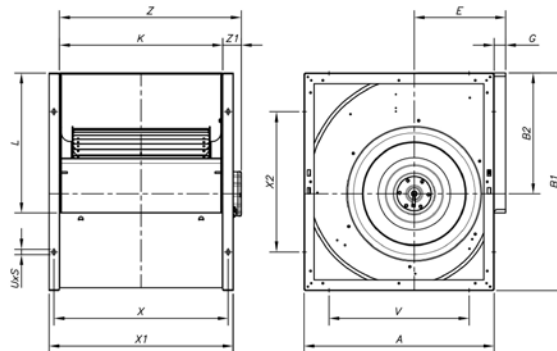
The values given are determined by measuring the sound power in dB(A) obtained in a free field at a distance equivalent to twice the size of the fan plus the impeller diameter, with a minimum of 1.5 m.

Noise power spectrum Lw(A) in dB(A) frequency band in [Hz]

	63	125	250	500	1000	2000	4000	8000	Model	63	125	250	500	1000	2000	4000	8000
CBD/EW-1919-4 1/5	29	44	55	63	65	64	63	55	CBD/EW-2828-4 1/2	35	50	61	69	71	70	69	61
CBD/EW-1919-6 1/10	23	38	49	57	59	58	57	49	CBD/EW-2828-4 1	40	55	66	74	76	75	74	66
CBD/EW-2525-4 1/2	36	51	62	70	72	71	70	62	CBD/EW-2828-6 1/3	32	47	58	66	68	67	66	58
CBD/EW-2525-4-1	40	55	66	74	76	75	74	66	CBD/EW-3333-6 1	41	56	67	75	77	76	75	67
CBD/EW-2525-6 1/3	32	47	58	66	68	67	66	58	CBD/EW-3333-6 1 1/2	45	60	71	79	81	80	79	71

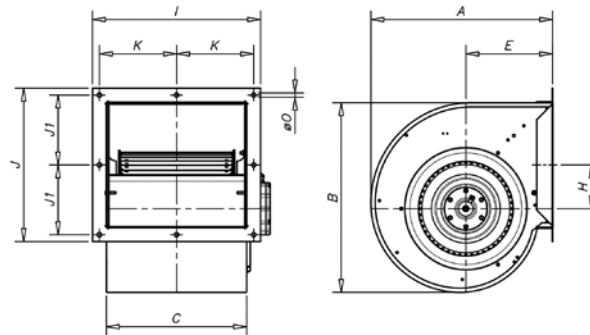
Dimensions mm

CBD/EW- 1919...3333



	Equiv. inch.	A	B1	B2	E	G	K	L	UxS	V	X	x1	x2	Z1	Z
CBD/EW-1919	7/7	315	333	189	152	30	230	208	9x13	225	258	290	175	70	300
CBD/EW-2525	9/9	380	400	218	183	30	300	263	9x13	275	328	360	214	57	357
CBD/EW-2828	10/10	422	450	246	202	30	326	292	9x13	315	352	386	254	45	371
CBD/EW-3333	12/12	493	526	290	230	25	387	345	18x9	390	415	447	324	70	457

CBD/B/EW



	Equiv. inch.	A	B	C	E	H	I	J	J1	K	øO
CBD/B/EW-1919	7/7	315	322	230	152	86.5	295	273	120.5	131.5	10
CBD/B/EW-2525	9/9	380	393	300	183	89	365	328	148	166.5	10
CBD/B/EW-2828	10/10	422	442	326	202	102	391	357	162.5	179.5	10
CBD/B/EW-3333	12/12	493	527	387	230	121	452	410	189	210	10



Erp. Characteristic curves and ErP data

See model CBD/EW-CJBD/EW curves.

Accessories

See accessories section.



INT



PSB



CONTROL UNITS AND SENSORS

CJBD CJBD/AL



CJBD: Acoustically insulated ventilation units.

CJBD/AL: Ventilation units made of aluminium profiles and prefinished sheet with acoustic insulation.



CJBD



CJBD/AL

Fan:

- Double inlet CBD series fans.
- Galvanised sheet steel structure with thermal and acoustic insulation.
- CJBD/AL, CJBD/ALS and CJBD/ALF: Aluminium profiles structure with thermal and acoustic insulation.
- Forward-curved impeller made of galvanised sheet steel.
- Cable gland for cable inlet.

Motor:

- Closed motors with built-in thermal protector, class F, with ball bearings, IP54 protection.
- Single-phase 220-240 V-50 Hz, and three-phase 220-240 V/380-415 V-50 Hz.
- Maximum temperature of air to be carried: -20 °C + 60 °C.

Finish:

- Anti-corrosive finish on galvanised sheet steel.

• CJBD/AL, CJBD/ALS and CJBD/ALF:

- Anti-corrosive finish on pre-lacquered sheet steel and aluminium profiles.

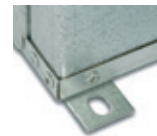
On request:

- With circular impulsion.

CJBD/AL and CJBD/ALS series accessories:

Air treatment modules:

- MF: Filtration module. Standard F6+F8 version and optional F7+F9.
- ME: Electric coil module. Standard G4 version and optional with F6+F8 or F7+F9 filters.
- MA: Water coil module. Standard G4 version and optional with F6+F8 or F7+F9 filters.



CJBD: With support foot to facilitate mounting.

Order code



- CJBD: Acoustically insulated ventilation units.
- CJBD/AL: Ventilation units made of aluminium profiles and prefinished sheet with acoustic insulation.
- CJBD/INT: Ventilation units with built-in switches.
- CJBD/C: Ventilation units with circular inlet and outlet.
- CJBD/F: Ventilation units with built-in filter.
- CJBD/ALS: Ventilation units with double insulated wall, prefinished sheet and aluminium profiles.
- CJBD/ALF: Ventilation units with prefinished sheet, built-in filter and aluminium profiles.

Impeller size mm

mm	inch
1919	7/7
2525	9/9
2828	10/10
3333	12/12
3939	15/15

Number of motor poles

- 4=1400 r/min 50 Hz
- 6=900 r/min 50 Hz

**T=Three-phase
M=Single-phase**

Motor power (HP)

Options



CJBD/INT



CJBD/C



CJBD/F



CJBD/ALS



CJBD/ALF



Erp. (Energy Related Products)

Information on Directive 2009/125/EC can be downloaded from the SODECA website or the QuickFan selector programme.

CENTRIFUGAL FANS AND IN-LINE DUCT EXTRACTOR FANS

Technical characteristics

		Speed (rpm)	Max. admissible current (A)		Installed power (kW)	Maximum flow rate (m³/h)	Sound level (dBA)	Approx. weight (kg)		According to ErP		
			230 V	400 V				CJBD	CJBD/AL	CJBD/CJBD/ALS	CJBD/F CJBD/ALF	
CJBD	CJBD/AL	1919-4M 1/5	1320	1.15	0.15	1500	58	19.4	22.5	2018	2018	
CJBD	CJBD/AL	1919-6M 1/10	820	0.85	0.08	1230	53	19.4	22.5	2016	2018	
CJBD	CJBD/AL	2525-4M 1/2	1320	2.30	0.37	2800	66	28.1	31.8	2016	2018	
CJBD	CJBD/AL	2525-4M 3/4	1310	3.65	0.55	3600	70	28.9	32.6	2016	2018	
CJBD	CJBD/AL	2525-6M 1/6	900	0.95	0.13	2200	60	26.8	30.5	2016	2018	
CJBD	CJBD/AL	2525-6M 1/3	940	1.60	0.25	2700	61	27.6	31.3	2016	2018	
CJBD	CJBD/AL	2828-4M 1/2	1320	2.30	0.37	2800	65	33.0	37.3	2016	2018	
CJBD	CJBD/AL	2828-4M 3/4	1310	3.65	0.55	3950	70	33.8	38.1	2016	2018	
CJBD	CJBD/AL	2828-6M 1/3	940	1.60	0.25	3200	61	32.5	36.8	2018	2018	
CJBD	CJBD/AL	3333-6T 1 1/2	850	6.60	3.80	1.10	7800	74	47.9	53.8	2016	2018
CJBD	CJBD/AL	3333-6M 3/4	930	3.30	0.55	4750	63	46.4	52.3	2018	2018	
CJBD	CJBD/AL	3333-6M 1	850	5.37	0.75	6000	70	47.4	53.3	2016	2018	
CJBD	CJBD/AL	3939-6T 3	890	10.90	6.30	2.20	11400	74	71.8	80.0	2016	2018

Acoustic characteristics

Sound power spectrum Lw(A) in dB(A) per Hz frequency band.

	63	125	250	500	1000	2000	4000	8000		63	125	250	500	1000	2000	4000	8000
CJBD-1919-4M 1/5	43	54	58	62	64	63	62	53	CJBD-2828-4M 3/4	55	66	70	74	76	75	74	65
CJBD-1919-6M 1/10	38	49	53	57	59	58	57	48	CJBD-2828-6M 1/3	46	57	61	65	67	66	65	56
CJBD-2525-4M 1/2	51	62	66	70	72	71	70	61	CJBD-3333-6T 1 1/2	59	70	74	78	80	79	78	69
CJBD-2525-4M 3/4	55	66	70	74	76	75	74	65	CJBD-3333-6M 3/4	48	59	63	67	69	68	67	58
CJBD-2525-6M 1/6	44	55	59	63	65	64	63	54	CJBD-3333-6M 1	55	66	70	74	76	75	74	65
CJBD-2525-6M 1/3	46	57	61	65	67	66	65	56	CJBD-3939-6T 3	61	72	77	81	83	81	80	71
CJBD-2828-4M 1/2	50	61	65	69	71	70	69	60									

Dimensions mm

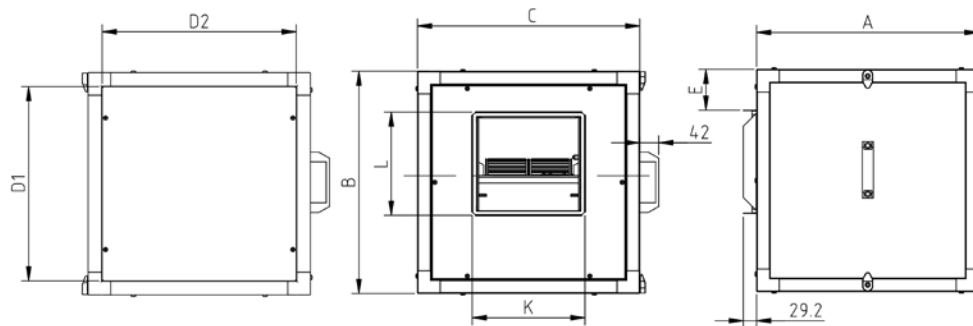
**CJBD
CJBD/INT**

CJBD/F

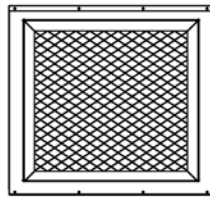
	inches	A	B	C	E	D1	D2	G1	L	K	X (without filter)	X (with filter)
CJBD / CJBD/INT / CJBD/F-1919	7/7	450	460	500	110	370	410	245	210	232	25	30
CJBD / CJBD/INT / CJBD/F-2525	9/9	500	522	550	129.5	426	454	261	263	300	25	30
CJBD / CJBD/INT / CJBD/F-2828	10/10	550	575	600	107	479	504	322	292	326	25	30
CJBD / CJBD/INT / CJBD/F-3333	12/12	650	650	700	106	554	604	372.5	345	387	25	30
CJBD / CJBD/INT / CJBD/F-3939	15/15	800	755	800	115	659	704	438	404	473	25	30

Dimensions mm

CJBD-AL
CJBD-ALS

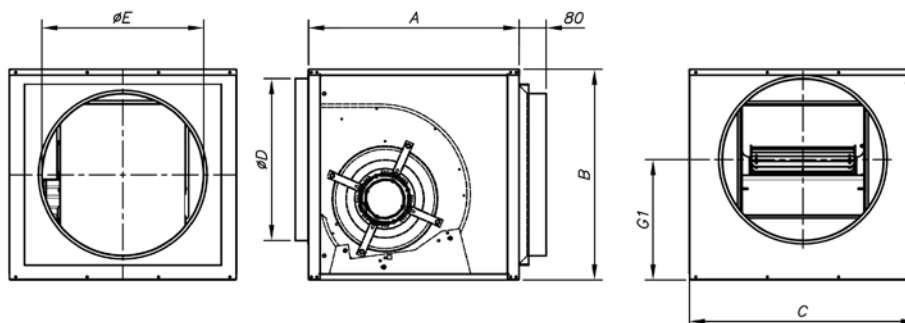


CJBD-ALF



	A	B	C	D1	D2	E	L	K
CJBD-AL / CJBD-ALS / CJBD-ALF 1919	490	490	490	428	428	91	226	247
CJBD-AL / CJBD-ALS / CJBD-ALF 2525	550	550	550	488	488	86	279	317
CJBD-AL / CJBD-ALS / CJBD-ALF 2828	605	605	605	543	543	88	306	343
CJBD-AL / CJBD-ALS / CJBD-ALF 3333	680	680	680	618	618	84	360	404
CJBD-AL / CJBD-ALS / CJBD-ALF 3939	855	855	855	793	793	119	423	490

CJBD-C



	A	B	C	øD	øE	G1
CJBD-C-1919	450	460	500	250	250	245
CJBD-C-2525	500	522	550	355	355	283.5
CJBD-C-2828	550	575	600	400	400	324.5
CJBD-C-3333	650	650	700	500	500	372.5
CJBD-C-3939	800	755	800	560	560	443

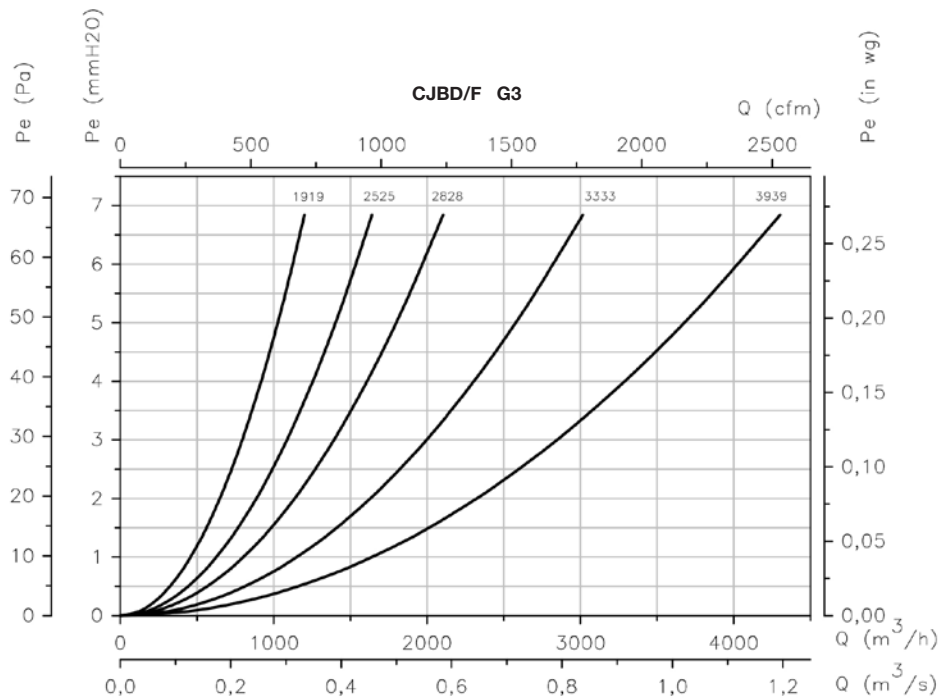
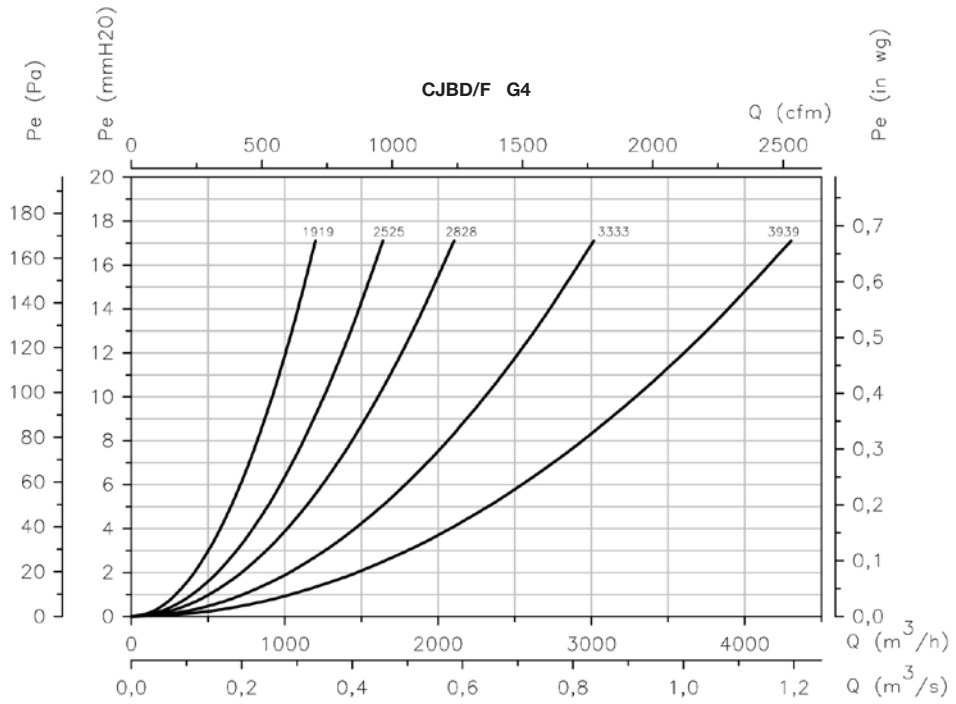
Characteristic curves

Q= Flow rate in m³/h, m³/s and cfm

Pe= Static pressure in mm H₂O, Pa and inwg

Load loss curves of units with filters

CJBD/ALF



Accessories

See accessories section.



CJBD/EW CJBD/EW/AL



E.C. TECHNOLOGY



CJBD/EW: Ventilation units with acoustic insulation, fitted with CBD/EW fans and E.C. Technology motors.

CJBD/EW/AL: Ventilation units made of aluminium profiles and prefinished sheet with acoustic insulation, and fitted with CBD/EW fans with E.C. Technology motors.



CJBD/EW



CJBD/EW/AL

Fan:

- Galvanised sheet steel casing.
- Forward-curved impeller made of galvanised sheet steel.
- Variable speed drive (VSD), single-phase or three-phase, supplied with fan.
- CJBD/EW: Speed controlled by a built-in 10 kΩ MTP010 power meter or an external 0-10 V signal.

Motor:

- New high-efficiency (IE4) synchronous E.C. motors. Fitted with high-intensity neodymium magnets.

- Compact motors to facilitate air flow.
- High-reliability sensorless control, which requires no maintenance.
- Fitted with long-life ball bearings.
- IP54 protection.
- Fan operating temperature: -25 °C +60 °C.

Finish:

- Anti-corrosive finish on galvanised sheet steel.
- CJBD/EW/AL: Anti-corrosive finish on pre-lacquered galvanised sheet steel and aluminium finish.

Order code

CJBD/EW — 2525 — 4 1/2 — B — T

- CJBD/EW:** "Efficient work" high efficiency filter units with acoustic insulation.
- CJBD/EW/AL:** "Efficient work" high efficiency filter units with aluminium profiles, prefinished sheet and acoustic insulation.
- CJBD/EW/C:** "Efficient work" high efficiency filter units with circular inlets and outlets.
- CJBD/EW/F:** "Efficient work" high efficiency filter units with built-in filter.
- CJBD/EW/ALS:** "Efficient work" high efficiency filter units with double-insulated wall and prefinished sheet.
- CJBD/EW/ALF:** "Efficient work" high efficiency filter units in prefinished sheet and with built-in filter.

Impeller size	mm	inch
1919	7/7	
2525	9/9	
2828	10/10	
3333	12/12	

Number of poles:	Motor power (HP)
4=1410 r/min	
6=960 r/min	

E.C. Technology motors

M: Fitted with VSD1/B, electronic variable speed drive with 220-240 V 50/60 Hz single-phase power supply.

T: Fitted with VSD3/B, electronic variable speed drive with 380-415 V 50/60 Hz three-phase power supply.

Options



CJBD/C/EW



CJBD/F/EW



CJBD/ALS/EW



CJBD/ALF/EW

CENTRIFUGAL FANS AND IN-LINE DUCT EXTRACTOR FANS

Technical characteristics

	Equivalence inches	Speed min./max. (r/min)	Maximum inlet current (A)		Max. electric power (W)	Maximum flow rate min./max. (m³/h)	Sound pressure level min./max. Lp dB(A)	Approx. weight (kg)	According to ErP
			230 V	400 V					
			CJBD/EW CJBD/EW/AL 1919-4 1/5	7/7					
CJBD/EW CJBD/EW/AL 1919-6 1/10	7/7	300 / 960	1.17	0.34	140	385 / 1230	28 / 53	7.0	2018
CJBD/EW CJBD/EW/AL 2525-4 1/2	9/9	300 / 1410	3.96	0.93	450	595 / 2800	32 / 66	13.2	2018
CJBD/EW CJBD/EW/AL 2525-4 1	9/9	300 / 1410	7.94	1.87	905	765 / 3600	36 / 70	14.0	2018
CJBD/EW CJBD/EW/AL 2525-6 1/3	9/9	300 / 960	2.93	0.68	330	845 / 2700	37 / 62	12.7	2018
CJBD/EW CJBD/EW/AL 2828-4 1/2	10/10	300 / 1410	3.96	0.93	450	595 / 2800	31 / 65	15.7	2018
CJBD/EW CJBD/EW/AL 2828-4 1	10/10	300 / 1410	7.94	1.87	905	840 / 3950	36 / 70	16.5	2018
CJBD/EW CJBD/EW/AL 2828-6 1/3	10/10	300 / 960	2.93	0.68	330	1000 / 3200	37 / 62	15.2	2018
CJBD/EW CJBD/EW/AL 3333-6 1	12/12	300 / 960	8.32	1.96	955	1875 / 6000	46 / 71	24.0	2018
CJBD/EW CJBD/EW/AL 3333-6 1 1/2	12/12	300 / 960	11.51	2.71	1325	2440 / 7800	50 / 75	24.5	2018

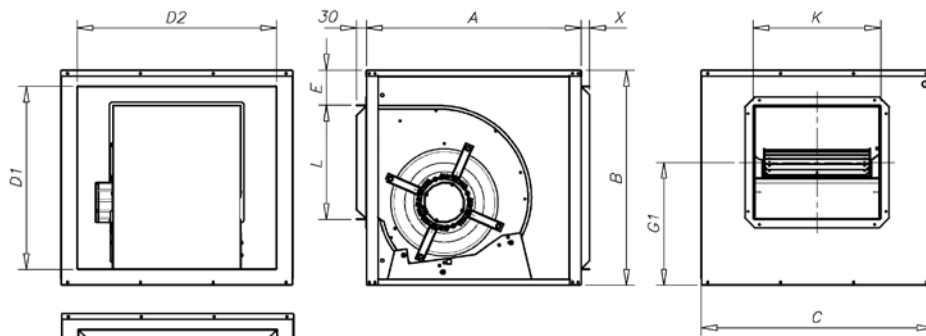
Noise characteristics at maximum speed

The values given are determined by measuring the sound power in dB(A) obtained in a free field at a distance equivalent to twice the size of the fan plus the impeller diameter, with a minimum of 1.5 m.

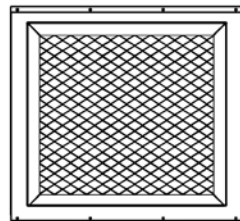
	Noise power spectrum Lw(A) in dB(A) frequency band in [Hz]							
	63	125	250	500	1000	2000	4000	8000
1919-4 1/5	43	54	58	62	64	63	62	53
1919-6 1/10	38	49	53	57	59	58	57	48
2525-4 1/2	51	62	66	70	72	71	70	61
2525-4 1	55	66	70	74	76	75	74	65
2525-6 1/3	46	57	61	65	67	66	65	56
2828-4 1/2	50	61	65	69	71	70	69	60
2828-4 1	55	66	70	74	76	75	74	65
2828-6 1/3	46	57	61	65	67	66	65	56
3333-6 1	55	66	70	74	76	75	74	65
3333-6 1 1/2	59	70	74	78	80	79	78	69

Dimensions mm

CJBD/EW



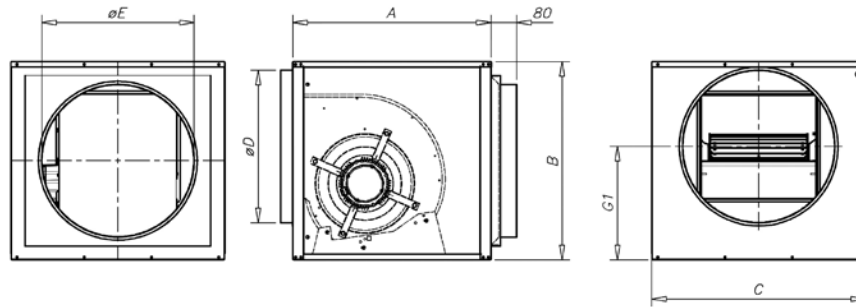
CJBD/EW/F



Size	A	B	C	E	D1	D2	G1	L	K	(without filter) (with filter)		
										X	X	
CJBD/EW-1919	7/7	450	460	500	110	370	410	245	210	232	25	30
CJBD/EW-2525	9/9	500	522	550	129.5	426	454	261	263	300	25	30
CJBD/EW-2828	10/10	550	575	600	107	479	504	322	292	326	25	30
CJBD/EW-3333	12/12	650	650	700	106	554	604	372.5	345	387	25	30

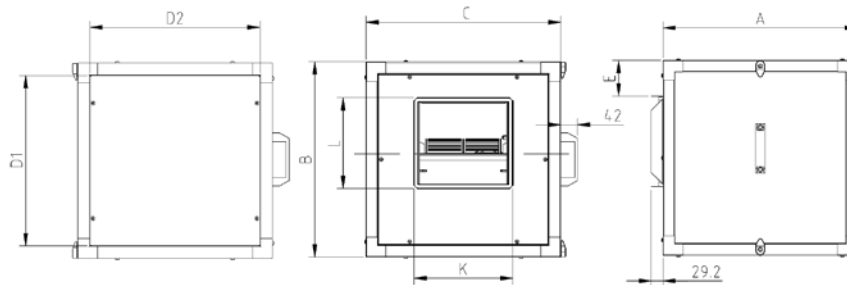
Dimensions mm

CJBD/EW/C

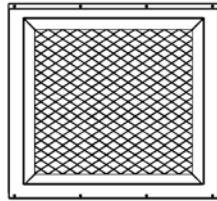


	Equiv. inch.	A	B	C	øD	øE	G1
CJBD/EW/C-1919	7/7	450	460	500	250	250	245
CJBD/EW/C-2525	9/9	500	522	550	355	355	283.5
CJBD/EW/C-2828	10/10	550	575	600	400	400	324.5
CJBD/EW/C-3333	12/12	650	650	700	500	500	372.5

CJBD/EW/AL CJBD/EW/ALS

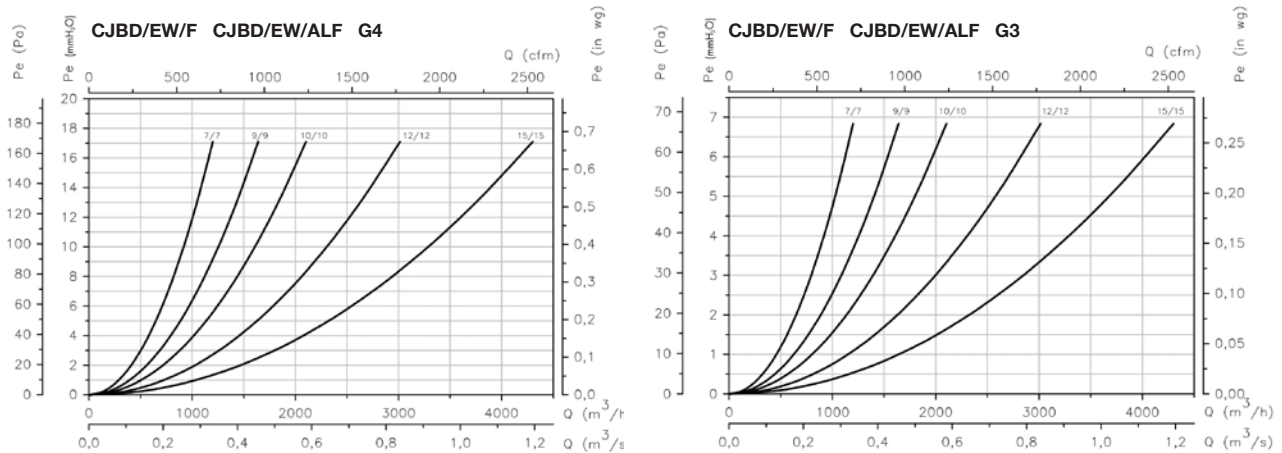


CJBD/EW/ALF



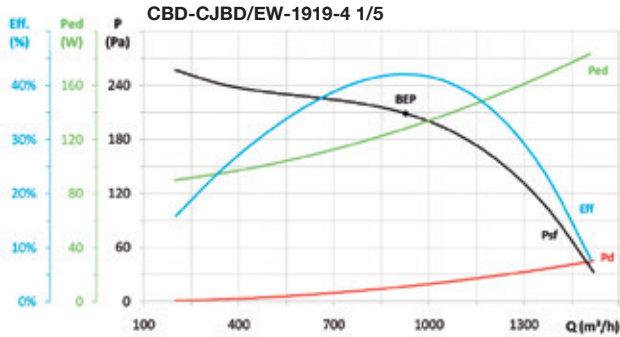
	A	B	C	D1	D2	E	L	K
CJBD/EW/AL / CJBD/EW/ALS / CJBD/EW/ALF 1919	490	490	490	428	428	91	226	247
CJBD/EW/AL / CJBD/EW/ALS / CJBD/EW/ALF 2525	550	550	550	488	488	86	279	317
CJBD/EW/AL / CJBD/EW/ALS / CJBD/EW/ALF 2828	605	605	605	543	543	88	306	343
CJBD/EW/AL / CJBD/EW/ALS / CJBD/EW/ALF 3333	680	680	680	618	618	84	360	404

Load loss characteristic curves of units with filters



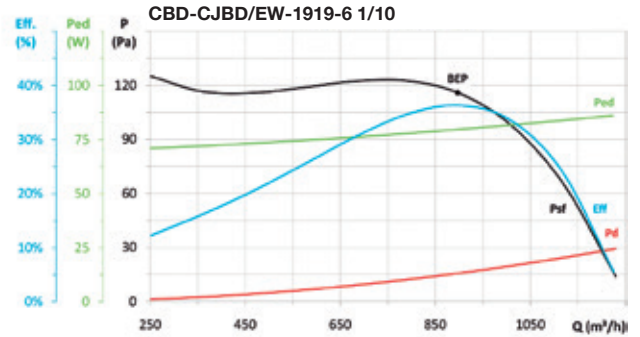


Erp. Characteristic curves and ErP data

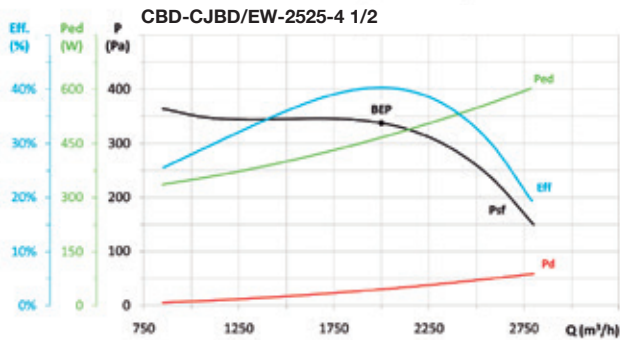


MC	EC	SR	Cc	η_e (%)*	N	[kW]	[m³/h]	[Pa]	[rpm]	VSD
A	S	1,00	1,15	48,4%	60,3	0,128	926	208,7	1410	INCLUDED

* η_e (%) = Eff. (%) x Cc

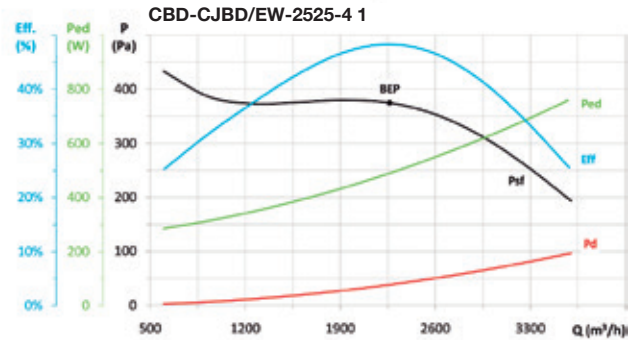


MC	EC	SR	Cc	η_e (%)*	N	[kW]	[m³/h]	[Pa]	[rpm]	VSD
A	S	-	-	-	-	0,080	897	115,9	960	INCLUDED



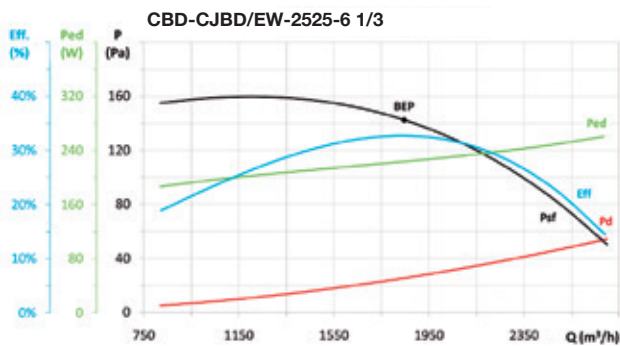
MC	EC	SR	Cc	η_e (%)*	N	[kW]	[m³/h]	[Pa]	[rpm]	VSD
A	S	1,00	1,11	44,8%	53,2	0,465	2000	337,4	1410	INCLUDED

* η_e (%) = Eff. (%) x Cc



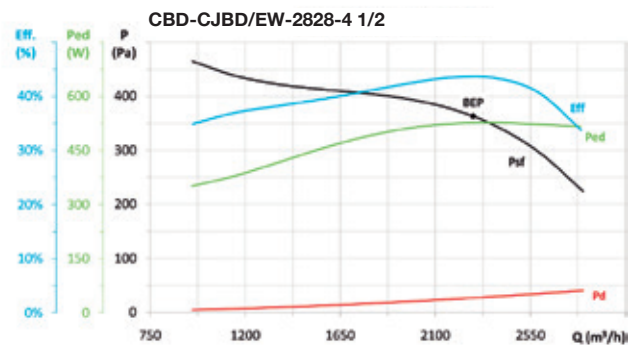
MC	EC	SR	Cc	η_e (%)*	N	[kW]	[m³/h]	[Pa]	[rpm]	VSD
A	S	1,00	1,11	53,6%	61,9	0,488	2265	374,7	1410	INCLUDED

* η_e (%) = Eff. (%) x Cc



MC	EC	SR	Cc	η_e (%)*	N	[kW]	[m³/h]	[Pa]	[rpm]	VSD
A	S	1,00	1,13	37,1%	47,5	0,223	1846	142,5	960	INCLUDED

* η_e (%) = Eff. (%) x Cc

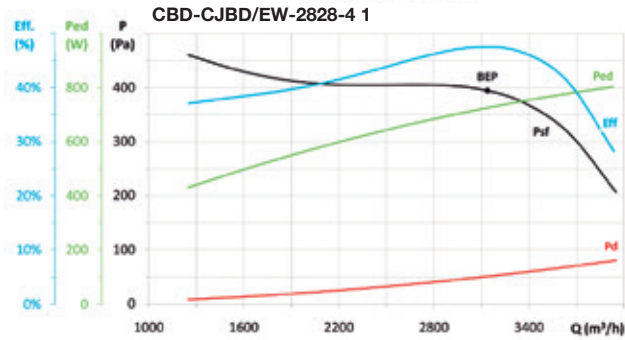


MC	EC	SR	Cc	η_e (%)*	N	[kW]	[m³/h]	[Pa]	[rpm]	VSD
A	S	1,00	1,11	48,3%	56,4	0,527	2279	363,1	1410	INCLUDED

* η_e (%) = Eff. (%) x Cc

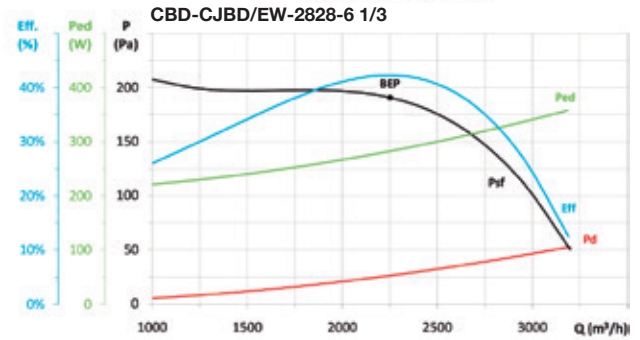


Erp. Characteristic curves and ErP data



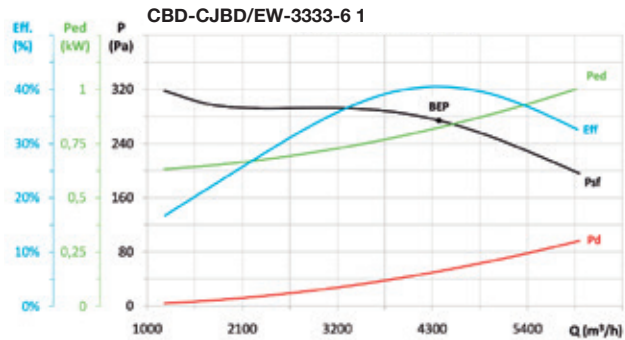
MC	EC	SR	Cc	η_a (%)*	N	[kW]	[m³/h]	[Pa]	[rpm]	VSD
A	S	1,00	1,10	52,1%	59,4	0,723	3138	394,1	1410	INCLUDED

* η_e (%) = Eff. (%) x Cc



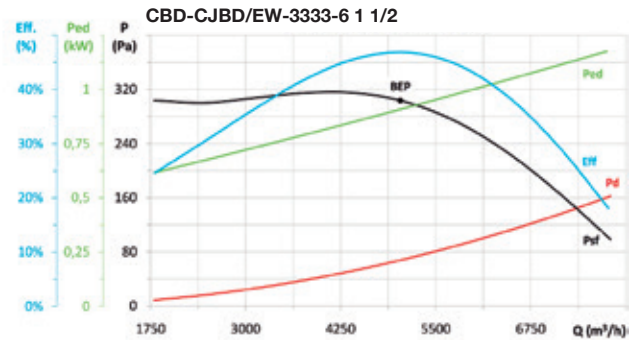
MC	EC	SR	Cc	η_a (%)*	N	[kW]	[m³/h]	[Pa]	[rpm]	VSD
A	S	1,00	1,13	47,6%	57,4	0,282	2251	190,6	960	INCLUDED

* η_e (%) = Eff. (%) x Cc



MC	EC	SR	Cc	η_a (%)*	N	[kW]	[m³/h]	[Pa]	[rpm]	VSD
A	S	1,00	1,09	44,3%	51,2	0,822	4377	274,1	960	INCLUDED

* η_e (%) = Eff. (%) x Cc



MC	EC	SR	Cc	η_a (%)*	N	[kW]	[m³/h]	[Pa]	[rpm]	VSD
A	S	1,00	1,09	51,1%	57,7	0,906	5035	303,7	960	INCLUDED

* η_e (%) = Eff. (%) x Cc

Accessories

See accessories section.



INT



TEJ



VIS



CONTROL UNITS AND SENSORS

CJBD/EW/CPC



E.C. TECHNOLOGY WITH BUILT-IN VSD



Automatic operation extractor fan units with acoustic insulation, fitted with CBD/EW fans with E.C. Technology motors and constant pressure control.



Fan:

- Galvanised sheet steel casing.
- Forward-curved impeller made of galvanised sheet steel.
- Variable speed drive (VSD), single-phase or three-phase, supplied with fan.

Motor:

- New high-efficiency (IE4) synchronous E.C. motors. Fitted with high-intensity neodymium magnets.
- Compact motors to facilitate air flow.
- High-reliability sensorless control, which requires no maintenance.
- Fitted with long-life ball bearings.
- IP54 protection.
- Fan operating temperature: -25 °C +60 °C.

Electronic variable speed drive:

- Adjustable speed by 0-10 V signal or automatic PI control built into variable speed drive.
- Electronic variable speed drive highly configurable with 2 analogue inputs, 2 digital inputs, 1 relay output and a choice of 1 analogue or 1 digital output.
- Possibility of connection to MODBUS and CAN Open field buses.
- Electronic variable speed drive easy to install outside the operating zone, that thanks to its DIN rail can be mounted in control blocks, thus minimising connections.
- Supplied pre-wired with shielded cable in accordance with the EMC 2014/30/EU directive.
- Available with single-phase 220-240 V 50/60 Hz (VSD1/B) or three-phase 380-415 V 50/60 Hz (VSD3/B) inputs. Standard IP20 protection, IP66 protection on request.
- VSD operating temperature: -25 °C +50 °C.

CPC control:

- Equipment preconfigured in constant pressure mode with 100 Pa setpoint.
- Possibility of adjustment to other pressures.
- Possibility of working with a constant flow rate.
- Plug&Play system for easy installation.
- Programming range from 0 to 2500 Pa.
- On-off switch with built-in safety locking system.
- 230 V AC single-phase and 380 V AC three-phase power versions.
- IP55 protection.

Finish:

- Anti-corrosive finish on galvanised sheet steel.

Order code including supply of electronic variable speed drive (VSD)

CJBD/EW	—	2525	—	4 1/2	—	B	—	T	/CPC	
↓		↓		↓	↓	↓		↓	↓	
Automatic operation extractor fan units with acoustic insulation and E.C. Technology motors with constant pressure control.		Impeller size mm inch 1919 7/7 2525 9/9 2828 10/10 3333 12/12		Number of poles: 4=1410 r/min 6=960 r/min		Motor power (HP)		E.C. Technology motors	M: Fitted with VSD1/B, electronic variable speed drive with 220-240 V 50/60 Hz single-phase power supply. T: Fitted with VSD3/B, electronic variable speed drive with 380-415 V 50/60 Hz three-phase power supply.	Automatic constant pressure regulation control.

Technical characteristics

	Speed min./max. (r/min)	Equiv. inches	Single-phase VSD 230 V 50/60 Hz		Three-phase VSD 400 V 50/60 Hz		Max. electric power (W)	Maximum flow rate min./max. (m³/h)	Sound pressure level min./max. Lp dB(A)	Approx. weight (kg)	According to ErP
			Maximum inlet current (A)	Model VSD	Maximum inlet current (A)	Model VSD					
CJBD/EW-1919-4 1/5/CPC	300 / 1410	7/7	2.13	VSD1/B-0.37	0.62	VSD3/B-0.75	260	325 / 1520	25 / 59	7.0	2018
CJBD/EW-1919-6 1/10/CPC	300 / 960	7/7	1.17	VSD1/B-0.37	0.34	VSD3/B-0.75	140	385 / 1230	28 / 53	7.0	2018
CJBD/EW-2525-4 1/2/CPC	300 / 1410	9/9	3.96	VSD1/B-0.37	0.93	VSD3/B-0.75	450	595 / 2800	32 / 66	13.2	2018
CJBD/EW-2525-4 1/CPC	300 / 1410	9/9	7.94	VSD1/B-0.75	1.87	VSD3/B-1.5	905	765 / 3600	36 / 70	14.0	2018
CJBD/EW-2525-6 1/3/CPC	300 / 960	9/9	2.93	VSD1/B-0.37	0.68	VSD3/B-0.75	330	845 / 2700	37 / 62	12.7	2018
CJBD/EW-2828-4 1/2/CPC	300 / 1410	10/10	3.96	VSD1/B-0.37	0.93	VSD3/B-0.75	450	595 / 2800	31 / 65	15.7	2018
CJBD/EW-2828-4 1/CPC	300 / 1410	10/10	7.94	VSD1/B-0.75	1.87	VSD3/B-1.5	905	840 / 3950	36 / 70	16.5	2018
CJBD/EW-2828-6 1/3/CPC	300 / 960	10/10	2.93	VSD1/B-0.37	0.68	VSD3/B-0.75	330	1000 / 3200	37 / 62	15.2	2018
CJBD/EW-3333-6 1/CPC	300 / 960	12/12	8.32	VSD1/B-1.5	1.96	VSD3/B-1.5	955	1875 / 6000	46 / 71	24.0	2018
CJBD/EW-3333-6 1 1/2/CPC	300 / 960	12/12	11.51	VSD1/B-1.5	2.71	VSD3/B-1.5	1325	2440 / 7800	50 / 75	24.5	2018



Erp. (Energy Related Products)

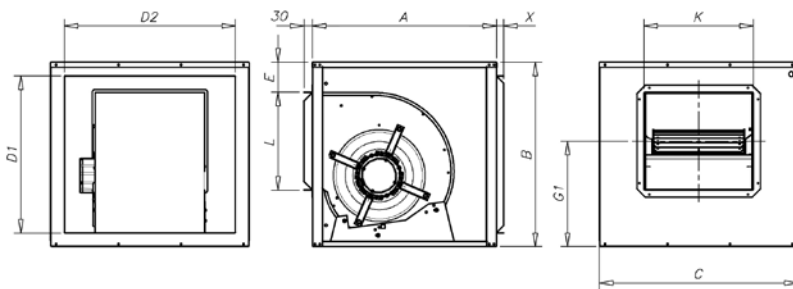
Information on Directive 2009/125/EC can be downloaded from the SODECA website or the QuickFan selector programme.

Acoustic characteristics

Noise power spectrum Lw(A) in dB(A) frequency band in [Hz]

	63	125	250	500	1000	2000	4000	8000		63	125	250	500	1000	2000	4000	8000
1919-4 1/5	43	54	58	62	64	63	62	53	2828-4 1/2	50	61	65	69	71	70	69	60
1919-6 1/10	38	49	53	57	59	58	57	48	2828-4 1	55	66	70	74	76	75	74	65
2525-4 1/2	51	62	66	70	72	71	70	61	2828-6 1/3	46	57	61	65	67	66	65	56
2525-4 1	55	66	70	74	76	75	74	65	3333-6 1	55	66	70	74	76	75	74	65
2525-6 1/3	46	57	61	65	67	66	65	56	3333-6 1 1/2	59	70	74	78	80	79	78	69

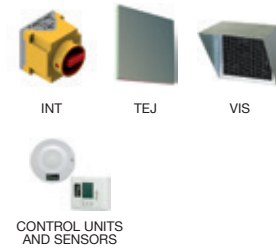
Dimensions mm



(without filter) (with filter)

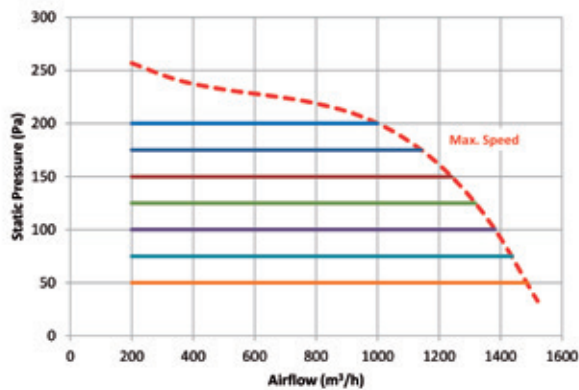
	A	B	C	E	D1	D2	G1	L	K	X	X'
CJBD/EW-1919/CPC	450	460	500	110	370	410	245	210	232	25	30
CJBD/EW-2525/CPC	500	522	550	129.5	426	454	261	263	300	25	30
CJBD/EW-2828/CPC	550	575	600	107	479	504	322	292	326	25	30
CJBD/EW-3333/CPC	650	650	700	106	554	604	372.5	345	387	25	30

Accessories

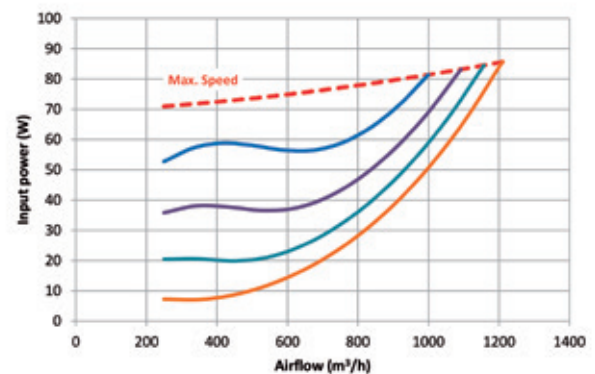
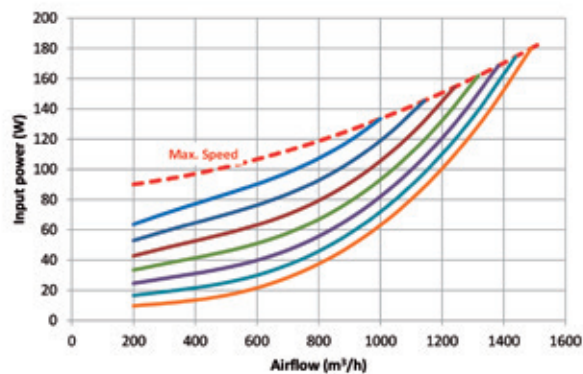
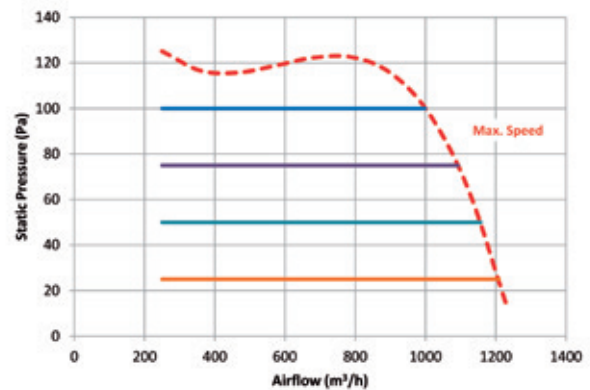


Characteristic curves

CJBD/EW-1919-4 1/5/CPC

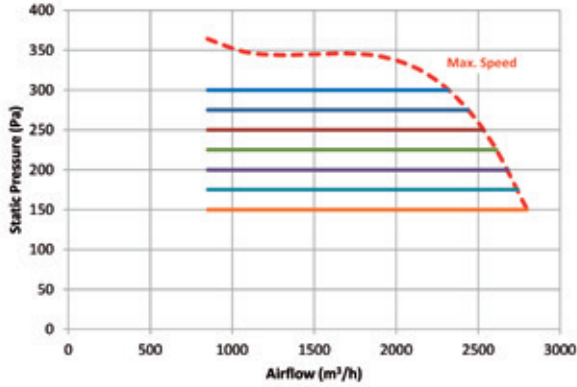


CJBD/EW-1919-6 1/10/CPC

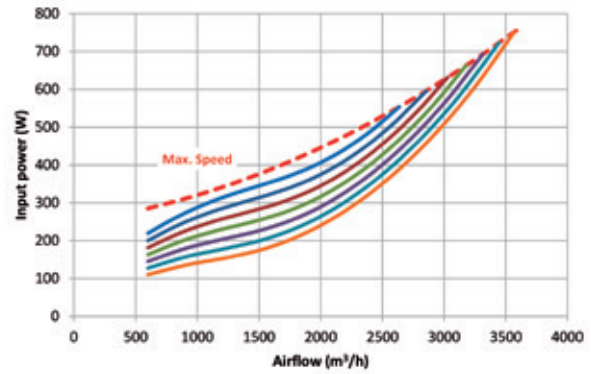
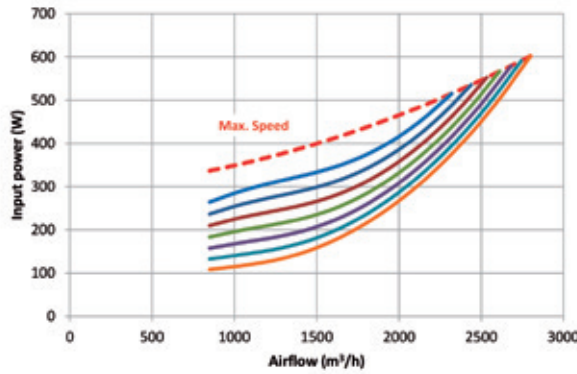
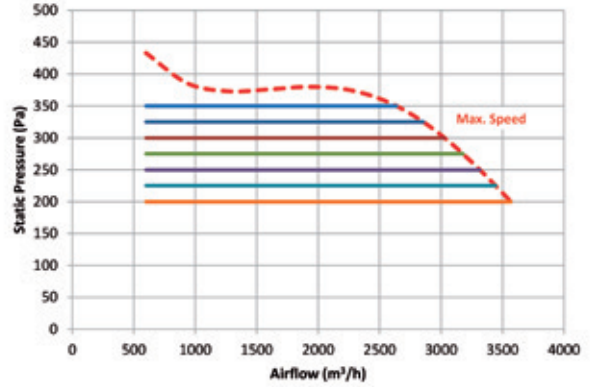


Characteristic curves

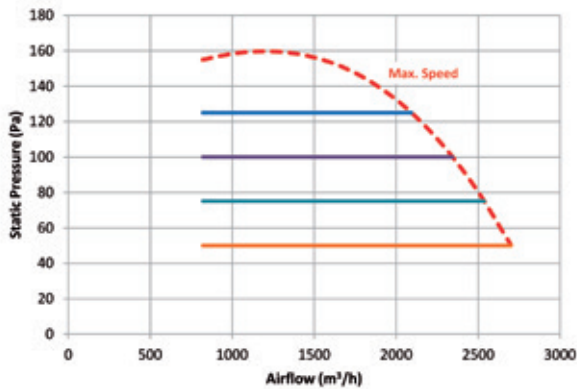
CJBD/EW-2525-4 1/2/CPC



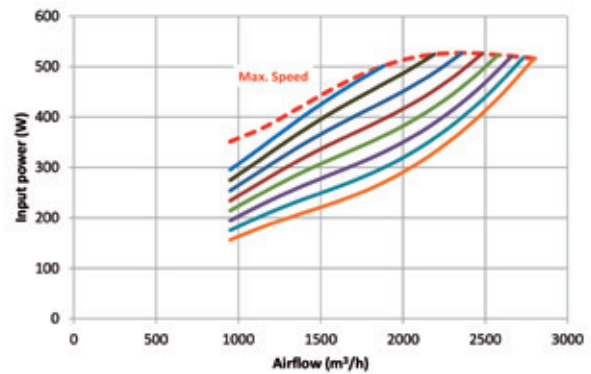
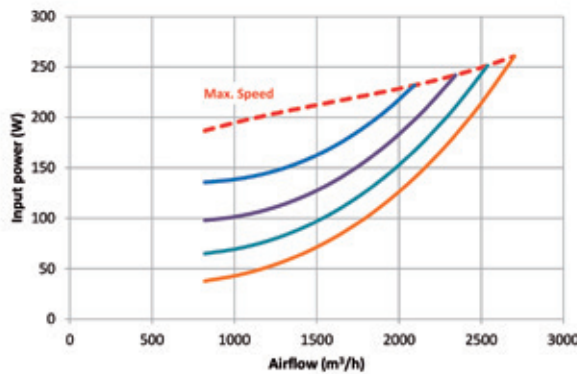
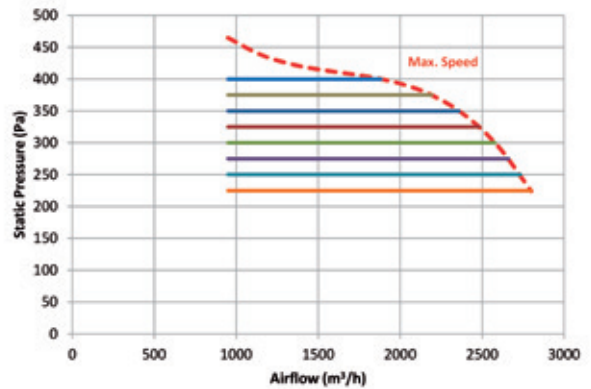
CJBD/EW-2525-4 1/CPC



CJBD/EW-2525-6 1/3/CPC

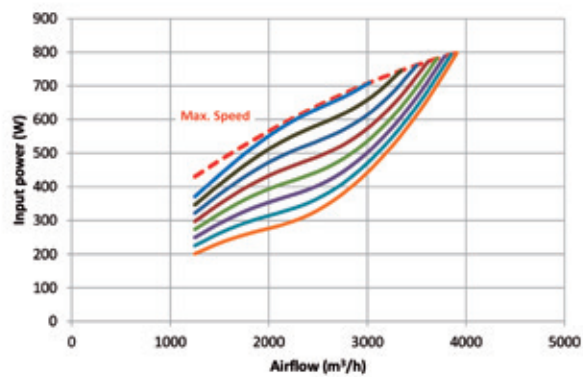
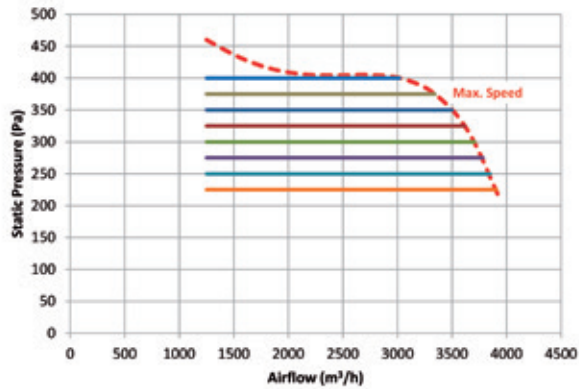


CJBD/EW-2828-4 1/2/CPC

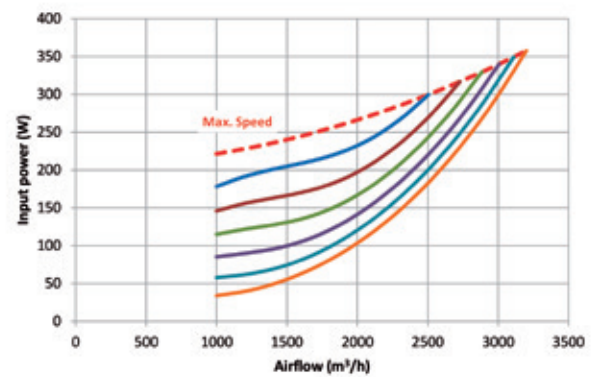
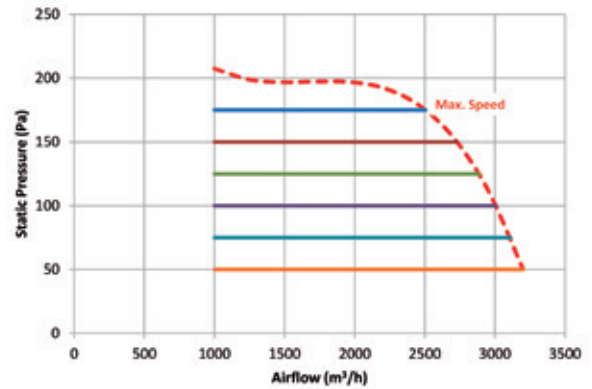


Characteristic curves

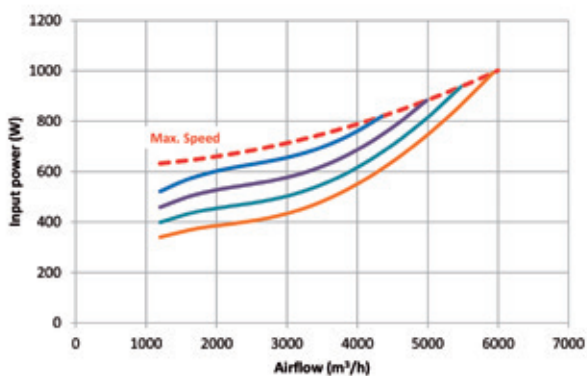
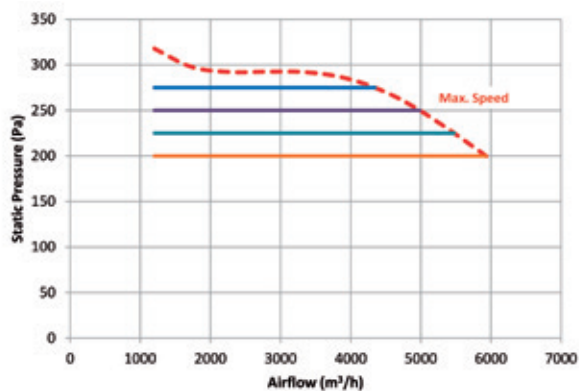
CJBD/EW-2828-4 1/CPC



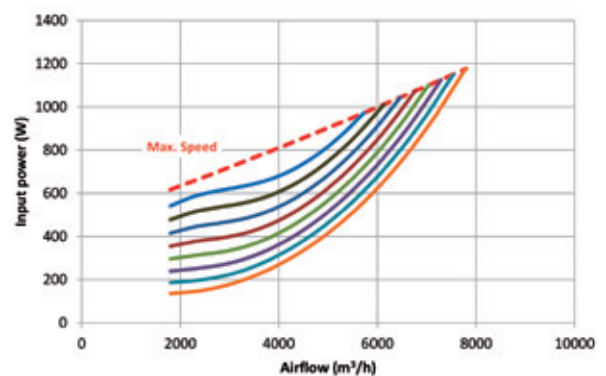
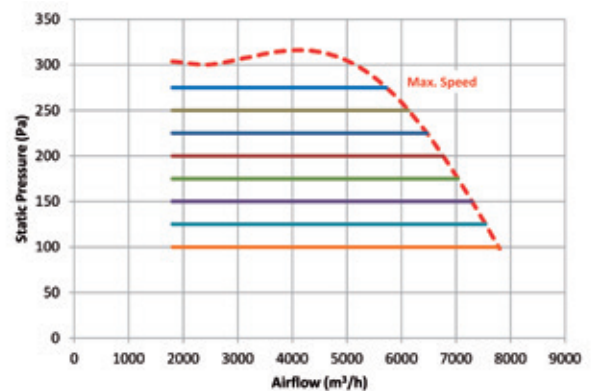
CJBD/EW-2828-6 1/3/CPC



CJBD/EW-3333-6 1/CPC



CJBD/EW-3333-6 1 1/2/CPC



CJV/EW



E.C. TECHNOLOGY WITH BUILT-IN VSD



Automatic operation extractor fan units with vertical air outlet, E.C. Technology motors and constant pressure control for mechanical ventilation in homes (CMV).



Model CJV/EW-1800/T approved for 400 °C/2 h



Fan:

- Extractor fan units with vertical impulsion and two circular extraction nozzles.
- Galvanised sheet steel casing.
- Forward-curved impeller made of galvanised sheet steel.
- Single-phase electric variable speed drive (VSD) supplied with fan.

Motor:

- High-efficiency (IE4) synchronous E.C. motors. Fitted with high-intensity neodymium magnets.
- High-reliability sensorless control, which requires no maintenance.
- Fitted with long-life ball bearings.
- IP55 protection.
- Fan operating temperature: -25 °C +60 °C.
- CJV/EW-1800/T: Fan operating temperature: S1 continuous operation -25 °C +60 °C. S2 operation 400 °C/2h.
- Approved in accordance with standard EN 12101-3.

Electronic variable speed drive:

- Speed adjusted based on pressure setpoint.
- Automatic PI control built into the variable speed drive and differential pressure probe.
- Variable speed drive parameters easily configurable via Display and Keypad.
- Supplied with a START/STOP safety switch that is fully wired and ready to be installed.
- Available with single-phase 220-240 V 50/60 Hz input.
- VSD operating temperature: -25 °C +50 °C

Finish:

- Anti-corrosive finish on galvanised sheet steel ready for outdoor installation.

On request:

- Horizontal impulsion fan.

Technical characteristics

	Speed min./max. (r/min)	Single-phase VSD 230 V 50/60 Hz Maximum inlet current (A)	Maximum electric power (W)	Sound pressure level min./max. Lp dB(A)	Approx. weight (kg)	According to ErP
CJV/EW-1800	300/1800	5.2	660	21 / 60	35	2018
CJV/EW-1800/T	300/1800	5.2	660	21 / 60	35	2018

Acoustic characteristics

Sound power spectrum Lw(A) in dB(A) per Hz frequency band.

Irradiated values at 1700 m³/h -250 Pa

	63	125	250	500	1000	2000	4000	8000
CJV/EW-1800	44	54	65	72	76	73	71	64
CJV/EW-1800/T	44	54	65	72	76	73	71	64



Erp. (Energy Related Products)

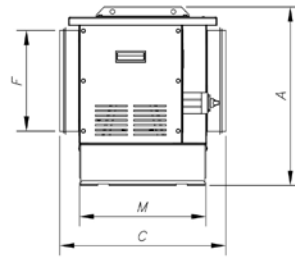
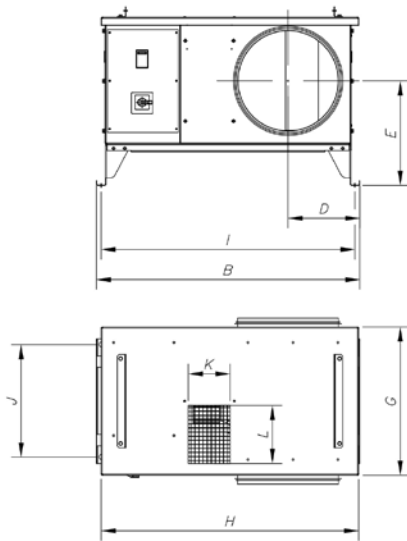
Information on Directive 2009/125/EC can be downloaded from the SODECA website or the QuickFan selector programme.

Accessories

See accessories section.



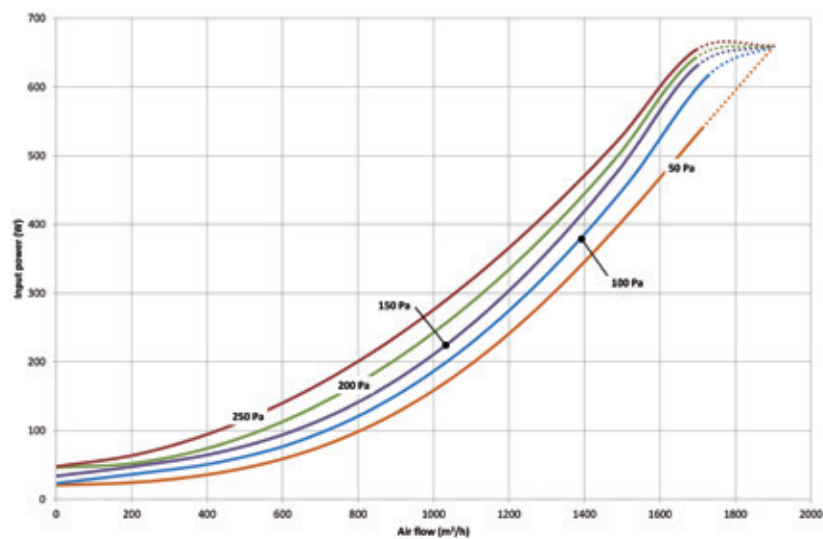
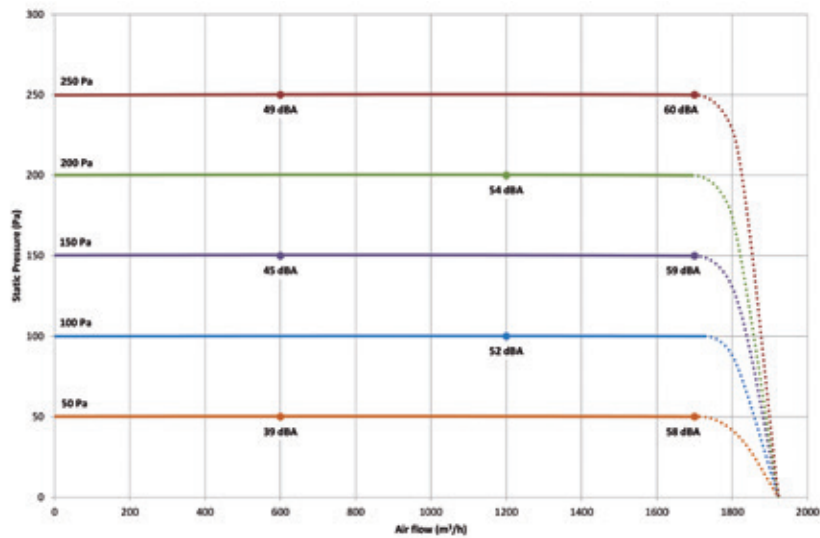
Dimensions mm



	A	B	C	D	E	F	G	H	I	J	K	L	M
CJV/EW-1800	560	815	520	225	325	315	460	800	780	345	130	180	395
CJV/EW-1800/T	560	815	520	225	325	315	460	800	780	345	130	180	395

Characteristic curves

Flow rate in m³/h. Static pressure in Pa. Electric power in W. Irradiated sound pressure at 4 m.



CBDRE CJBDR



CBDRE: Double-inlet centrifugal fans with high efficiency external rotor motors.
CJBDR: Ventilation units with double insulated wall, prefinished sheet and aluminium profiles.



CBDRE



CJBDR

Fan:

- Galvanised sheet steel casing.
- Forward-curved impeller made of galvanised sheet steel.

Motor:

- Class F external rotor high efficiency motors and IP54 protection.
- Three-phase 400 V-50 Hz.
- Fan operating temperature: -20 °C +60 °C.

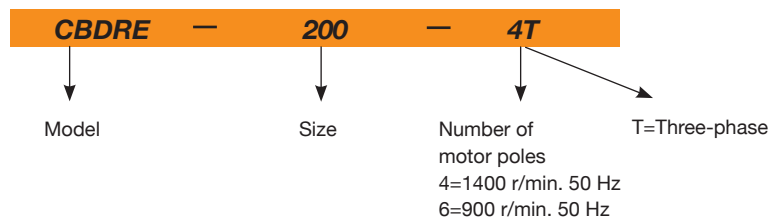
Finish:

- CBDRE: Anti-corrosive finish on galvanised sheet steel.
- CJBDR: Prefinished sheet and aluminium profile.

On request:

- CJBDR with built-in filter.

Order code



Technical characteristics

		Speed (r/min)		Maximum current 400 V (A)		Max. electric power (kW)		Maximum flow rate min./max. (m³/h)		Sound pressure level (dBA) min./max. CBDRE CJBDR		Approx. weight (kg) CBDRE CJBDR		According to ErP CBDRE CJBDR	
CBDRE	CJBDR	200-4T	500 / 1300	1.07	0.49	730 / 1900	43 / 64	41 / 62	16	27	2015	2016			
CBDRE	CJBDR	225-4T	550 / 1350	1.42	0.63	1080 / 2650	47 / 66	45 / 64	17	29	2015	2016			
CBDRE	CJBDR	250-4T	550 / 1350	1.42	0.75	1080 / 2650	48 / 67	46 / 65	20	35	2015	2016			
CBDRE	CJBDR	250-6T	350 / 890	1.37	0.46	1005 / 2550	45 / 65	43 / 63	20	35	2015	2018			
CBDRE	CJBDR	280-4T	550 / 1350	2.31	1.18	1425 / 3500	46 / 65	44 / 63	32	49	2015	2018			
CBDRE	CJBDR	280-6T	350 / 890	1.83	0.83	1610 / 4100	46 / 66	44 / 64	24	41	2015	2016			
CBDRE	CJBDR	315-4T	550 / 1400	5.26	3.05	2770 / 7050	38 / 58	36 / 56	50	73	2015	2018			
CBDRE	CJBDR	315-6T	350 / 920	2.55	1.32	2300 / 6050	42 / 63	39 / 60	41	64	2015	2018			
CBDRE	CJBDR	355-6T	350 / 920	4.20	1.84	2700 / 7100	52 / 73	49 / 70	54	77	2015	2018			
CBDRE	CJBDR	400-6T	350 / 920	5.60	2.92	3575 / 9400	48 / 69	45 / 66	75	108	2015	2018			
CBDRE	CJBDR	450-6T	350 / 920	7.50	4.39	4240 / 11150	49 / 70	45 / 66	87	130	2015	2016			
CBDRE	CJBDR	500-6T	350 / 920	14.50	7.20	5690 / 14950	54 / 75	51 / 72	127	181	2015	2016			

Acoustic characteristics

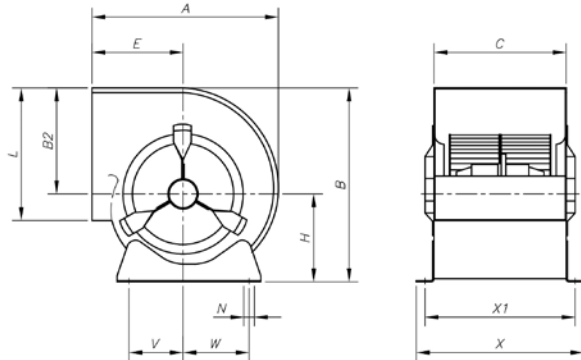
The values given are determined by measuring the sound power in dB(A) obtained in a free field at a distance equivalent to twice the size of the fan plus the impeller diameter, with a minimum of 1.5 m.

Sound power spectrum Lw(A) in dB(A) per Hz frequency band.

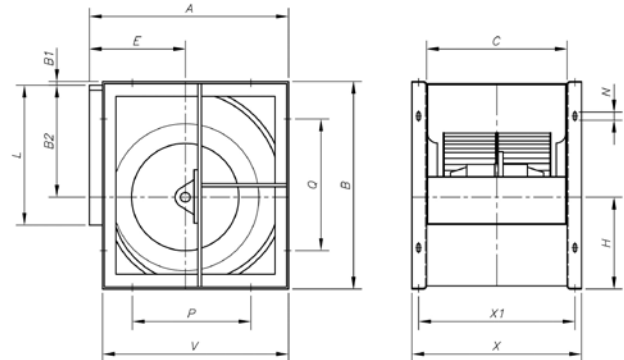
	63	125	250	500	1000	2000	4000	8000		63	125	250	500	1000	2000	4000	8000
CBDRE-200-4T	64	63	67	67	70	68	67	57	CJBDR-200-4T	62	61	65	65	68	66	65	55
CBDRE-225-4T	68	63	70	68	72	71	68	59	CJBDR-225-4T	67	61	68	66	70	69	66	57
CBDRE-250-4T	71	66	66	70	72	70	68	61	CJBDR-250-4T	69	64	64	68	70	68	66	59
CBDRE-250-6T	66	58	65	68	72	70	68	60	CJBDR-250-6T	64	56	63	66	70	68	66	58
CBDRE-280-4T	67	58	67	70	70	68	67	60	CJBDR-280-4T	66	57	65	69	68	66	65	59
CBDRE-280-6T	70	58	65	69	73	68	68	62	CJBDR-280-6T	69	56	63	67	71	67	66	61
CBDRE-315-4T	61	56	61	60	65	61	61	55	CJBDR-315-4T	59	54	59	58	63	60	59	53
CBDRE-315-6T	66	59	63	66	69	67	67	59	CJBDR-315-6T	64	57	61	64	67	65	65	57
CBDRE-355-6T	72	74	72	75	79	78	75	68	CJBDR-355-6T	70	73	70	73	77	76	74	66
CBDRE-400-6T	73	73	69	70	76	74	72	63	CJBDR-400-6T	72	72	67	69	74	73	70	62
CBDRE-450-6T	76	61	70	79	77	75	72	66	CJBDR-450-6T	74	59	68	77	76	74	71	64
CBDRE-500-6T	83	76	76	84	82	79	77	71	CJBDR-500-6T	81	75	75	82	80	77	75	70

Dimensions mm

CBDRE-200...280

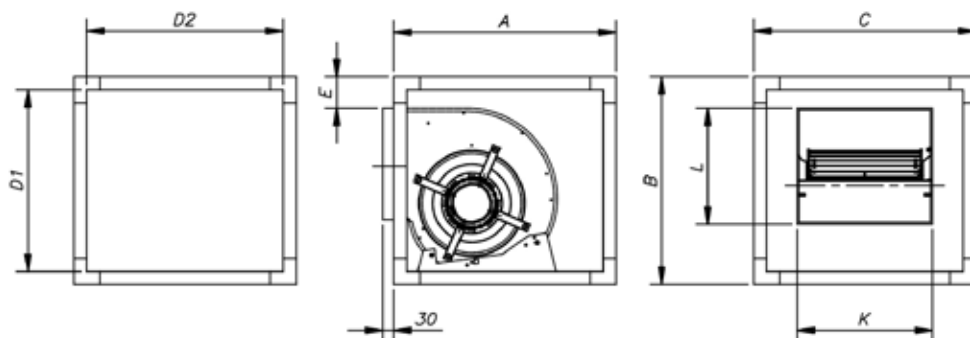


CBDRE-315...500



	A	B	B1	B2	C	E	H	L	N	P	Q	V	W	X	X1
CBDRE-200	317	332	-	180	300	153	152	230	11x16	-	-	81	99	360	333
CBDRE-225	357	383	-	215.5	288	167	167.5	246	11x16	-	-	100	120	349	319
CBDRE-250-4T	389	407	-	226	300	187	181	272	11x16	-	-	110	130	360	330
CBDRE-250-6T	377	395	-	215	281	184	180	273	11x16	-	-	110	130	341	311
CBDRE-280-4T	417	436	-	241	356	201	195	305	11x16	-	-	132	138	416	386
CBDRE-280-6T	417	436	-	241	300	201	195	305	11x16	-	-	132	138	360	330
CBDRE-315	490	495	5	271	400	242	219	338	13x18	280	280	450	-	480	440
CBDRE-355	545	557	5	305	431	266	247	375	13x18	315	315	505	-	511	471
CBDRE-400	605	626	5	344	460	292	277	419	13x18	355	355	565	-	540	500
CBDRE-450	674	703	5	387	469	322	311	469	13x18	400	400	634	-	569	519
CBDRE-500	741	780	5	430	506	351	345	506	13x18	450	450	701	-	606	556

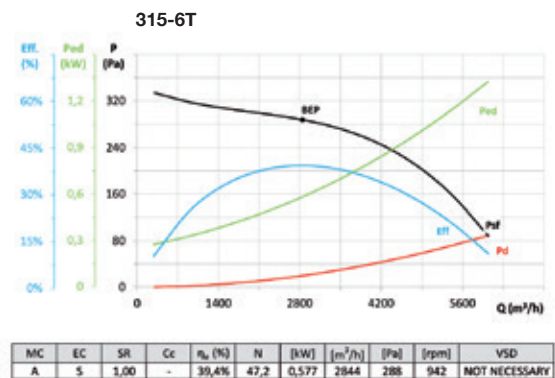
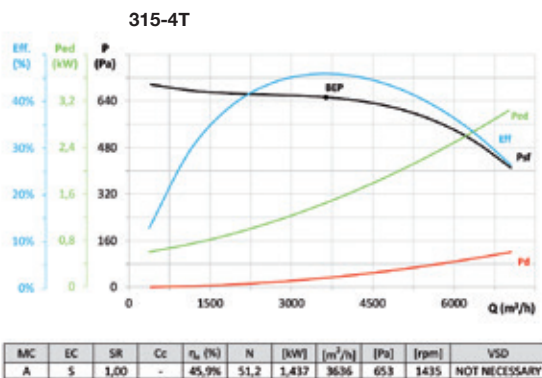
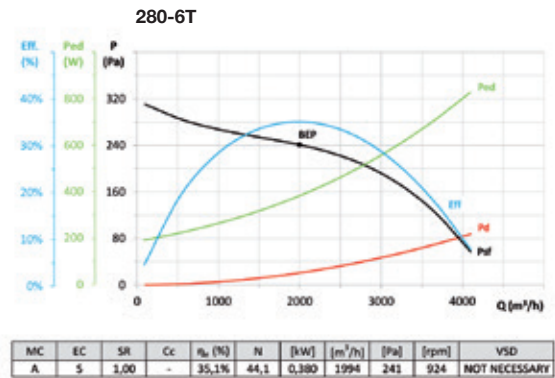
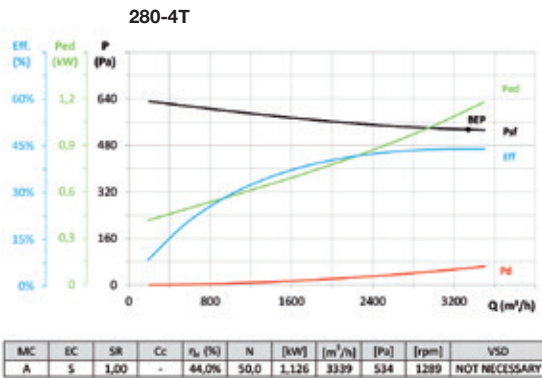
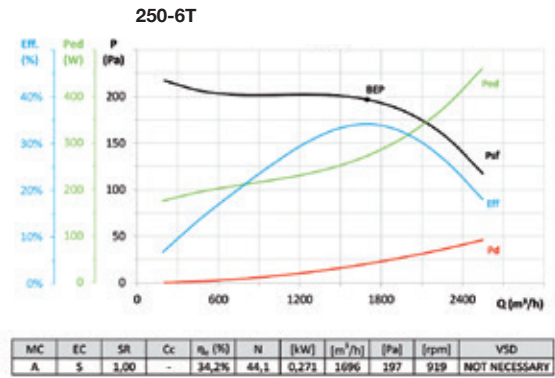
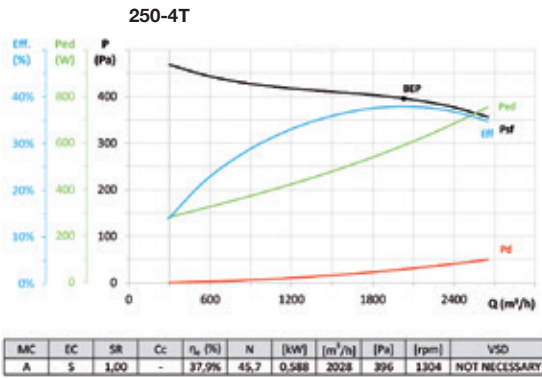
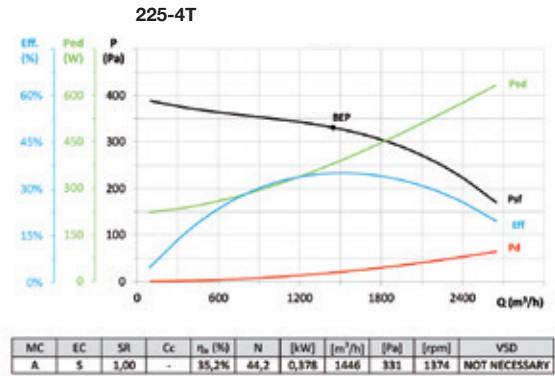
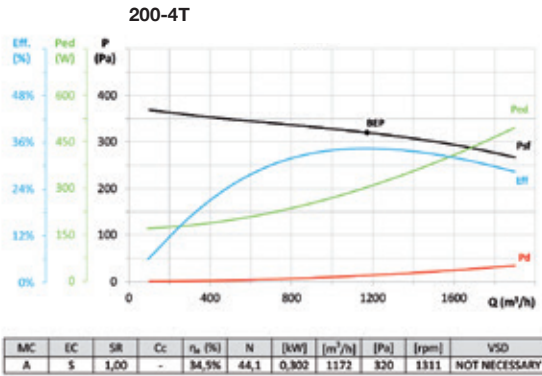
CJBDRE



	A	B	C	D1	D2	E	L	K
CJBDRE-200-4T	490	490	490	430	430	88	253	318
CJBDRE-225-4T	550	550	550	490	490	98	263	305
CJBDRE-250-4T	550	550	550	490	490	73	293	318
CJBDRE-250-6T	550	550	550	490	490	88	293	299
CJBDRE-280-4T	605	605	605	545	545	100	326	374
CJBDRE-280-6T	605	605	605	545	545	100	326	318
CJBDRE-315-4T	680	680	680	620	620	113	356	418
CJBDRE-355-6T	680	680	680	620	620	63	393	448
CJBDRE-400-6T	790	790	790	730	730	103	438	478
CJBDRE-450-6T	850	850	850	790	790	83	488	488
CJBDRE-500-6T	930	930	930	870	870	88	523	523

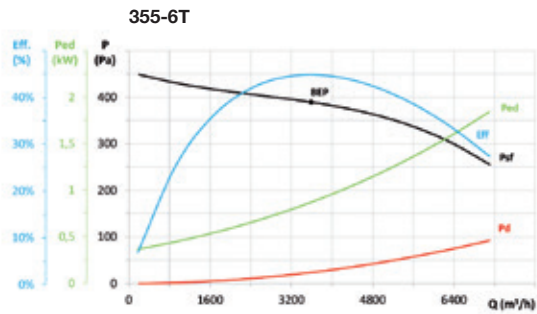


Erp. Characteristic curves and ErP data

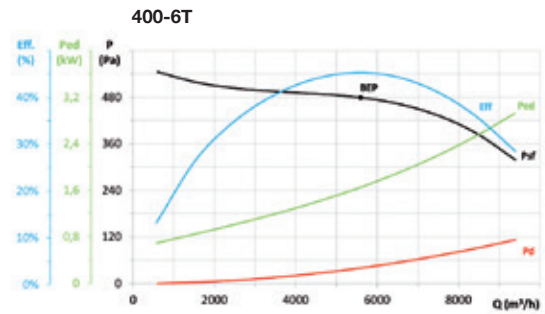




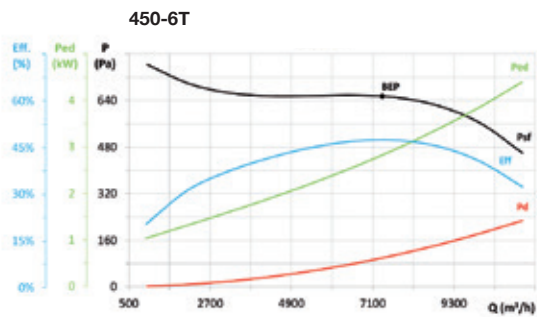
Erp. Characteristic curves and ErP data



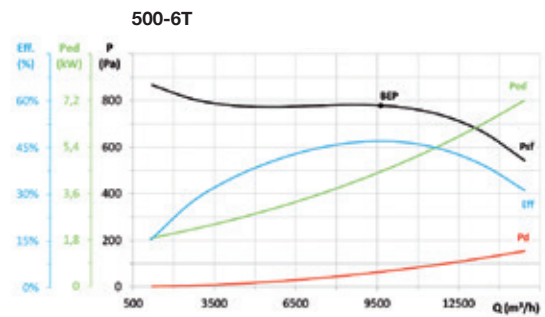
MC	EC	SR	Cc	η_{is} (%)	N	[kW]	[m³/h]	[Pa]	[rpm]	VSD
A	S	1,00	-	44,9%	51,6	0,865	3590	389	954	NOT NECESSARY



MC	EC	SR	Cc	η_{is} (%)	N	[kW]	[m³/h]	[Pa]	[rpm]	VSD
A	S	1,00	-	45,3%	50,3	1,642	5593	479	940	NOT NECESSARY



MC	EC	SR	Cc	η_{is} (%)	N	[kW]	[m³/h]	[Pa]	[rpm]	VSD
A	S	1,00	-	47,5%	51,0	2,816	7358	655	925	NOT NECESSARY



MC	EC	SR	Cc	η_{is} (%)	N	[kW]	[m³/h]	[Pa]	[rpm]	VSD
A	S	1,00	-	47,1%	49,3	4,427	9634	779	941	NOT NECESSARY

CBX CBXC CBXR CBXT



CBX: Belt-driven double-inlet centrifugal fans with shaft outlet on both sides and forward-curved impeller.

CBXC: Belt-driven double-inlet centrifugal fans with an extremely rigid cube-like structure to reinforce the casing.

CBXR: Belt-driven double-inlet centrifugal fans with a reinforced structure and rigid bridge bearings resting on the structure.

CBXT: Belt-driven double-inlet centrifugal fans fitted with electric motors, pulleys, belts, protectors and forward-curved impellers.



CBX



CBXC



CBXR



CBXT

Fan:

- Galvanised sheet steel casing.
- Forward-curved impeller made of galvanised sheet steel.
- CBX and CBXC: Bearings resting on rubber shock absorbers to prevent vibrations.
- CBX: Supplied with PSB support feet.

- Maximum temperature of air to be carried: CBX, CBXC and CBXT: -20 °C +80 °C CBXR: -20 °C +110 °C.

Finish:

- Anti-corrosive finish on galvanised sheet steel.

On request:

- CBX: The motor support and SM belt tensioner can be supplied.

Motor:

- IE3 efficiency motors for powers equal to or greater than 0.75 kW except single-phase, 2-speed and 8-pole.
- Free shaft with permanently-greased ball bearings on both sides.

Order code

CBXC — 12/12



CBX: Double-inlet centrifugal fans with free shaft outlets.

Impeller size in inches

CBXC: Double-inlet centrifugal fans with a cube-like structure.

CBXR: Double-inlet centrifugal fans with a reinforced structure.

CBXT — 12/12 — 1.5



CBXT: Double inlet, belt-driven centrifugal fans fitted with electric motors.

Impeller size in inches

Motor power (HP)

Technical characteristics

	Equivalence inches	Max. speed (r/min)	Max. installed power (kW)	Maximum flow rate (m³/h)	Air temperature (°C) min./max.		Approx. weight (kg)	According to ErP
CBX-1919	7/7	2500	1.10	3650	-20	+80	5.0	2015
CBX-2525	9/9	1800	1.50	5700	-20	+80	9.0	2015
CBX-2828	10/10	1700	1.50	6500	-20	+80	10.5	2015
CBX-3333	12/12	1400	1.50	8050	-20	+80	15.5	2015
CBX-3939	15/15	1000	1.50	11000	-20	+80	24.0	2015
CBX-4747	18/18	700	1.50	14500	-20	+80	33.5	2015

	Max. speed (r/min)	Max. installed power (kW)	Maximum flow rate (m³/h)	Air temperature (°C) min./max.		Approx. weight (kg)	According to ErP
CBXC-7/7	2500	1.10	3650	-20	+80	6.0	2015
CBXC-9/9	2100	1.50	5700	-20	+80	11.5	2015
CBXC-10/10	1700	1.50	6500	-20	+80	13.5	2015
CBXC-12/12	1400	2.20	9150	-20	+80	18.5	2015
CBXC-15/15	1100	3.00	13650	-20	+80	27.5	2015
CBXC-18/18	900	3.00	19050	-20	+80	38.5	2015

	Max. speed (r/min)	Max. installed power (kW)	Maximum flow rate (m³/h)	Air temperature (°C) min./max.		Approx. weight (kg)	According to ErP
CBXR-15/15	1200	5.50	16850	-20	+80	28.5	2015
CBXR-18/18	1000	7.50	26000	-20	+80	40.0	2015
CBXR-20/20	1000	9.00	29000	-20	+110	84.0	2015
CBXR-22/22	900	13.00	36000	-20	+110	94.0	2015
CBXR-25/25	700	13.00	48000	-20	+110	113.0	2015
CBXR-30/28	600	15.00	62000	-20	+110	145.0	2015

	Speed (r/min)	Maximum admissible current (A)			Installed power (kW)	Maximum flow rate (m³/h)	Air temperature (°C) min./max.		Approx. weight (kg)	Mounting version	According to ErP
		230 V	400 V	690 V							
CBXT-7/7-0.5	1420	2.02	1.17	0.37	1250	-20	+80	39.0	A	2015	
CBXT-7/7-0.75	1600	2.92	1.69	0.55	1450	-20	+80	41.0	A	2015	
CBXT-7/7-1 IE3	1790	3.10	1.79	0.75	1500	-20	+80	42.5	A	2015	
CBXT-9/9-0.25	825	1.23	0.71	0.18	1700	-20	+80	48.0	A	2015	
CBXT-9/9-0.33	920	1.66	0.96	0.25	1800	-20	+80	50.0	A	2015	
CBXT-9/9-0.5	1020	2.02	1.17	0.37	2200	-20	+80	51.5	A	2015	
CBXT-9/9-0.75	1050	2.92	1.69	0.55	2900	-20	+80	54.5	A	2015	
CBXT-9/9-1 IE3	1070	3.10	1.79	0.75	3200	-20	+80	56.0	A	2015	
CBXT-9/9-1.5 IE3	1260	4.03	2.32	1.10	3750	-20	+80	59.0	A	2015	
CBXT-10/10-0.75	845	2.92	1.69	0.55	3800	-20	+80	57.0	A	2015	
CBXT-10/10-1 IE3	960	3.10	1.79	0.75	4175	-20	+80	58.5	A	2015	
CBXT-10/10-1.5 IE3	1070	4.03	2.32	1.10	4800	-20	+80	61.3	A	2015	
CBXT-10/10-2 IE3	1140	5.96	3.44	1.50	5400	-20	+80	64.6	A	2015	
CBXT-12/12-0.5	595	2.02	1.17	0.37	4200	-20	+80	69.0	A	2015	
CBXT-12/12-0.75	675	2.92	1.69	0.55	4800	-20	+80	71.0	A	2015	
CBXT-12/12-1 IE3	765	3.10	1.79	0.75	5400	-20	+80	72.4	A	2015	
CBXT-12/12-1.5 IE3	855	4.03	2.32	1.10	5800	-20	+80	75.3	A	2015	
CBXT-12/12-2 IE3	965	5.96	3.44	1.50	6500	-20	+80	78.6	A	2015	
CBXT-12/12-3 IE3	1180	8.36	4.83	2.20	7400	-20	+80	87.0	B	2015	
CBXT-15/15-0.75	525	2.92	1.69	0.55	5900	-20	+80	85.0	B	2015	
CBXT-15/15-1 IE3	595	3.10	1.79	0.75	6500	-20	+80	86.4	B	2015	
CBXT-15/15-1.5 IE3	635	4.03	2.32	1.10	7500	-20	+80	89.3	B	2015	
CBXT-15/15-2 IE3	670	5.96	3.44	1.50	8200	-20	+80	92.6	B	2015	
CBXT-15/15-3 IE3	740	8.36	4.83	2.20	9500	-20	+80	101.0	B	2015	
CBXT-15/15-4 IE3	805	10.96	6.33	3.00	10600	-20	+80	103.0	B	2015	
CBXT-15/15-5.5 IE3	965	14.10	8.12	4.00	12000	-20	+80	108.0	B	2015	
CBXT-18/18-1.5 IE3	480	4.03	2.32	1.10	9000	-20	+80	122.0	B	2015	
CBXT-18/18-2 IE3	605	5.96	3.44	1.50	9250	-20	+80	125.3	B	2015	
CBXT-18/18-3 IE3	590	8.36	4.83	2.20	11500	-20	+80	133.7	B	2015	
CBXT-18/18-4 IE3	640	10.96	6.33	3.00	13200	-20	+80	135.7	B	2015	

Technical characteristics

	Speed (r/min)	Maximum admissible current (A)			Installed power (kW)	Maximum flow rate (m³/h)	Air temperature (°C)		Approx. weight (kg)	Mounting version	According to ErP
		230 V	400 V	690 V			min./max.				
CBXT-18/18-5.5 IE3	675	14.10	8.12		4.00	15000	-20	+80	141.0	B	2015
CBXT-18/18-7.5 IE3	760		11.60	6.72	5.50	17000	-20	+80	154.5	B	2015
CBXT-20/20-2 IE3	430	5.96	3.44		1.50	11500	-20	+80	222.0	B	2015
CBXT-20/20-3 IE3	530	8.36	4.83		2.20	12800	-20	+80	230.5	B	2015
CBXT-20/20-4 IE3	575	10.96	6.33		3.00	14200	-20	+80	232.5	B	2015
CBXT-20/20-5.5 IE3	635	14.10	8.12		4.00	15500	-20	+80	237.5	B	2015
CBXT-20/20-7.5 IE3	675		11.60	6.72	5.50	17500	-20	+80	251.5	B	2015
CBXT-20/20-10 IE3	725		14.20	8.20	7.50	20000	-20	+80	266.5	B	2015
CBXT-22/22-2 IE3	385	5.96	3.44		1.50	14000	-20	+80	250.0	B	2015
CBXT-22/22-3 IE3	475	8.36	4.83		2.20	15000	-20	+80	257.0	B	2015
CBXT-22/22-4 IE3	515	10.96	6.33		3.00	17000	-20	+80	261.0	B	2015
CBXT-22/22-5.5 IE3	570	14.10	8.12		4.00	19000	-20	+80	265.0	B	2015
CBXT-22/22-7.5 IE3	605		11.60	6.72	5.50	21500	-20	+80	279.0	B	2015
CBXT-22/22-10 IE3	725		14.20	8.20	7.50	22000	-20	+80	290.0	B	2015
CBXT-22/22-15 IE3	765		20.20	11.60	11.00	27000	-20	+80	316.0	B	2015
CBXT-25/25-3 IE3	375	8.36	4.83		2.20	17000	-20	+80	297.0	B	2015
CBXT-25/25-4 IE3	405	10.96	6.33		3.00	20500	-20	+80	299.0	B	2015
CBXT-25/25-5.5 IE3	450	14.10	8.12		4.00	22000	-20	+80	304.0	B	2015
CBXT-25/25-7.5 IE3	485		11.60	6.72	5.50	24500	-20	+80	318.0	B	2015
CBXT-25/25-10 IE3	545		14.20	8.20	7.50	28000	-20	+80	329.0	B	2015
CBXT-25/25-15 IE3	610		20.20	11.60	11.00	32000	-20	+80	349.0	B	2015
CBXT-30/28-3 IE3	330	8.36	4.83		2.20	20000	-20	+80	380.0	B	2015
CBXT-30/28-4 IE3	360	10.96	6.33		3.00	22000	-20	+80	382.0	B	2015
CBXT-30/28-5.5 IE3	380	14.10	8.12		4.00	25000	-20	+80	387.0	B	2015
CBXT-30/28-7.5 IE3	380		11.60	6.72	5.50	31500	-20	+80	402.0	B	2015
CBXT-30/28-10 IE3	410		14.20	8.20	7.50	36000	-20	+80	415.0	B	2015
CBXT-30/28-15 IE3	430		20.20	11.60	11.00	42000	-20	+80	426.0	B	2015
CBXT-30/28-20 IE3	480		27.50	15.90	15.00	48000	-20	+80	449.0	B	2015

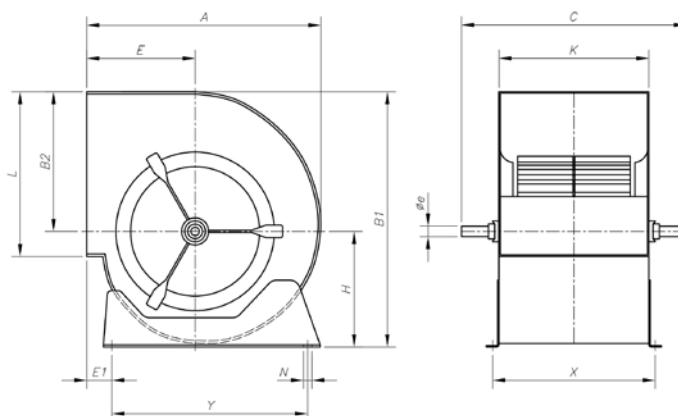


Erp. (Energy Related Products)

Information on Directive 2009/125/EC can be downloaded from the SODECA website or the QuickFan selector programme.

Dimensions mm

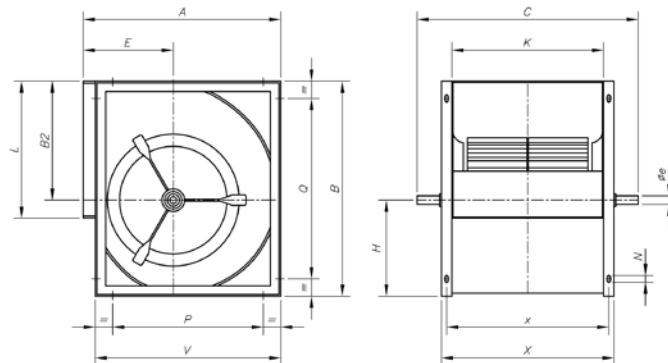
CBX
Standard
supply RD 90



	Equiv. inch.	A	B1	B2	C	E	E1	H	K	L	N	øe	X	Y
CBX-1919	7/7	316	333	189	360	152	64	144	230	208	9x13	20	258	225
CBX-2525	9/9	380	400	218	430	183	78	182	300	263	9x13	20	328	275
CBX-2828	10/10	422	450	246	470	202	73	204	326	292	9x17	20	355	315
CBX-3333	12/12	493	526	290	560	230	82	236	387	345	9x17	25	415	390
CBX-3939	15/15	579	621	348	650	265	92	273	473	404	9x17	25	500	455
CBX-4747	18/18	686	746	415	750	323	82	331	540	482	9x17	25	568	575

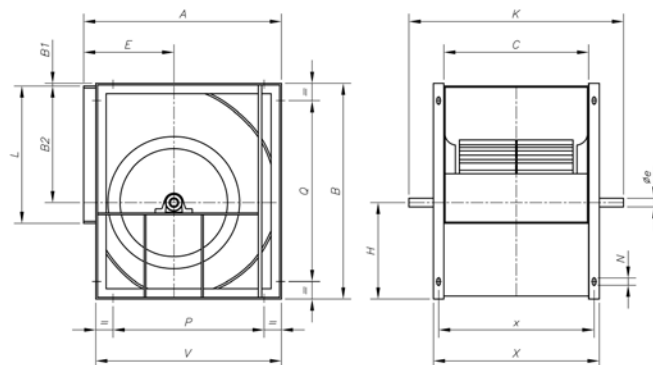
Dimensions mm

CBXC Standard supply RD 90



	A	B	B2	C	E	øe	H	K	L	N	P	Q	V	X	x
CBXC-7/7	322	342	189	360	152	20	153	230	208	9x17	148	175	292	290	262
CBXC-9/9	388	402	218	430	183	20	184	300	263	9x17	214	214	358	360	332
CBXC-10/10	428	450	246	470	202	20	204	326	292	9x17	254	254	398	386	358
CBXC-12/12	498	532	290	560	230	25	242	387	345	9x17	324	324	468	447	419
CBXC-15/15	583	632	348	650	265	25	284	473	404	9x17	406	406	553	533	505
CBXC-18/18	694	756	415	750	323	25	341	540	482	9x17	520	608	664	600	572

CBXR Standard supply RD 90

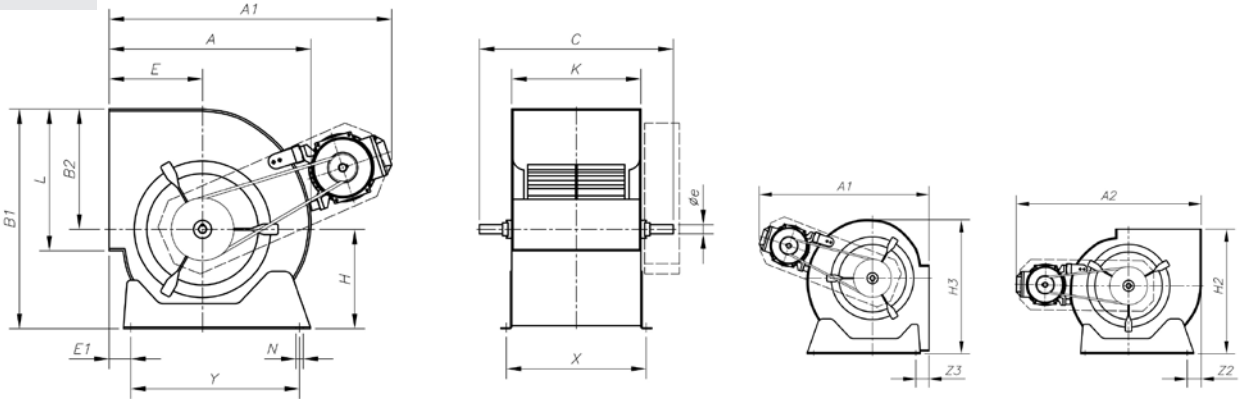


	A	B	B1	B2	C	E	øe	H	K	L	N	P	Q	V	X	x
CBXR-15/15	583	632	-	348	473	265	25	284	730	404	9x17	406	406	553	533	505
CBXR-18/18	694	756	-	415	540	323	25	341	800	482	9x17	520	608	664	600	572
CBXR-20/20	843	963	35	523	603	375	35	405	923	603	13x25	646	811	798	683	643
CBXR-22/22	913	1046	35	569	656	400	35	442	976	693	13x25	716	894	868	736	696
CBXR-25/25	998	1161	35	642	765	423	35	484	1085	793	13x25	801	1009	953	845	805
CBXR-30/28	1206	1400	35	776	888	515	40	589	1208	933	13x25	1009	1248	1161	968	928

CENTRIFUGAL FANS AND IN-LINE DUCT EXTRACTOR FANS

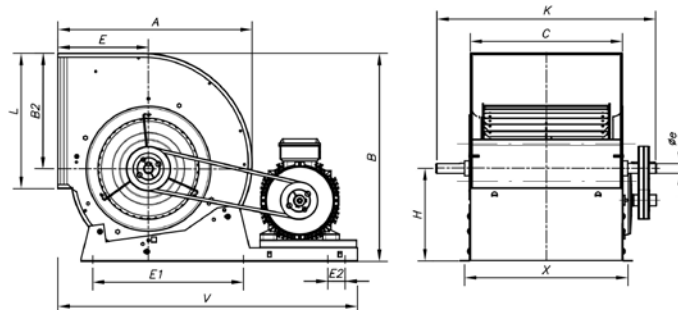
Dimensions mm

**CBXT
Assembly A
Standard
supply RD 90**



	A	A1	A2	B1	B2	C	E	E1	øe	H	H2	H3	K	L	N	X	Y	Z2	Z3
CBXT-7/7-0.5	316	450	495	333	189	360	152	64	20	144	320	341	230	208	9x13	258	225	44	36
CBXT-7/7-0.75	316	470	515	333	189	360	152	64	20	144	320	341	230	208	9x13	258	225	44	36
CBXT-7/7-1	316	470	515	333	189	360	152	64	20	144	320	341	230	208	9x13	258	225	44	36
CBXT-9/9-0.25	380	490	535	400	218	430	183	78	20	182	385	395	300	263	9x13	328	275	50	57
CBXT-9/9-0.33	380	520	565	400	218	430	183	78	20	182	385	395	300	263	9x13	328	275	50	57
CBXT-9/9-0.5	380	520	565	400	218	430	183	78	20	182	385	395	300	263	9x13	328	275	50	57
CBXT-9/9-0.75	380	540	585	400	218	430	183	78	20	182	385	395	300	263	9x13	328	275	50	57
CBXT-9/9-1	380	540	585	400	218	430	183	78	20	182	385	395	300	263	9x13	328	275	50	57
CBXT-9/9-1.5	380	590	605	400	218	430	183	78	20	182	385	395	300	263	9x13	328	275	50	57
CBXT-10/10-0.75	422	590	635	450	246	470	202	73	20	204	443	470	326	292	9x17	355	315	50	50
CBXT-10/10-1	422	590	635	450	246	470	202	73	20	204	443	470	326	292	9x17	355	315	50	50
CBXT-10/10-1.5	422	610	655	450	246	470	202	73	20	204	443	470	326	292	9x17	355	315	50	50
CBXT-10/10-2	422	610	655	450	246	470	202	73	20	204	443	470	326	292	9x17	355	315	50	50
CBXT-12/12-0.5	493	645	690	526	290	560	230	82	25	236	498	555	387	345	9x17	415	390	35	70
CBXT-12/12-0.75	493	665	710	526	290	560	230	82	25	236	498	555	387	345	9x17	415	390	35	70
CBXT-12/12-1	493	665	710	526	290	560	230	82	25	236	498	555	387	345	9x17	415	390	35	70
CBXT-12/12-1.5	493	680	725	526	290	560	230	82	25	236	498	555	387	345	9x17	415	390	35	70
CBXT-12/12-2	493	680	725	526	290	560	230	82	25	236	498	555	387	345	9x17	415	390	35	70

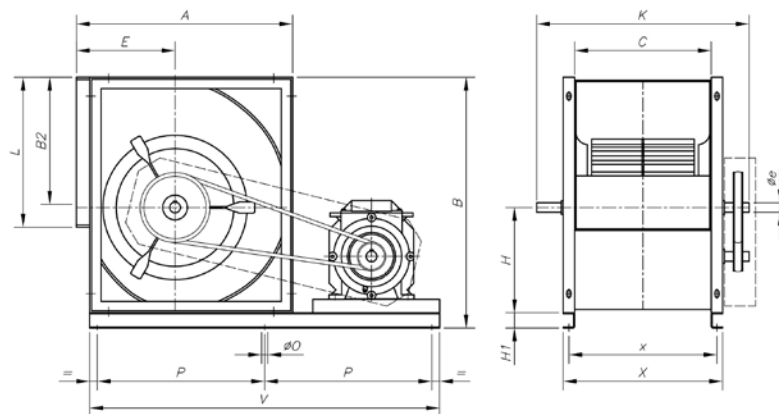
**CBXT
Assembly B
Standard
supply RD 90**



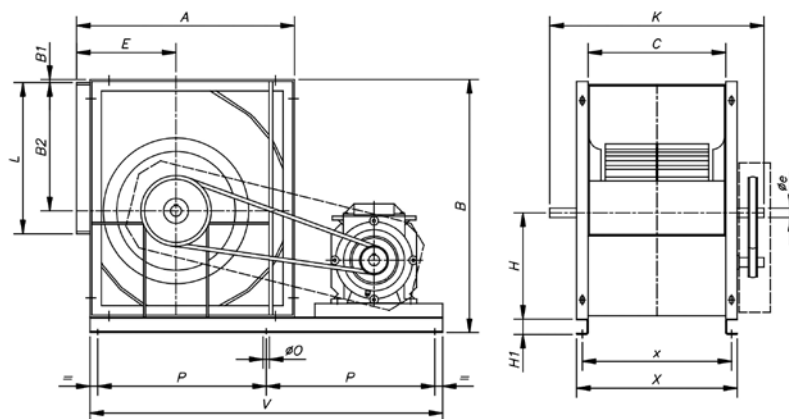
	A	B	B2	C	E	E1	E2	Øe	H	K	L	V	X
CBXT 12/12-3	493.5	527.4	292.9	387	230	390	63	21	234.9	560	343	761	416

Dimensions mm

CBXT
Assembly B
Standard
supply RD 90



	A	B	B2	C	E	øe	H	H1	K	L	øO	P	V	x	X
CBXT-15/15 (0.75CV...4CV)	583	672	348	473	265	25	284	40	650	404	12	415.5	895	505	533
CBXT-18/18 (1.5CV...4CV)	694	796	415	540	323	25	341	40	750	482	12	515.5	1115	572	600



	A	B	B1	B2	C	E	øe	H	H1	K	L	øO	P	V	x	X
CBXT-15/15 (≥ 5.5 CV)	583	672	-	348	473	265	25	284	40	730	404	12	415.5	895	505	533
CBXT-18/18 (≥ 5.5 CV)	694	796	-	415	540	323	25	341	40	800	482	12	515.5	1115	572	600
CBXT-20/20	843	1023	35	523	603	375	35	405	60	923	603	12	617.5	1315	643	683
CBXT-22/22	913	1106	35	569	656	400	35	442	60	976	693	12	657.5	1395	696	736
CBXT-25/25	998	1221	35	642	765	423	35	484	60	1085	793	12	474.5	1575	805	845
CBXT-30/28	1206	1460	35	776	888	515	40	589	60	1208	933	12	817.5	1715	928	968

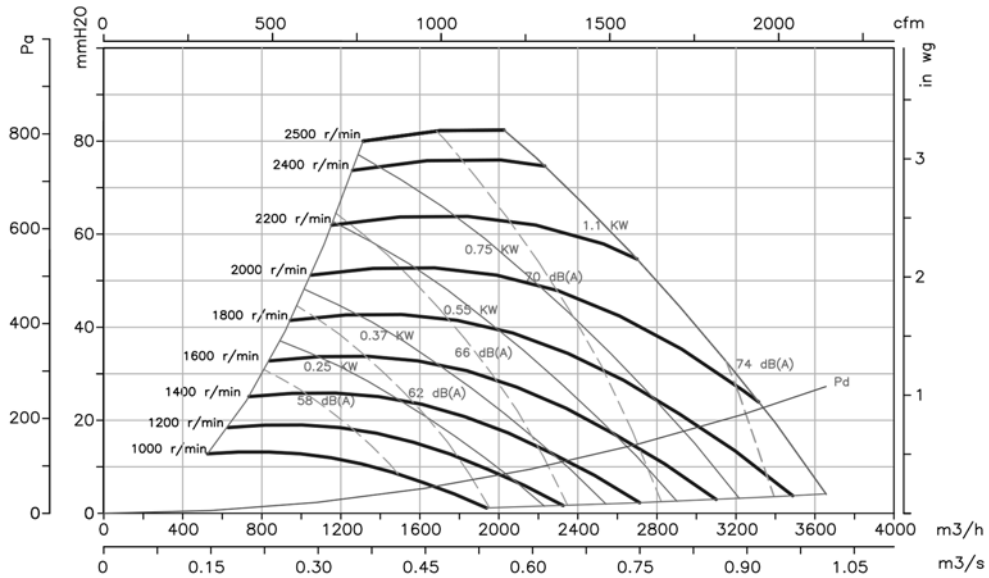
CENTRIFUGAL FANS AND IN-LINE DUCT EXTRACTOR FANS

Characteristic curves

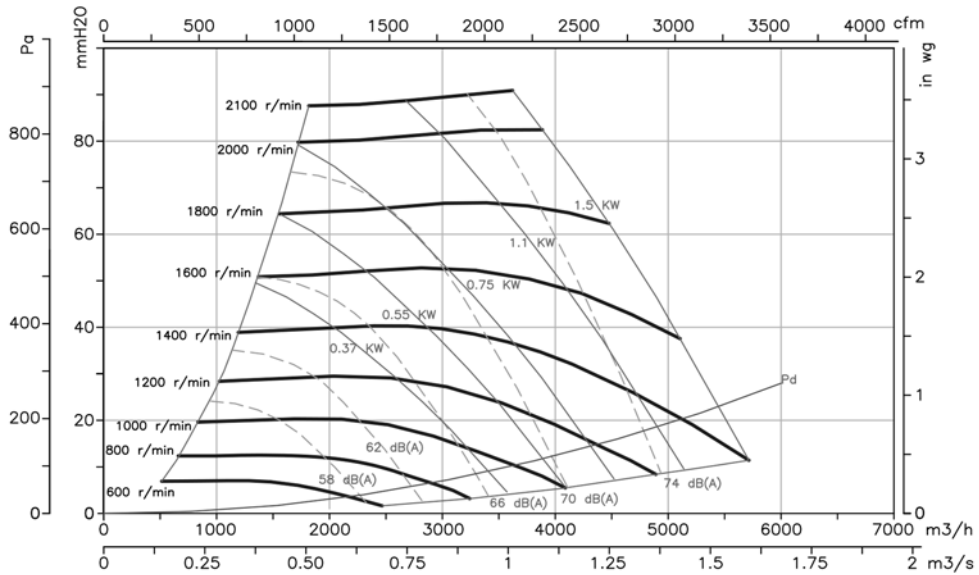
Q= Flow rate in m³/h, m³/s and cfm

Pe= Static pressure in mm H₂O, Pa and inwg

7/7 (1919)



9/9 (2525)

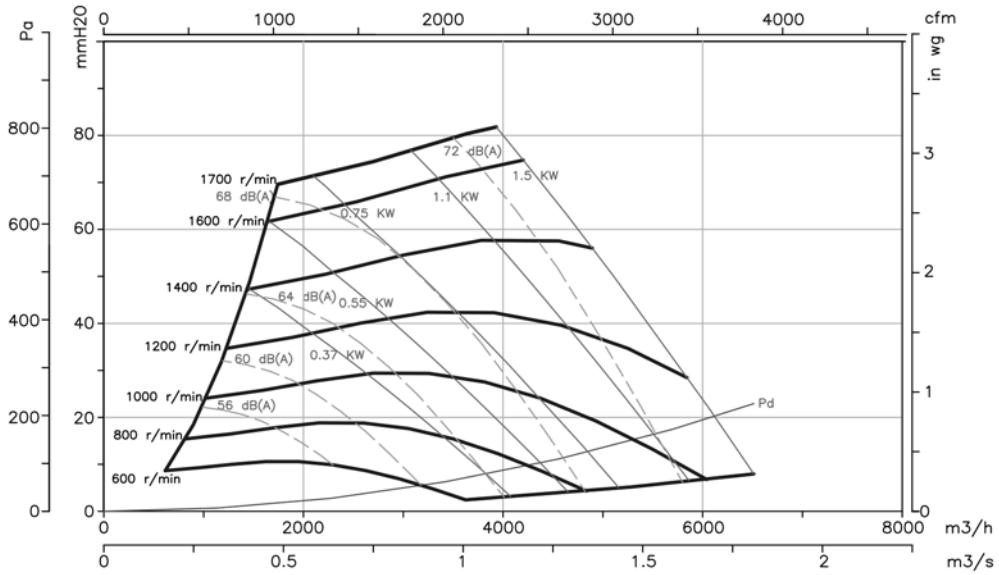


Characteristic curves

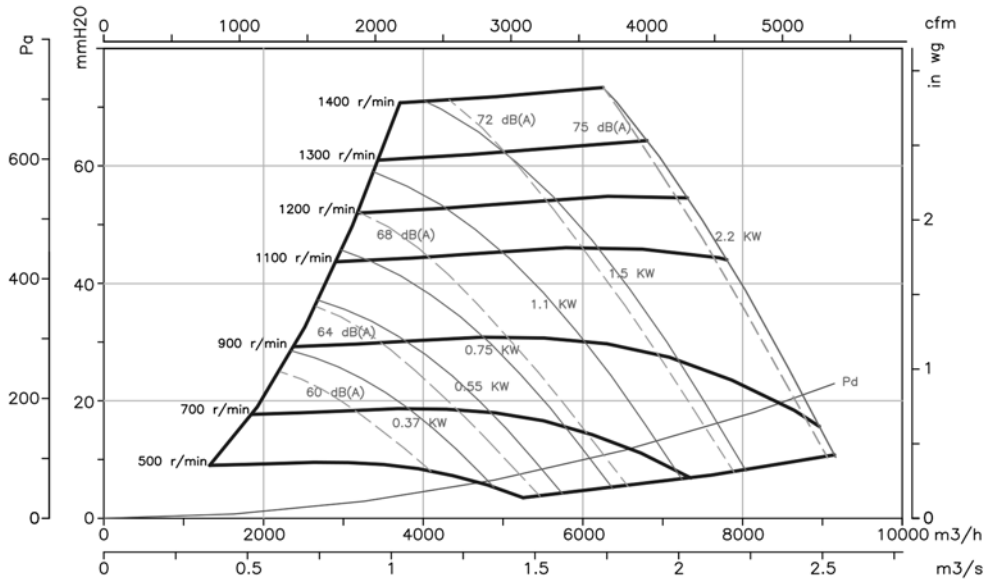
Q= Flow rate in m³/h, m³/s and cfm

Pe= Static pressure in mm H₂O, Pa and inwg

10/10 (2828)



12/12 (3333)



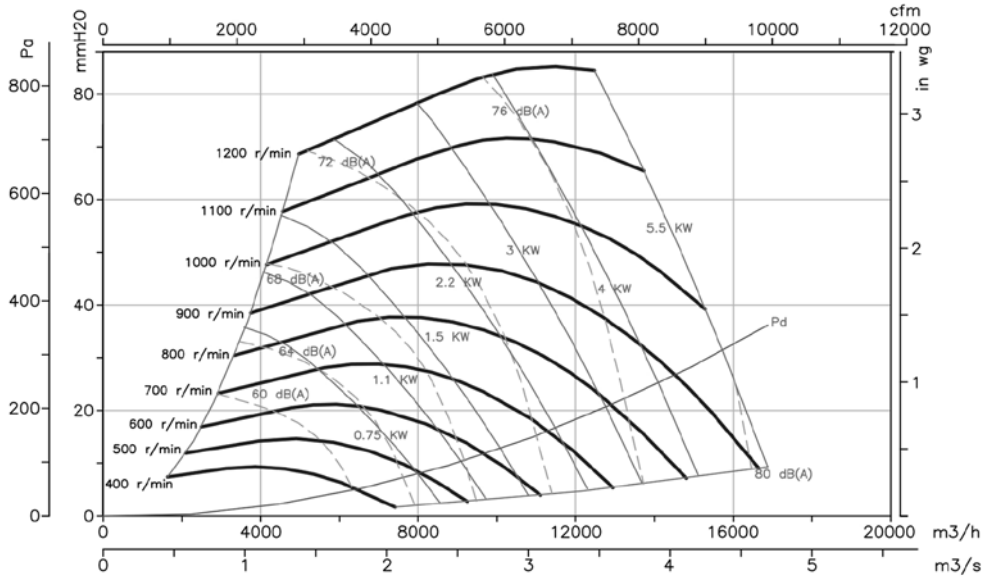
CENTRIFUGAL FANS AND IN-LINE DUCT EXTRACTOR FANS

Characteristic curves

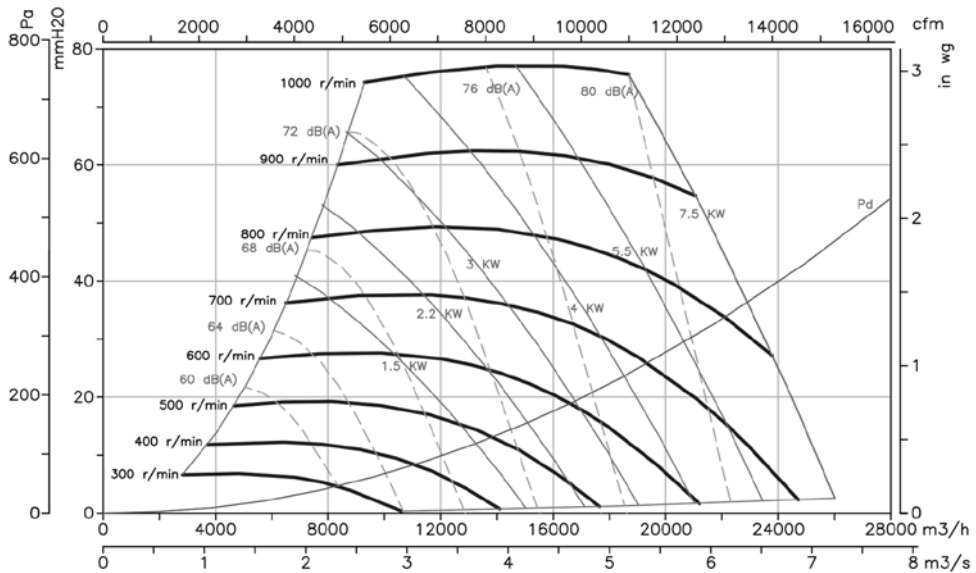
Q= Flow rate in m³/h, m³/s and cfm

Pe= Static pressure in mm H₂O, Pa and inwg

15/15 (3939)



18/18 (4747)

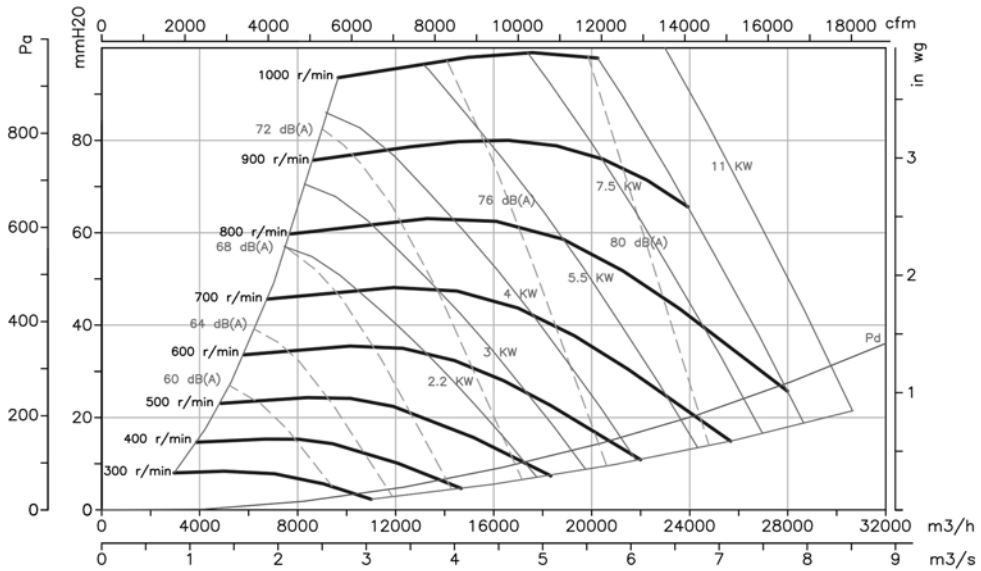


Characteristic curves

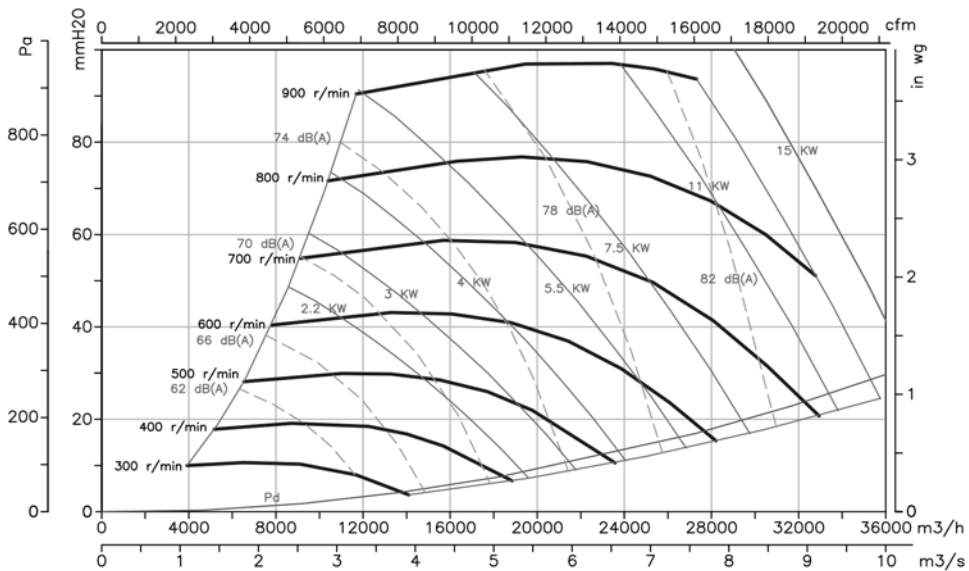
Q= Flow rate in m³/h, m³/s and cfm

Pe= Static pressure in mm H₂O, Pa and inwg

20/20



22/22



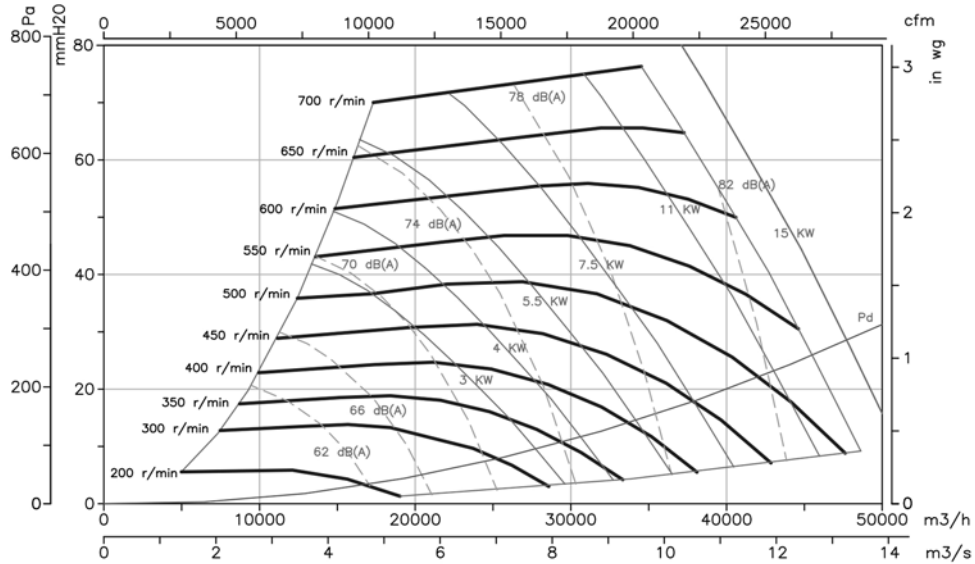
CENTRIFUGAL FANS AND IN-LINE DUCT EXTRACTOR FANS

Characteristic curves

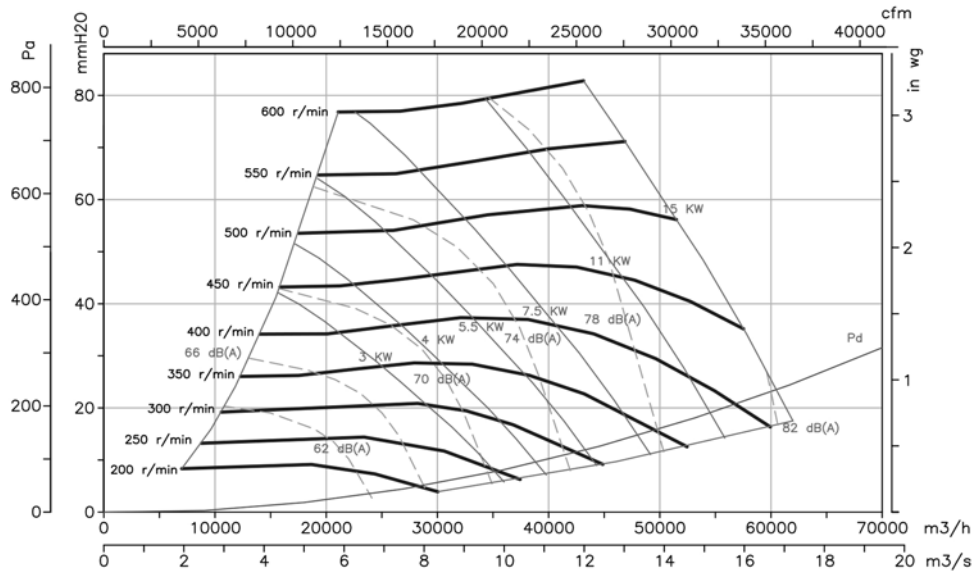
Q= Flow rate in m³/h, m³/s and cfm

Pe= Static pressure in mm H₂O, Pa and inwg

25/25



30/28



Accessories

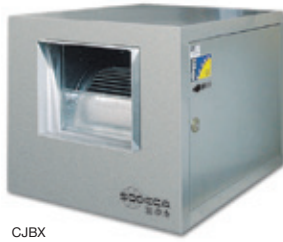
See accessories section.



CJBX CJBX/AL



CJBX: Belt-driven acoustically-insulated ventilation units.
CJBX/AL: Belt-driven ventilation units with aluminium profiles and prefinished sheet steel and acoustic insulation.



CJBX



CJBX/AL



High quality, extremely robust impeller, dynamically balanced in accordance with ISO 21940-11

Options



CJBX/F



CJBX/ALS



CJBX/ALF

Fan:

- Ventilation units fitted with double-inlet fans from the CBX, CBXC and CBXR series.
- Galvanised sheet steel structure with thermal and acoustic insulation.
- CJBX/AL, CJBX/ALS and CJBX/ALF: Aluminium profiles structure with thermal and acoustic insulation.
- Forward-curved impeller made of galvanised sheet steel.
- Cable gland for cable inlet.

Motor:

- IE3 efficiency motors for powers equal to or greater than 0.75 kW except single-phase, 2-speed and 8-pole.
- Class F motors with ball bearings and IP55 protection.
- Three-phase 230/400 V-50 Hz (up to 4 kW) and 400/690 V-50 Hz (powers higher than 4 kW).
- Maximum temperature of air to be carried: -20 °C + 60 °C.

Finish:

- Anti-corrosive finish on galvanised sheet steel.
- CJBX/AL, CJBX/ALS and CJBX/ALF: Anti-corrosive finish on pre-varnished sheet steel and aluminium profiles

On request:

- With circular impulsion.

CJBX/AL and CJBX/ALS series accessories:

Air treatment modules:

- MF: Filtration module. Standard F6+F8 version and optional F7+F9.
- ME: Electric coil module. Standard G4 version and optional with F6+F8 or F7+F9 filters.
- MA: Water coil module. Standard G4 version and optional with F6+F8 or F7+F9 filters.

Order code

CJBX — **15/15** — **4**



CJBX: Acoustically insulated ventilation units
 CJBX/AL: Belt-driven ventilation units with aluminium profiles and prefinished sheet steel and acoustic insulation
 CJBX/F: Ventilation units with built-in filter
 CJBX/ALS: Belt-driven ventilation units with double insulated wall, prefinished sheet and aluminium profiles
 CJBX/ALF: Belt-driven ventilation units with prefinished sheet, built-in filter and aluminium profiles



Impeller size in inches



Motor power (HP)

Technical characteristics

Model	Speed (r/min)	Maximum admissible current (A)			Installed power (kW)	Maximum flow rate m ³ /h	Sound pressure level dB(A)	Approx. weight (kg)	Mounting type	According to ErP
		230 V	400 V	690 V						
CJBX CJBX/AL 7/7-0.75	1400	2.92	1.69		0.55	1200	56	41	A	2018
CJBX CJBX/AL 7/7-1 IE3	1600	3.10	1.79		0.75	1450	58	43	A	2018
CJBX CJBX/AL 9/9-0.25	825	1.23	0.71		0.18	1700	45	48	A	2018
CJBX CJBX/AL 9/9-0.33	920	1.66	0.96		0.25	1800	48	50	A	2018

CENTRIFUGAL FANS AND IN-LINE DUCT EXTRACTOR FANS

Technical characteristics

Model	Speed (r/min)	Maximum admissible current (A)			Installed power (kW)	Maximum flow rate m ³ /h	Sound pressure level dB(A)	Approx. weight (kg)	Mounting type	According to ErP
		230 V	400 V	690 V						
CJBX CJBX/AL 9/9-0.5	1020	2.02	1.17		0.37	2200	51	52	A	2018
CJBX CJBX/AL 9/9-0.75	1050	2.92	1.69		0.55	2900	55	55	A	2018
CJBX CJBX/AL 9/9-1 IE3	1070	3.10	1.79		0.75	3200	56	56	A	2018
CJBX CJBX/AL 9/9-1.5 IE3	1260	4.03	2.32		1.10	3750	60	59	A	2018
CJBX CJBX/AL 10/10-0.75	845	2.92	1.69		0.55	3800	56	57	A	2018
CJBX CJBX/AL 10/10-1 IE3	960	3.10	1.79		0.75	4175	58	59	A	2018
CJBX CJBX/AL 10/10-1.5 IE3	1070	4.03	2.32		1.10	4800	61	61	A	2018
CJBX CJBX/AL 10/10-2 IE3	1140	5.96	3.44		1.50	5400	63	65	A	2018
CJBX CJBX/AL 12/12-0.5	595	2.02	1.17		0.37	4200	52	69	A	2018
CJBX CJBX/AL 12/12-0.75	675	2.92	1.69		0.55	4800	54	71	A	2018
CJBX CJBX/AL 12/12-1 IE3	765	3.10	1.79		0.75	5400	57	72	A	2018
CJBX CJBX/AL 12/12-1.5 IE3	855	4.03	2.32		1.10	5800	59	75	A	2018
CJBX CJBX/AL 12/12-2 IE3	965	5.96	3.44		1.50	6500	62	79	A	2018
CJBX CJBX/AL 12/12-3 IE3	1180	8.36	4.83		2.20	7400	65	87	A	2018
CJBX CJBX/AL 15/15-0.75	525	2.92	1.69		0.55	5900	49	85	B	2018
CJBX CJBX/AL 15/15-1 IE3	595	3.10	1.79		0.75	6500	52	86	B	2018
CJBX CJBX/AL 15/15-1.5 IE3	635	4.03	2.32		1.10	7500	54	89	B	2018
CJBX CJBX/AL 15/15-2 IE3	670	5.96	3.44		1.50	8200	56	93	B	2018
CJBX CJBX/AL 15/15-3 IE3	740	8.36	4.83		2.20	9500	59	101	B	2018
CJBX CJBX/AL 15/15-4 IE3	805	10.96	6.33		3.00	10600	61	103	B	2018
CJBX CJBX/AL 18/18-1.5 IE3	480	4.03	2.32		1.10	9000	48	122	B	2018
CJBX CJBX/AL 18/18-2 IE3	605	5.96	3.44		1.50	9250	51	125	B	2018
CJBX CJBX/AL 18/18-3 IE3	590	8.36	4.83		2.20	11500	54	134	B	2018
CJBX CJBX/AL 18/18-4 IE3	640	10.96	6.33		3.00	13200	56	136	B	2018
CJBX CJBX/AL 18/18-5.5 IE3	675	14.10	8.12		4.00	15000	58	141	B	2018
CJBX CJBX/AL 18/18-7.5 IE3	760		11.60	6.72	5.50	17000	60	155	B	2018
CJBX CJBX/AL 20/20-2 IE3	430	5.96	3.44		1.50	11500	56	222	B	2018
CJBX CJBX/AL 20/20-3 IE3	530	8.36	4.83		2.20	12800	57	231	B	2018
CJBX CJBX/AL 20/20-4 IE3	575	10.96	6.33		3.00	14200	58	233	B	2018
CJBX CJBX/AL 20/20-5.5 IE3	635	14.10	8.12		4.00	15500	61	238	B	2018
CJBX CJBX/AL 20/20-7.5 IE3	675		11.60	6.72	5.50	17500	63	252	B	2018
CJBX CJBX/AL 20/20-10 IE3	725		13.90	8.06	7.50	20000	65	283	B	2018
CJBX CJBX/AL 22/22-2 IE3	385	5.96	3.44		1.50	14000	50	250	B	2018
CJBX CJBX/AL 22/22-3 IE3	475	8.36	4.83		2.20	15000	54	257	B	2018
CJBX CJBX/AL 22/22-4 IE3	515	10.96	6.33		3.00	17000	55	261	B	2018
CJBX CJBX/AL 22/22-5.5 IE3	570	14.10	8.12		4.00	19000	57	265	B	2018
CJBX CJBX/AL 22/22-7.5 IE3	605		11.60	6.72	5.50	21500	60	279	B	2018
CJBX CJBX/AL 22/22-10 IE3	675		13.90	8.06	7.50	25000	63	306	B	2018
CJBX CJBX/AL 22/22-15 IE3	765		20.90	12.10	11.00	27000	65	341	B	2018
CJBX CJBX/AL 25/25-3 IE3	375	8.36	4.83		2.20	17000	53	297	B	2018
CJBX CJBX/AL 25/25-4 IE3	405	10.96	6.33		3.00	20500	55	299	B	2018
CJBX CJBX/AL 25/25-5.5 IE3	450	14.10	8.12		4.00	22000	57	304	B	2018
CJBX CJBX/AL 25/25-7.5 IE3	485		11.60	6.72	5.50	24500	59	318	B	2018
CJBX CJBX/AL 25/25-10 IE3	545		13.90	8.06	7.50	28000	61	345	B	2018
CJBX CJBX/AL 25/25-15 IE3	610		20.90	12.10	11.00	32000	64	374	B	2018
CJBX CJBX/AL 30/28-3 IE3	330	8.36	4.83		2.20	20000	54	380	B	2018
CJBX CJBX/AL 30/28-4 IE3	360	10.96	6.33		3.00	22000	56	382	B	2018
CJBX CJBX/AL 30/28-5.5 IE3	380	14.10	8.12		4.00	25000	59	387	B	2018
CJBX CJBX/AL 30/28-7.5 IE3	380		11.60	6.72	5.50	31500	60	402	B	2018
CJBX CJBX/AL 30/28-10 IE3	410		13.90	8.06	7.50	36000	63	431	B	2018
CJBX CJBX/AL 30/28-15 IE3	430		20.90	12.10	11.00	42000	65	451	B	2018
CJBX CJBX/AL 30/28-20 IE3	480		27.90	16.20	15.00	48000	68	466	B	2018

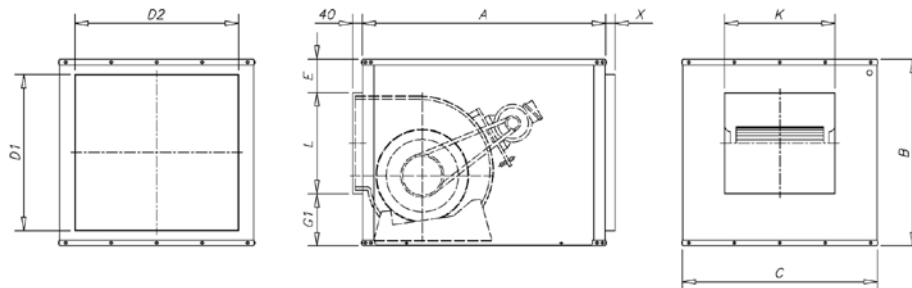


Erp. (Energy Related Products)

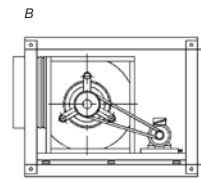
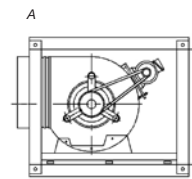
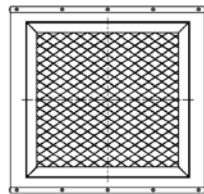
Information on Directive 2009/125/EC can be downloaded from the SODECA website or the QuickFan selector programme.

Dimensions mm

CJBX
Standard supply
Horizontal impulsion
(H) LG 90

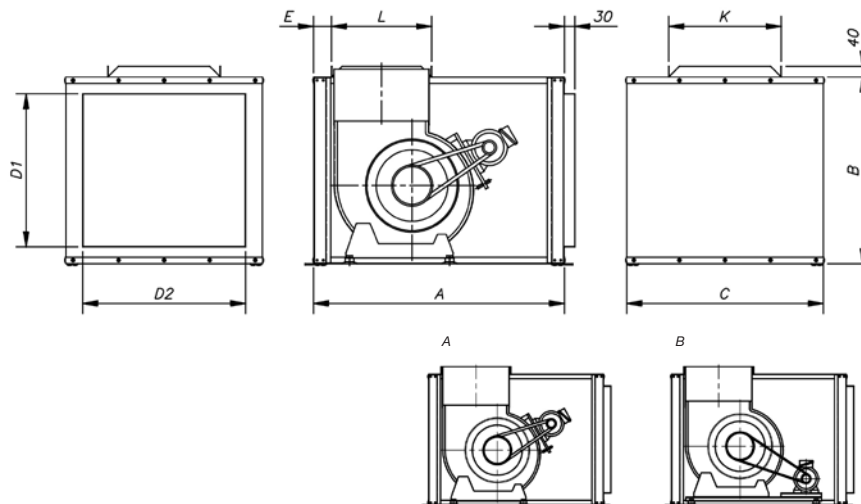


CJBX/F



	A	B	C	D1	D2	E	G1	L	K	X (without filter)	X (with filter)
CJBX-7/7	650	460	500	364	404	107	135	218	240	30	40
CJBX-9/9	700	522	550	426	454	101	151	270	310	30	40
CJBX-10/10	750	575	600	479	504	100	175	300	336	30	40
CJBX-12/12	850	650	700	554	604	84	205	361	404	30	40
CJBX-15/15	1000	755	800	659	704	62	270	423	486	30	40
CJBX-18/18	1200	875	1000	779	904	45	336	494	551	30	40
CJBX-20/20	1400	1175	1100	1079	1004	147	428	600	600	30	40
CJBX-22/22	1460	1250	1250	1154	1154	145	413	692	653	30	40
CJBX-25/25	1550	1375	1450	1279	1354	152	431	792	762	30	40
CJBX-30/28	1800	1600	1650	1504	1554	140	528	932	885	30	40

On request
vertical impulsion
(V) LG 0

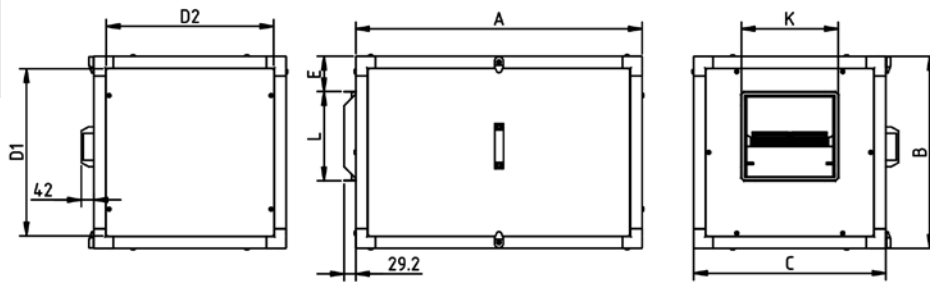


	A	B	C	D1xD2	E	L	K
CJBX-7/7	650	460	500	364x404	30	204	226
CJBX-9/9	700	522	550	426x454	30	256	296
CJBX-10/10	750	575	600	479x504	30	286	322
CJBX-12/12	850	650	700	554x604	30	341	383
CJBX-15/15	1000	755	800	659x704	30	404	471
CJBX-18/18	1200	875	1000	779x904	30	484	537
CJBX-20/20	1445	1175	1100	1079x1004	60	600	600
CJBX-22/22	1580	1250	1250	1154x1154	60	692	653
CJBX-25/25	1675	1375	1450	1279x1354	60	792	762
CJBX-30/28	1935	1600	1650	1504x1554	60	932	885

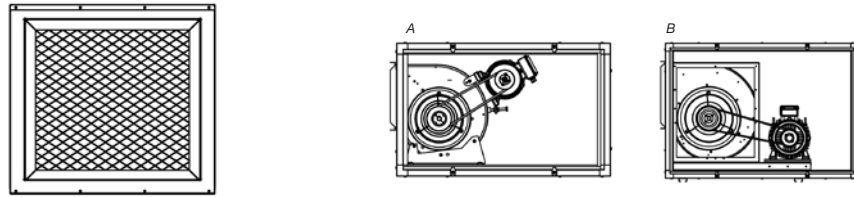
CENTRIFUGAL FANS AND IN-LINE DUCT EXTRACTOR FANS

Dimensions mm

CJBX/AL
Standard supply
Horizontal impulsion
(H) LG 90

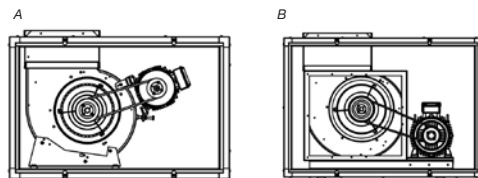
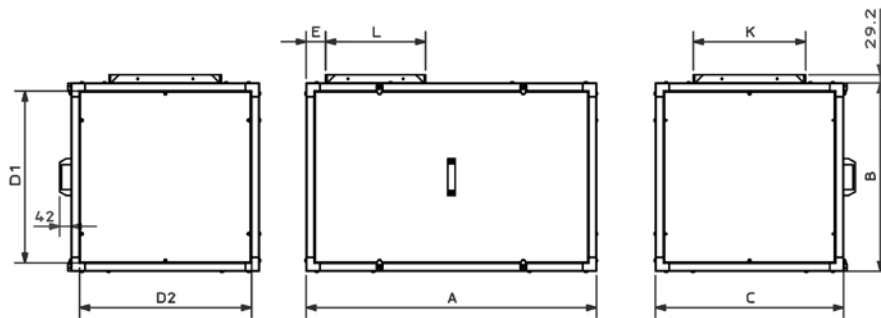


CJBX/ALF



	A	B	C	D1	D2	E	L	K	MOUNTING
CJBX-AL / CJBX-ALS / CJBX-ALF 7/7	830	490	490	428	428	91	226	247	A
CJBX-AL / CJBX-ALS / CJBX-ALF 9/9	920	550	550	488	488	86	279	317	A
CJBX-AL / CJBX-ALS / CJBX-ALF 10/10	970	605	605	543	543	88	306	343	A
CJBX-AL / CJBX-ALS / CJBX-ALF 12/12	1050	680	680	618	618	84	360	404	A
CJBX-AL / CJBX-ALS / CJBX-ALF 15/15	1220	855	855	793	793	119	423	490	B
CJBX-AL / CJBX-ALS / CJBX-ALF 18/18	1356	1000	1000	938	938	137	498	554	B
CJBX-AL / CJBX-ALS / CJBX-ALF 20/20	1500	1195	1195	1115	1115	140	615	615	B
CJBX-AL / CJBX-ALS / CJBX-ALF 22/22	1600	1250	1250	1170	1170	104	705	668	B
CJBX-AL / CJBX-ALS / CJBX-ALF 25/25	1870	1450	1450	1370	1370	200	792	767	B
CJBX-AL / CJBX-ALS / CJBX-ALF 30/28	1975	1670	1670	1590	1590	188	938	896	B

CJBX/AL
On request
vertical impulsion
(V) LG 0

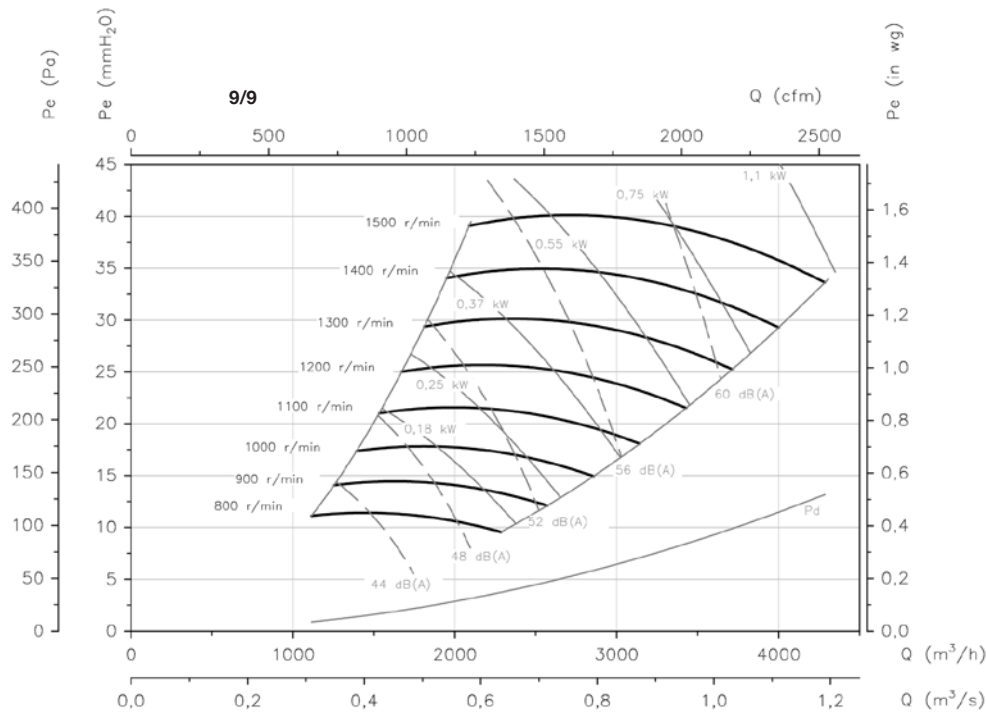
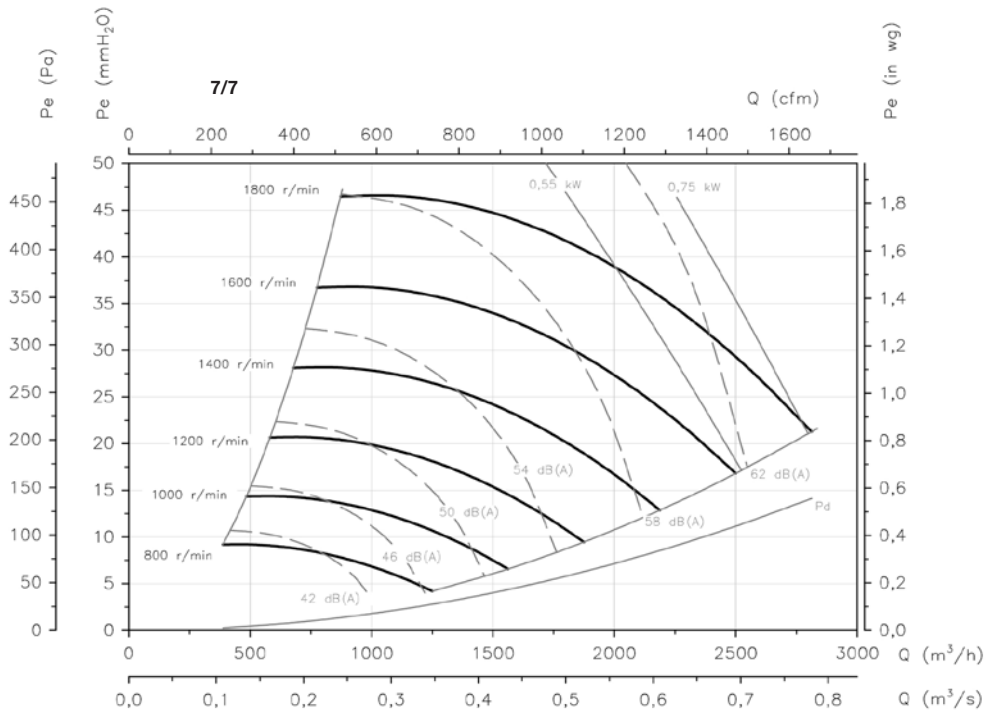


	A	B	C	D1	D2	E	L	K	MOUNTING
CJBX-AL / CJBX-ALS / CJBX-ALF 7/7	830	490	490	428	428	63	226	247	A
CJBX-AL / CJBX-ALS / CJBX-ALF 9/9	920	550	500	488	488	85	279	317	A
CJBX-AL / CJBX-ALS / CJBX-ALF 10/10	970	605	605	543	543	87	306	343	A
CJBX-AL / CJBX-ALS / CJBX-ALF 12/12	1050	680	680	618	618	69	360	404	A
CJBX-AL / CJBX-ALS / CJBX-ALF 15/15	1220	855	855	793	793	115	423	490	B
CJBX-AL / CJBX-ALS / CJBX-ALF 18/18	1356	1000	1000	938	938	80	498	554	B
CJBX-AL / CJBX-ALS / CJBX-ALF 20/20	1500	1195	1195	1115	1115	125	615	615	B
CJBX-AL / CJBX-ALS / CJBX-ALF 22/22	1600	1250	1250	1170	1170	125	705	668	B
CJBX-AL / CJBX-ALS / CJBX-ALF 25/25	1870	1450	1450	1370	1370	85	792	767	B
CJBX-AL / CJBX-ALS / CJBX-ALF 30/28	1975	1670	1670	1590	1590	155	938	896	B

Characteristic curves

Q= Flow rate in m³/h, m³/s and cfm

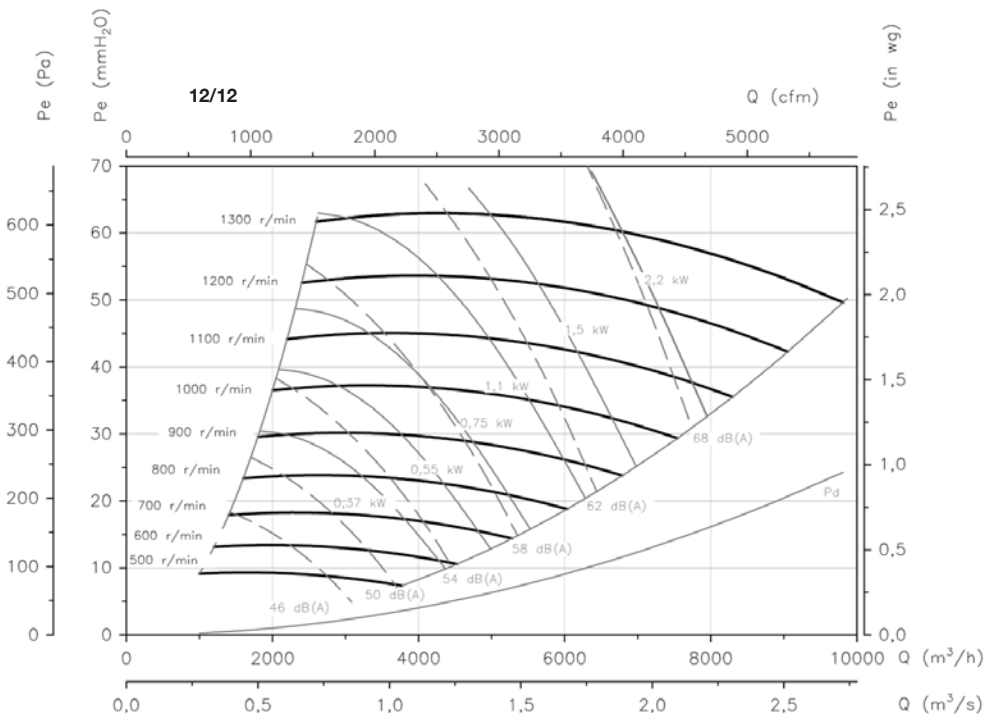
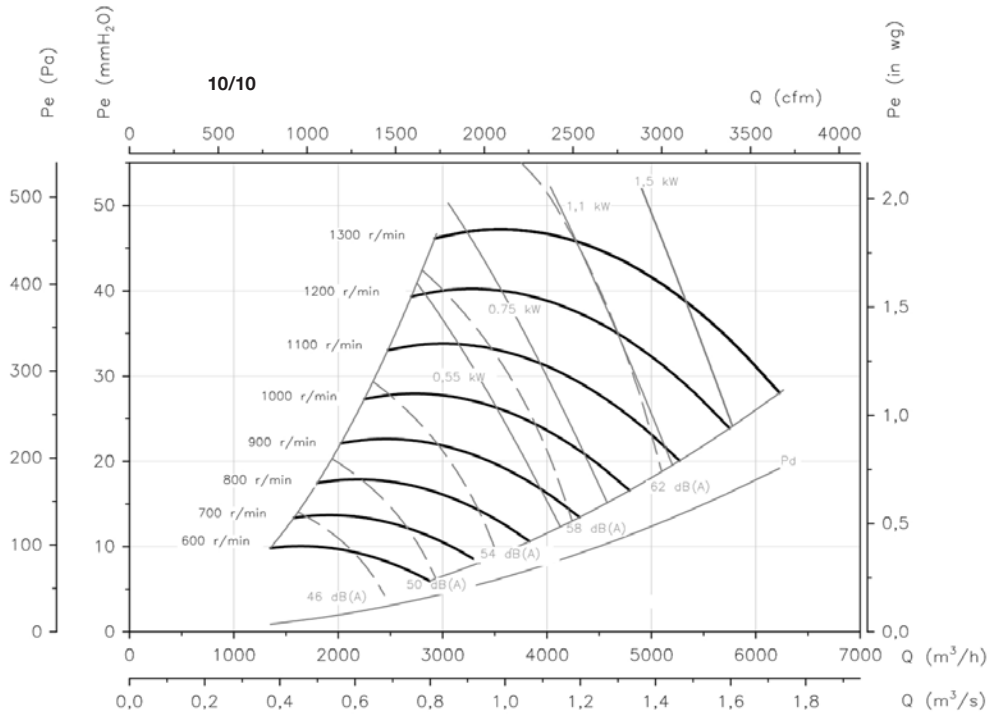
Pe= Static pressure in mm H₂O, Pa and inwg



Characteristic curves

Q= Flow rate in m³/h, m³/s and cfm

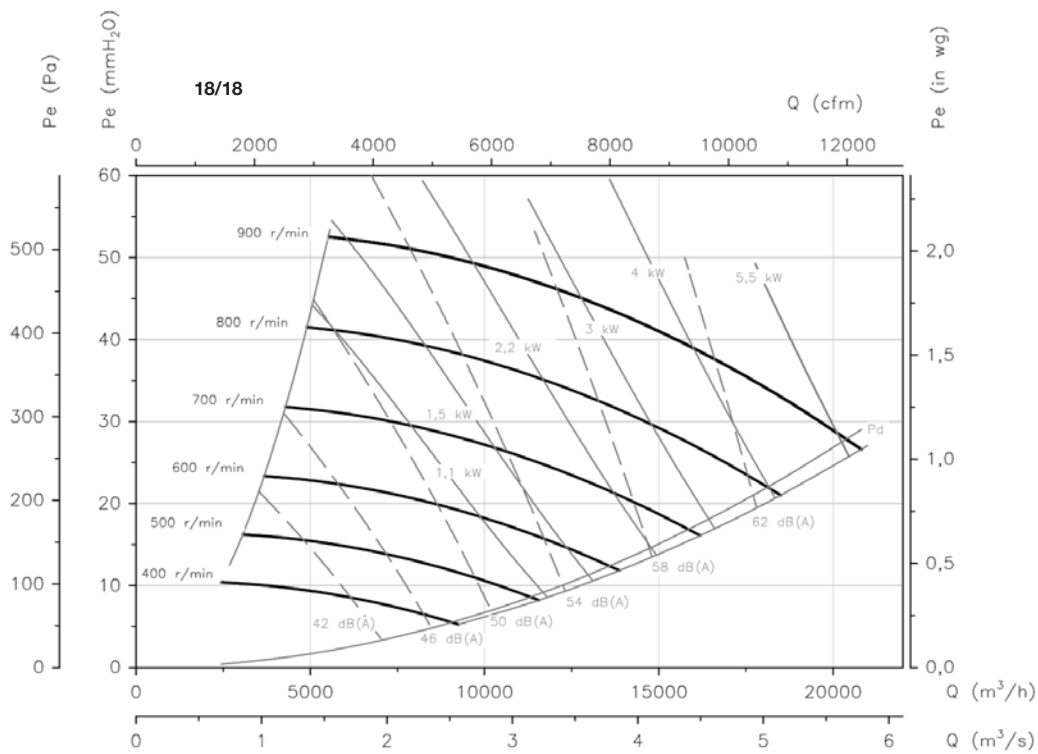
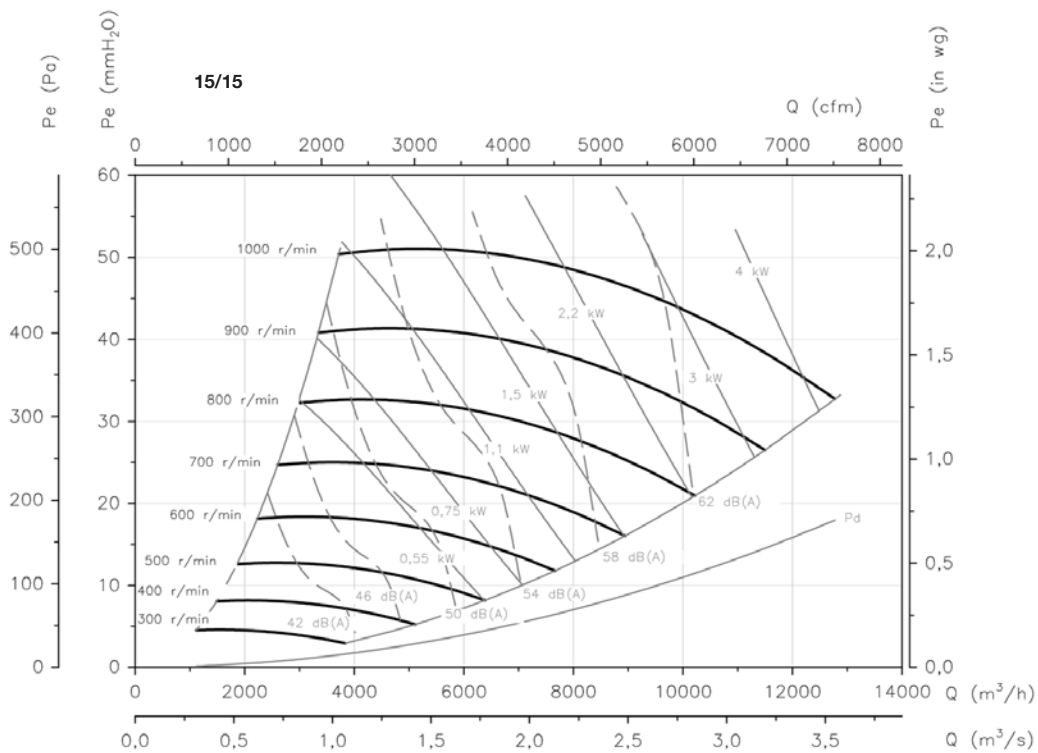
Pe= Static pressure in mm H₂O, Pa and inwg



Characteristic curves

Q= Flow rate in m³/h, m³/s and cfm

Pe= Static pressure in mm H₂O, Pa and inwg

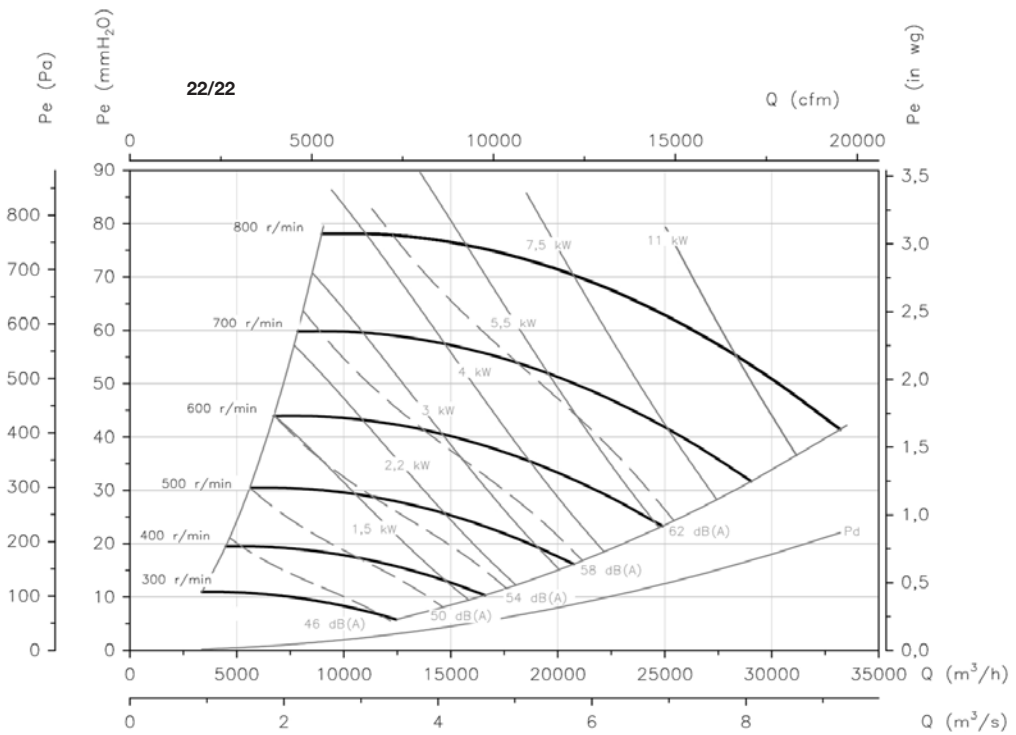
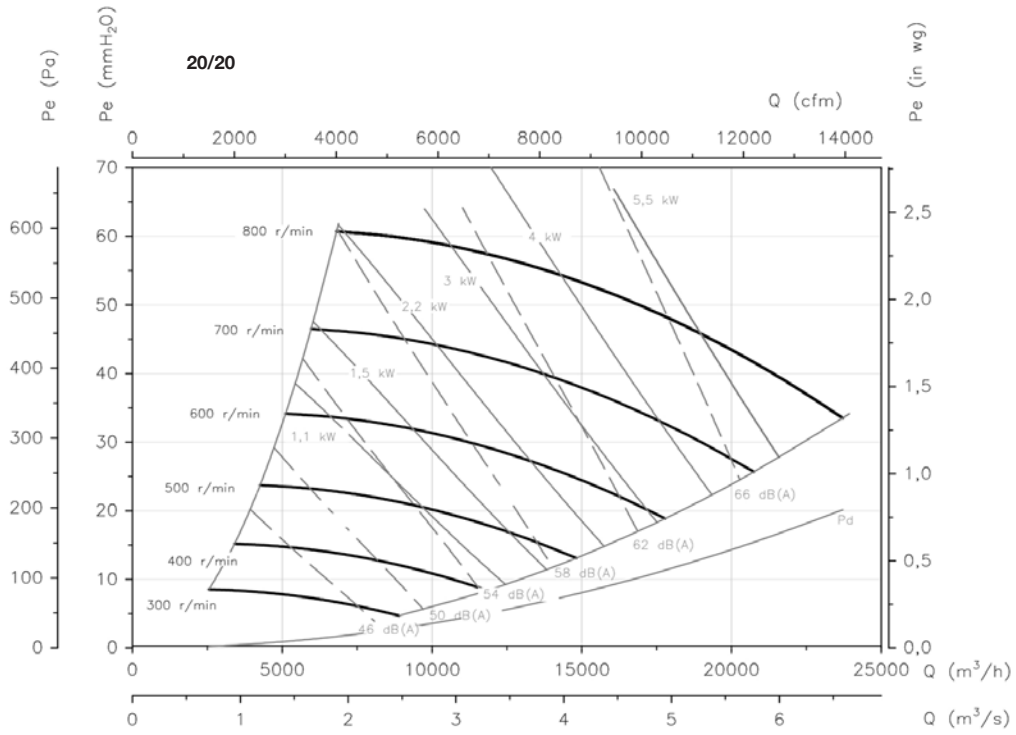


CENTRIFUGAL FANS AND IN-LINE DUCT EXTRACTOR FANS

Characteristic curves

Q= Flow rate in m³/h, m³/s and cfm

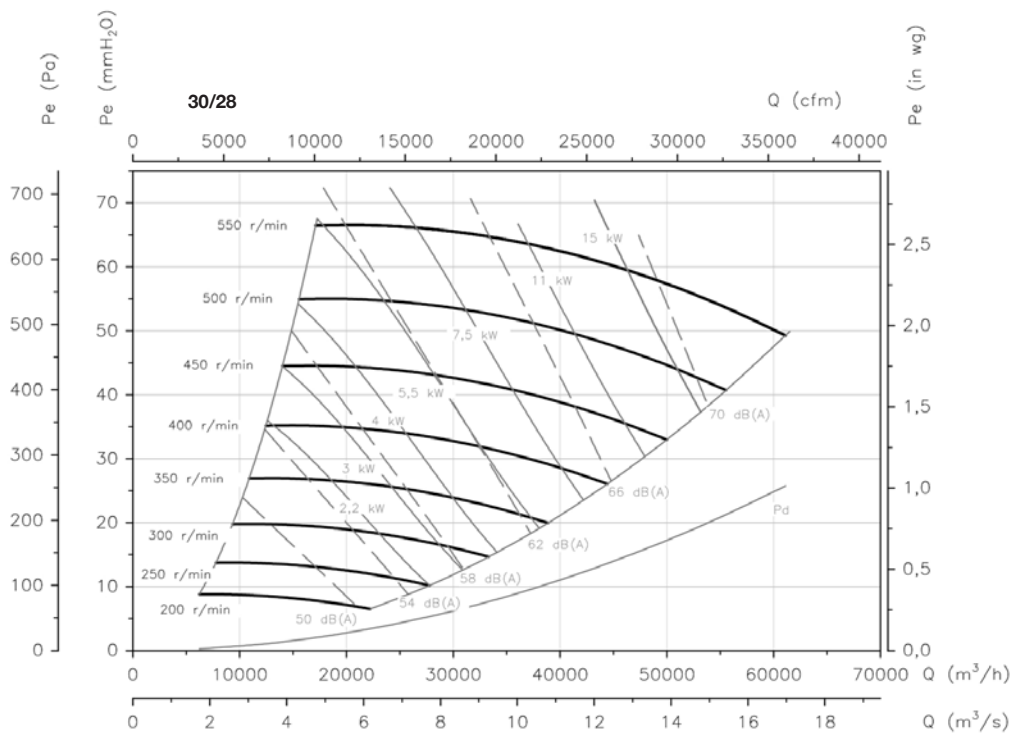
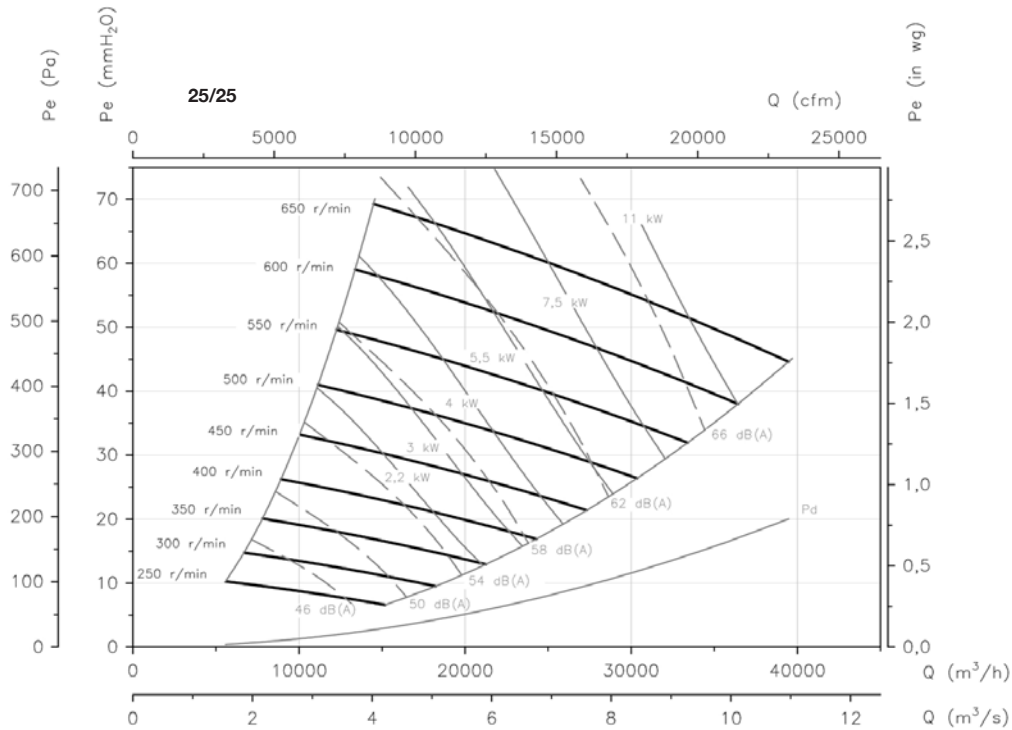
Pe= Static pressure in mm H₂O, Pa and inwg



Characteristic curves

Q= Flow rate in m³/h, m³/s and cfm

Pe= Static pressure in mm H₂O, Pa and inwg



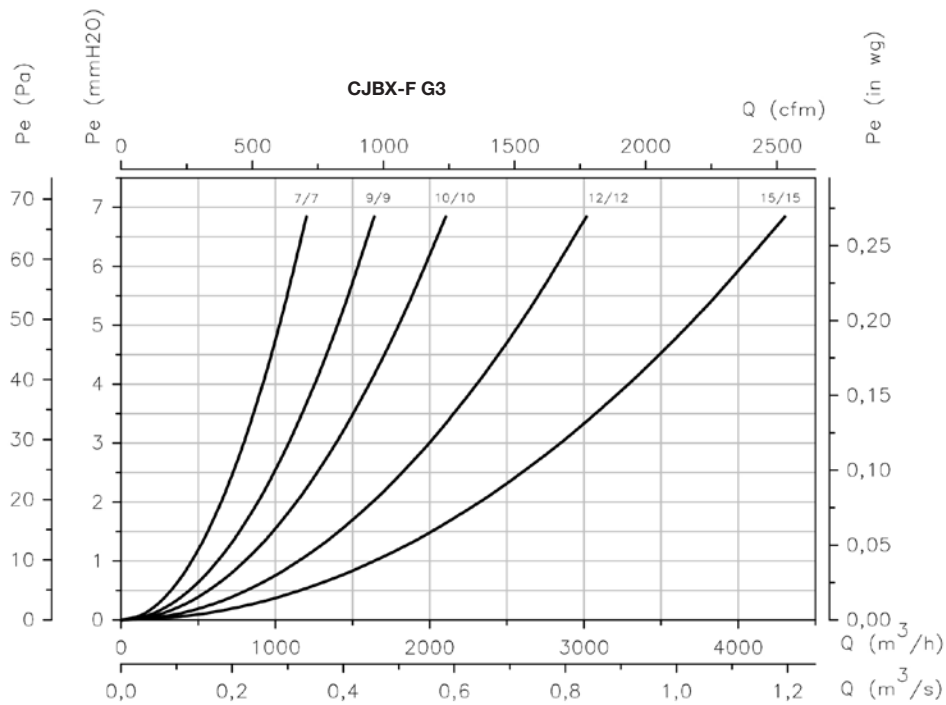
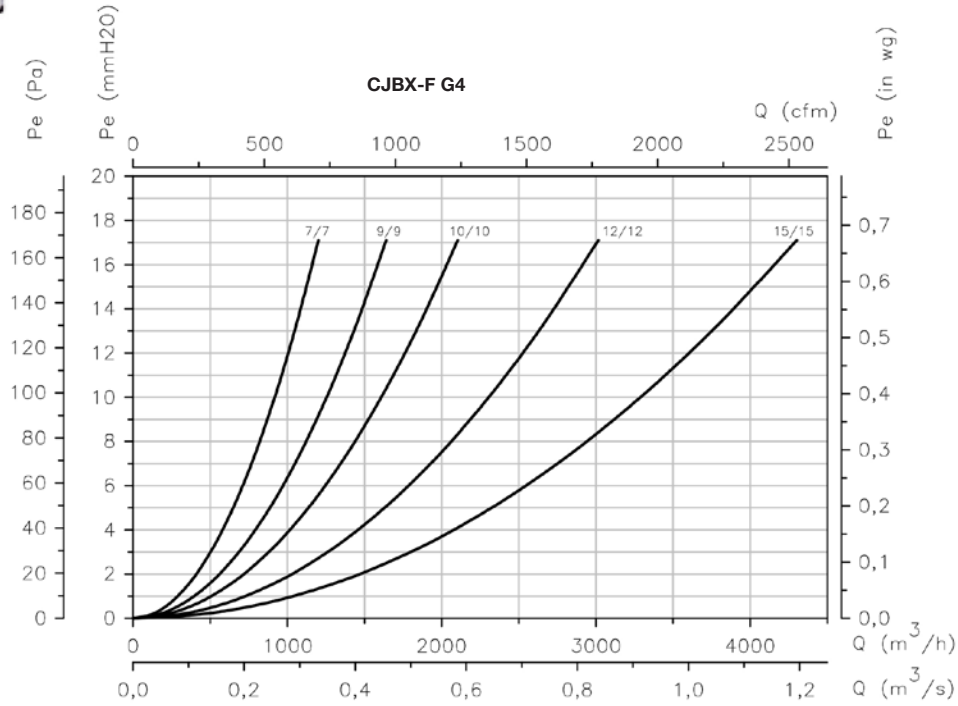
Characteristic curves

Q= Flow rate in m³/h, m³/s and cfm

Pe= Static pressure in mm H₂O, Pa and inwg



Load loss curves of units with filters



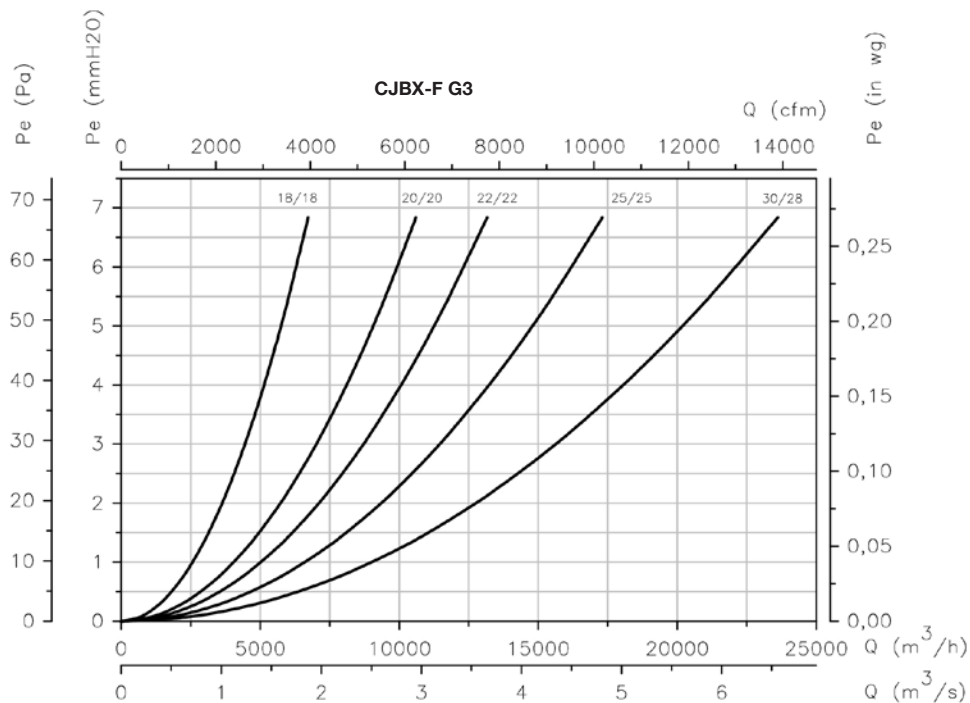
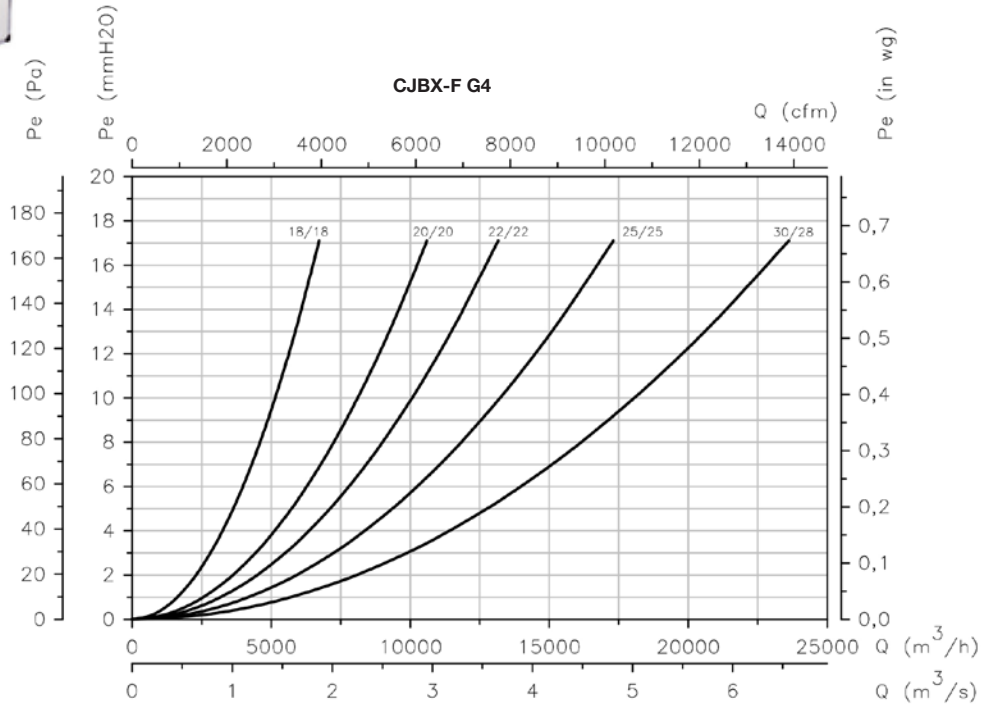
Characteristic curves

Q= Flow rate in m³/h, m³/s and cfm

Pe= Static pressure in mm H₂O, Pa and inwg



Load loss curves of units with filters



Accessories

See accessories section.



INT

C2V

RM

VSD3/A-RFT

AET

VIS

TEJ

UDT



Ventilation units with air treatment system, direct drive motors and acoustic insulation, fitted with double inlet fans and with optional filter, electric or water heating modules.



Box:

- Aluminium profiles structure with thermal and acoustic insulation.
- Lateral access panel to ensure correct maintenance.
- Modular construction for adding filter or air treatment modules.
- Cable gland for cable inlet.

Fan:

- Ventilation units fitted with CBD-series fans.
- Forward-curved impellers made of galvanised sheet steel.

Motor:

- High efficiency (HE) motors in compliance with ErP 2015.
- Class F motors with ball bearings and IP54 protection.

- Single-phase 220/240 V-50 Hz, and three-phase 220-240/380-415 V 50 Hz.
- Maximum temperature of air to be carried: -20 °C + 60 °C.

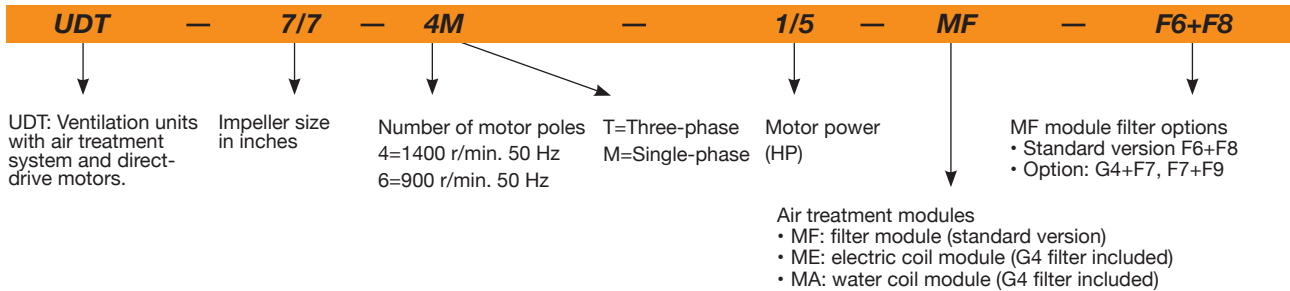
Versions:

- MF: Filtration module. Standard F6+F8 version and optional F7+F9.
- ME: Electric coil module. Standard G4 version and optional with F6+F8 or F7+F9 filters.
- MA: Water coil module. Standard G4 version and optional with F6+F8 or F7+F9 filters.

On request:

- Vertical impulsion.
- Impulsion-mounted module.

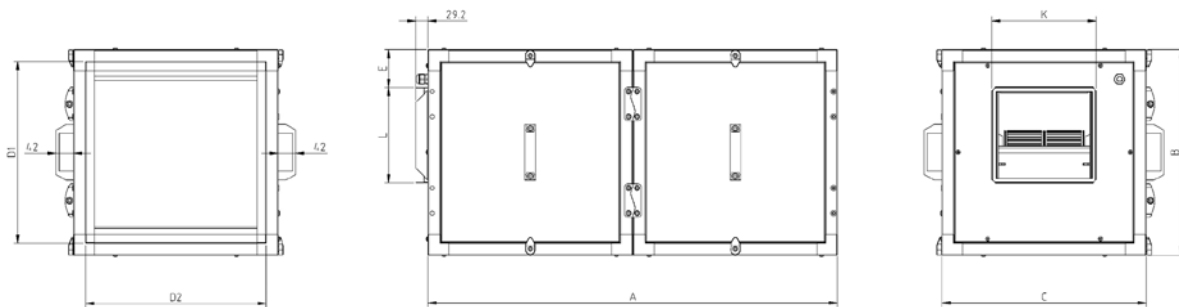
Order code



Technical characteristics

Model	Speed (r/min)	Max. admissible current (A)		Installed power (kW)	Maximum flow rate (m3/h)	Sound level dB(A)	Approx. weight (kg)
		230 V	400 V				
UDT-7/7-4M 1/5	1230	1.4		0.15	1520	58	22.5
UDT-9/9-4M 1/2	1320	3.3		0.37	2800	66	31.8
UDT-9/9-4M 3/4	1310	4.5		0.55	3600	70	32.6
UDT-10/10-4M 1/2	1320	3.3		0.37	2800	65	37.3
UDT-10/10-4M 3/4	1310	4.5		0.55	3950	70	38.1
UDT-12/12-6T 1 1/2	850	6.6	3.8	1.1	7800	74	53.8
UDT-12/12-6M 3/4	850	5		0.55	4900	63	52.3
UDT-12/12-6M 1	850	6		0.75	6000	70	53.3
UDT-15/15-6T 3	890	10.9	6.3	2.2	11900	74	80

Dimensions mm



	A	B	C	D1	D2	E	L	K
UDT-7/7	980	490	490	428	428	91	226	247
UDT-9/9	1100	550	550	488	488	86	279	317
UDT-10/10	1210	605	605	543	543	88	306	343
UDT-12/12	1360	680	680	618	618	84	360	404
UDT-15/15	1710	855	855	793	793	119	423	490

Acoustic characteristics

Sound power spectrum Lw(A) in dB(A) per Hz frequency band

Model	63	125	250	500	1000	2000	4000	8000
7/7-4M 1/5	43	54	58	62	64	63	62	53
9/9-4M 1/2	51	62	66	70	72	71	70	61
9/9-4M 3/4	55	66	70	74	76	75	74	65
10/10-4M 1/2	50	61	65	69	71	70	69	60
10/10-4M 3/4	55	66	70	74	76	75	74	65
12/12-6T 1 1/2	59	70	74	78	80	79	78	69
12/12-6M 3/4	48	59	63	67	69	68	67	58
12/12-6M 1	55	66	70	74	76	75	74	65
15/15-6T 3	61	72	77	81	83	81	80	71

Air treatment module options



F



⚡



💧

MF: Filtration modules

- Aluminium profiles structure with thermal and acoustic insulation.
- Lateral access panel to ensure correct maintenance.
- Modular construction for adding filter or air treatment modules.
- Standard F6+F8 version and optional F7+F9 version module.
- Compatible with the UDT, UDTX, CJBD/AL, CJBD/ALS, CJBX/AL and CJBX/ALS series.

ME: Electric coil modules

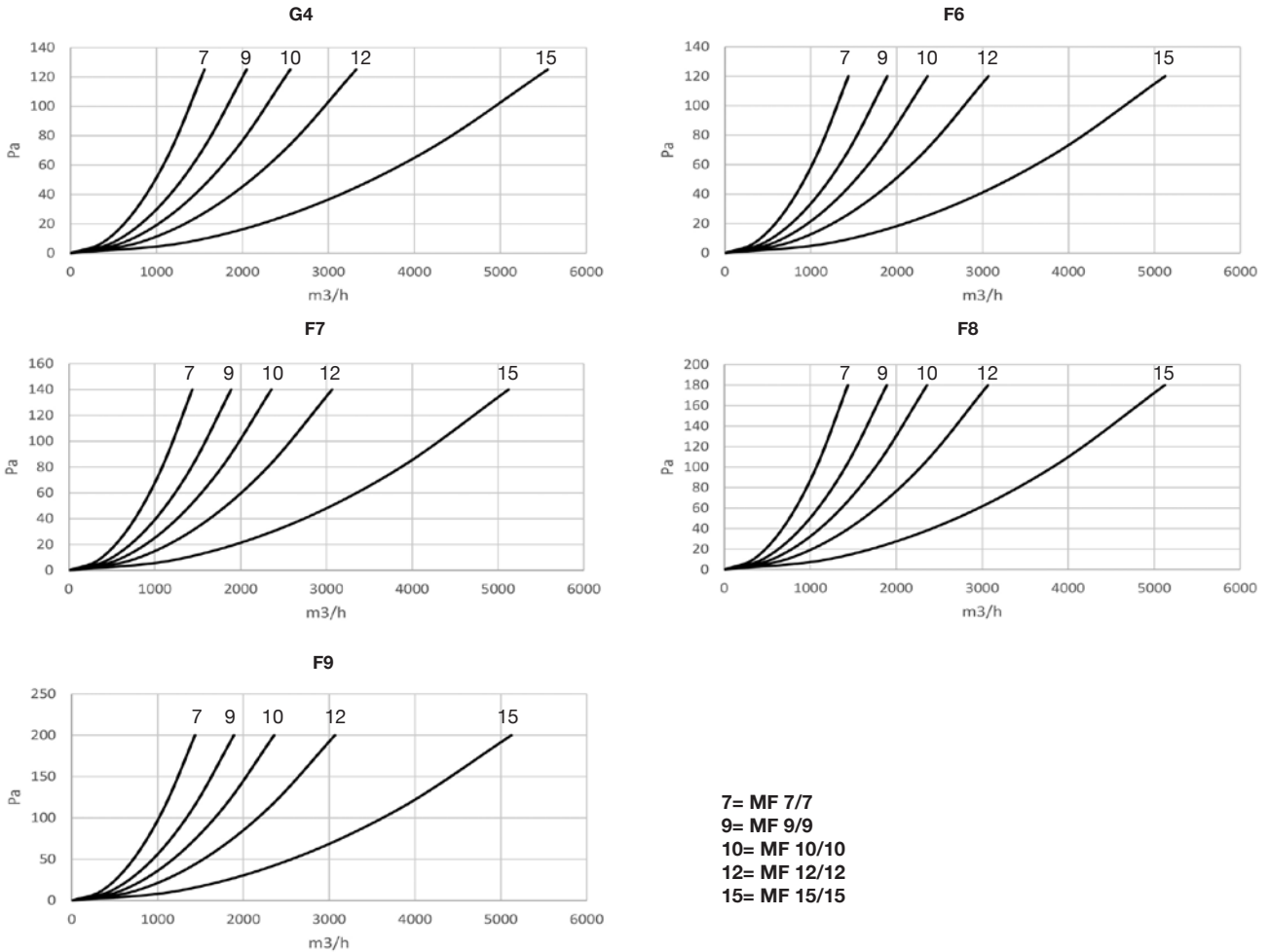
- Aluminium profiles structure with thermal and acoustic insulation.
- Lateral access panel to ensure correct maintenance.
- Modular construction for adding filter or air treatment modules.
- Cable gland for cable inlet.
- Standard G4 version module and optional with F6+F8 or F7+F9 filters.
- Compatible with the UDT, UDTX, CJBD/AL, CJBD/ALS, CJBX/AL and CJBX/ALS series.

MA: Water coil modules

- Aluminium profiles structure with thermal and acoustic insulation.
- Lateral access panel to ensure correct maintenance.
- Modular construction for adding filter or air treatment modules.
- Standard G4 version module and optional with F6+F8 or F7+F9 filters.
- Compatible with the UDT, UDTX, CJBD/AL, CJBD/ALS, CJBX/AL and CJBX/ALS series.

MF: Filtration module characteristics

F Filter load loss

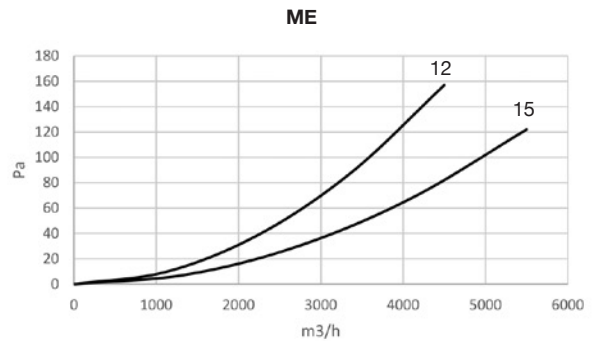
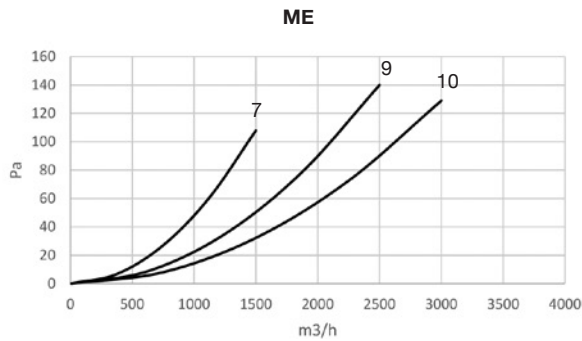


ME: Electric coil module characteristics



	Current (A)	Installed power (kW)			Maximum flow rate (m3/h)	Approx. weight (kg)
	400 V	Phase 1	Phase 2	Phase 3		
ME-7/7	13	3	3	3	1500	23
ME-9/9	23	5.4	5.4	5.4	3300	33
ME-10/10	33	7.7	7.7	7.7	4500	44
ME-12/12	52	12	12	12	6000	61
ME-15/15	81	18.8	18.8	18.8	10000	96

Electric coil load loss



MA: 90/70 °C water coil module characteristics with air at 0 °C



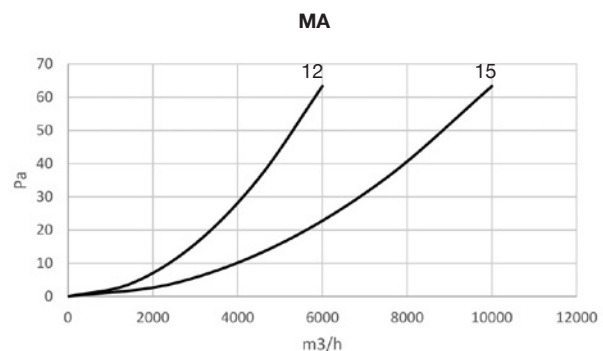
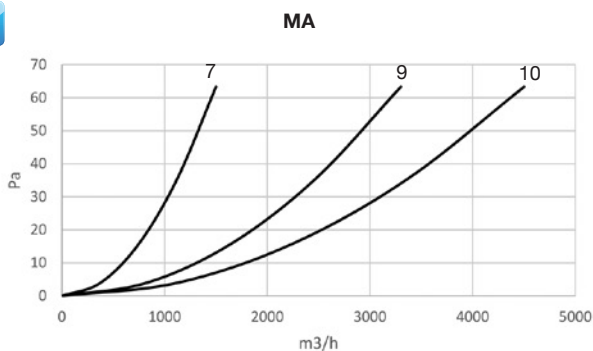
	Power (kW)	Maximum flow rate (m ³ /h)	Water flow rate (m ³ /h)	Water load loss (kPa)	Connection (inch)	Approx. weight (kg)
MA-7/7	23	1500	1.0	16.3	1/2"	18
MA-9/9	37	2500	1.7	26.6	1/2"	25
MA-10/10	46	3000	2.0	17.6	3/4"	31
MA-12/12	66	4500	2.9	29.8	3/4"	39
MA-15/15	108	5500	4.8	21.4	1"	63

MA: 80/60 °C water coil module characteristics with air at 0 °C

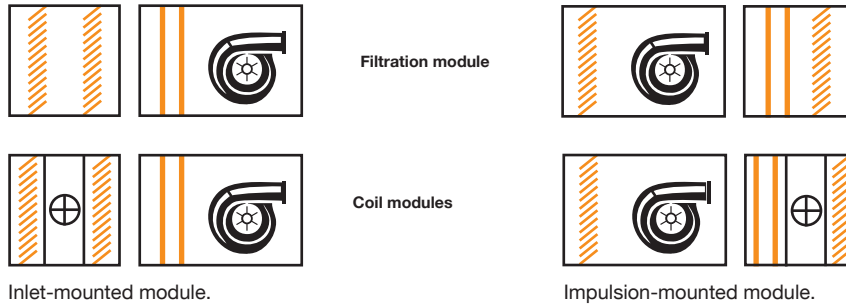


	Power (kW)	Maximum flow rate (m ³ /h)	Water flow rate (m ³ /h)	Water load loss (kPa)	Connection (inch)	Approx. weight (kg)
MA-7/7	20	1500	0.9	13.0	1/2"	18
MA-9/9	33	2500	1.4	21.3	1/2"	25
MA-10/10	40	3000	1.7	14.0	3/4"	31
MA-12/12	58	4500	2.5	23.8	3/4"	39
MA-15/15	100	5500	4.2	17.5	1"	63

Water coil load loss



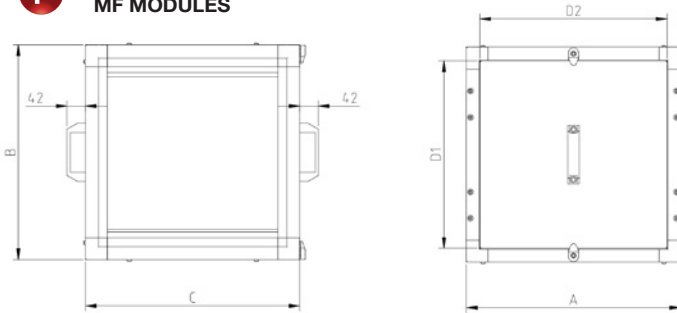
Installation diagrams and filter position



Module dimensions mm

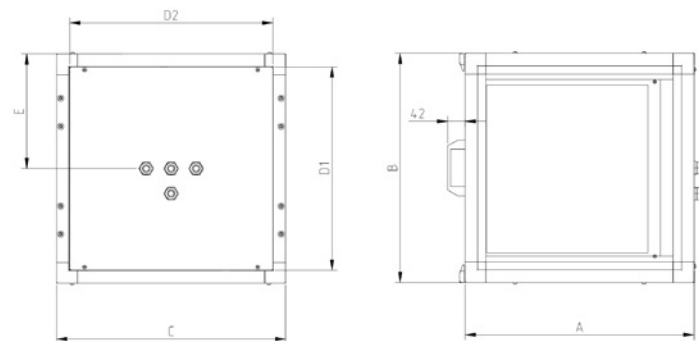
Compatible with the UDT, UDTX, CJBD/AL, CJBD/ALS, CJBX/AL and CJBX/ALS series.

F MF MODULES



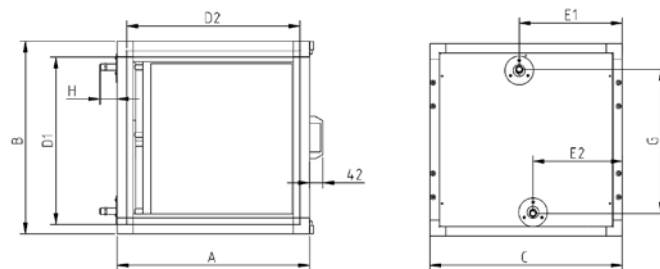
	A	B	C	D1	D2
MF-7/7	490	490	490	428	428
MF-9/9	550	550	550	488	488
MF-10/10	605	605	605	543	543
MF-12/12	680	680	680	618	618
MF-15/15	855	855	855	793	793

ME MODULES



	A	B	C	D1	D2	E
ME-7/7	490	490	490	428	428	245
ME-9/9	550	550	550	488	488	275
ME-10/10	605	605	605	543	543	302.5
ME-12/12	680	680	680	618	618	340
ME-15/15	855	855	855	793	793	427.5

MA MODULES

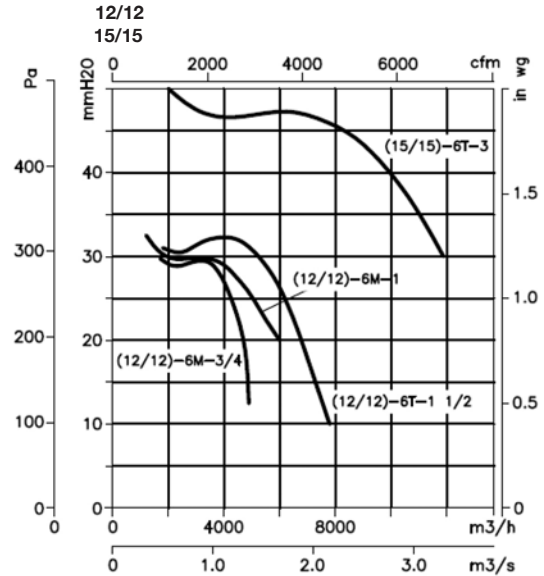
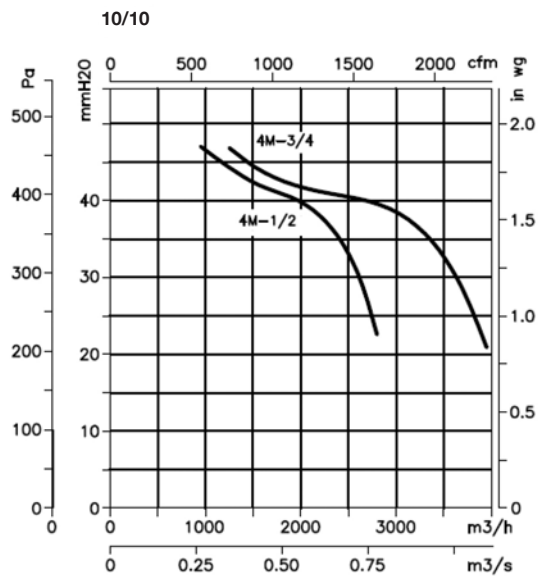
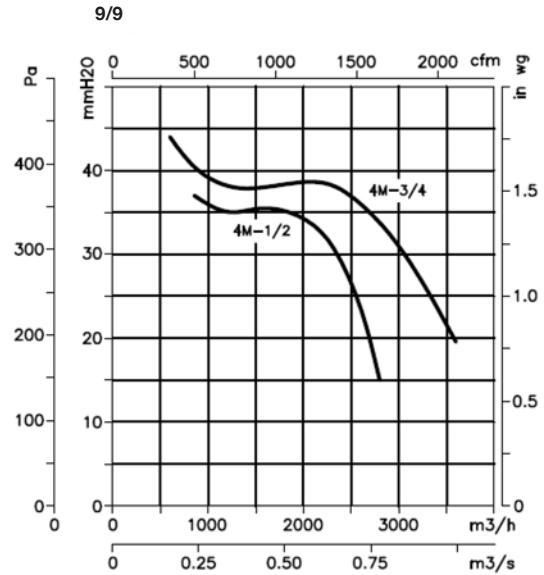
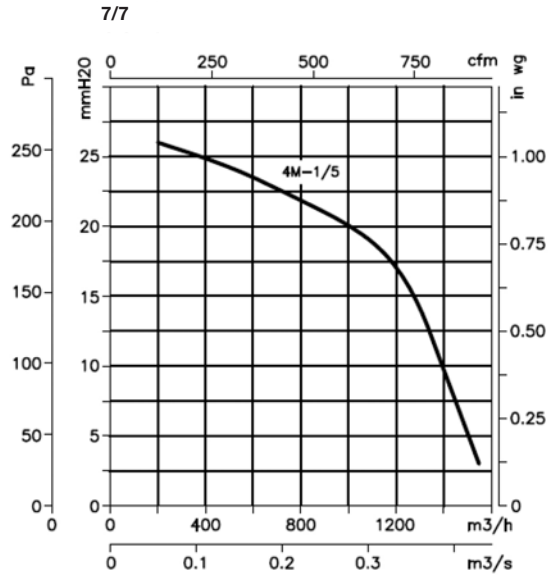


	A	B	C	D1	D2	E1	E2	G	H
MA 7/7	490	490	490	428	428	266.5	223.5	334	59.5
MA 9/9	550	550	550	488	488	296.5	253.5	410	57.2
MA 10/10	605	605	605	543	543	324	281	452	54
MA 12/12	680	680	680	618	618	361.5	318.5	527	79.5
MA 15/15	855	855	855	793	793	460	395	671	42.2
MA 18/18	1000	1000	1000	938	938	521.5	478.5	814	47.2

Fan characteristic curves

Q= Flow rate in m³/h, m³/s and cfm

Pe= Static pressure in mm H₂O, Pa and inwg



UDTX



Ventilation units with belt-driven air treatment systems and acoustic insulation, fitted with double inlet fans and with optional filter, electric or water heating modules.



Box:

- Aluminium profiles structure with thermal and acoustic insulation.
- Lateral access panel to ensure correct maintenance.
- Modular construction for adding filter or air treatment modules.
- Cable gland for cable inlet.

Fan:

- Ventilation units fitted with fans from the CBX, CBXC and CBXR series.
- Impellers with forward-curved blades made of galvanised sheet steel.

Motor:

- IE3 efficiency motors for powers equal to or greater than 0.75 kW except single-phase, 2-speed and 8-pole.
- Class F motors with ball bearings and IP54 protection.

- Three-phase 230/400 V-50 Hz (up to 4 kW) and 400/690 V-50 Hz (powers higher than 4 kW).
- Maximum temperature of air to be carried: -20 °C + 60 °C.

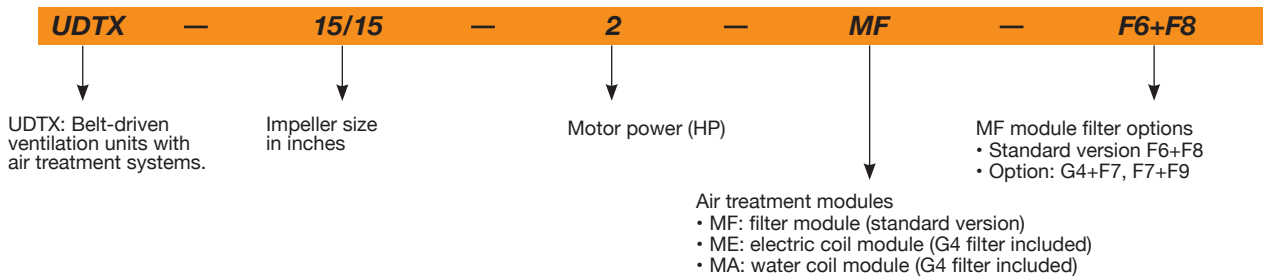
Versions:

- MF: Filtration module. Standard F6+F8 version and optional F7+F9.
- ME: Electric coil module. Standard G4 version and optional with F6+F8 or F7+F9 filters.
- MA: Water coil module. Standard G4 version and optional with F6+F8 or F7+F9 filters.

On request:

- Vertical impulsion.
- Left side transmission.
- Impulsion-mounted module.

Order code



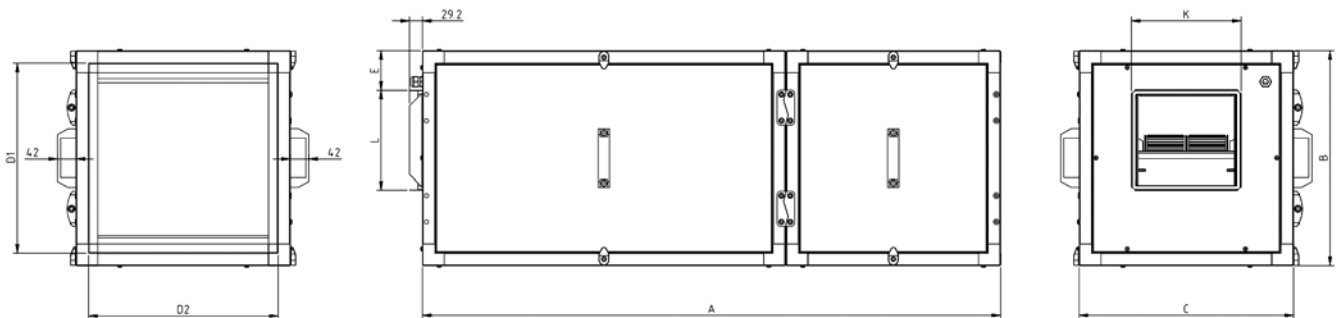
Technical characteristics

Model	Speed (r/min)	Max. admissible current (A)			Installed power (kW)	Maximum flow rate (m ³ /h)	Sound level dB(A)	Approx. weight (kg)	Mounting version
		230 V	400 V	690 V					
UDTX-7/7-0,25	1090	1.23	0.71	0.18	1050	48	37	A	
UDTX-7/7-0,33	1220	1.66	0.96	0.25	1100	50	37.8	A	
UDTX-7/7-0,5	1420	2.02	1.17	0.37	1250	53	39	A	
UDTX-7/7-0,75	1600	2.92	1.69	0.55	1450	56	41	A	
UDTX-7/7-1	1790	3.1	1.79	0.75	1500	58	42.5	A	
UDTX-9/9-0,25	825	1.23	0.71	0.18	1700	45	48	A	
UDTX-9/9-0,33	920	1.66	0.96	0.25	1800	48	50	A	
UDTX-9/9-0,5	1020	2.02	1.17	0.37	2200	51	51.5	A	
UDTX-9/9-0,75	1050	2.92	1.69	0.55	2900	55	54.5	A	
UDTX-9/9-1	1070	3.1	1.79	0.75	3200	56	56	A	
UDTX-9/9-1,5	1260	4.03	2.32	1.1	3750	60	59	A	
UDTX-10/10-0,5	845	2.02	1.17	0.37	2950	52	55	A	

Technical characteristics

Model	Speed (r/min)	Max. admissible current (A)			Installed power (kW)	Maximum flow rate (m3/h)	Sound level dB(A)	Approx. weight (kg)	Mounting version
		230 V	400 V	690 V					
UDTX-10/10-0,75	845	2.92	1.69		0.55	3800	56	57	A
UDTX-10/10-1	960	3.1	1.79		0.75	4175	58	58.5	A
UDTX-10/10-1,5	1070	4.03	2.32		1.1	4800	61	61.3	A
UDTX-10/10-2	1140	5.96	3.44		1.5	5400	63	64.6	A
UDTX-12/12-0,5	595	2.02	1.17		0.37	4200	52	69	A
UDTX-12/12-0,75	675	2.92	1.69		0.55	4800	54	71	A
UDTX-12/12-1	765	3.1	1.79		0.75	5400	57	72.4	A
UDTX-12/12-1,5	855	4.03	2.32		1.1	5800	59	75.3	A
UDTX-12/12-2	965	5.96	3.44		1.5	6500	62	78.6	A
UDTX-12/12-3	1180	8.36	4.83		2.2	7400	65	87	A
UDTX-15/15-0,75	525	2.92	1.69		0.55	5900	49	85	B
UDTX-15/15-1	595	3.1	1.79		0.75	6500	52	86.4	B
UDTX-15/15-1,5	635	4.03	2.32		1.1	7500	54	89.3	B
UDTX-15/15-2	670	5.96	3.44		1.5	8200	56	92.6	B
UDTX-15/15-3	740	8.36	4.83		2.2	9500	59	101	B
UDTX-15/15-4	805	10.96	6.33		3	10600	61	103	B
UDTX-15/15-5,5	965	14.1	8.12		4	12000	63	108	B
UDTX-18/18-1,5	480	4.03	2.32		1.1	9000	48	122	B
UDTX-18/18-2	605	5.96	3.44		1.5	9250	51	125.3	B
UDTX-18/18-3	590	8.36	4.83		2.2	11500	54	133.7	B
UDTX-18/18-4	640	10.96	6.33		3	13200	56	135.7	B
UDTX-18/18-5,5	675	14.1	8.12		4	15000	58	141	B
UDTX-18/18-7,5	760		11.6	6.72	5.5	17000	60	154.5	B

Dimensions mm



	A	B	C	D1	D2	E	L	K
UDTX-7/7	1320	490	490	428	428	91	226	247
UDTX-9/9	1470	550	550	488	488	86	279	317
UDTX-10/10	1575	605	605	543	543	88	306	343
UDTX-12/12	1730	680	680	618	618	84	360	404
UDTX-15/15	2075	855	855	793	793	119	423	490
UDTX-18/18	2356	1000	1000	938	938	137	498	554

Air treatment module options



MF: Filtration modules

- Aluminium profiles structure with thermal and acoustic insulation.
- Lateral access panel to ensure correct maintenance.
- Modular construction for adding filter or air treatment modules.
- Standard F6+F8 version and optional F7+F9 version module.
- Compatible with the UDT, UDTX, CJBD/AL, CJBD/ALS, CJBX/AL and CJBX/ALS series.

ME: Electric coil modules

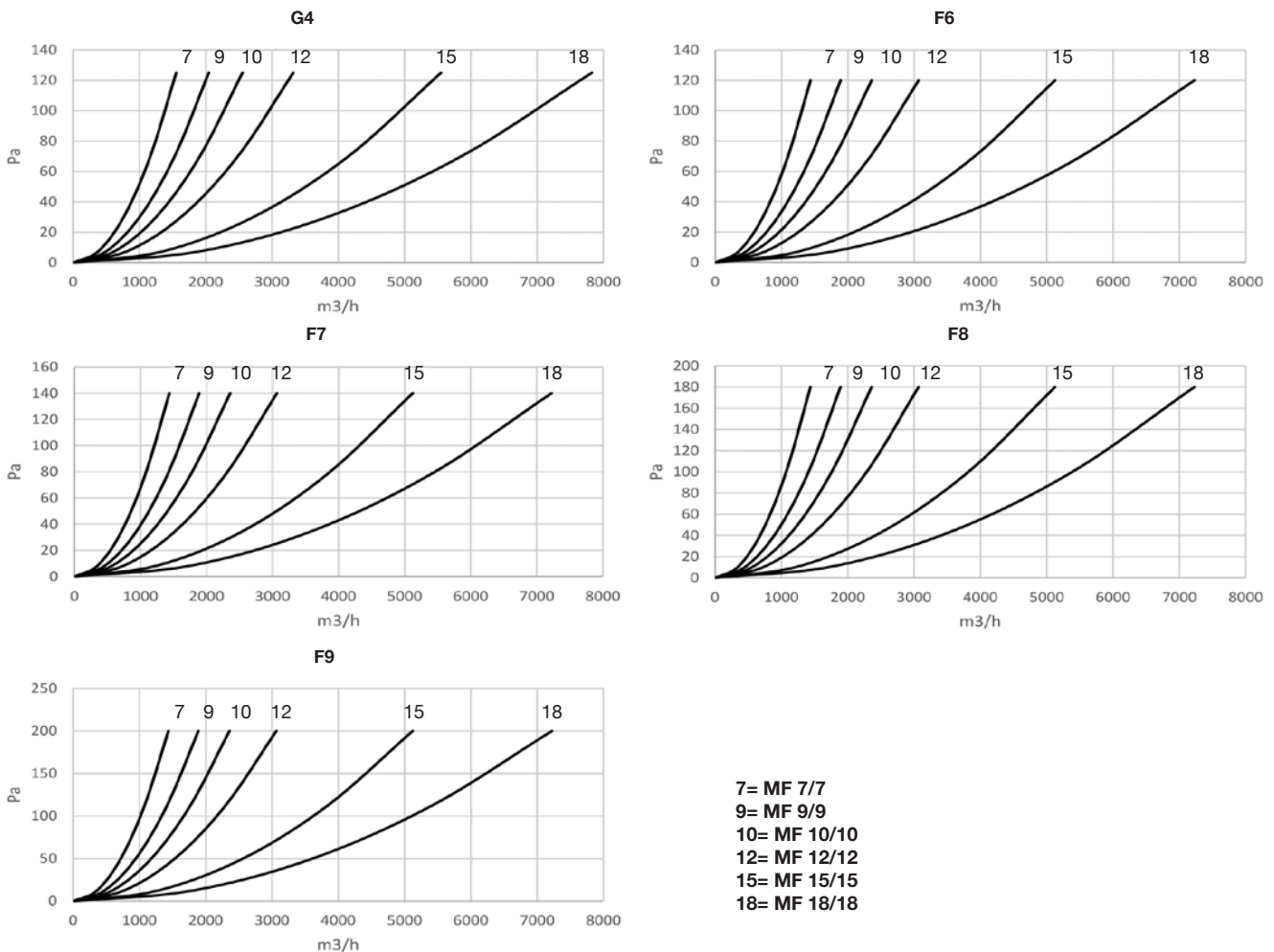
- Aluminium profiles structure with thermal and acoustic insulation.
- Lateral access panel to ensure correct maintenance.
- Modular construction for adding filter or air treatment modules.
- Cable gland for cable inlet.
- Standard G4 version module and optional with F6+F8 or F7+F9 filters.
- Compatible with the UDT, UDTX, CJBD/AL, CJBD/ALS, CJBX/AL and CJBX/ALS series.

MA: Water coil modules

- Aluminium profiles structure with thermal and acoustic insulation.
- Lateral access panel to ensure correct maintenance.
- Modular construction for adding filter or air treatment modules.
- Standard G4 version module and optional with F6+F8 or F7+F9 filters.
- Compatible with the UDT, UDTX, CJBD/AL, CJBD/ALS, CJBX/AL and CJBX/ALS series.

MF: Filtration module characteristics

F Filter load loss

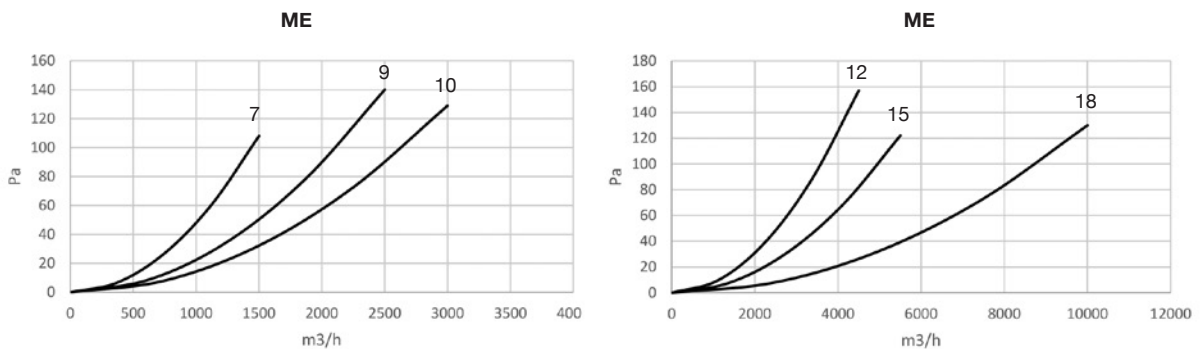


ME: Electric coil module characteristics



	Current (A)	Installed power (kW)			Maximum flow rate (m ³ /h)	Approx. weight (kg)
	400 V	Phase 1	Phase 2	Phase 3		
ME-7/7	13	3	3	3	1500	23
ME-9/9	23	5.4	5.4	5.4	3300	33
ME-10/10	33	7.7	7.7	7.7	4500	44
ME-12/12	52	12	12	12	6000	61
ME-15/15	81	18.8	18.8	18.8	10000	96
ME-18/18	97	22.5	22.5	22.5	13000	123

Electric coil load loss



MA: 90/70 °C water coil module characteristics with air at 0 °C



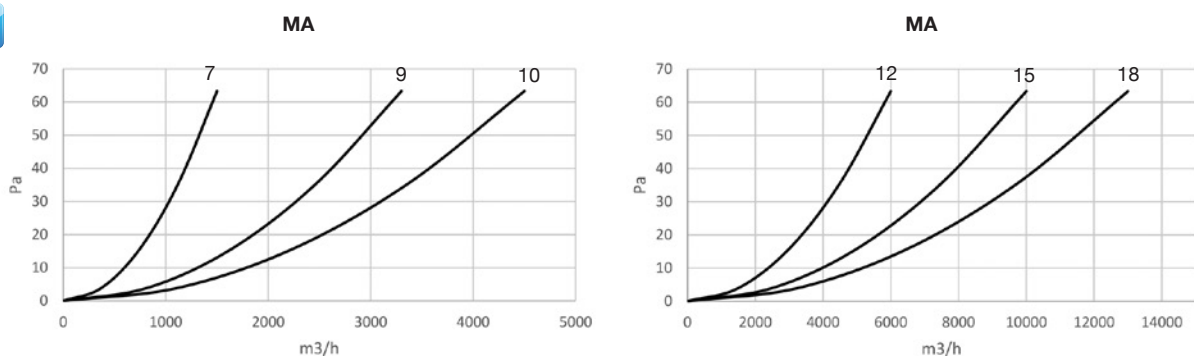
	Power (kW)	Maximum flow rate (m ³ /h)	Water flow rate (m ³ /h)	Water load loss (kPa)	Connection (inch)	Approx. weight (kg)
MA-7/7	23	1500	1.0	16.3	1/2"	18
MA-9/9	37	2500	1.7	26.6	1/2"	25
MA-10/10	46	3000	2.0	17.6	3/4"	31
MA-12/12	66	4500	2.9	29.8	3/4"	39
MA-15/15	108	5500	4.8	21.4	1"	63
MA-18/18	153	10000	6.8	21.9	1 1/4"	87

MA: 80/60 °C water coil module characteristics with air at 0 °C

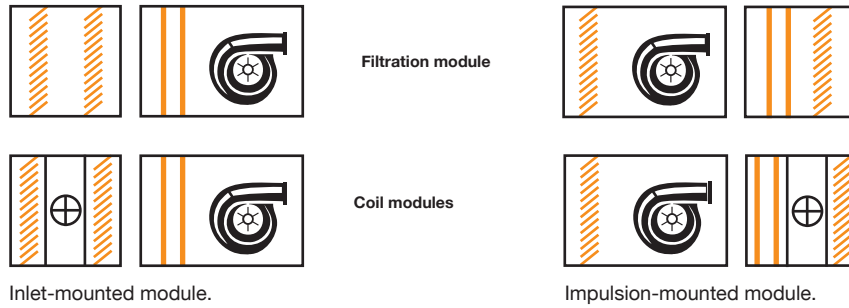


	Power (kW)	Maximum flow rate (m ³ /h)	Water flow rate (m ³ /h)	Water load loss (kPa)	Connection (inch)	Approx. weight (kg)
MA-7/7	20	1500	0.9	13.0	1/2"	18
MA-9/9	33	2500	1.4	21.3	1/2"	25
MA-10/10	40	3000	1.7	14.0	3/4"	31
MA-12/12	58	4500	2.5	23.8	3/4"	39
MA-15/15	100	5500	4.2	17.5	1"	63
MA-18/18	133	10000	5.8	17.5	1 1/4"	87

Water coil load loss



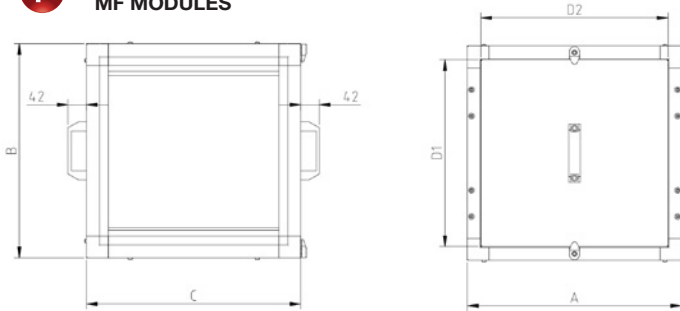
Installation diagrams and filter position



Module dimensions mm

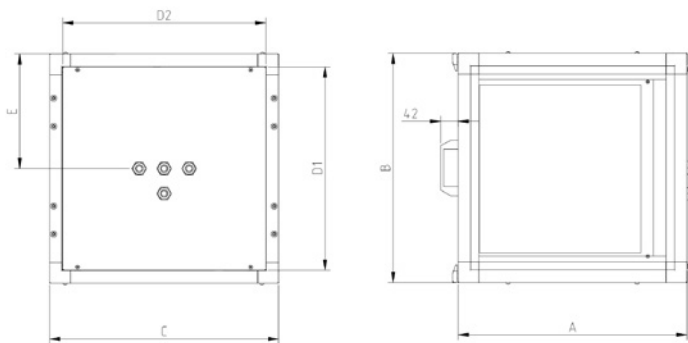
Compatible with the UDT, UDTX, CJBD/AL, CJBD/ALS, CJBX/AL and CJBX/ALS series.

F MF MODULES



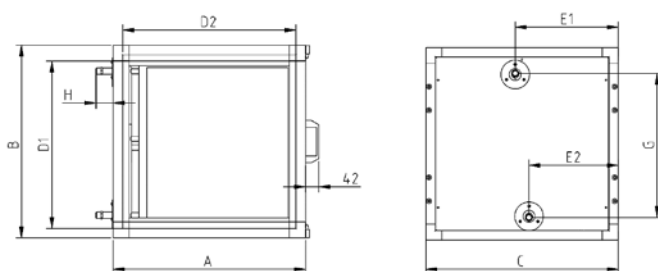
	A	B	C	D1	D2
MF-7/7	490	490	490	428	428
MF-9/9	550	550	550	488	488
MF-10/10	605	605	605	543	543
MF-12/12	680	680	680	618	618
MF-15/15	855	855	855	793	793
MF-18/18	1000	1000	1000	938	938

ME MODULES



	A	B	C	D1	D2	E
ME-7/7	490	490	490	428	428	245
ME-9/9	550	550	550	488	488	275
ME-10/10	605	605	605	543	543	302.5
ME-12/12	680	680	680	618	618	340
ME-15/15	855	855	855	793	793	427.5
ME-18/18	1000	1000	1000	938	938	500

MA MODULES

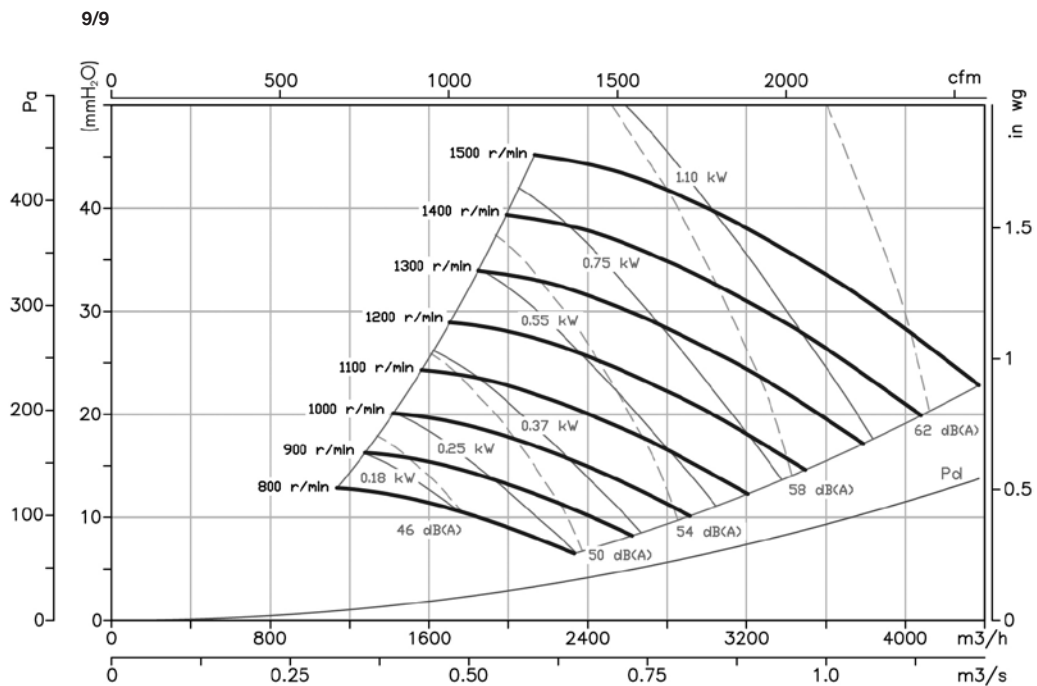
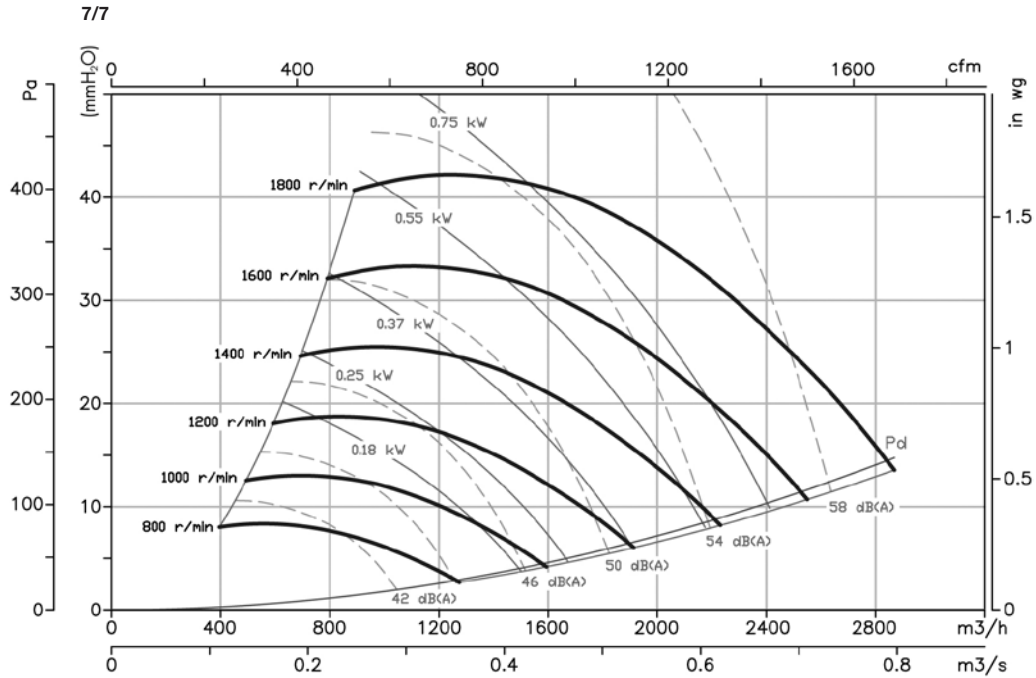


	A	B	C	D1	D2	E1	E2	G	H
MA 7/7	490	490	490	428	428	266.5	223.5	334	59.5
MA 9/9	550	550	550	488	488	296.5	253.5	410	57.2
MA 10/10	605	605	605	543	543	324	281	452	54
MA 12/12	680	680	680	618	618	361.5	318.5	527	79.5
MA 15/15	855	855	855	793	793	460	395	671	42.2
MA 18/18	1000	1000	1000	938	938	521.5	478.5	814	47.2

Fan characteristic curves

Q= Flow rate in m³/h, m³/s and cfm

Pe= Static pressure in mm H₂O, Pa and inwg

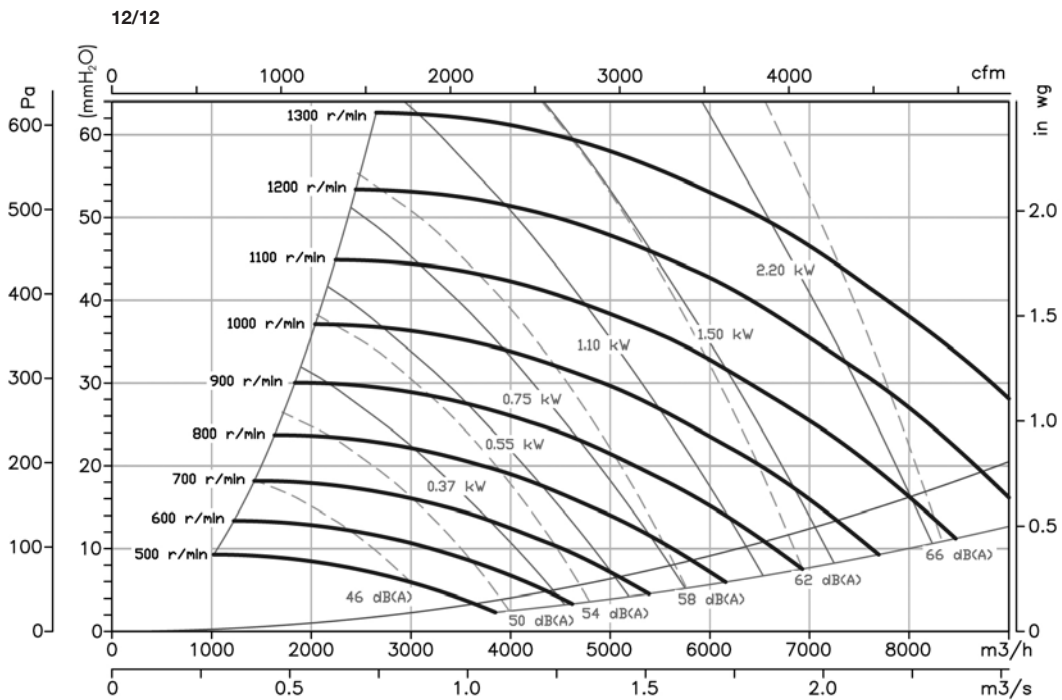
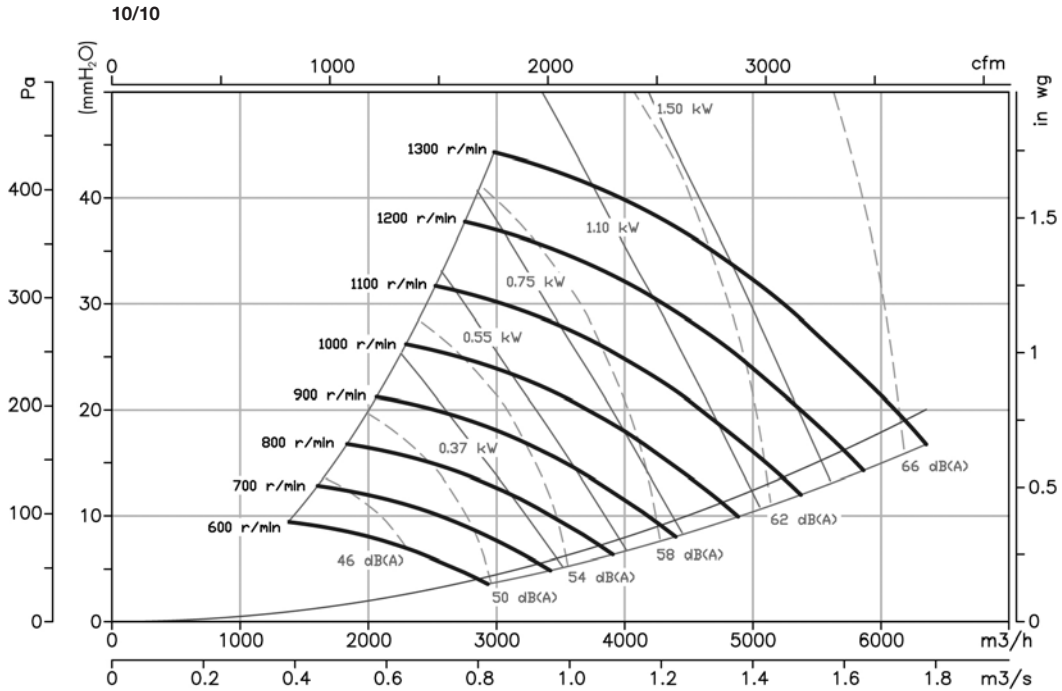


CENTRIFUGAL FANS AND IN-LINE DUCT EXTRACTOR FANS

Fan characteristic curves

Q= Flow rate in m³/h, m³/s and cfm

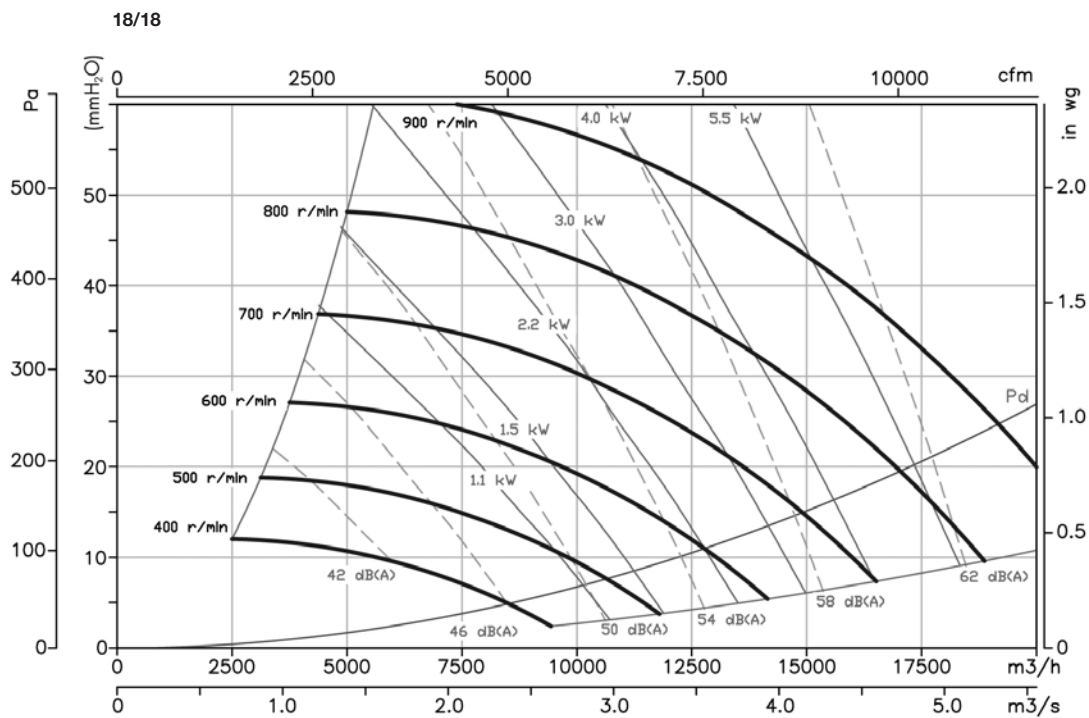
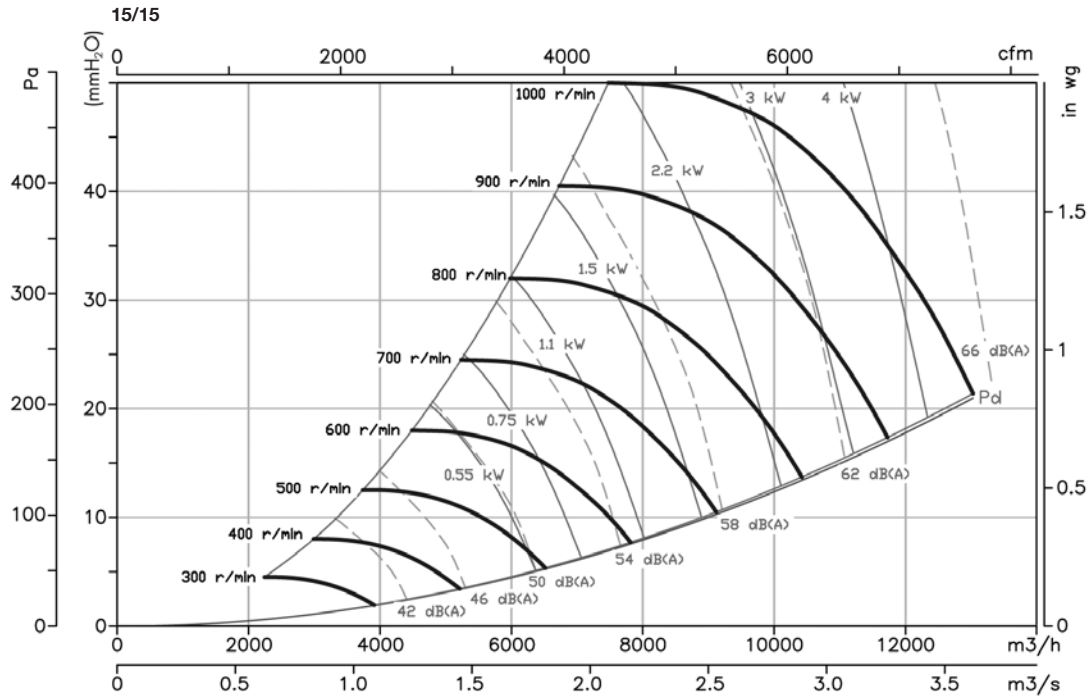
Pe= Static pressure in mm H₂O, Pa and inwg



Fan characteristic curves

Q= Flow rate in m³/h, m³/s and cfm

Pe= Static pressure in mm H₂O, Pa and inwg



CJTX-C



400 °C/2h belt-driven double inlet extractor fan units.



400 °C/2h extractor fan units, with motor and transmission mounted inside the box, to operate outside the fire zone.

Fan:

- Galvanised sheet steel structure.
- Forward-curved impeller made of galvanised sheet steel.
- Approved in accordance with standard EN 12101-3, with certificate number: 0370-CPR-0468.
- Linear airflow direction.

- Three-phase 230/400 V-50 Hz (up to 4 kW) and 400/690 V-50 Hz (powers greater than 4 kW).
- Maximum temperature of air to be carried: S1 continuous operation -20 °C +120 °C, S2 operation 300 °C/2h, 400 °C/2h.

Finish:

- Anti-corrosive finish on galvanised sheet steel.

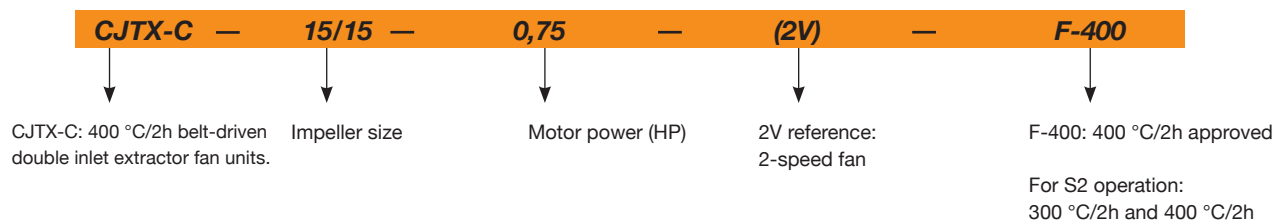
On request:

- Vertical outlet fans.

Motor:

- Class F motors with ball bearings, IP55 protection and with 1 or 2 speeds, depending on model.
- IE3 efficiency motors for powers equal to or greater than 0.75 kW except single-phase, 2-speed and 8-pole.

Order code



Technical characteristics

Model	Speed (r/min)	Maximum admissible current (A)			Installed power (kW)	Maximum flow rate m3/h	Sound pressure level dB(A)	Approx. weight (kg)	According to ErP
		230 V	400 V	690 V					
CJTX-C-7/7-0.75	1400	2.92	1.69		0.55	2450	67	58	2018
CJTX-C-7/7-0.75-2V	1400 / 700		1.70 / 0.80		0.55 / 0.19	2450 / 1225	67 / 52	58	2018
CJTX-C-7/7-1 IE3	1600	2.82	1.62		0.75	2800	69	63	2018
CJTX-C-7/7-1-2V	1600 / 800		2.00 / 0.90		0.75 / 0.20	2800 / 1400	69 / 54	61	2018
CJTX-C-9/9-0.33-2V	850 / 425		0.70 / 0.30		0.25 / 0.10	2900 / 1450	58 / 43	65	2018
CJTX-C-9/9-0.5	960	2.02	1.17		0.37	3300	61	66	2018
CJTX-C-9/9-0.5-2V	960 / 480		1.05 / 0.50		0.37 / 0.11	3300 / 1650	61 / 46	67	2018
CJTX-C-9/9-0.75	1060	2.92	1.69		0.55	3800	65	69	2018
CJTX-C-9/9-1 IE3	1200	2.82	1.62		0.75	4250	67	74	2018
CJTX-C-9/9-1.5 IE3	1340	4.07	2.34		1.10	4800	70	84	2018
CJTX-C-9/9-2 IE3	1500	5.41	3.11		1.50	5350	72	92	2018
CJTX-C-10/10-0.33	660	1.66	0.96		0.25	3000	57	77	2018
CJTX-C-10/10-0.33-2V	660 / 330		0.70 / 0.30		0.25 / 0.10	3000 / 1500	57 / 42	77	2018
CJTX-C-10/10-0.5	800	2.02	1.17		0.37	3400	61	77	2018
CJTX-C-10/10-0.5-2V	800 / 400		1.05 / 0.50		0.37 / 0.11	3400 / 1700	61 / 46	79	2018
CJTX-C-10/10-0.75	880	2.92	1.69		0.55	4000	63	81	2018
CJTX-C-10/10-0.75-2V	880 / 440		1.70 / 0.80		0.55 / 0.19	4000 / 2000	63 / 48	81	2018
CJTX-C-10/10-1 IE3	1000	2.82	1.62		0.75	4350	65	86	2018
CJTX-C-10/10-1-2V	1000 / 500		2.00 / 0.90		0.75 / 0.20	4350 / 2175	65 / 50	84	2018
CJTX-C-10/10-1.5 IE3	1130	4.07	2.34		1.10	5000	68	96	2018
CJTX-C-10/10-2 IE3	1270	5.41	3.11		1.50	5450	71	102	2018
CJTX-C-10/10-3 IE3	1450	7.93	4.56		2.20	6200	74	90	2018
CJTX-C-12/12-0.5	600	2.02	1.17		0.37	4300	60	96	2018
CJTX-C-12/12-0.5-2V	600 / 300		1.05 / 0.50		0.37 / 0.11	4300 / 2150	60 / 45	98	2018
CJTX-C-12/12-0.75	700	2.92	1.69		0.55	4850	63	99	2018

Technical characteristics

Model	Speed (r/min)	Maximum admissible current (A)			Installed power (kW)	Maximum flow rate m3/h	Sound pressure level dB(A)	Approx. weight (kg)	According to ErP
		230 V	400 V	690 V					
CJTX-C-12/12-0.75-2V	700 / 350		1.70 / 0.80		0.55 / 0.19	4850 / 2425	63 / 48	100	2018
CJTX-C-12/12-1 IE3	800	2.82	1.62		0.75	5250	65	105	2018
CJTX-C-12/12-1-2V	800 / 400		2.00 / 0.90		0.75 / 0.20	5250 / 2625	65 / 50	103	2018
CJTX-C-12/12-1.5 IE3	880	4.07	2.34		1.10	6150	68	115	2018
CJTX-C-12/12-1.5-2V	880 / 440		2.90 / 1.30		1.10 / 0.25	6150 / 3075	68 / 53	104	2018
CJTX-C-12/12-2 IE3	1020	5.41	3.11		1.50	6600	70	121	2018
CJTX-C-12/12-3 IE3	1140	7.93	4.56		2.20	7600	73	108	2018
CJTX-C-12/12-4 IE3	1250	10.70	6.15		3.00	8550	75	120	2018
CJTX-C-15/15-0.75	530	2.92	1.69		0.55	6000	59	126	2018
CJTX-C-15/15-0.75-2V	530 / 265		1.60 / 0.65		0.55 / 0.09	6000 / 3000	59 / 44	126	2018
CJTX-C-15/15-1 IE3	560	2.82	1.62		0.75	7000	61	131	2018
CJTX-C-15/15-1.5 IE3	630	4.07	2.34		1.10	8050	64	142	2018
CJTX-C-15/15-2 IE3	700	5.41	3.11		1.50	8900	66	149	2018
CJTX-C-15/15-3 IE3	800	7.93	4.56		2.20	10100	69	136	2018
CJTX-C-15/15-4 IE3	880	10.70	6.15		3.00	11350	72	149	2018
CJTX-C-15/15-5.5 IE3	970	13.90	8.00		4.00	12600	73	147	2018
CJTX-C-18/18-1 IE3	460	2.82	1.62		0.75	10100	60	164	2018
CJTX-C-18/18-1-2V	460 / 230		2.20 / 0.870		0.75 / 0.15	10100 / 5050	60 / 45	163	2018
CJTX-C-18/18-1.5 IE3	510	4.07	2.34		1.10	11800	61	175	2018
CJTX-C-18/18-1.5-2V	510 / 255		3.00 / 1.15		1.10 / 0.18	11800 / 5900	61 / 46	165	2018
CJTX-C-18/18-2 IE3	540	5.41	3.11		1.50	13800	64	183	2018
CJTX-C-18/18-2-2V	540 / 270		4.60 / 1.90		1.50 / 0.25	13800 / 6900	64 / 49	167	2018
CJTX-C-18/18-3 IE3	610	7.93	4.56		2.20	15850	67	171	2018
CJTX-C-18/18-3-2V	610 / 305		5.60 / 2.20		2.20 / 0.37	15850 / 7925	67 / 52	173	2018
CJTX-C-18/18-4 IE3	680	10.70	6.15		3.00	17600	70	182	2018
CJTX-C-18/18-4-2V	680 / 340		9.00 / 3.50		3.00 / 0.55	17600 / 8800	70 / 55	180	2018
CJTX-C-18/18-5.5 IE3	750	13.90	8.00		4.00	19450	72	180	2018
CJTX-C-18/18-5.5-2V	750 / 375		11.00 / 4.00		4.00 / 0.65	19450 / 9725	72 / 57	184	2018
CJTX-C-18/18-7.5 IE3	850		10.30	5.97	5.50	21350	74	211	2018
CJTX-C-18/18-7.5-2V	850 / 425		13.20 / 5.30		5.50 / 1.00	21350 / 10675	74 / 59	204	2018
CJTX-C-18/18-10 IE3	930		13.90	8.06	7.50	24000	77	218	2018
CJTX-C-20/20-2 IE3	450	5.41	3.11		1.50	14000	64	284	2018
CJTX-C-20/20-3 IE3	530	7.93	4.56		2.20	15800	68	271	2018
CJTX-C-20/20-4 IE3	580	10.70	6.15		3.00	17950	70	282	2018
CJTX-C-20/20-5.5 IE3	660	13.90	8.00		4.00	19050	72	281	2018
CJTX-C-20/20-7.5 IE3	740		10.30	5.97	5.50	21150	74	312	2018
CJTX-C-20/20-10 IE3	815		13.90	8.06	7.50	23650	77	320	2018
CJTX-C-22/22-2 IE3	380	5.41	3.11		1.50	16000	62	326	2018
CJTX-C-22/22-2-2V	380 / 190		4.60 / 1.90		1.50 / 0.25	16000 / 8000	62 / 47	310	2018
CJTX-C-22/22-3 IE3	430	7.93	4.56		2.20	18400	64	313	2018
CJTX-C-22/22-3-2V	430 / 215		5.60 / 2.20		2.20 / 0.37	18400 / 9200	64 / 49	316	2018
CJTX-C-22/22-4 IE3	480	10.70	6.15		3.00	20350	68	325	2018
CJTX-C-22/22-5.5 IE3	520	13.90	8.00		4.00	23250	69	325	2018
CJTX-C-22/22-7.5 IE3	580		10.30	5.97	5.50	25950	72	356	2018
CJTX-C-22/22-10 IE3	650		13.90	8.06	7.50	28250	74	362	2018
CJTX-C-22/22-15 IE3	740		20.90	12.10	11.00	31950	77	383	2018
CJTX-C-22/22-20 IE3	780		27.90	16.20	15.00	34000	79	441	2018
CJTX-C-25/25-3 IE3	340	7.93	4.56		2.20	21550	66	370	2018
CJTX-C-25/25-3-2V	340 / 170		5.60 / 2.20		2.20 / 0.37	21550 / 10775	66 / 51	372	2018
CJTX-C-25/25-4 IE3	380	10.70	6.15		3.00	23850	68	381	2018
CJTX-C-25/25-4-2V	380 / 190		9.00 / 3.50		3.00 / 0.55	23850 / 11925	68 / 53	379	2018
CJTX-C-25/25-5.5 IE3	420	13.90	8.00		4.00	26300	70	379	2018
CJTX-C-25/25-5.5-2V	420 / 210		11.00 / 4.00		4.00 / 0.65	26300 / 13150	70 / 55	383	2018
CJTX-C-25/25-7.5 IE3	470		10.30	5.97	5.50	29250	73	416	2018
CJTX-C-25/25-7.5-2V	470 / 235		13.20 / 5.30		5.50 / 1.00	29250 / 14625	73 / 58	409	2018
CJTX-C-25/25-10 IE3	510		13.90	8.06	7.50	33150	75	417	2018
CJTX-C-25/25-10-2V	510 / 255		16.90 / 5.50		7.50 / 1.30	33150 / 16575	75 / 60	412	2018
CJTX-C-25/25-15 IE3	570		20.90	12.10	11.00	38300	78	444	2018
CJTX-C-25/25-15-2V	570 / 285		23.20 / 8.70		11.00 / 2.80	38300 / 19150	78 / 63	450	2018
CJTX-C-25/25-20 IE3	630		27.90	16.20	15.00	38750	80	499	2018
CJTX-C-30/28-3 IE3	250	7.93	4.56		2.20	25550	64	503	2018
CJTX-C-30/28-3-2V	250 / 125		5.60 / 2.20		2.20 / 0.37	25550 / 12775	64 / 49	507	2018
CJTX-C-30/28-4 IE3	280	10.70	6.15		3.00	28250	66	521	2018
CJTX-C-30/28-4-2V	280 / 140		9.00 / 3.50		3.00 / 0.55	28250 / 14125	66 / 51	519	2018
CJTX-C-30/28-5.5 IE3	340	13.90	8.00		4.00	28750	68	519	2018
CJTX-C-30/28-5.5-2V	340 / 170		11.00 / 4.00		4.00 / 0.65	28750 / 14375	68 / 53	523	2018
CJTX-C-30/28-7.5 IE3	360		10.30	5.97	5.50	33600	71	553	2018

CENTRIFUGAL FANS AND IN-LINE DUCT EXTRACTOR FANS

Technical characteristics

Model	Speed (r/min)	Maximum admissible current (A)			Installed power (kW)	Maximum flow rate m3/h	Sound pressure level dB(A)	Approx. weight (kg)	According to ErP
		230 V	400 V	690 V					
CJTX-C-30/28-7.5-2V	360 / 180	13.20 / 5.30			5.50 / 1.00	33600 / 16800	71 / 56	546	2018
CJTX-C-30/28-10 IE3	410	13.90	8.06	7.50	36400	73	561	2018	
CJTX-C-30/28-10-2V	410 / 205	16.90 / 5.50			7.50 / 1.30	36400 / 18200	73 / 58	556	2018
CJTX-C-30/28-15 IE3	480	20.90	12.10	11.00	40250	76	582	2018	
CJTX-C-30/28-15-2V	480 / 240	23.20 / 8.70			11.00 / 2.80	40250 / 20125	76 / 61	588	2018
CJTX-C-30/28-20 IE3	520	27.90	16.20	15.00	45600	78	644	2018	
CJTX-C-30/28-20-2V	520 / 260	31.72 / 11.75			15.00 / 3.80	45600 / 22800	78 / 63	616	2018
CJTX-C-30/28-25 IE3	550	35.10	20.30	18.50	49500	79	641	2018	
CJTX-C-30/28-25-2V	550 / 275	33.00 / 11.00			17.00 / 3.40	49500 / 24750	79 / 64	643	2018

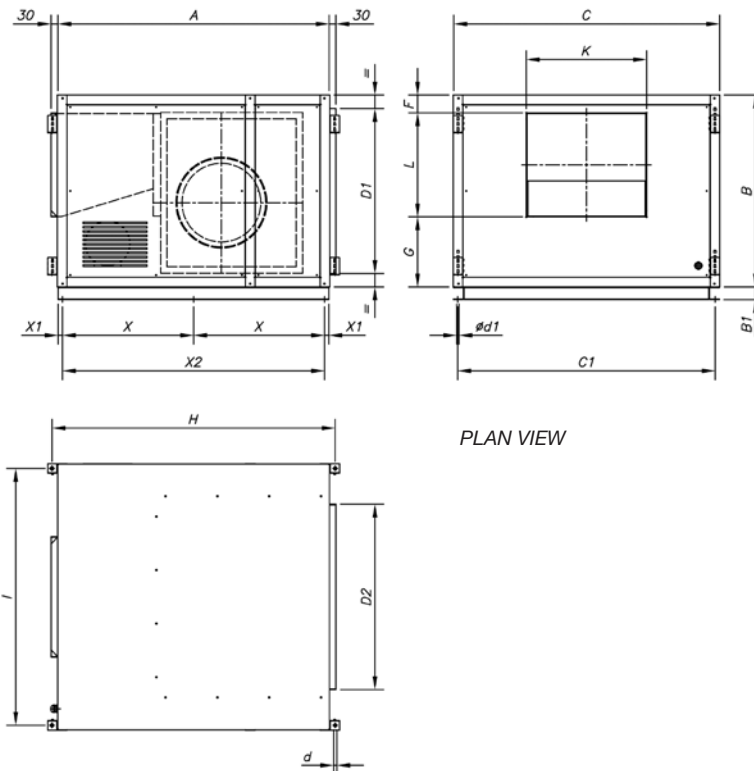


Erp. (Energy Related Products)

Information on Directive 2009/125/EC can be downloaded from the SODECA website or the QuickFan selector programme.

Dimensions mm

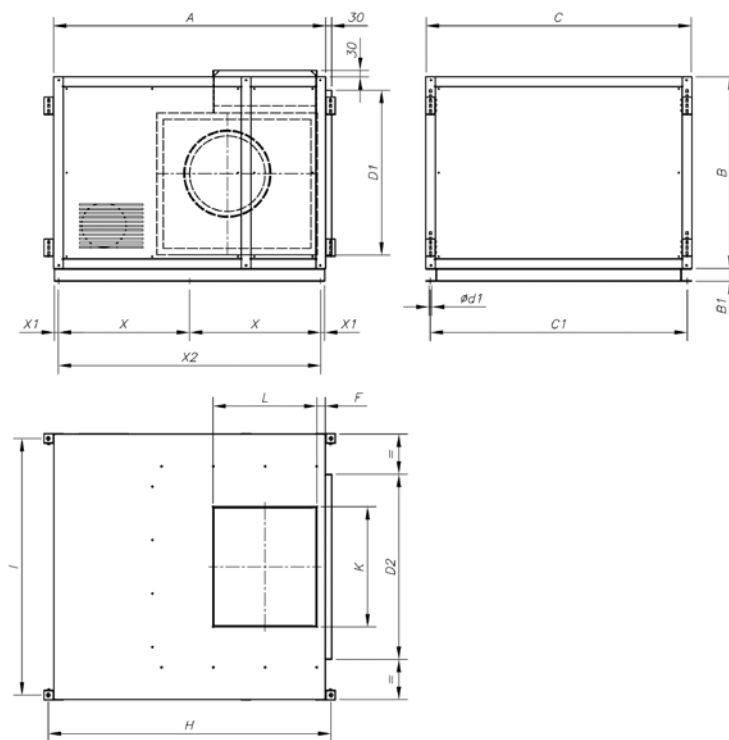
Standard supply horizontal impulsion (H): LG-90



	A	B	B1	C	C1	ød	ød1	D1	D2	F	G	H	I	K	L	X	X1	X2
CJTX-C-7/7	700	480	-	730	695	10.5	9	354	470	62	202	750	685	239	216	-	-	-
CJTX-C-9/9	785	592	-	759	716	10.5	9	466	490	92	230	835	714	305	270	-	-	-
CJTX-C-10/10	860	618	-	825	782	10.5	9	492	520	87	235	910	780	334	296	-	-	-
CJTX-C-12/12	970	680	-	945	902	10.5	9	554	620	80	250	1020	900	395	350	-	-	-
CJTX-C-15/15	1100	776	-	1100	1057	10.5	9	650	720	80	285	1150	1055	483	411	-	-	-
CJTX-C-18/18	1278	900	60	1250	1207	10.5	11	774	870	95	325	1328	1205	552	480	614.5	20	1229
CJTX-C-20/20	1495	1050	60	1474	1431	13	11	954	1100	122	347	1555	1419	611	611	722.5	20	1545
CJTX-C-22/22	1640	1180	60	1625	1582	13	11	1054	1250	125	350	1700	1570	665	705	795.5	20	1591
CJTX-C-25/25	1800	1300	60	1825	1782	13	11	1174	1450	125	369	1860	1770	775	806	875.5	20	1751
CJTX-C-30/28	2000	1525	60	2134	2091	13	11	1399	1760	118	465	2060	2079	900	942	975.5	20	1951

Dimensions mm

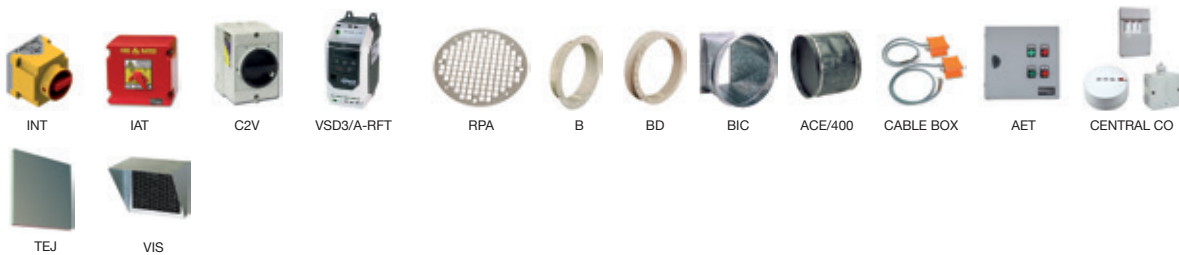
Supplied on request:
Vertical
outlet (V): LG-0



	A	B	B1	C	C1	ød	ød1	D1	D2	F	H	I	K	L	X	X1	X2
CJTX-C-7/7	700	480	-	730	695	10.5	9	354	470	165	750	685	238	210	-	-	-
CJTX-C-9/9	785	592	-	759	716	10.5	9	466	490	157	835	714	312	272	-	-	-
CJTX-C-10/10	860	618	-	825	782	10.5	9	492	520	135	910	780	333	300	-	-	-
CJTX-C-12/12	970	680	-	945	902	10.5	9	554	620	183	1020	900	397	355	-	-	-
CJTX-C-15/15	1100	776	-	1100	1057	10.5	9	650	720	197	1150	1055	479	421	-	-	-
CJTX-C-18/18	1278	900	60	1250	1207	10.5	11	774	870	281	1328	1205	550	495	614.5	20	1229
CJTX-C-20/20	1495	1050	60	1474	1431	13	11	954	1100	283	1555	1419	610	611	722.5	20	1545
CJTX-C-22/22	1640	1180	60	1625	1582	13	11	1054	1250	325	1700	1570	666	701	795.5	20	1591
CJTX-C-25/25	1800	1300	60	1825	1782	13	11	1174	1450	367	1860	1770	775	798	875.5	20	1751
CJTX-C-30/28	2000	1525	60	2134	2091	13	11	1399	1760	407	2060	2079	894	947	975.5	20	1951

Accessories

See accessories section

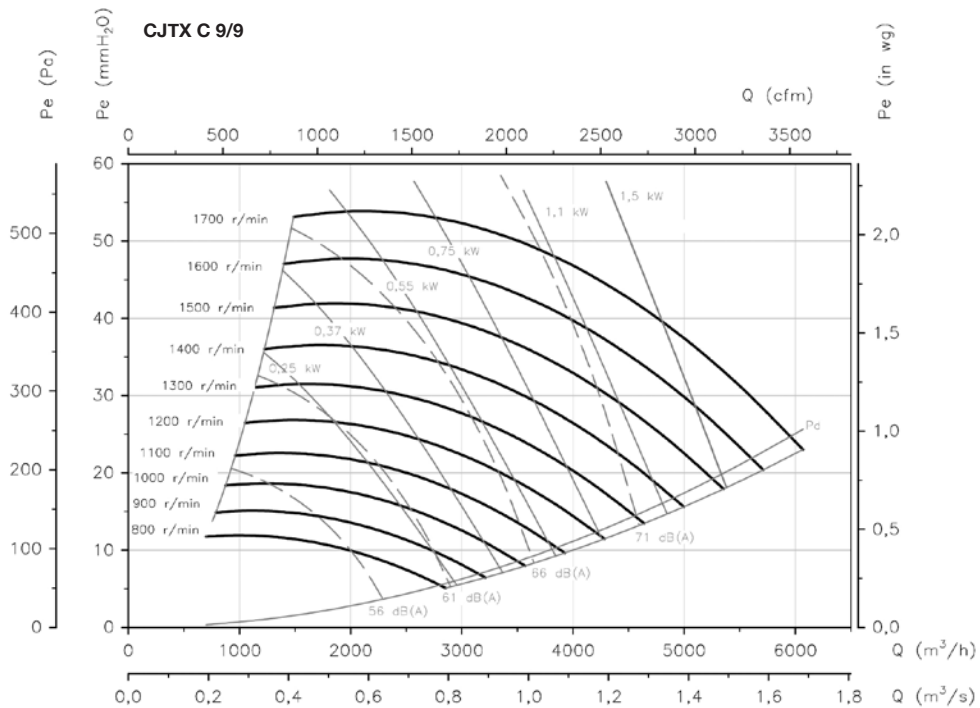
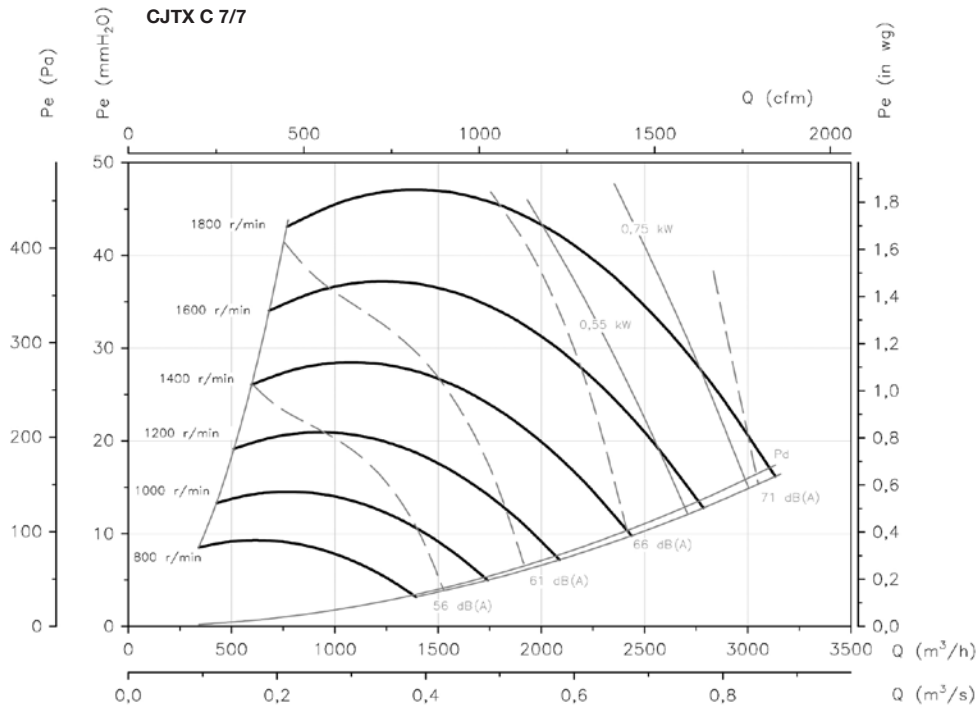


CENTRIFUGAL FANS AND IN-LINE DUCT EXTRACTOR FANS

Characteristic curves

Q= Flow rate in m³/h, m³/s and cfm.

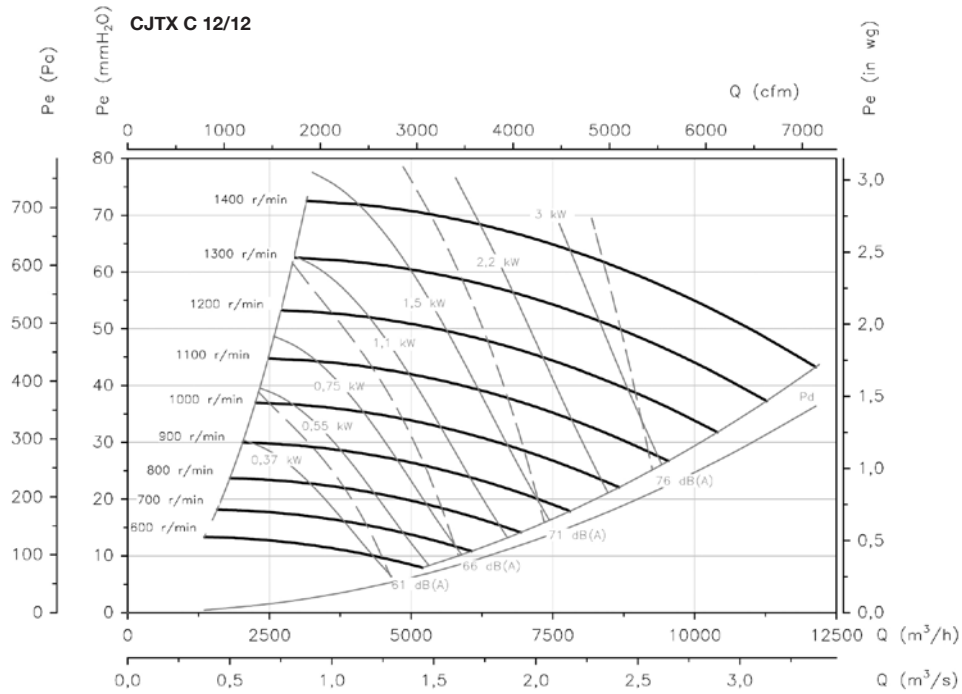
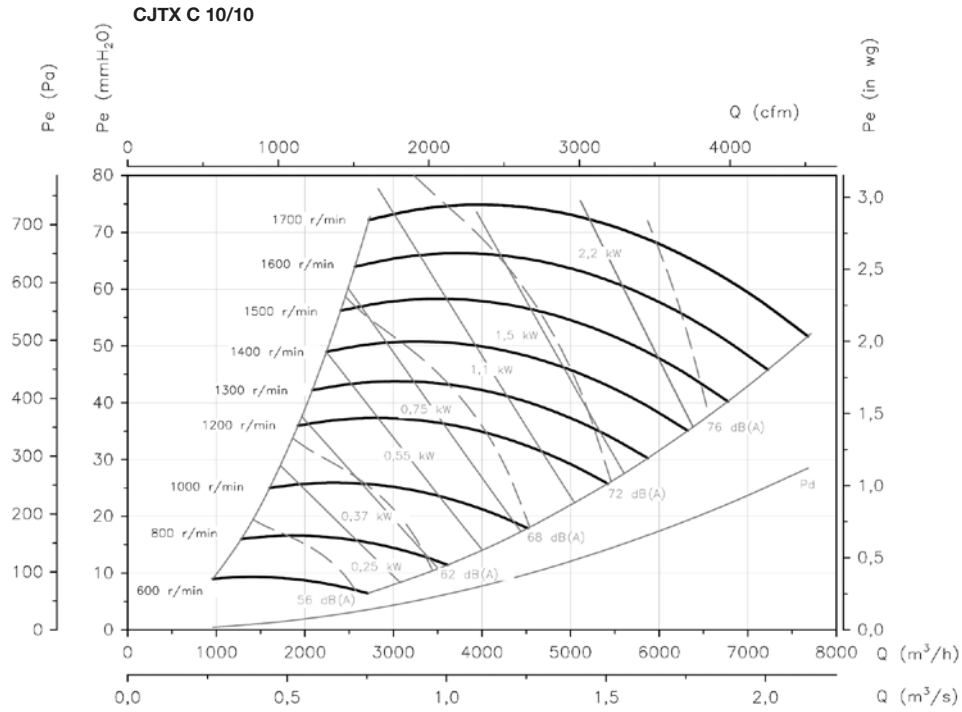
Pe= Static pressure in mm H₂O, Pa and inwg



Characteristic curves

Q= Flow rate in m³/h, m³/s and cfm.

Pe= Static pressure in mm H₂O, Pa and inwg

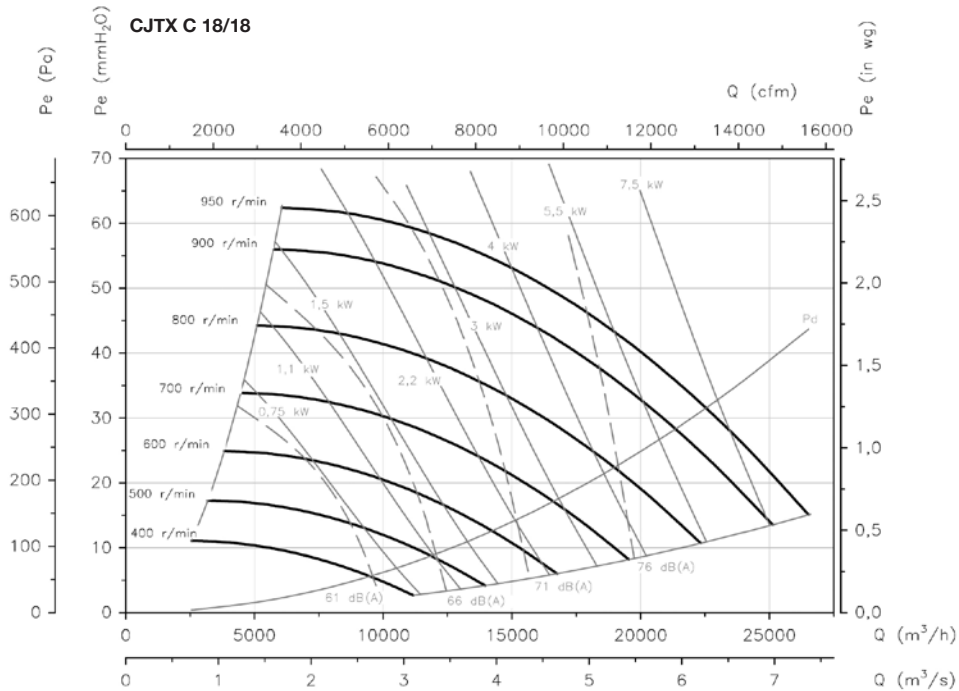
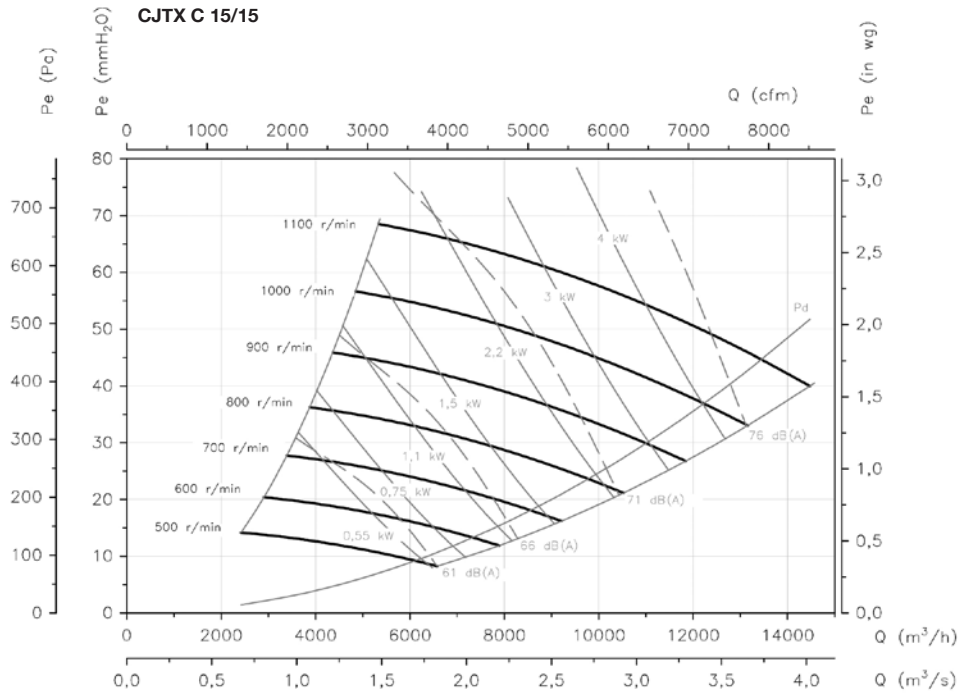


CENTRIFUGAL FANS AND IN-LINE DUCT EXTRACTOR FANS

Characteristic curves

Q= Flow rate in m³/h, m³/s and cfm.

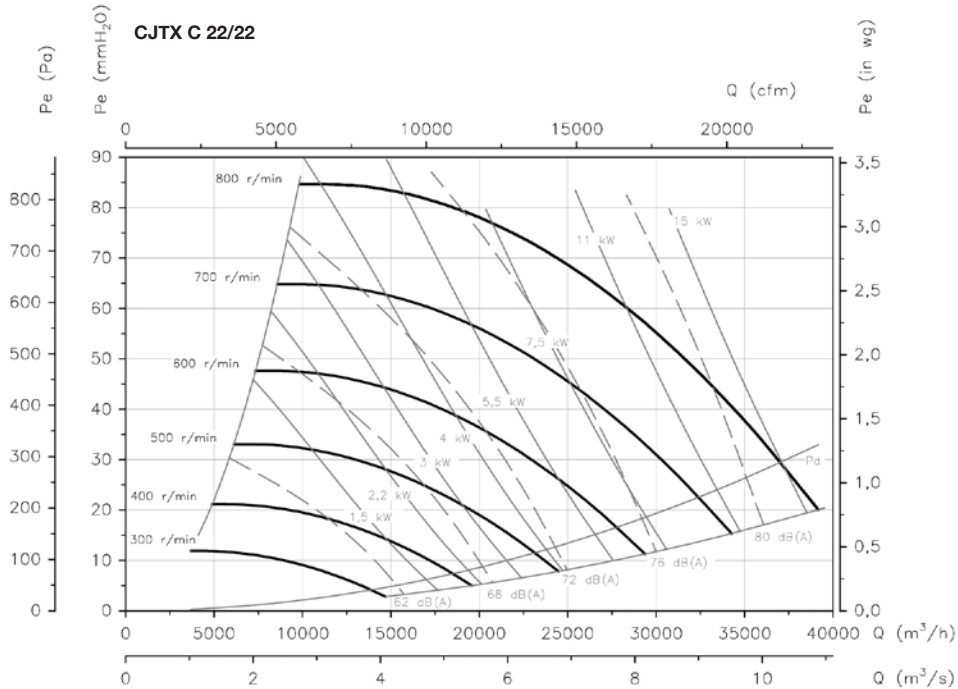
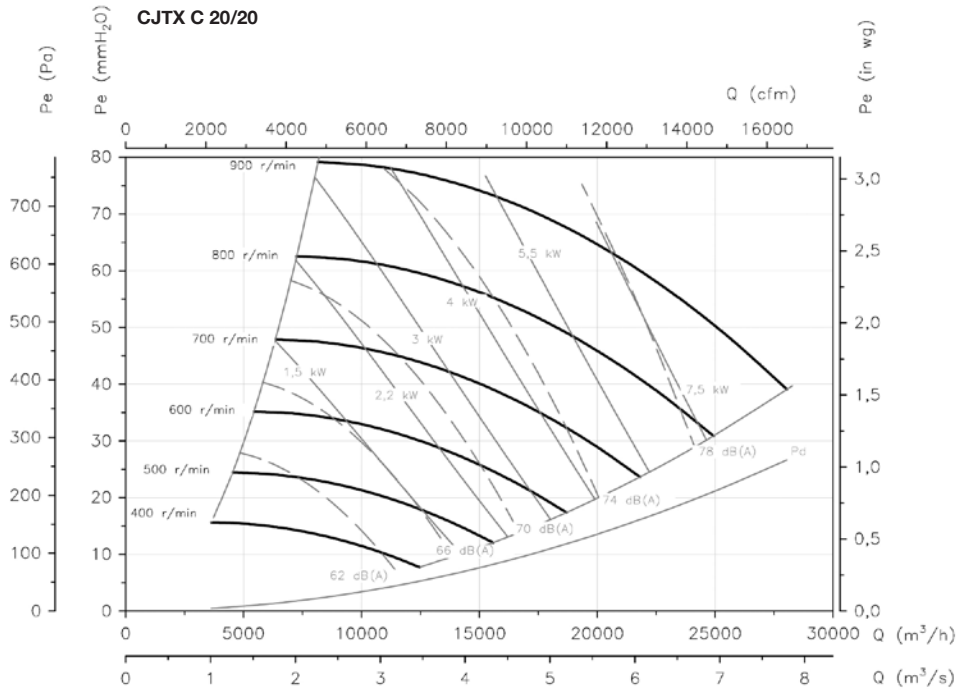
Pe= Static pressure in mm H₂O, Pa and inwg



Characteristic curves

Q= Flow rate in m³/h, m³/s and cfm.

Pe= Static pressure in mm H₂O, Pa and inwg

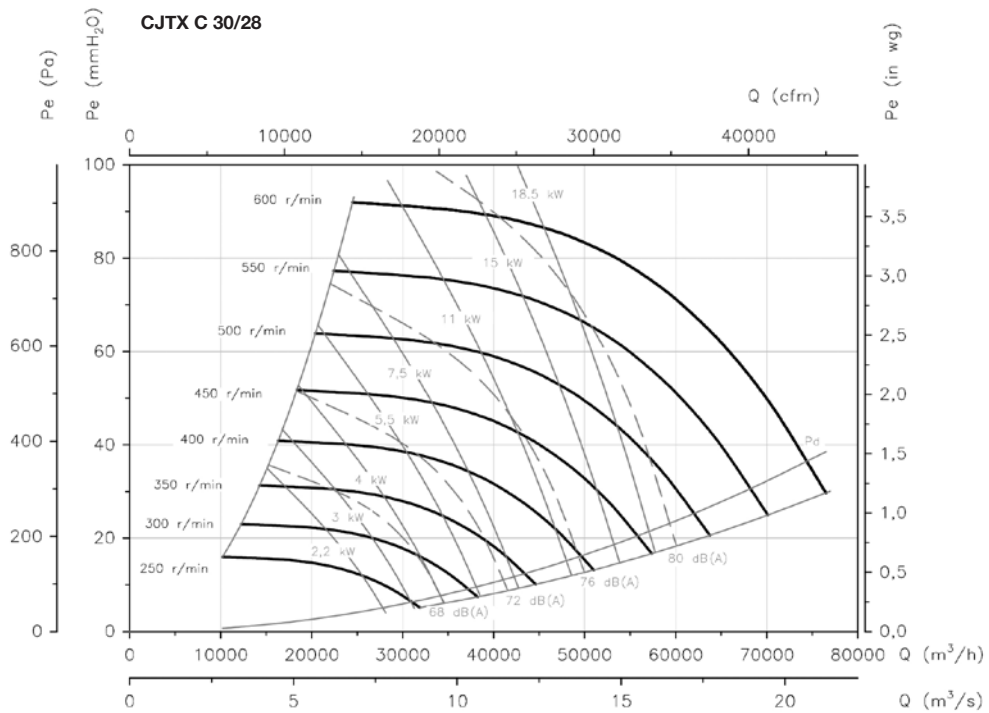
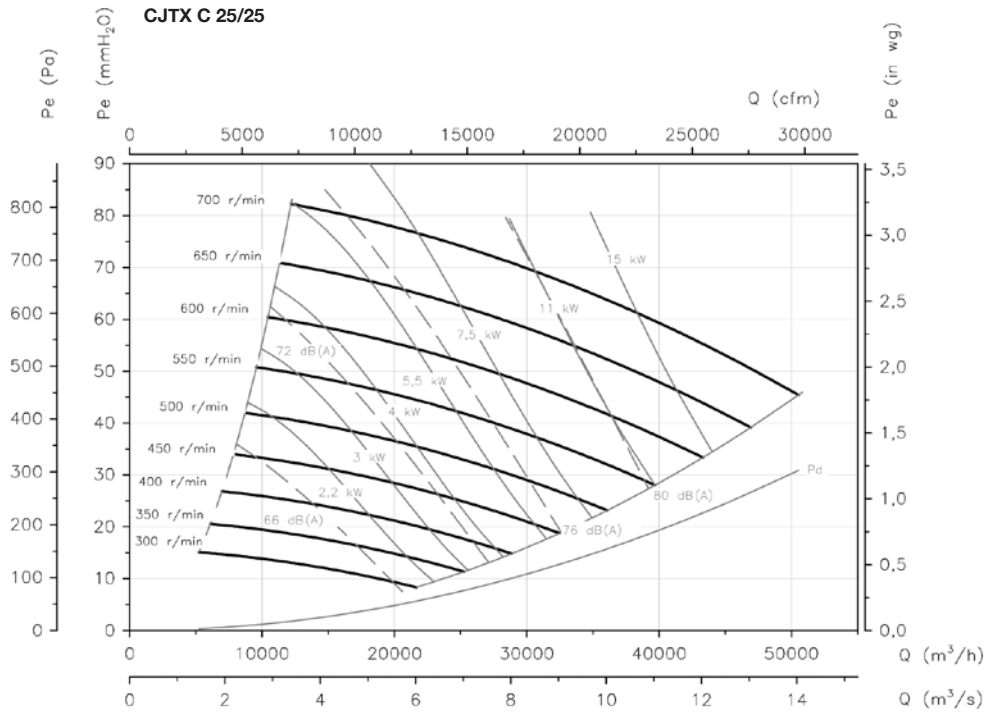


CENTRIFUGAL FANS AND IN-LINE DUCT EXTRACTOR FANS

Characteristic curves

Q= Flow rate in m³/h, m³/s and cfm.

Pe= Static pressure in mm H₂O, Pa and inwg



CDXR CDXRT CJDXR



CDXR: Belt-driven double-inlet centrifugal fans with shaft outlet on both sides and backward-curved impeller.
CDXRT: Belt-driven double-inlet centrifugal fans fitted with electric motors, a set of pulleys, belts, protectors and impellers with backward-curved impeller.
CJDXR: Ventilation units with backward-curved impeller, acoustic insulation and fitted with CDXR series fans mounted on rubber shock-absorbers.



CDXR



CDXRT



CJDXR

Fan:

- Galvanised sheet steel casing.
- Backward-curved impeller made of galvanised sheet steel.
- Galvanised sheet steel structure with thermal and acoustic insulation (CJDXR).
- Cable gland for cable inlet (CJDXR).

Motor:

- Class F motors with ball bearings and IP55 protection.
- Three-phase 230/400 V-50 Hz (up to 4 kW) and 400/690 V-50 Hz (powers higher than 4 kW).
- IE3 efficiency motors for powers equal to or greater than 0.75 kW except single-phase, 2-speed and 8-pole.
- Maximum temperature of air to be carried: -20 °C + 60 °C

Finish:

- Anti-corrosive finish on galvanised sheet steel.

On request:

- Different outlet nozzle positions.
- Special windings for different voltages.
- With 2-speed motors.

Order code

CDXR — 450



CDXR: Belt-driven double inlet centrifugal fans with shaft outlet and backward-curved impeller.

Impeller size mm

CDXRT — 450 — 3



CDXRT: Belt-driven double inlet centrifugal fans fitted with electric motors and impellers with backward-curved impeller.

Impeller size mm

Motor power (HP)

CJDXR: Ventilation units fitted with impeller with backward-curved blades.

Technical characteristics

Model	Speed	Max. installed power (kW)	Maximum flow rate m ³ /h	Air temperature (°C)		Weight (kg)	According to ErP
	(r/min)			min.	max.		
CDXR-200	4900	2.00	3970	-20	+60	10	2015
CDXR-250	4100	3.00	5740	-20	+60	18	2015
CDXR-315	3200	4.80	11870	-20	+60	33	2015
CDXR-355	2800	5.50	15270	-20	+60	43	2015
CDXR-400	2400	6.00	17250	-20	+60	51	2015
CDXR-450	2200	8.00	21890	-20	+60	68	2015
CDXR-500	2000	12.00	29050	-20	+60	84	2015
CDXR-560	1800	14.00	36000	-20	+60	142	2015
CDXR-630	1700	20.00	47480	-20	+60	168	2015
CDXR-710	1400	20.00	56000	-20	+60	223	2015
CDXR-800	1300	30.00	72880	-20	+60	300	2015
CDXR-900	1200	43.00	96670	-20	+60	482	2015
CDXR-1000	1100	55.00	117640	-20	+60	530	2015

CENTRIFUGAL FANS AND IN-LINE DUCT EXTRACTOR FANS

Technical characteristics

Model	Speed (r/min)	Maximum admissible current			Installed power (kW)	Maximum flow rate (m3/h)	Sound pressure level (dBA)	Air temperature (°C)		Approx. weight (kg)	According to ErP		Assembly
		230 V	400 V	690 V				min.	max.		CDXRT	CJDXR	
CDXRT CJDXR 200-0.33	2520	1.29	0.75		0.25	2040	68	-20	+60	31	*	2018	A
CDXRT CJDXR 200-0.5	2870	1.76	1.02		0.37	2330	71	-20	+60	32	*	2018	A
CDXRT CJDXR 200-0.75	3280	2.57	1.49		0.55	2660	75	-20	+60	35	2015	2018	A
CDXRT CJDXR 200-1 IE3	3640	2.80	1.61		0.75	2950	77	-20	+60	38	2015	2018	A
CDXRT CJDXR 200-1.5 IE3	4135	4.03	2.32		1.10	3350	80	-20	+60	45	2015	2018	A
CDXRT CJDXR 200-2 IE3	4590	5.34	3.07		1.50	3720	83	-20	+60	49	2015	2018	A
CDXRT CJDXR 200-3 IE3	4900	7.70	4.43		2.20	3970	84	-20	+60	54	2015	2018	A
CDXRT CJDXR 250-0.33	1760	1.29	0.75		0.25	2490	65	-20	+60	39	*	2018	A
CDXRT CJDXR 250-0.5	2005	1.76	1.02		0.37	2840	68	-20	+60	40	2015	2018	A
CDXRT CJDXR 250-0.75	2285	2.57	1.49		0.55	3240	71	-20	+60	43	2015	2018	A
CDXRT CJDXR 250-1 IE3	2535	2.80	1.61		0.75	3590	73	-20	+60	47	2015	2018	A
CDXRT CJDXR 250-1.5 IE3	2885	4.03	2.32		1.10	4080	77	-20	+60	53	2015	2018	A
CDXRT CJDXR 250-2 IE3	3200	5.34	3.07		1.50	4530	79	-20	+60	57	2015	2018	A
CDXRT CJDXR 250-3 IE3	3645	7.70	4.43		2.20	5160	83	-20	+60	62	2015	2018	A
CDXRT CJDXR 250-4 IE3	4055	10.00	5.77		3.00	5740	85	-20	+60	70	2015	2018	A
CDXRT CJDXR 315-0.75	1535	2.57	1.49		0.55	5690	63	-20	+60	61	2015	2018	A
CDXRT CJDXR 315-1 IE3	1700	2.80	1.61		0.75	6300	66	-20	+60	65	2015	2018	A
CDXRT CJDXR 315-1.5 IE3	1930	4.03	2.32		1.10	7170	69	-20	+60	72	2015	2018	A
CDXRT CJDXR 315-2 IE3	2145	5.34	3.07		1.50	7960	72	-20	+60	75	2015	2018	A
CDXRT CJDXR 315-3 IE3	2445	7.70	4.43		2.20	9060	75	-20	+60	80	2015	2018	A
CDXRT CJDXR 315-4 IE3	2720	10.00	5.77		3.00	10080	78	-20	+60	89	2015	2018	A
CDXRT CJDXR 315-5.5 IE3	3000	13.00	7.50		4.00	11130	80	-20	+60	104	2015	2018	B
CDXRT CJDXR 315-7.5 IE3	3200		10.10	5.86	5.50	11870	81	-20	+60	128	2015	2018	B
CDXRT CJDXR 355-0.75	1285	2.87	1.66		0.55	7000	64	-20	+60	77	2015	2018	A
CDXRT CJDXR 355-1 IE3	1425	2.82	1.62		0.75	7760	66	-20	+60	82	2015	2018	A
CDXRT CJDXR 355-1.5 IE3	1615	4.07	2.34		1.10	8820	69	-20	+60	92	2015	2018	A
CDXRT CJDXR 355-2 IE3	1795	5.48	3.15		1.50	9790	72	-20	+60	96	2015	2018	A
CDXRT CJDXR 355-3 IE3	2045	7.93	4.56		2.20	11150	75	-20	+60	105	2015	2018	A
CDXRT CJDXR 355-4 IE3	2285	10.70	6.15		3.00	12450	78	-20	+60	111	2015	2018	A
CDXRT CJDXR 355-5.5 IE3	2520	13.90	8.00		4.00	13740	80	-20	+60	123	2015	2018	B
CDXRT CJDXR 355-7.5 IE3	2800		10.30	5.97	5.50	15270	83	-20	+60	148	2015	2018	B
CDXRT CJDXR 400-1.5 IE3	1330	4.07	2.34		1.10	9600	66	-20	+60	101	2015	2018	A
CDXRT CJDXR 400-2 IE3	1475	5.48	3.15		1.50	10660	69	-20	+60	105	2015	2018	A
CDXRT CJDXR 400-3 IE3	1680	7.93	4.56		2.20	12140	72	-20	+60	114	2015	2018	A
CDXRT CJDXR 400-4 IE3	1870	10.70	6.15		3.00	13510	75	-20	+60	120	2015	2018	A
CDXRT CJDXR 400-5.5 IE3	2065	13.90	8.00		4.00	14910	77	-20	+60	132	2015	2018	B
CDXRT CJDXR 400-7.5 IE3	2305		10.30	5.97	5.50	16640	80	-20	+60	157	2015	2018	B
CDXRT CJDXR 400-10 IE3	2390		13.90	8.06	7.50	17250	81	-20	+60	166	2015	2018	B
CDXRT CJDXR 450-1.5 IE3	1105	4.07	2.34		1.10	11050	64	-20	+60	120	2015	2018	A
CDXRT CJDXR 450-2 IE3	1225	5.48	3.15		1.50	12250	67	-20	+60	123	2015	2018	A
CDXRT CJDXR 450-3 IE3	1400	7.93	4.56		2.20	14000	70	-20	+60	132	2015	2018	A
CDXRT CJDXR 450-4 IE3	1555	10.70	6.15		3.00	15550	73	-20	+60	138	2015	2018	A
CDXRT CJDXR 450-5.5 IE3	1720	13.90	8.00		4.00	17200	75	-20	+60	150	2015	2018	B
CDXRT CJDXR 450-7.5 IE3	1915		10.30	5.97	5.50	19150	77	-20	+60	176	2015	2018	B
CDXRT CJDXR 450-10 IE3	2125		13.90	8.06	7.50	21250	80	-20	+60	185	2015	2018	B
CDXRT CJDXR 450-15 IE3	2190		21.40	12.40	11.00	21890	80	-20	+60	236	2015	2018	B
CDXRT CJDXR 500-1.5 IE3	910	4.07	2.34		1.10	12840	62	-20	+60	140	2015	2018	A
CDXRT CJDXR 500-2 IE3	1015	5.48	3.15		1.50	14250	65	-20	+60	143	2015	2018	A
CDXRT CJDXR 500-3 IE3	1155	7.93	4.56		2.20	16240	68	-20	+60	152	2015	2018	A
CDXRT CJDXR 500-4 IE3	1285	10.70	6.15		3.00	18060	71	-20	+60	158	2015	2018	A
CDXRT CJDXR 500-5.5 IE3	1415	13.90	8.00		4.00	19940	73	-20	+60	170	2015	2018	B
CDXRT CJDXR 500-7.5 IE3	1580		10.30	5.97	5.50	22250	76	-20	+60	196	2015	2018	B
CDXRT CJDXR 500-10 IE3	1755		13.90	8.06	7.50	24680	79	-20	+60	205	2015	2018	B
CDXRT CJDXR 500-15 IE3	1995		21.40	12.40	11.00	28040	82	-20	+60	256	2015	2018	B
CDXRT CJDXR 500-20 IE3	2065		28.70	16.60	15.00	29050	83	-20	+60	251	2015	2018	B
CDXRT CJDXR 560-2 IE3	840	5.48	3.15		1.50	16760	56	-20	+60	212	2015	2018	A
CDXRT CJDXR 560-3 IE3	955	7.93	4.56		2.20	19090	59	-20	+60	221	2015	2018	A
CDXRT CJDXR 560-4 IE3	1060	10.70	6.15		3.00	21230	62	-20	+60	227	2015	2018	A
CDXRT CJDXR 560-5.5 IE3	1170	13.90	8.00		4.00	23450	64	-20	+60	239	2015	2018	B
CDXRT CJDXR 560-7.5 IE3	1310		10.30	5.97	5.50	26170	67	-20	+60	265	2015	2018	B

Technical characteristics

Model	Speed (r/min)	Maximum admissible current			Installed power (kW)	Maximum flow rate (m ³ /h)	Sound pressure level (dBA)	Air temperature (°C)		Approx. weight (kg)	According to ErP	According to ErP	Assembly
		230 V	400 V	690 V				min.	max.		CDXRT	CJDXR	
CDXRT CJDXR 560-10 IE3	1450		13.90	8.06	7.50	29020	69	-20	+60	274	2015	2018	B
CDXRT CJDXR 560-15 IE3	1650		21.40	12.40	11.00	32970	73	-20	+60	325	2015	2018	B
CDXRT CJDXR 560-20 IE3	1800		28.70	16.60	15.00	36000	75	-20	+60	320	2015	2018	B
CDXRT CJDXR 630-2 IE3	680	6.43	3.70		1.50	19160	58	-20	+60	251	2015	2018	A
CDXRT CJDXR 630-3 IE3	775	9.08	5.22		2.20	21810	61	-20	+60	261	2015	2018	A
CDXRT CJDXR 630-4 IE3	860	12.00	6.91		3.00	24300	64	-20	+60	281	2015	2018	A
CDXRT CJDXR 630-5.5 IE3	950	15.60	8.99		4.00	26790	66	-20	+60	291	2015	2018	B
CDXRT CJDXR 630-7.5 IE3	1060		11.20	6.49	5.50	29900	69	-20	+60	300	2015	2018	B
CDXRT CJDXR 630-10 IE3	1175		14.80	8.58	7.50	33140	72	-20	+60	320	2015	2018	B
CDXRT CJDXR 630-15 IE3	1335		22.00	12.80	11.00	37660	75	-20	+60	355	2015	2018	B
CDXRT CJDXR 630-20 IE3	1480		28.00	16.20	15.00	41770	78	-20	+60	409	2015	2018	B
CDXRT CJDXR 630-25 IE3	1590		35.00	20.30	18.50	44800	79	-20	+60	427	2015	2018	B
CDXRT CJDXR 630-30 IE3	1685		41.60	24.10	22.00	47480	81	-20	+60	436	2015	2018	B
CDXRT CJDXR 710-3 IE3	645	9.08	5.22		2.20	25880	59	-20	+60	324	2015	2018	A
CDXRT CJDXR 710-4 IE3	720	12.00	6.91		3.00	28790	62	-20	+60	344	2015	2018	A
CDXRT CJDXR 710-5.5 IE3	795	15.60	8.99		4.00	31790	64	-20	+60	354	2015	2018	B
CDXRT CJDXR 710-7.5 IE3	885		11.20	6.49	5.50	35470	67	-20	+60	364	2015	2018	B
CDXRT CJDXR 710-10 IE3	985		14.80	8.58	7.50	39330	70	-20	+60	384	2015	2018	B
CDXRT CJDXR 710-15 IE3	1115		22.00	12.80	11.00	44700	73	-20	+60	419	2015	2018	B
CDXRT CJDXR 710-20 IE3	1240		28.00	16.20	15.00	49570	76	-20	+60	473	2015	2018	B
CDXRT CJDXR 710-25 IE3	1330		35.00	20.30	18.50	53150	77	-20	+60	491	2015	2018	B
CDXRT CJDXR 710-30 IE3	1400		41.60	24.10	22.00	56000	79	-20	+60	500	2015	2018	B
CDXRT - 800-4 IE3	595	12.00	6.91		3.00	33660	60	-20	+60	457	2015	-	A
CDXRT - 800-5.5 IE3	655	15.60	8.99		4.00	37170	62	-20	+60	467	2015	-	B
CDXRT - 800-7.5 IE3	735		11.20	6.49	5.50	41460	65	-20	+60	477	2015	-	B
CDXRT - 800-10 IE3	815		14.80	8.58	7.50	46060	68	-20	+60	497	2015	-	B
CDXRT - 800-15 IE3	925		22.00	12.80	11.00	52310	71	-20	+60	532	2015	-	B
CDXRT - 800-20 IE3	1025		28.00	16.20	15.00	57960	74	-20	+60	586	2015	-	B
CDXRT - 800-25 IE3	1100		35.00	20.30	18.50	62170	75	-20	+60	605	2015	-	B
CDXRT - 800-30 IE3	1160		41.60	24.10	22.00	65750	77	-20	+60	614	2015	-	B
CDXRT - 800-40 IE3	1290		55.40	32.10	30.00	72880	79	-20	+60	798	2015	-	B
CDXRT - 900-5.5 IE3	540	15.60	8.99		4.00	43370	60	-20	+60	667	2015	-	B
CDXRT - 900-7.5 IE3	600		11.20	6.49	5.50	48200	62	-20	+60	677	2015	-	B
CDXRT - 900-10 IE3	665		14.80	8.58	7.50	53540	65	-20	+60	697	2015	-	B
CDXRT - 900-15 IE3	760		22.00	12.80	11.00	61230	69	-20	+60	732	2015	-	B
CDXRT - 900-20 IE3	840		28.00	16.20	15.00	67560	71	-20	+60	787	2015	-	B
CDXRT - 900-25 IE3	895		35.00	20.30	18.50	72090	72	-20	+60	807	2015	-	B
CDXRT - 900-30 IE3	955		41.60	24.10	22.00	77020	74	-20	+60	816	2015	-	B
CDXRT - 900-40 IE3	1055		55.40	32.10	30.00	84890	77	-20	+60	999	2015	-	B
CDXRT - 900-50 IE3	1130		67.20	39.00	37.00	91040	78	-20	+60	1057	2015	-	B
CDXRT - 900-60 IE3	1200		84.40	48.90	45.00	96670	80	-20	+60	1270	2015	-	B
CDXRT - 1000-7.5 IE3	520		11.20	6.49	5.50	55400	60	-20	+60	737	2015	-	B
CDXRT - 1000-10 IE3	575		14.80	8.58	7.50	61300	63	-20	+60	757	2015	-	B
CDXRT - 1000-15 IE3	650		22.00	12.80	11.00	69640	66	-20	+60	792	2015	-	B
CDXRT - 1000-20 IE3	720		28.00	16.20	15.00	77240	69	-20	+60	847	2015	-	B
CDXRT - 1000-25 IE3	775		35.00	20.30	18.50	82870	70	-20	+60	865	2015	-	B
CDXRT - 1000-30 IE3	820		41.60	24.10	22.00	87820	72	-20	+60	874	2015	-	B
CDXRT - 1000-40 IE3	910		55.40	32.10	30.00	97310	74	-20	+60	1058	2015	-	B
CDXRT - 1000-50 IE3	975		67.20	39.00	37.00	104410	76	-20	+60	1116	2015	-	B
CDXRT - 1000-60 IE3	1040		84.40	48.90	45.00	111450	77	-20	+60	1329	2015	-	B
CDXRT - 1000-75 IE3	1100		103.00	59.70	55.00	117640	79	-20	+60	1354	2015	-	B

* Equipment not covered by Directive 2009/125/EC



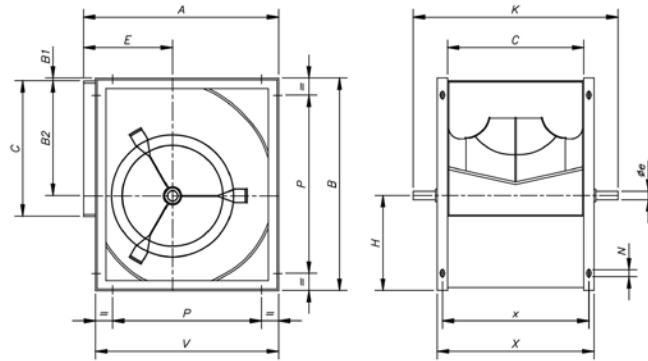
Erp. (Energy Related Products)

Information on Directive 2009/125/EC can be downloaded from the SODECA website or the QuickFan selector programme.

CENTRIFUGAL FANS AND IN-LINE DUCT EXTRACTOR FANS

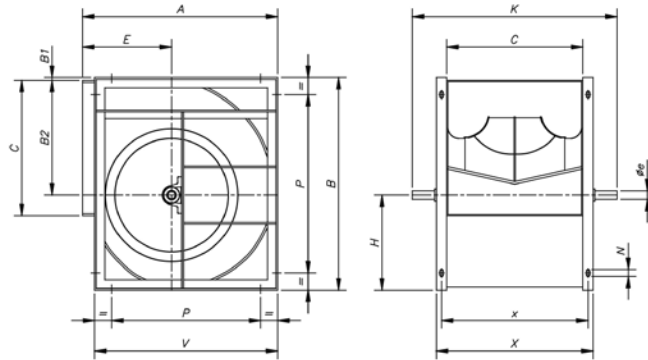
Dimensions mm

CDXR_200...250



	A	B	B1	B2	C	E	øe	H	K	N	P	V	X	x
CDXR-200	343	370	3	215	256	164	20	152	420	11x16	224	306	306	281
CDXR-250	419	461	4	270	322	195	20	187	490	11x16	224	384	372	347

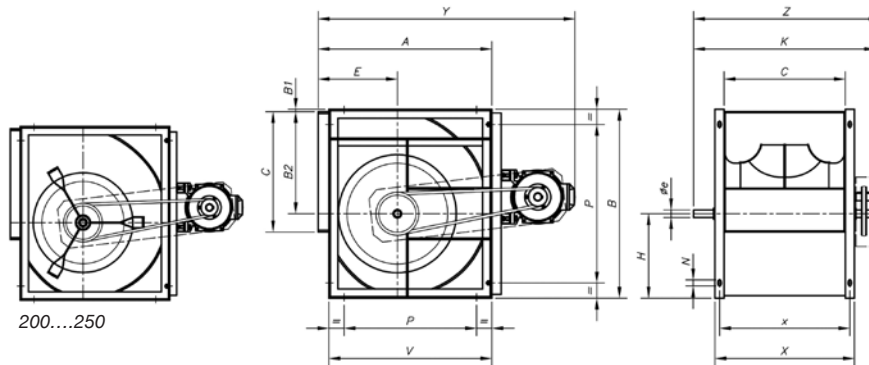
CDXR_315...1000



	A	B	B1	B2	C	E	øe	H	K	N	P	V	X	x
CDXR-315	518	578	4	340	404	236	25	234	640	13x18	280	480	464	434
CDXR-355	578	655	6	383	453	261	30	266	700	13x18	355	548	533	493
CDXR-400	651	736	4.5	431.5	507	290	30	300	760	13x18	355	613	587	547
CDXR-450	728	827	5	486	569	322	35	336	845	13x18	530	681	649	609
CDXR-500	800	918	5	538	638	352	35	375	915	13x18	530	750	718	678
CDXR-560	893	1030	8	602	715	390	40	420	1000	13x18	530	845	815	765
CDXR-630	999	1157	7	678.5	801	434	45	471.5	1090	13x18	530	946	901	851
CDXR-710	1121	1303	7	765	898	485	50	531	1255	17x22	630	1058	998	948
CDXR-800	1250	1468	7	862	1007	535	60	599	1450	17x22	710	1181	1107	1057
CDXR-900	1408	1648	7	971	1130	604	65	670	1570	17x22	800	1319	1250	1180
CDXR-1000	1541	1810	9	765	1267	657	65	1036	1700	17x22	900	1462	1387	1317

Dimensions mm

**CDXRT
Assembly A
Standard
supply RD 90**



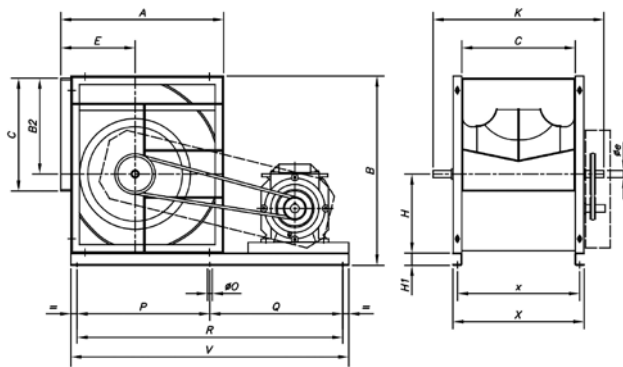
	A	B	B1	B2	C	E	øe	H	K	N	P	V	X	x	Y	Z
CDXRT-200-0.33	343	370	3	215	256	164	20	152	420	11x16	224	306	306	281	595	500
CDXRT-200-0.5	343	370	3	215	256	164	20	152	420	11x16	224	306	306	281	603	500
CDXRT-200-0.75	343	370	3	215	256	164	20	152	420	11x16	224	306	306	281	603	500
CDXRT-200-1	343	370	3	215	256	164	20	152	420	11x16	224	306	306	281	630	500
CDXRT-200-1.5	343	370	3	215	256	164	20	152	420	11x16	224	306	306	281	630	500
CDXRT-200-2	343	370	3	215	256	164	20	152	420	11x16	224	306	306	281	649	500
CDXRT-200-3	343	370	3	215	256	164	20	152	420	11x16	224	306	306	281	649	500
CDXRT-250-0.33	419	461	4	270	322	195	20	187	490	11x16	224	384	372	347	679	570
CDXRT-250-0.5	419	461	4	270	322	195	20	187	490	11x16	224	384	372	347	679	570
CDXRT-250-0.75	419	461	4	270	322	195	20	187	490	11x16	224	384	372	347	706	570
CDXRT-250-1	419	461	4	270	322	195	20	187	490	11x16	224	384	372	347	706	570
CDXRT-250-1.5	419	461	4	270	322	195	20	187	490	11x16	224	384	372	347	725	570
CDXRT-250-2	419	461	4	270	322	195	20	187	490	11x16	224	384	372	347	725	570
CDXRT-250-3	419	461	4	270	322	195	20	187	490	11x16	224	384	372	347	745	570
CDXRT-250-4	419	461	4	270	322	195	20	187	490	11x16	224	384	372	347	745	570

	A	B	B1	B2	C	E	øe	H	K	N	P	V	X	x	Y	Z
CDXRT-315-0.75	518	578	4	340	404	236	25	234	640	13x18	280	480	464	434	805	720
CDXRT-315-1	518	578	4	340	404	236	25	234	640	13x18	280	480	464	434	805	720
CDXRT-315-1.5	518	578	4	340	404	236	25	234	640	13x18	280	480	464	434	824	720
CDXRT-315-2	518	578	4	340	404	236	25	234	640	13x18	280	480	464	434	824	720
CDXRT-315-3	518	578	4	340	404	236	25	234	640	13x18	280	480	464	434	844	720
CDXRT-315-4	518	578	4	340	404	236	25	234	640	13x18	280	480	464	434	844	720
CDXRT-355-0.75	578	655	6	383	453	261	30	266	700	13x18	355	548	533	493	865	780
CDXRT-355-1	578	655	6	383	453	261	30	266	700	13x18	355	548	533	493	865	780
CDXRT-355-1.5	578	655	6	383	453	261	30	266	700	13x18	355	548	533	493	884	780
CDXRT-355-2	578	655	6	383	453	261	30	266	700	13x18	355	548	533	493	884	780
CDXRT-355-3	578	655	6	383	453	261	30	266	700	13x18	355	548	533	493	904	780
CDXRT-355-4	578	655	6	383	453	261	30	266	700	13x18	355	548	533	493	904	780
CDXRT-400-1.5	651	736	4.5	431.5	507	290	30	300	760	13x18	355	613	587	547	957	840
CDXRT-400-2	651	736	4.5	431.5	507	290	30	300	760	13x18	355	613	587	547	957	840
CDXRT-400-3	651	736	4.5	431.5	507	290	30	300	760	13x18	355	613	587	547	977	840
CDXRT-400-4	651	736	4.5	431.5	507	290	30	300	760	13x18	355	613	587	547	977	840
CDXRT-450-1.5	728	827	5	486	569	322	35	336	845	13x18	530	681	649	609	1034	925
CDXRT-450-2	728	827	5	486	569	322	35	336	845	13x18	530	681	649	609	1034	925
CDXRT-450-3	728	827	5	486	569	322	35	336	845	13x18	530	681	649	609	1054	925
CDXRT-450-4	728	827	5	486	569	322	35	336	845	13x18	530	681	649	609	1054	925
CDXRT-500-1.5	800	918	5	538	638	352	35	375	915	13x18	530	750	718	678	1106	995
CDXRT-500-2	800	918	5	538	638	352	35	375	915	13x18	530	750	718	678	1106	995
CDXRT-500-3	800	918	5	538	638	352	35	375	915	13x18	530	750	718	678	1126	995
CDXRT-500-4	800	918	5	538	638	352	35	375	915	13x18	530	750	718	678	1126	995
CDXRT-560-2	893	1030	8	602	715	390	40	420	1000	13x18	530	845	815	765	1200	1080
CDXRT-560-3	893	1030	8	602	715	390	40	420	1000	13x18	530	845	815	765	1220	1080
CDXRT-560-4	893	1030	8	602	715	390	40	420	1000	13x18	530	845	815	765	1220	1080
CDXRT-630-2	999	1157	7	678.5	801	434	45	471.5	1090	13x18	530	946	901	851	1325	1170
CDXRT-630-3	999	1157	7	678.5	801	434	45	471.5	1090	13x18	530	946	901	851	1325	1170
CDXRT-630-4	999	1157	7	678.5	801	434	45	471.5	1090	13x18	530	946	901	851	1325	1170
CDXRT-710-3	1121	1303	7	765	898	485	50	531	1255	17x22	630	1058	998	948	1447	1335
CDXRT-710-4	1121	1303	7	765	898	485	50	531	1255	17x22	630	1058	998	948	1447	1335
CDXRT-800-4	1250	1468	7	862	1007	535	60	599	1450	17x22	710	1171	1107	1057	1626	1530

CENTRIFUGAL FANS AND IN-LINE DUCT EXTRACTOR FANS

Dimensions mm

**CDXRT
Assembly B
Standard
supply RD 90**

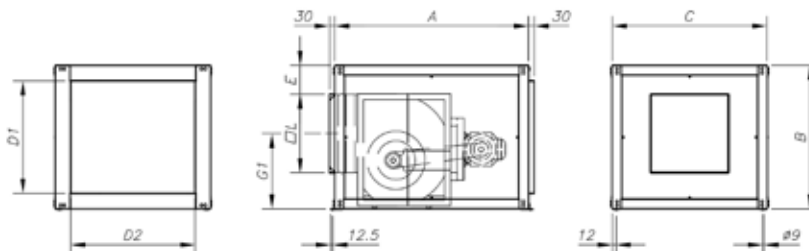


	A	B	B2	C	E	øe	H	H1	K	øO	P	Q	R	V	x	X
CDXRT-315-5.5	518	638	340	404	236	25	234	60	640	8	-	-	860	950	434	464
CDXRT-315-7.5	518	638	340	404	236	25	234	60	640	8	-	-	860	950	434	464
CDXRT-355-5.5	578	715	383	453	261	30	266	60	700	8	-	-	1020	1110	493	533
CDXRT-355-7.5	578	715	383	453	261	30	266	60	700	8	-	-	1020	1110	493	533
CDXRT-400-5.5	651	796	431.5	507	290	30	300	60	760	10	-	-	1120	1210	547	587
CDXRT-400-7.5	651	796	431.5	507	290	30	300	60	760	10	-	-	1120	1210	547	587
CDXRT-400-10	651	796	431.5	507	290	30	300	60	760	10	-	-	1120	1210	547	587
CDXRT-450-5.5	728	887	486	569	322	35	336	60	845	10	-	-	1240	1330	609	649
CDXRT-450-7.5	728	887	486	569	322	35	336	60	845	10	-	-	1240	1330	609	649
CDXRT-450-10	728	887	486	569	322	35	336	60	845	10	-	-	1240	1330	609	649
CDXRT-450-15	728	887	486	569	322	35	336	60	845	10	-	-	1240	1330	609	649
CDXRT-500-5.5	800	978	538	638	352	35	375	60	915	10	670	670	1340	1430	678	718
CDXRT-500-7.5	800	978	538	638	352	35	375	60	915	10	670	670	1340	1430	678	718
CDXRT-500-10	800	978	538	638	352	35	375	60	915	10	670	670	1340	1430	678	718
CDXRT-500-15	800	978	538	638	352	35	375	60	915	10	670	670	1340	1430	678	718
CDXRT-500-20	800	978	538	638	352	35	375	60	915	10	670	670	1340	1430	678	718
CDXRT-560-5.5	893	1090	602	715	390	40	420	60	1000	10	745	745	1490	1580	765	815
CDXRT-560-7.5	893	1090	602	715	390	40	420	60	1000	10	745	745	1490	1580	765	815
CDXRT-560-10	893	1090	602	715	390	40	420	60	1000	10	745	745	1490	1580	765	815
CDXRT-560-15	893	1090	602	715	390	40	420	60	1000	10	745	745	1490	1580	765	815
CDXRT-560-20	893	1090	602	715	390	40	420	60	1000	10	745	745	1490	1580	765	815
CDXRT-630-5.5	999	1217	678.5	801	434	45	471.5	60	1090	10	820	790	1610	1700	851	901
CDXRT-630-7.5	999	1217	678.5	801	434	45	471.5	60	1090	10	820	790	1610	1700	851	901
CDXRT-630-10	999	1217	678.5	801	434	45	471.5	60	1090	10	820	790	1610	1700	851	901
CDXRT-630-15	999	1217	678.5	801	434	45	471.5	60	1090	10	820	790	1610	1700	851	901
CDXRT-630-20	999	1217	678.5	801	434	45	471.5	60	1090	10	820	790	1610	1700	851	901
CDXRT-630-25	999	1217	678.5	801	434	45	471.5	60	1090	10	820	790	1610	1700	851	901
CDXRT-630-30	999	1217	678.5	801	434	45	471.5	60	1090	10	820	790	1610	1700	851	901
CDXRT-710-5.5	1121	1383	765	898	485	50	531	80	1255	10	955	955	1910	2000	948	998
CDXRT-710-7.5	1121	1383	765	898	485	50	531	80	1255	10	955	955	1910	2000	948	998
CDXRT-710-10	1121	1383	765	898	485	50	531	80	1255	10	955	955	1910	2000	948	998
CDXRT-710-15	1121	1383	765	898	485	50	531	80	1255	10	955	955	1910	2000	948	998
CDXRT-710-20	1121	1383	765	898	485	50	531	80	1255	10	955	955	1910	2000	948	998
CDXRT-710-25	1121	1383	765	898	485	50	531	80	1255	10	955	955	1910	2000	948	998
CDXRT-710-30	1121	1383	765	898	485	50	531	80	1255	10	955	955	1910	2000	948	998
CDXRT-800-5.5	1250	1548	862	1007	535	60	599	80	1450	13	1106	1004	2110	2200	1057	1107
CDXRT-800-7.5	1250	1548	862	1007	535	60	599	80	1450	13	1106	1004	2110	2200	1057	1107
CDXRT-800-10	1250	1548	862	1007	535	60	599	80	1450	13	1106	1004	2110	2200	1057	1107
CDXRT-800-15	1250	1548	862	1007	535	60	599	80	1450	13	1106	1004	2110	2200	1057	1107
CDXRT-800-20	1250	1548	862	1007	535	60	599	80	1450	13	1106	1004	2110	2200	1057	1107
CDXRT-800-25	1250	1548	862	1007	535	60	599	80	1450	13	1106	1004	2110	2200	1057	1107
CDXRT-800-30	1250	1548	862	1007	535	60	599	80	1450	13	1106	1004	2110	2200	1057	1107
CDXRT-800-40	1250	1548	862	1007	535	60	599	80	1450	13	1106	1004	2110	2200	1057	1107
CDXRT-900-5.5	1408	1748	971	1130	604	65	670	100	1570	13	1244	1066	2310	2400	1180	1250
CDXRT-900-7.5	1408	1748	971	1130	604	65	670	100	1570	13	1244	1066	2310	2400	1180	1250
CDXRT-900-10	1408	1748	971	1130	604	65	670	100	1570	13	1244	1066	2310	2400	1180	1250
CDXRT-900-15	1408	1748	971	1130	604	65	670	100	1570	13	1244	1066	2310	2400	1180	1250
CDXRT-900-20	1408	1748	971	1130	604	65	670	100	1570	13	1244	1066	2310	2400	1180	1250
CDXRT-900-25	1408	1748	971	1130	604	65	670	100	1570	13	1244	1066	2310	2400	1180	1250

Dimensions mm

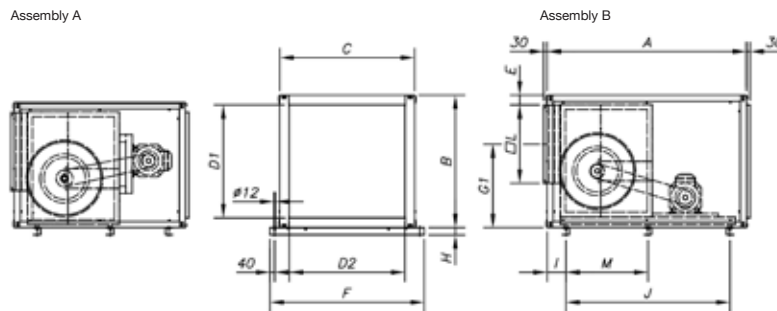
	A	B	B2	C	E	øe	H	H1	K	øO	P	Q	R	V	x	X
CDXRT-900-30	1408	1748	971	1130	604	65	670	100	1570	13	1244	1066	2310	2400	1180	1250
CDXRT-900-40	1408	1748	971	1130	604	65	670	100	1570	13	1244	1066	2310	2400	1180	1250
CDXRT-900-50	1408	1748	971	1130	604	65	670	100	1570	13	1244	1066	2310	2400	1180	1250
CDXRT-900-60	1408	1748	971	1130	604	65	670	100	1570	13	1244	1066	2310	2400	1180	1250
CDXRT-1000-7.5	1541	1910	1066	1267	657	65	735	100	1700	13	1387	1123	2510	2600	1317	1387
CDXRT-1000-10	1541	1910	1066	1267	657	65	735	100	1700	13	1387	1123	2510	2600	1317	1387
CDXRT-1000-15	1541	1910	1066	1267	657	65	735	100	1700	13	1387	1123	2510	2600	1317	1387
CDXRT-1000-20	1541	1910	1066	1267	657	65	735	100	1700	13	1387	1123	2510	2600	1317	1387
CDXRT-1000-25	1541	1910	1066	1267	657	65	735	100	1700	13	1387	1123	2510	2600	1317	1387
CDXRT-1000-30	1541	1910	1066	1267	657	65	735	100	1700	13	1387	1123	2510	2600	1317	1387
CDXRT-1000-40	1541	1910	1066	1267	657	65	735	100	1700	13	1387	1123	2510	2600	1317	1387
CDXRT-1000-50	1541	1910	1066	1267	657	65	735	100	1700	13	1387	1123	2510	2600	1317	1387
CDXRT-1000-60	1541	1910	1066	1267	657	65	735	100	1700	13	1387	1123	2510	2600	1317	1387
CDXRT-1000-75	1541	1910	1066	1267	657	65	735	100	1700	13	1387	1123	2510	2600	1317	1387

**CJDXR
Assembly A
Standard
supply RD 90**



	A	B	C	D1	D2	E	G1	L
CJDXR-200	750	465	500	305	343	83	253.5	257
CJDXR-250	885	555	650	395	493	83	310	323.5

**CJDXR
Assembly A and B
Standard
supply RD 90**



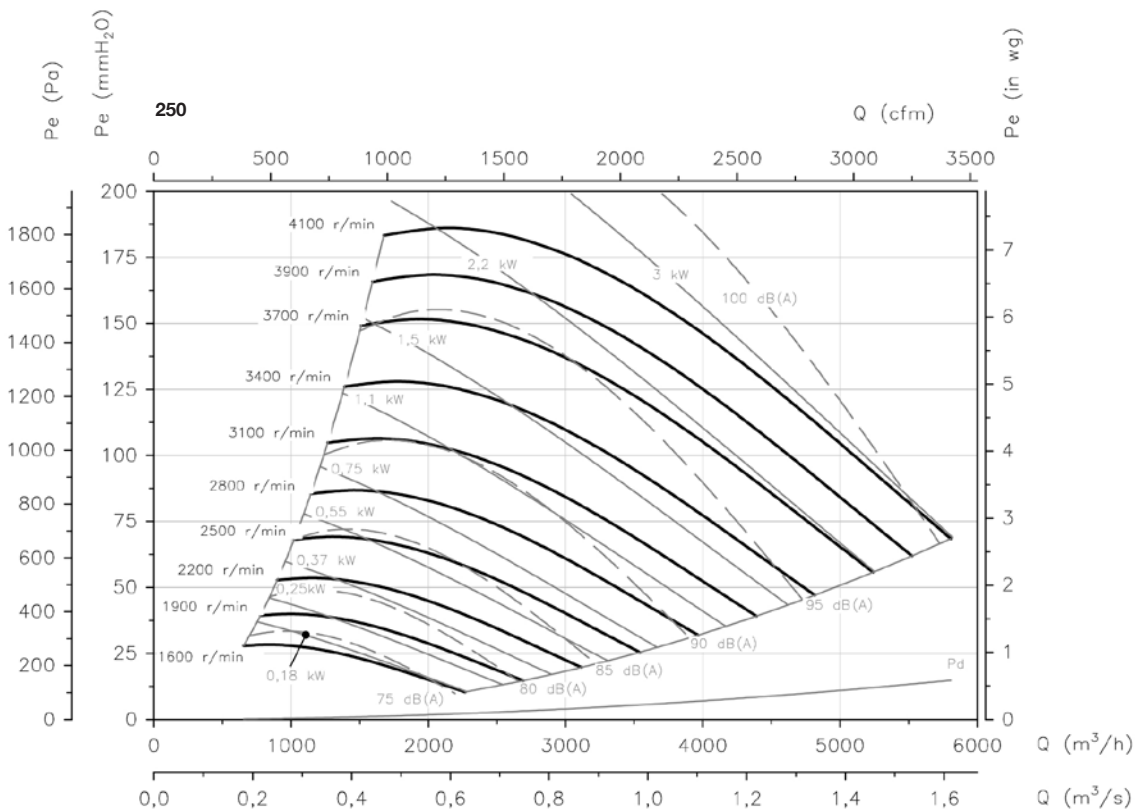
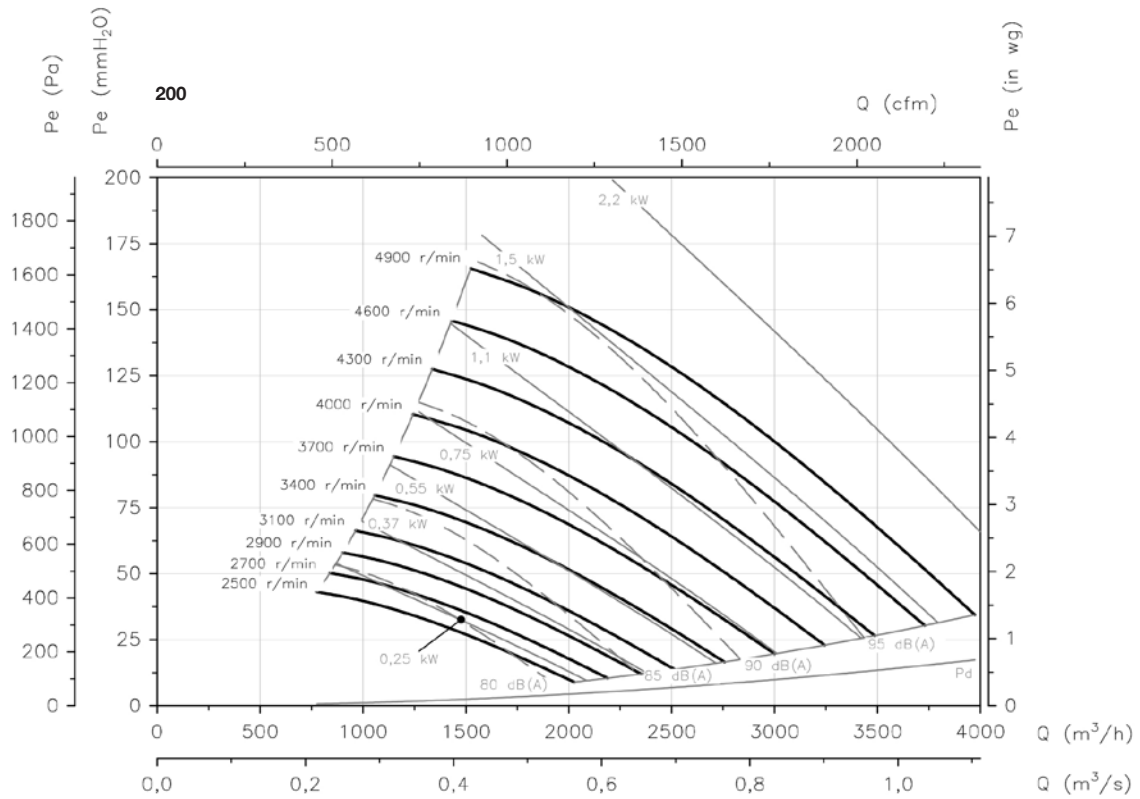
	A	B	C	D1	D2	E	F	G1	H	I	J	L	M
CJDXR-315	1100	745	800	640	520	83.5	960	458	60	148	860	405	-
CJDXR-355	1265	815	800	655	640	84.5	960	503.5	60	165	1020	454	-
CJDXR-400	1370	900	900	740	743	82	1060	564	60	152	1120	508	-
CJDXR-450	1480	990	1000	830	843	80.5	1160	623.5	60	152	1240	570	-
CJDXR-500	1625	1080	1100	920	942	80	1260	680.5	60	152	1340	639	670
CJDXR-560	1760	1195	1200	1035	1040	82.5	1360	851.5	60	165	1490	716	745
CJDXR-630	1880	1322	1300	1162	1142	80	1460	841	60	152	1610	802	820
CJDXR-710	2180	1500	1500	1340	1342	82	1660	968.5	80	168	1910	899	955

CENTRIFUGAL FANS AND IN-LINE DUCT EXTRACTOR FANS

Characteristic curves

Q= Flow rate in m³/h, m³/s and cfm

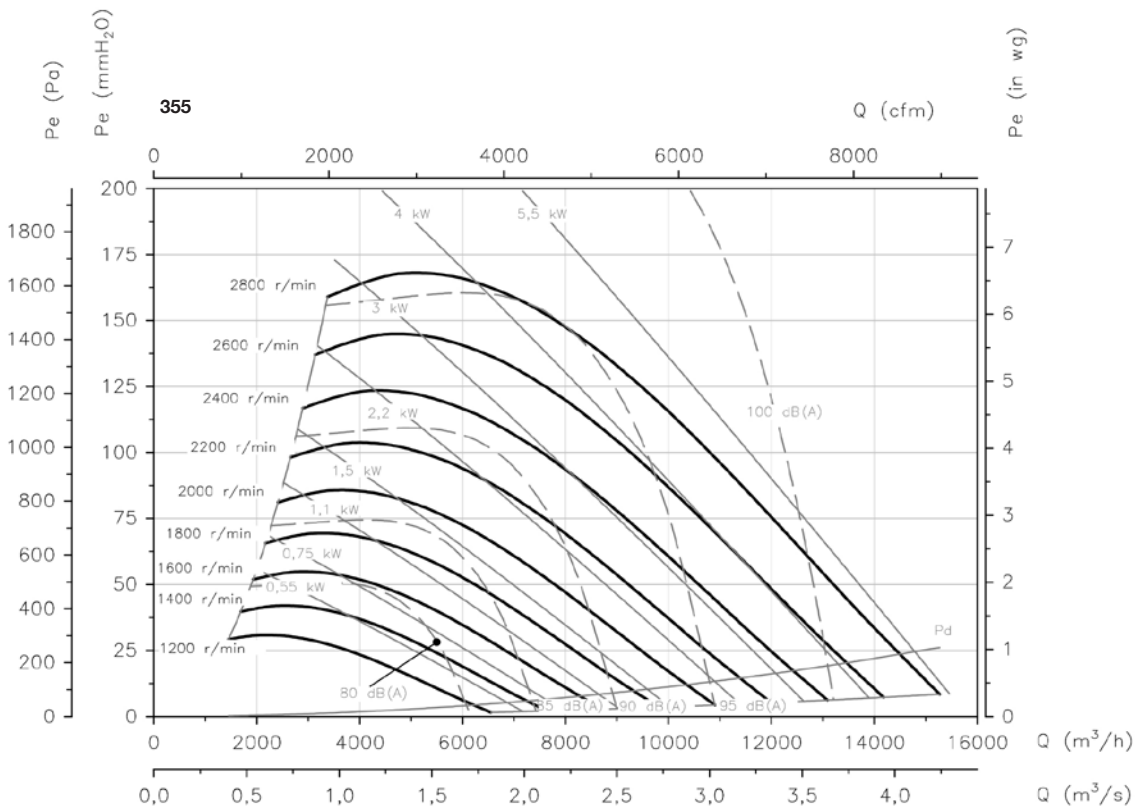
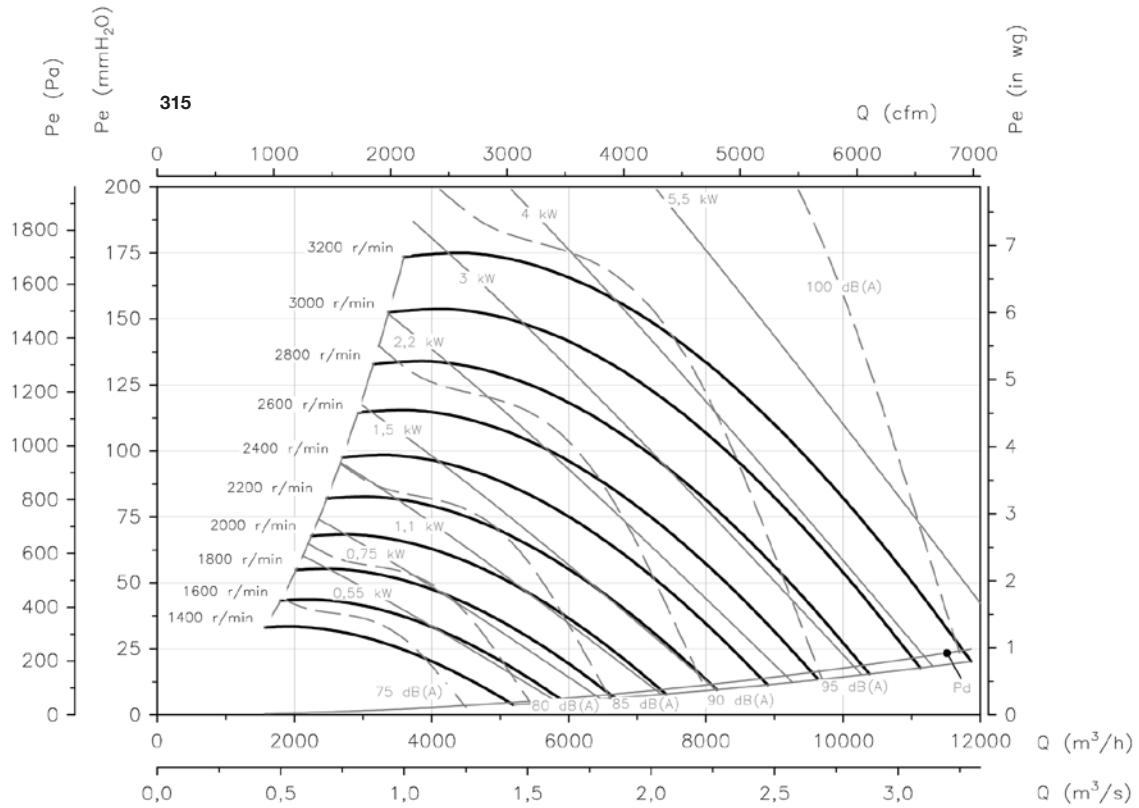
Pe= Static pressure in mm H₂O, Pa and inwg



Characteristic curves

Q= Flow rate in m³/h, m³/s and cfm

Pe= Static pressure in mm H₂O, Pa and inwg

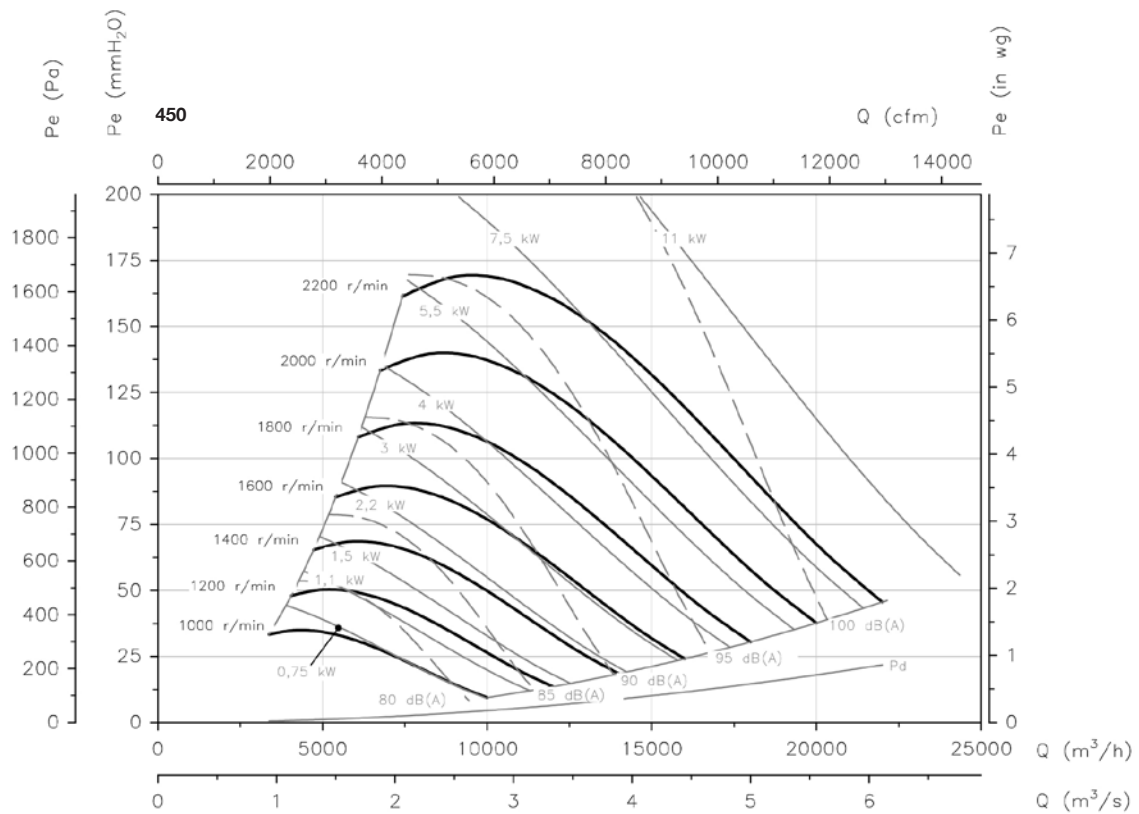
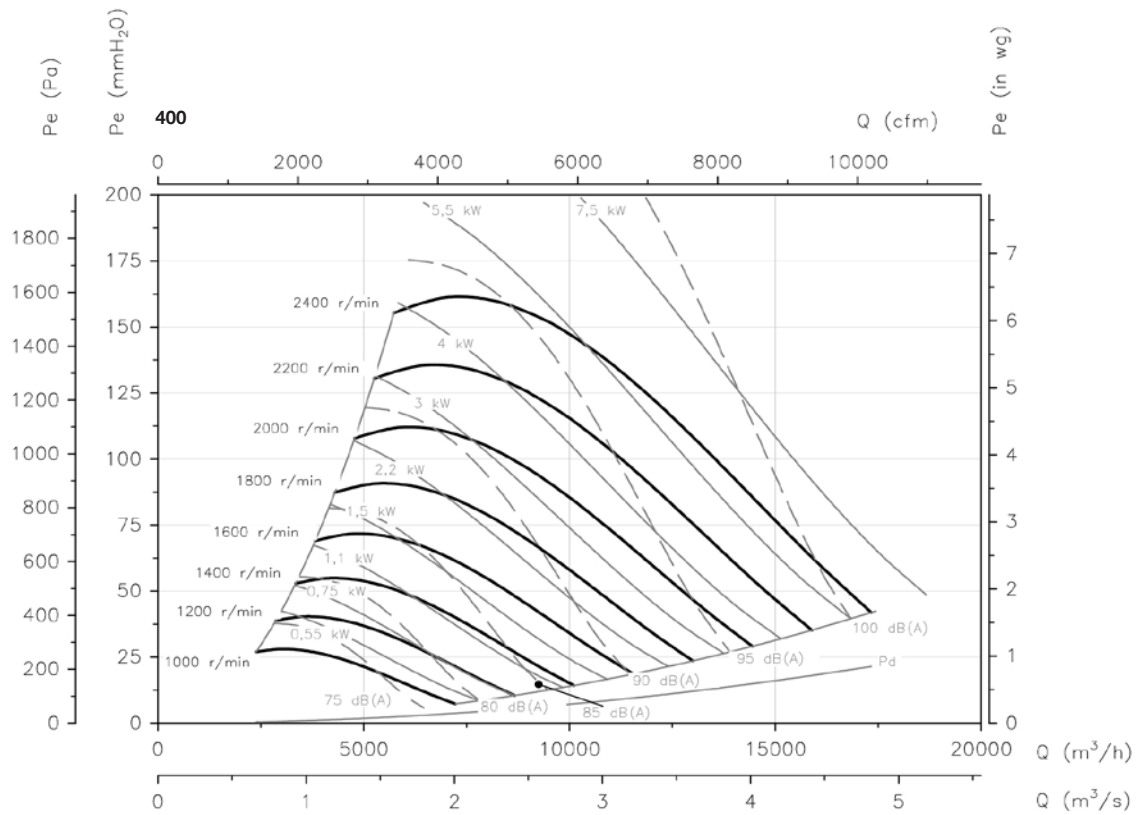


CENTRIFUGAL FANS AND IN-LINE DUCT EXTRACTOR FANS

Characteristic curves

Q= Flow rate in m³/h, m³/s and cfm

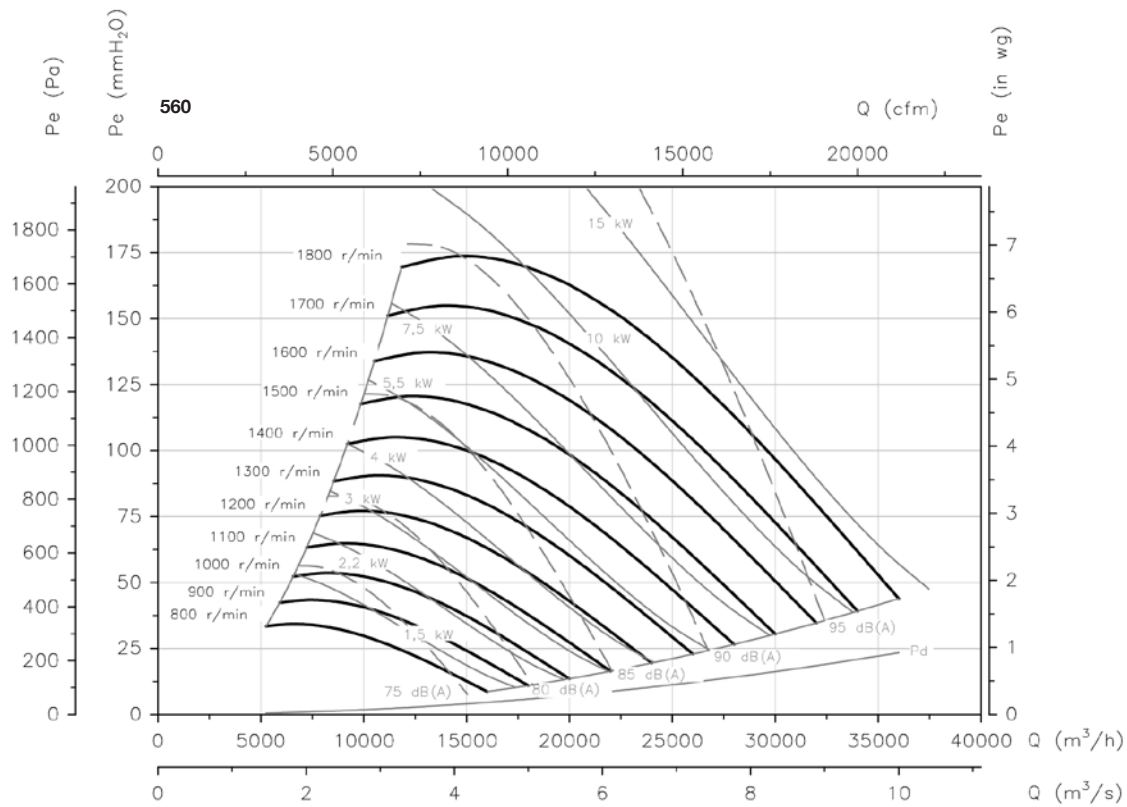
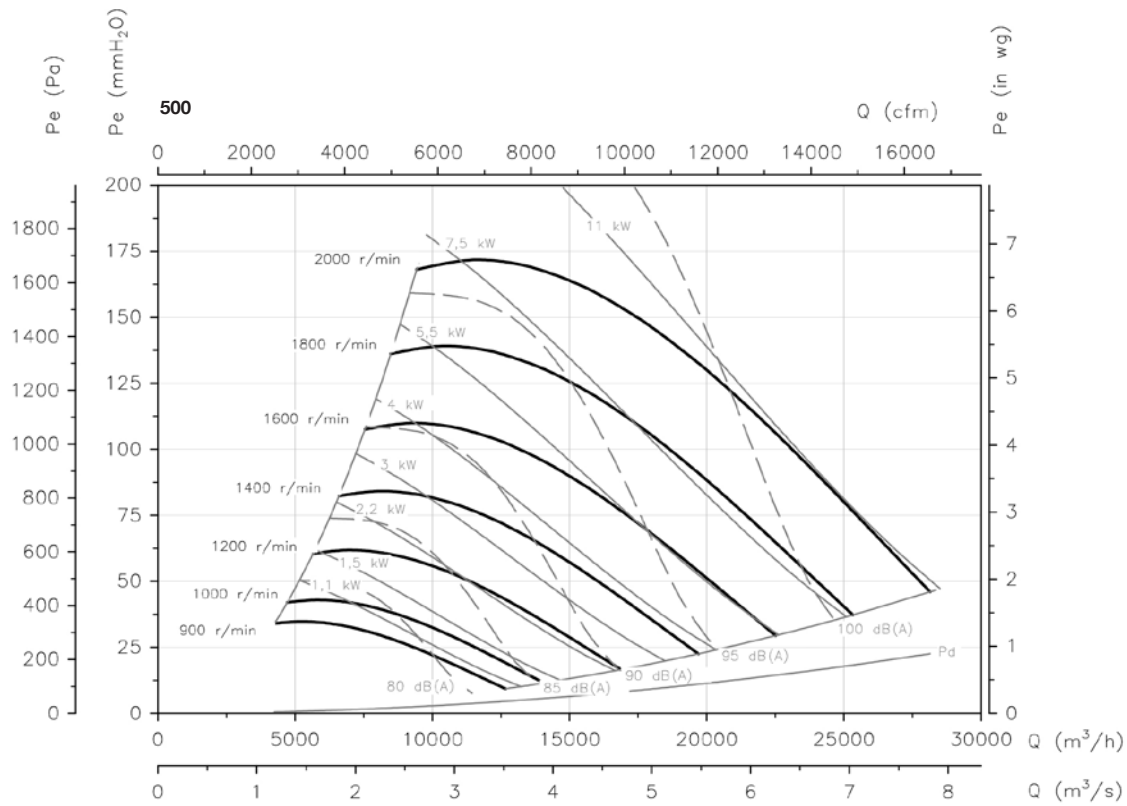
Pe= Static pressure in mm H₂O, Pa and inwg



Characteristic curves

Q= Flow rate in m³/h, m³/s and cfm

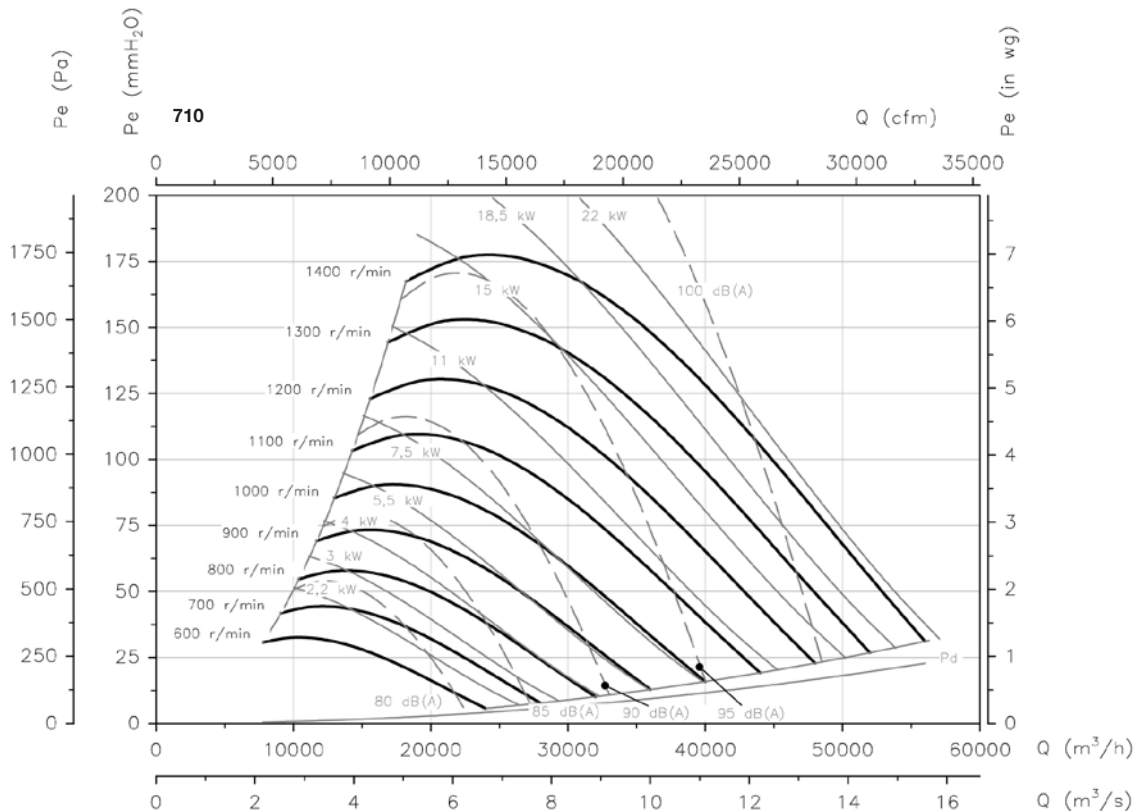
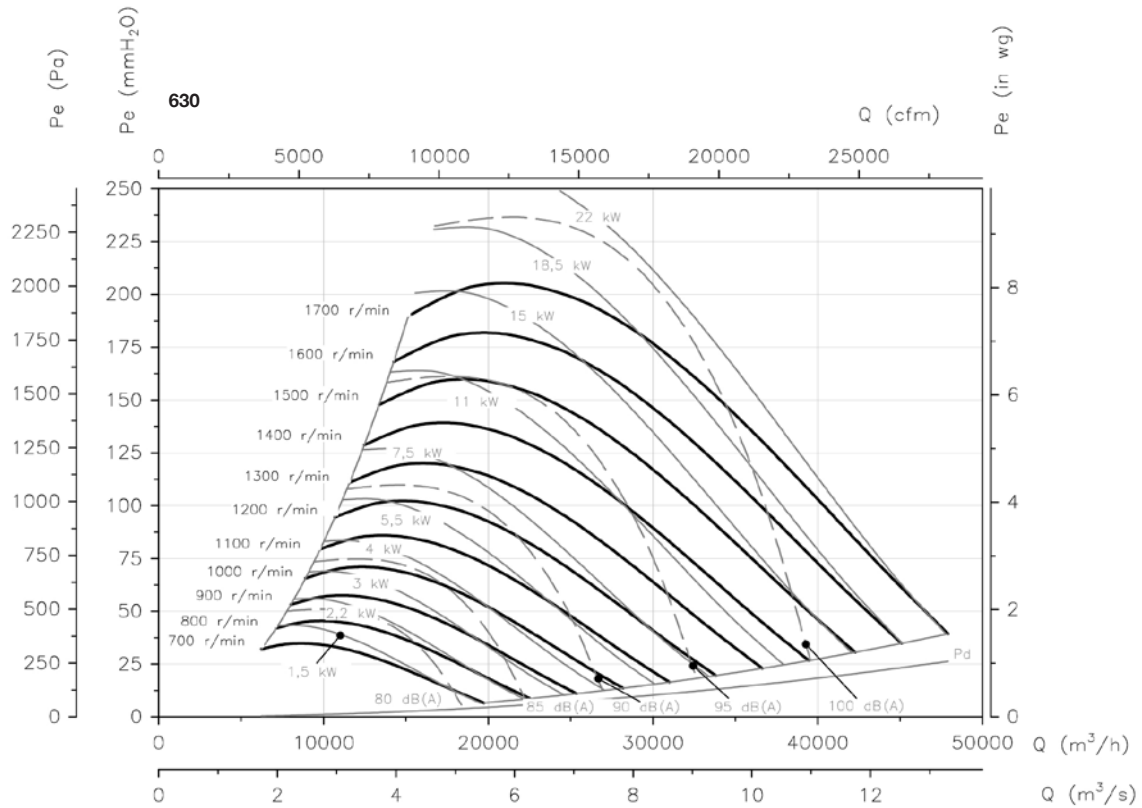
Pe= Static pressure in mm H₂O, Pa and inwg



Characteristic curves

Q= Flow rate in m³/h, m³/s and cfm

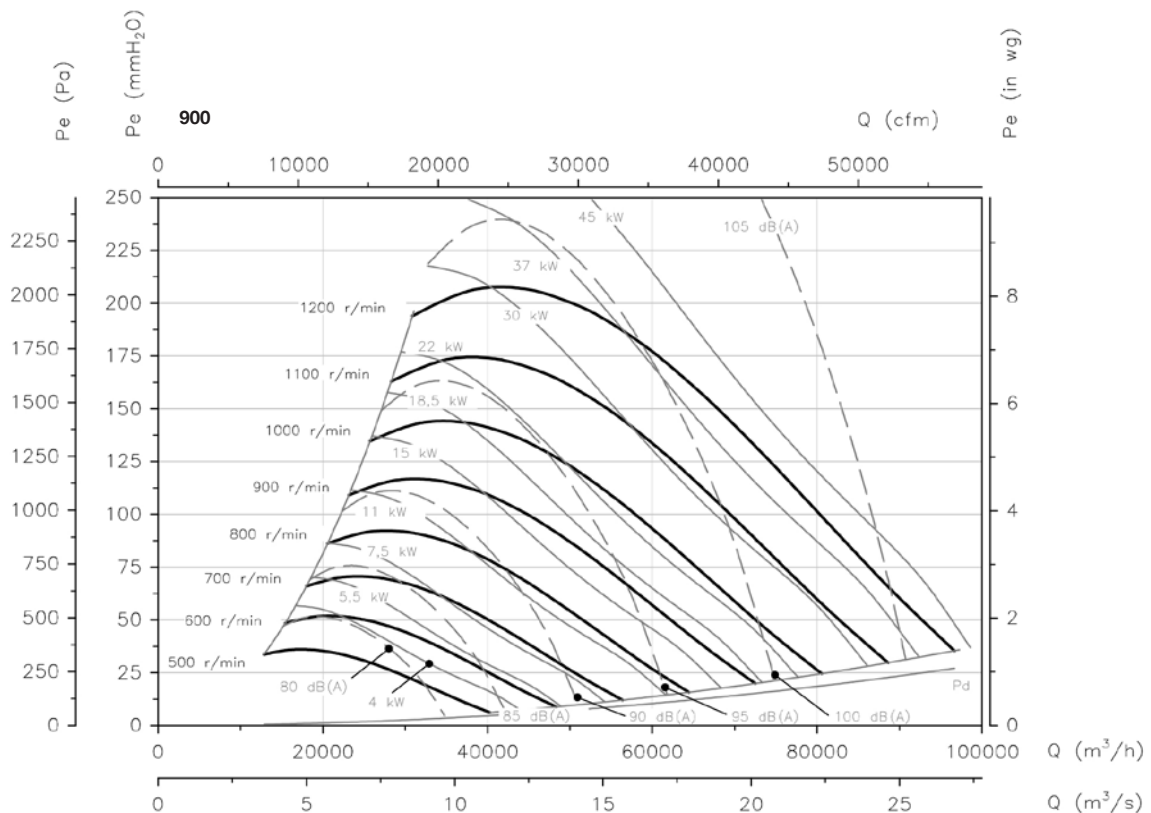
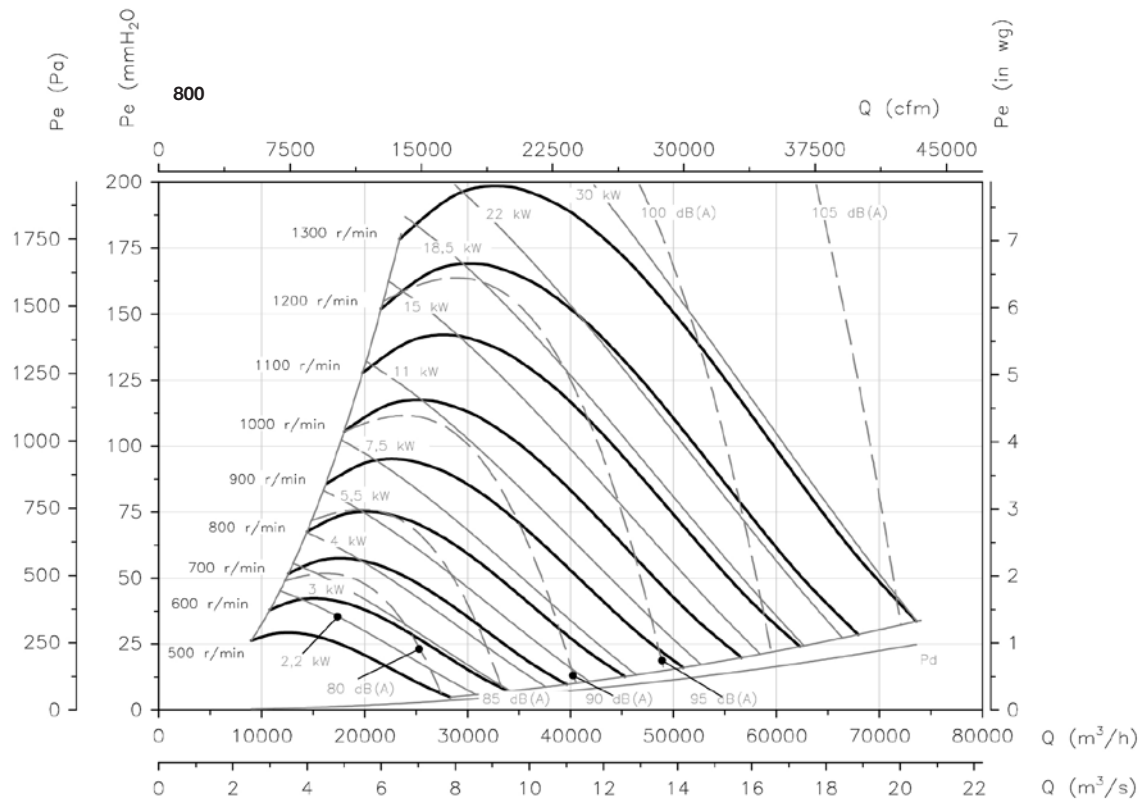
Pe= Static pressure in mm H₂O, Pa and inwg



Characteristic curves

Q= Flow rate in m³/h, m³/s and cfm

Pe= Static pressure in mm H₂O, Pa and inwg

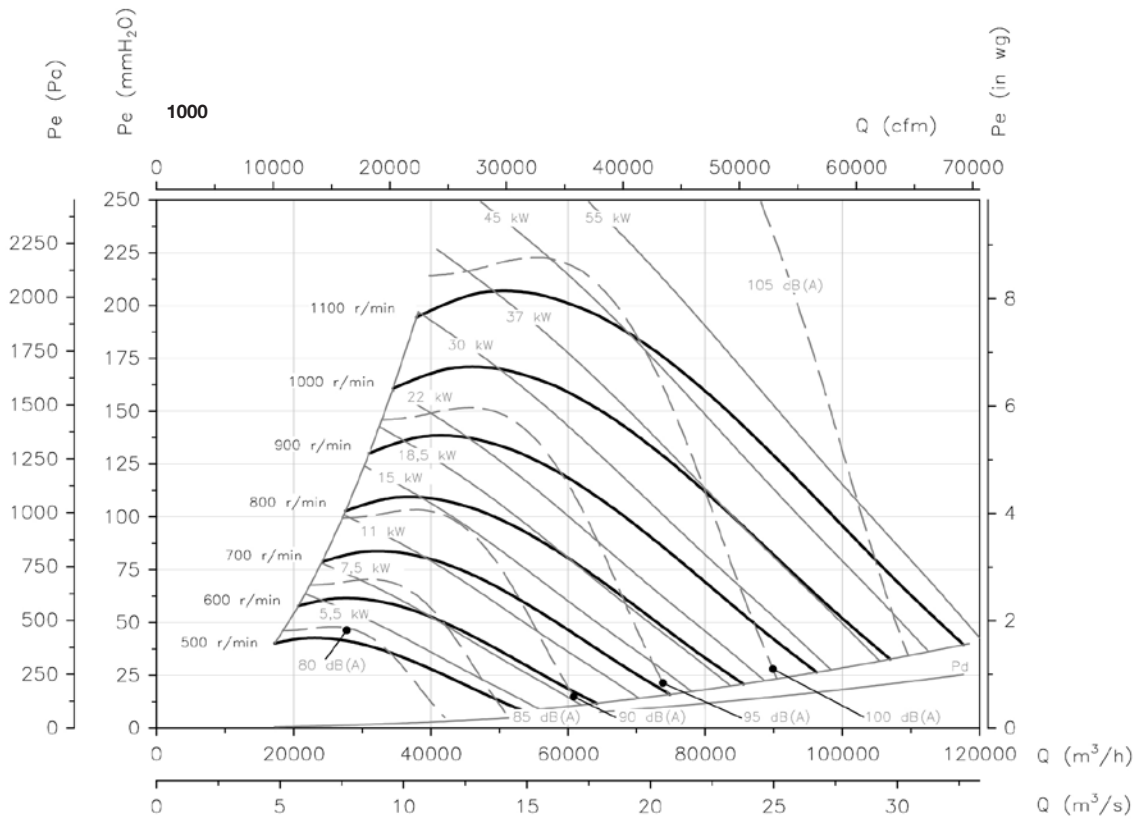


CENTRIFUGAL FANS AND IN-LINE DUCT EXTRACTOR FANS

Characteristic curves

Q= Flow rate in m³/h, m³/s and cfm

Pe= Static pressure in mm H₂O, Pa and inwg



Accessories

See accessories section.



CSXR CSXRT CJSXR



CSXR: Single inlet, belt-driven centrifugal fans with shaft outlet and backward-curved impeller.

CSXRT: Single inlet, belt-driven centrifugal fans fitted with electric motors, a set of pulleys, belts, protectors and impellers with backward-curved impeller.

CJSXR: Ventilation units with backward-curved impeller, acoustic insulation and fitted with CSXR series fans mounted on rubber shock-absorbers.



CSXR



CSXRT



CJSXR

Fan:

- Galvanised sheet steel casing.
- Backward-curved impeller made of galvanised sheet steel.
- Galvanised sheet steel structure with thermal and acoustic insulation (CJSXR).
- Cable gland for cable inlet (CJSXR).

Finish:

- Anti-corrosive finish on galvanised sheet steel.

On request:

- Different outlet nozzle positions.
- Special windings for different voltages.
- With 2-speed motors.

Motor:

- IE3 efficiency motors for powers equal to or greater than 0.75 kW except single-phase, 2-speed and 8-pole.
- Class F motors with ball bearings and IP55 protection.
- Three-phase 230/400 V-50 Hz (up to 4 kW) and 400/690 V-50 Hz (powers higher than 4 kW).
- Maximum temperature of air to be carried: CSXR and CSXRT: -20 °C +85 °C CJSXR: -20 °C + 60 °C.

Order code

CSXR — 450



—

450



CSXR: Belt-driven single inlet centrifugal fans with shaft outlet and backward-curved impeller

Impeller size mm

CSXRT — 450 — 3



—

450



—

3



CSXRT: Single inlet, belt-driven centrifugal fans fitted with electric motors, a set of pulleys and protectors and backward-curved impeller

Impeller size in mm

Motor power (HP)

CJSXR: Ventilation units with backward-curved impeller

Technical characteristics

Model	Max. speed (r/min)	Maximum mechanical power (kW)	Maximum flow rate (m ³ /h)	Air temperature (°C)		Weight (kg)	According to ErP
				min.	max.		
CSXR-315	3200	2.00	5070	-20	+85	27	2015
CSXR-355	2800	2.50	6400	-20	+85	39	2015
CSXR-400	2400	3.00	8110	-20	+85	44	2015
CSXR-450	2200	4.00	10480	-20	+85	55	2015
CSXR-500	2200	6.00	13620	-20	+85	70	2015
CSXR-560	2000	8.00	17350	-20	+85	110	2015
CSXR-630	1600	8.00	20840	-20	+85	125	2015
CSXR-710	1400	9.00	24610	-20	+85	175	2015
CSXR-800	1600	25.00	39670	-20	+85	245	2015
CSXR-900	1400	30.00	49860	-20	+85	350	2015
CSXR-1000	1400	45.00	64910	-20	+85	435	2015

CENTRIFUGAL FANS AND IN-LINE DUCT EXTRACTOR FANS

Technical characteristics

Model	Speed (r/min)	Maximum admissible current			Installed power (kW)	Maximum flow rate (m ³ /h)	Sound pressure level CSXRT (dBA)	Approx. weight CSXRT (kg)	Air temperature (°C)		According to ErP
		230 V	400 V	690 V					min.	max.	
CSXRT CJSXR 315-1 IE3	2100	2.78	1.60	0.75	3580	70	61	-20	+85	2015	
CSXRT CJSXR 315-1.5 IE3	2385	4.07	2.34	1.10	4070	74	67	-20	+85	2015	
CSXRT CJSXR 315-2 IE3	2650	5.48	3.15	1.50	4520	76	71	-20	+85	2015	
CSXRT CJSXR 315-3 IE3	2975	7.93	4.56	2.20	5070	79	79	-20	+85	2015	
CSXRT CJSXR 355-0.75	1545	2.87	1.66	0.55	3780	67	66	-20	+85	2015	
CSXRT CJSXR 355-1 IE3	1715	2.78	1.60	0.75	4200	69	75	-20	+85	2015	
CSXRT CJSXR 355-1.5 IE3	1950	4.07	2.34	1.10	4770	72	81	-20	+85	2015	
CSXRT CJSXR 355-2 IE3	2165	5.48	3.15	1.50	5300	74	84	-20	+85	2015	
CSXRT CJSXR 355-3 IE3	2465	7.93	4.56	2.20	6030	77	93	-20	+85	2015	
CSXRT CJSXR 355-4 IE3	2615	10.70	6.15	3.00	6400	79	99	-20	+85	2015	
CSXRT CJSXR 400-1 IE3	1425	2.78	1.60	0.75	5070	67	81	-20	+85	2015	
CSXRT CJSXR 400-1.5 IE3	1620	4.07	2.34	1.10	5760	71	87	-20	+85	2015	
CSXRT CJSXR 400-2 IE3	1795	5.48	3.15	1.50	6400	73	90	-20	+85	2015	
CSXRT CJSXR 400-3 IE3	2045	7.93	4.56	2.20	7290	76	99	-20	+85	2015	
CSXRT CJSXR 400-4 IE3	2275	10.70	6.15	3.00	8110	78	105	-20	+85	2015	
CSXRT CJSXR 450-1 IE3	1185	2.78	1.60	0.75	5930	66	92	-20	+85	2015	
CSXRT CJSXR 450-1.5 IE3	1350	4.07	2.34	1.10	6740	69	98	-20	+85	2015	
CSXRT CJSXR 450-2 IE3	1495	5.48	3.15	1.50	7490	71	102	-20	+85	2015	
CSXRT CJSXR 450-3 IE3	1705	7.93	4.56	2.20	8530	74	110	-20	+85	2015	
CSXRT CJSXR 450-4 IE3	1895	10.70	6.15	3.00	9480	77	116	-20	+85	2015	
CSXRT CJSXR 450-5.5 IE3	2095	13.90	8.00	4.00	10480	79	128	-20	+85	2015	
CSXRT CJSXR 500-1.5 IE3	1115	4.07	2.34	1.10	7580	67	114	-20	+85	2015	
CSXRT CJSXR 500-2 IE3	1240	5.48	3.15	1.50	8420	70	117	-20	+85	2015	
CSXRT CJSXR 500-3 IE3	1415	7.93	4.56	2.20	9590	73	126	-20	+85	2015	
CSXRT CJSXR 500-4 IE3	1570	10.70	6.15	3.00	10660	75	132	-20	+85	2015	
CSXRT CJSXR 500-5.5 IE3	1735	13.90	8.00	4.00	11780	77	144	-20	+85	2015	
CSXRT CJSXR 500-7.5 IE3	1935	10.30	5.97	5.50	13140	80	169	-20	+85	2015	
CSXRT CJSXR 500-10 IE3	2005	13.90	8.06	7.50	13620	80	178	-20	+85	2015	
CSXRT CJSXR 560-1 IE3	835	2.78	1.60	0.75	7720	58	155	-20	+85	2015	
CSXRT CJSXR 560-1.5 IE3	950	4.07	2.34	1.10	8770	62	161	-20	+85	2015	
CSXRT CJSXR 560-2 IE3	1055	5.48	3.15	1.50	9740	65	164	-20	+85	2015	
CSXRT CJSXR 560-3 IE3	1200	7.93	4.56	2.20	11090	68	173	-20	+85	2015	
CSXRT CJSXR 560-4 IE3	1335	10.70	6.15	3.00	12330	70	179	-20	+85	2015	
CSXRT CJSXR 560-5.5 IE3	1475	13.90	8.00	4.00	13620	73	191	-20	+85	2015	
CSXRT CJSXR 560-7.5 IE3	1645	10.30	5.97	5.50	15220	75	216	-20	+85	2015	
CSXRT CJSXR 560-10 IE3	1820	13.90	8.06	7.50	16850	78	225	-20	+85	2015	
CSXRT CJSXR 560-15 IE3	1875	21.40	12.40	11.00	17350	78	276	-20	+85	2015	
CSXRT CJSXR 630-1.5 IE3	775	4.07	2.34	1.10	10540	60	177	-20	+85	2015	
CSXRT CJSXR 630-2 IE3	860	5.48	3.15	1.50	11710	63	181	-20	+85	2015	
CSXRT CJSXR 630-3 IE3	980	7.93	4.56	2.20	13330	66	190	-20	+85	2015	
CSXRT CJSXR 630-4 IE3	1090	10.70	6.15	3.00	14830	68	196	-20	+85	2015	
CSXRT CJSXR 630-5.5 IE3	1205	13.90	8.00	4.00	16380	71	207	-20	+85	2015	
CSXRT CJSXR 630-7.5 IE3	1345	10.30	5.97	5.50	18280	74	233	-20	+85	2015	
CSXRT CJSXR 630-10 IE3	1490	13.90	8.06	7.50	20270	76	242	-20	+85	2015	
CSXRT CJSXR 630-15 IE3	1535	21.40	12.40	11.00	20840	77	293	-20	+85	2015	
CSXRT CJSXR 710-1.5 IE3	635	4.07	2.34	1.10	11960	58	229	-20	+85	2015	
CSXRT CJSXR 710-2 IE3	705	5.48	3.15	1.50	13300	60	232	-20	+85	2015	
CSXRT CJSXR 710-3 IE3	800	7.93	4.56	2.20	15130	63	241	-20	+85	2015	
CSXRT CJSXR 710-4 IE3	890	10.70	6.15	3.00	16830	66	247	-20	+85	2015	
CSXRT CJSXR 710-5.5 IE3	985	13.90	8.00	4.00	18580	69	259	-20	+85	2015	
CSXRT CJSXR 710-7.5 IE3	1100	10.30	5.97	5.50	20730	71	284	-20	+85	2015	
CSXRT CJSXR 710-10 IE3	1215	13.90	8.06	7.50	22990	74	293	-20	+85	2015	
CSXRT CJSXR 710-15 IE3	1305	21.40	12.40	11.00	24610	75	344	-20	+85	2015	
CSXRT - 800-3 IE3	650	9.08	5.22	2.20	17350	61	331	-20	+85	2015	
CSXRT - 800-4 IE3	725	12.00	6.91	3.00	19290	64	350	-20	+85	2015	
CSXRT - 800-5.5 IE3	800	15.60	8.99	4.00	21300	66	360	-20	+85	2015	
CSXRT - 800-7.5 IE3	890	11.20	6.49	5.50	23770	69	368	-20	+85	2015	
CSXRT - 800-10 IE3	990	14.80	8.58	7.50	26370	71	389	-20	+85	2015	
CSXRT - 800-15 IE3	1125	22.00	12.80	11.00	29950	75	424	-20	+85	2015	
CSXRT - 800-20 IE3	1245	28.00	16.20	15.00	33210	77	478	-20	+85	2015	
CSXRT - 800-25 IE3	1335	35.00	20.30	18.50	35610	79	496	-20	+85	2015	
CSXRT - 800-30 IE3	1415	41.60	24.10	22.00	37750	80	505	-20	+85	2015	
CSXRT - 800-40 IE3	1490	55.40	32.10	30.00	39670	81	687	-20	+85	2015	
CSXRT - 900-3 IE3	535	9.08	5.22	2.20	20670	59	443	-20	+85	2015	
CSXRT - 900-4 IE3	595	12.00	6.91	3.00	22990	62	462	-20	+85	2015	
CSXRT - 900-5.5 IE3	655	15.60	8.99	4.00	25390	64	472	-20	+85	2015	
CSXRT - 900-7.5 IE3	730	11.20	6.49	5.50	28350	67	480	-20	+85	2015	

Technical characteristics

Model	Speed (r/min)	Maximum admissible current			Installed power (kW)	Maximum flow rate (m ³ /h)	Sound pressure level CSXRT (dBA)	Approx. weight CSXRT (kg)	Air temperature (°C) According to ErP		
		230 V	400 V	690 V					min.	max.	
CSXRT - 900-10 IE3	810		14.80	8.58	7.50	31420	70	501	-20	+85	2015
CSXRT - 900-15 IE3	920		22.00	12.80	11.00	35690	73	536	-20	+85	2015
CSXRT - 900-20 IE3	1020		28.00	16.20	15.00	39590	75	590	-20	+85	2015
CSXRT - 900-25 IE3	1095		35.00	20.30	18.50	42450	77	608	-20	+85	2015
CSXRT - 900-30 IE3	1160		41.60	24.10	22.00	44990	79	617	-20	+85	2015
CSXRT - 900-40 IE3	1285		55.40	32.10	30.00	49860	81	800	-20	+85	2015
CSXRT - 1000-4 IE3	500	12.00	6.91		3.00	26140	59	550	-20	+85	2015
CSXRT - 1000-5.5 IE3	555	15.60	8.99		4.00	28870	62	560	-20	+85	2015
CSXRT - 1000-7.5 IE3	615		11.20	6.49	5.50	32210	64	568	-20	+85	2015
CSXRT - 1000-10 IE3	685		14.80	8.58	7.50	35720	67	589	-20	+85	2015
CSXRT - 1000-15 IE3	775		22.00	12.80	11.00	40600	70	624	-20	+85	2015
CSXRT - 1000-20 IE3	860		28.00	16.20	15.00	45020	73	678	-20	+85	2015
CSXRT - 1000-25 IE3	925		35.00	20.30	18.50	48270	74	696	-20	+85	2015
CSXRT - 1000-30 IE3	980		41.60	24.10	22.00	51130	76	705	-20	+85	2015
CSXRT - 1000-40 IE3	1085		55.40	32.10	30.00	56710	78	888	-20	+85	2015
CSXRT - 1000-50 IE3	1165		67.20	39.00	37.00	60810	80	943	-20	+85	2015
CSXRT - 1000-60 IE3	1245		84.40	48.90	45.00	64910	82	1154	-20	+85	2015

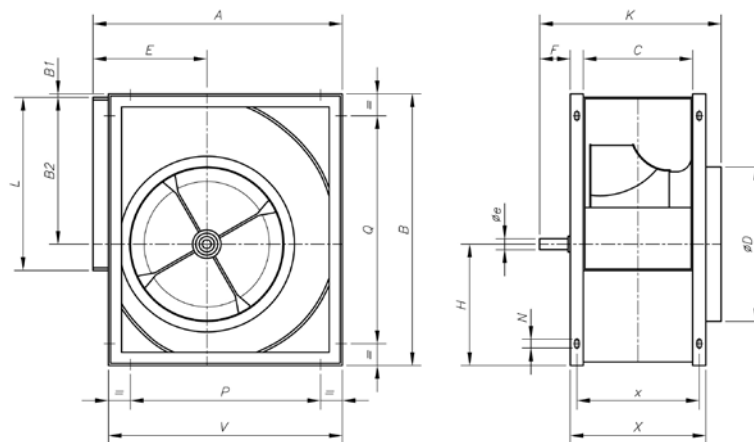


Erp. (Energy Related Products)

Information on Directive 2009/125/EC can be downloaded from the SODECA website or the QuickFan selector programme.

Dimensions mm

CSXR

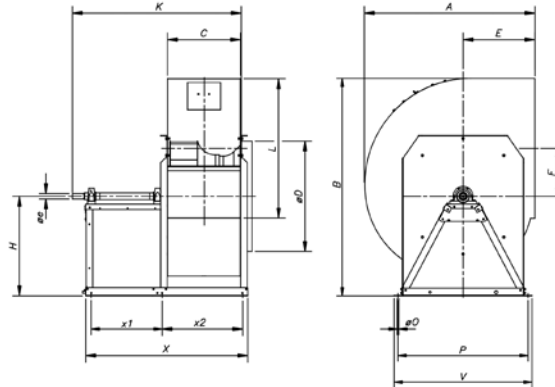


	A	B	B1	B2	C	øD	øe	E	F	H	K	L	N	P	Q	V	X	x
CSXR-315	518	578	3	340	223	322	25	236	83	235	395	404	13x18	280	280	480	283	253
CSXR-355	578	655	6	383	247	362	30	261	78	266	425	453	13x18	355	355	548	327	287
CSXR-400	651	736	4.5	431.5	274	404	30	290	78	300	452	507	13x18	355	355	613	354	314
CSXR-450	726	827	5	486	308	448	35	322	92	336	500	569	13x18	530	530	681	388	348
CSXR-500	800	918	5	538	344	510	35	352	92	375	535	638	13x18	530	530	750	424	394
CSXR-560	893	1030	8	602	383	570	40	390	87	420	600	715	13x18	530	530	845	483	433
CSXR-630	999	1157	7	678.5	432	635	45	434	87	471.5	650	801	13x18	530	530	946	532	482
CSXR-710	1121	1303	7	765	478	722	50	485	115	531	725	898	17x22	630	630	1058	578	528

CENTRIFUGAL FANS AND IN-LINE DUCT EXTRACTOR FANS

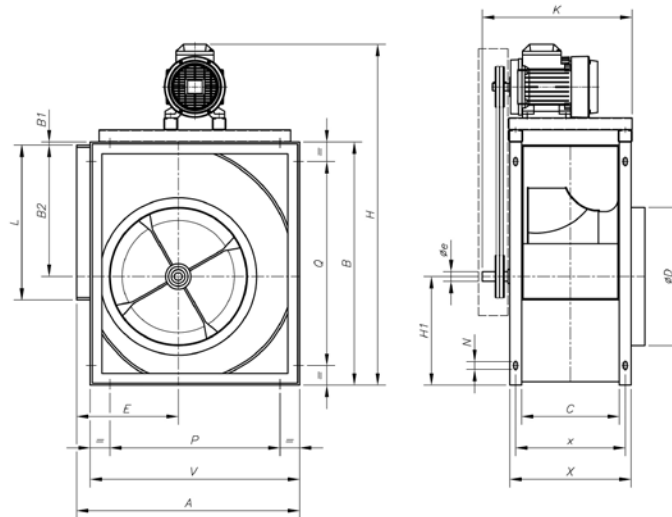
Dimensions mm

CSXR



	A	B	C	L	øD	H	øe	E	F	K	X	øO	P	V	x1	x2
CSXR-800	1250	1615.5	533	1010	798	762	42	535	358.5	1291.5	1231.5	14	980	1050	515	614
CSXR-900	1408	1475	595	1130	898	850	48	604	407	1353.5	1293.5	14	1080	1150	515	676
CSXR-1000	1541	1966	663	1260	998	900	48	651	433	1529.5	1468.5	14	1180	1250	642	729.5

CSXRT Standard supply RD 90

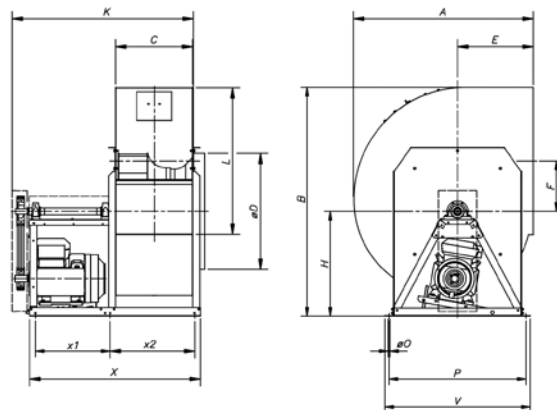


	A	B	B1	B2	C	øD	øe	E	H	H1	K	L	N	P	Q	V	X	x
CSXRT-315-1	518	578	3	340	223	322	25	236	855	235	395	404	13x18	280	280	480	283	253
CSXRT-315-1.5	518	578	3	340	223	322	25	236	855	235	395	404	13x18	280	280	480	283	253
CSXRT-315-2	518	578	3	340	223	322	25	236	875	235	395	404	13x18	280	280	480	283	253
CSXRT-315-3	518	578	3	340	223	322	25	236	875	235	395	404	13x18	280	280	480	283	253
CSXRT-355-0.75	578	655	6	383	247	362	30	261	910	266	425	453	13x18	355	355	548	327	287
CSXRT-355-1	578	655	6	383	247	362	30	261	930	266	425	453	13x18	355	355	548	327	287
CSXRT-355-1.5	578	655	6	383	247	362	30	261	930	266	425	453	13x18	355	355	548	327	287
CSXRT-355-2	578	655	6	383	247	362	30	261	945	266	425	453	13x18	355	355	548	327	287
CSXRT-355-3	578	655	6	383	247	362	30	261	945	266	425	453	13x18	355	355	548	327	287
CSXRT-355-4	578	655	6	383	247	362	30	261	963	266	425	453	13x18	355	355	548	327	287
CSXRT-400-1	651	736	4.5	431.5	274	404	30	290	1012	300	452	507	13x18	355	355	613	354	314
CSXRT-400-1.5	651	736	4.5	431.5	274	404	30	290	1012	300	452	507	13x18	355	355	613	354	314
CSXRT-400-2	651	736	4.5	431.5	274	404	30	290	1033	300	452	507	13x18	355	355	613	354	314
CSXRT-400-3	651	736	4.5	431.5	274	404	30	290	1033	300	452	507	13x18	355	355	613	354	314
CSXRT-400-4	651	736	4.5	431.5	274	404	30	290	1045	300	452	507	13x18	355	355	613	354	314
CSXRT-450-1	726	827	5	486	308	448	35	322	1100	336	500	569	13x18	530	530	681	388	348
CSXRT-450-1.5	726	827	5	486	308	448	35	322	1120	336	500	569	13x18	530	530	681	388	348
CSXRT-450-2	726	827	5	486	308	448	35	322	1120	336	500	569	13x18	530	530	681	388	348
CSXRT-450-3	726	827	5	486	308	448	35	322	1138	336	500	569	13x18	530	530	681	388	348
CSXRT-450-4	726	827	5	486	308	448	35	322	1138	336	500	569	13x18	530	530	681	388	348
CSXRT-450-5.5	726	827	5	486	308	448	35	322	1162	336	500	569	13x18	530	530	681	388	348
CSXRT-500-1.5	800	918	5	538	344	510	35	352	1214	375	535	638	13x18	530	530	750	424	394

Dimensions mm

	A	B	B1	B2	C	øD	øe	E	H	H1	K	L	N	P	Q	V	X	x
CSXRT-500-2	800	918	5	538	344	510	35	352	1214	375	535	638	13x18	530	530	750	424	394
CSXRT-500-3	800	918	5	538	344	510	35	352	1228	375	535	638	13x18	530	530	750	424	394
CSXRT-500-4	800	918	5	538	344	510	35	352	1228	375	535	638	13x18	530	530	750	424	394
CSXRT-500-5.5	800	918	5	538	344	510	35	352	1255	375	535	638	13x18	530	530	750	424	394
CSXRT-500-7.5	800	918	5	538	344	510	35	352	1292	375	535	638	13x18	530	530	750	424	394
CSXRT-500-10	800	918	5	538	344	510	35	352	1292	375	535	638	13x18	530	530	750	424	394
CSXRT-560-1	893	1030	8	602	383	570	40	390	1325	420	600	715	13x18	530	530	845	483	433
CSXRT-560-1.5	893	1030	8	602	383	570	40	390	1325	420	600	715	13x18	530	530	845	483	433
CSXRT-560-2	893	1030	8	602	383	570	40	390	1325	420	600	715	13x18	530	530	845	483	433
CSXRT-560-3	893	1030	8	602	383	570	40	390	1340	420	600	715	13x18	530	530	845	483	433
CSXRT-560-4	893	1030	8	602	383	570	40	390	1340	420	600	715	13x18	530	530	845	483	433
CSXRT-560-5.5	893	1030	8	602	383	570	40	390	1365	420	600	715	13x18	530	530	845	483	433
CSXRT-560-7.5	893	1030	8	602	383	570	40	390	1410	420	600	715	13x18	530	530	845	483	433
CSXRT-560-10	893	1030	8	602	383	570	40	390	1410	420	600	715	13x18	530	530	845	483	433
CSXRT-560-15	893	1030	8	602	383	570	40	390	1464	420	600	715	13x18	530	530	845	483	433
CSXRT-630-1.5	999	1157	7	678.5	432	635	45	434	1470	471.5	650	801	13x18	530	530	946	532	482
CSXRT-630-2	999	1157	7	678.5	432	635	45	434	1470	471.5	650	801	13x18	530	530	946	532	482
CSXRT-630-3	999	1157	7	678.5	432	635	45	434	1470	471.5	650	801	13x18	530	530	946	532	482
CSXRT-630-4	999	1157	7	678.5	432	635	45	434	1470	471.5	650	801	13x18	530	530	946	532	482
CSXRT-630-5.5	999	1157	7	678.5	432	635	45	434	1492	471.5	650	801	13x18	530	530	946	532	482
CSXRT-630-7.5	999	1157	7	678.5	432	635	45	434	1531	471.5	650	801	13x18	530	530	946	532	482
CSXRT-630-10	999	1157	7	678.5	432	635	45	434	1531	471.5	650	801	13x18	530	530	946	532	482
CSXRT-630-15	999	1157	7	678.5	432	635	45	434	1590	471.5	650	801	13x18	530	530	946	532	482
CSXRT-710-1.5	1121	1303	7	765	478	722	50	485	1612	531	725	898	17x22	630	630	1058	578	528
CSXRT-710-2	1121	1303	7	765	478	722	50	485	1612	531	725	898	17x22	630	630	1058	578	528
CSXRT-710-3	1121	1303	7	765	478	722	50	485	1612	531	725	898	17x22	630	630	1058	578	528
CSXRT-710-4	1121	1303	7	765	478	722	50	485	1612	531	725	898	17x22	630	630	1058	578	528
CSXRT-710-5.5	1121	1303	7	765	478	722	50	485	1638	531	725	898	17x22	630	630	1058	578	528
CSXRT-710-7.5	1121	1303	7	765	478	722	50	485	1675	531	725	898	17x22	630	630	1058	578	528
CSXRT-710-10	1121	1303	7	765	478	722	50	485	1675	531	725	898	17x22	630	630	1058	578	528
CSXRT-710-15	1121	1303	7	765	478	722	50	485	1735	531	725	898	17x22	630	630	1058	578	528

CSXRT



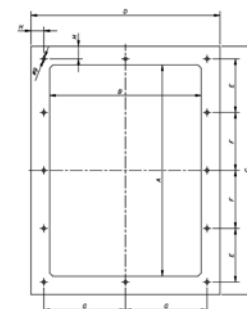
A B C L øD H E F

CSXRT-800	1250	1615.5	533	1010	798	762	535	358.5
CSXRT-900	1408	1475	595	1130	898	850	604	407
CSXRT-1000	1541	1966	663	1260	998	900	651	433

K X ø0 P V x1 x2

CSXRT-800	1321.5	1231.5	14	980	1050	515	614
CSXRT-900	1383.5	1293.5	14	1080	1150	515	676
CSXRT-1000	1559.5	1468.5	14	1180	1250	642	729.5

Impulsion flange accessory



A B C D

CSXRT-800	1007	533	1063	589
CSXRT-900	1130	595	1186	651
CSXRT-1000	1267	663	1323	719

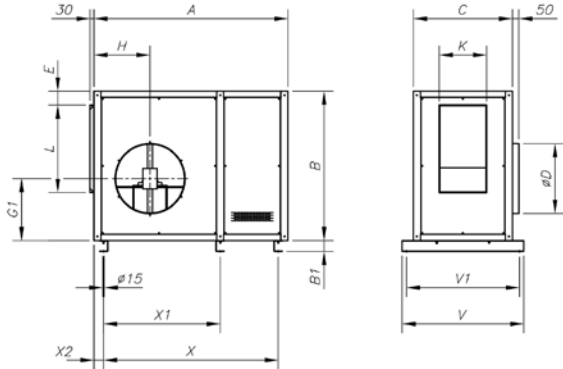
E F G H

CSXRT-800	268.5	250	281.5	13
CSXRT-900	280	300	312.5	13
CSXRT-1000	298.5	350	346.5	13

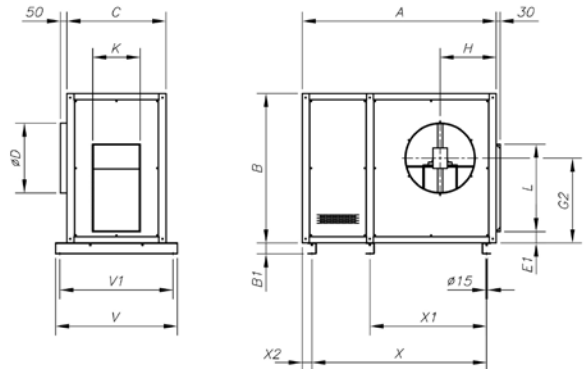
Dimensions mm

CJSXR

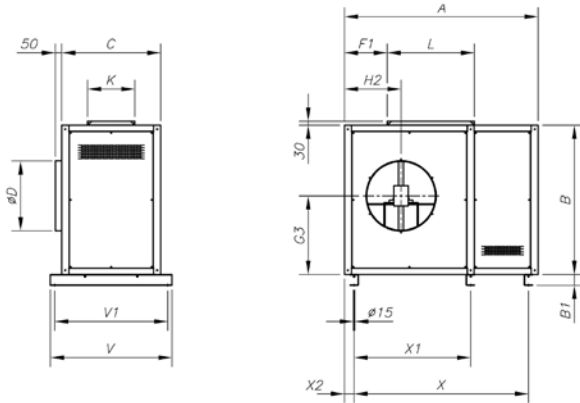
Standard supply horizontal impulsion (H) RD 90



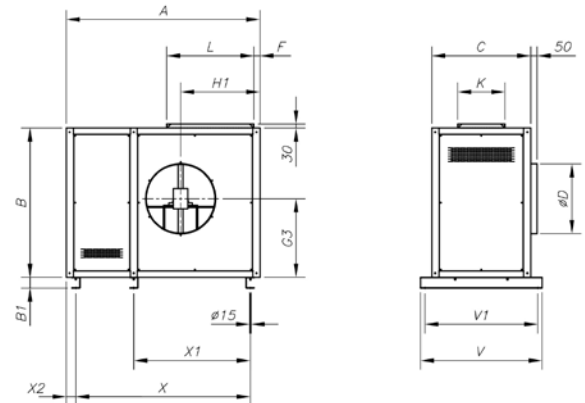
Horizontal impulsion on request (H) LG 90



Vertical impulsion on request (V) RD 0



Vertical impulsion on request (V) LG 0



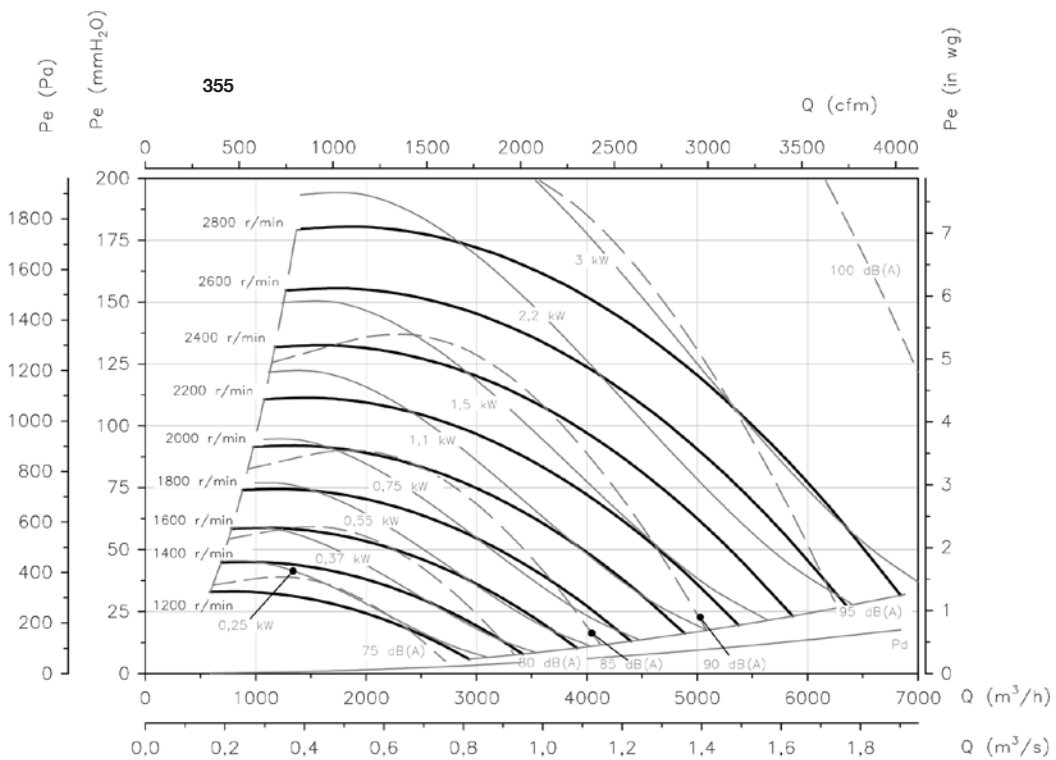
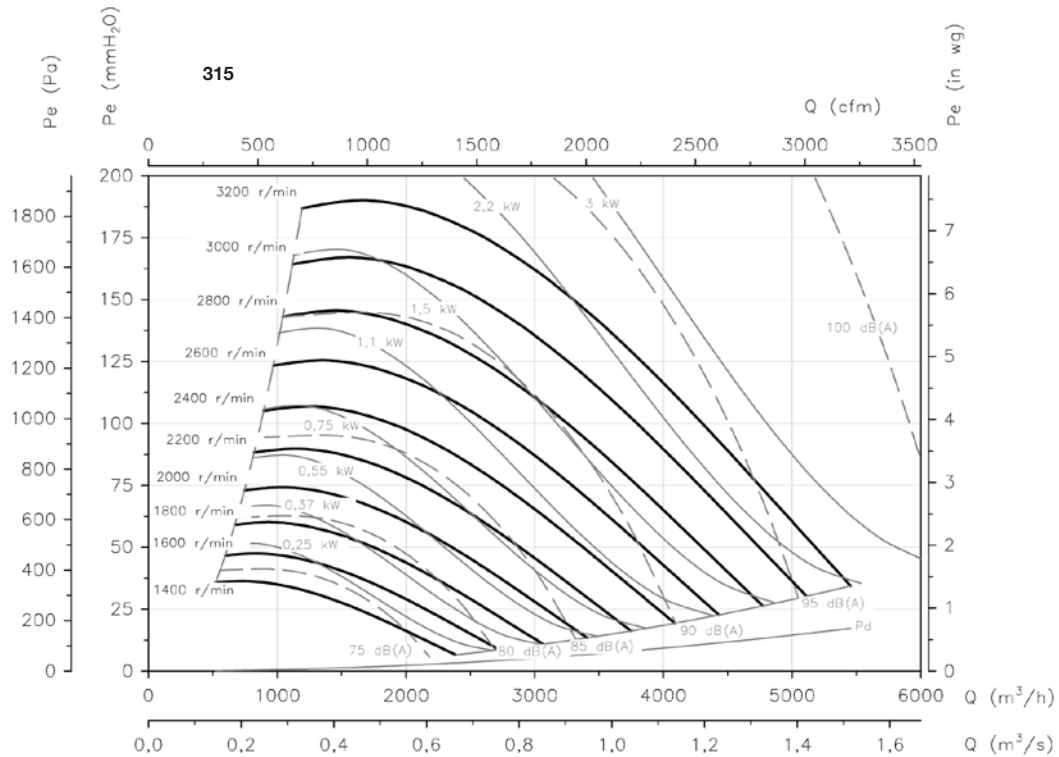
	A	B	B1	C	ØD	E	E1	F	F1	G1	G2	G3	H	H1
CJSXR-315	1170	740	60	600	315	82	84.2	113	281	317.5	423.2	366.2	305	451.5
CJSXR-355	1265	815	60	650	365	85	86.5	112.5	302.5	347.2	470.2	398	338	496
CJSXR-400	1370	900	60	680	400	82	90.2	111	331	386.2	522.2	447.2	359	543
CJSXR-450	1480	990	60	716	448	82	91.2	112.8	360	422.2	577.2	491	383	598
CJSXR-500	1625	1080	60	760	510	80.5	91	111.7	381.3	461.2	629.2	534.2	409	650
CJSXR-560	1760	1195	60	810	580	86.8	94.2	128	426	506.2	696.2	590	462	731
CJSXR-630	1880	1322	60	850	635	85.2	89.6	113.4	455.6	557.7	768.7	648.2	488	792.5
CJSXR-710	2180	1500	80	910	710	103	108.2	100	491	632.2	873.2	737.2	562	865

	H2	L	K	V	V1	X	X1	X2
CJSXR-315	346.3	405	224	760	680	880	-	155
CJSXR-355	373	454	248	810	730	1020	-	152
CJSXR-400	407	508	275	840	760	1120	-	152
CJSXR-450	443	570	309	876	796	1240	-	152
CJSXR-500	482	639	345	920	840	1340	670	152
CJSXR-560	540	716	384	970	890	1490	745	152
CJSXR-630	578.5	802	433	1010	930	820	1610	158
CJSXR-710	624	899	479	1070	990	955	1910	168

Characteristic curves

Q= Flow rate in m³/h, m³/s and cfm

Pe= Static pressure in mm H₂O, Pa and inwg

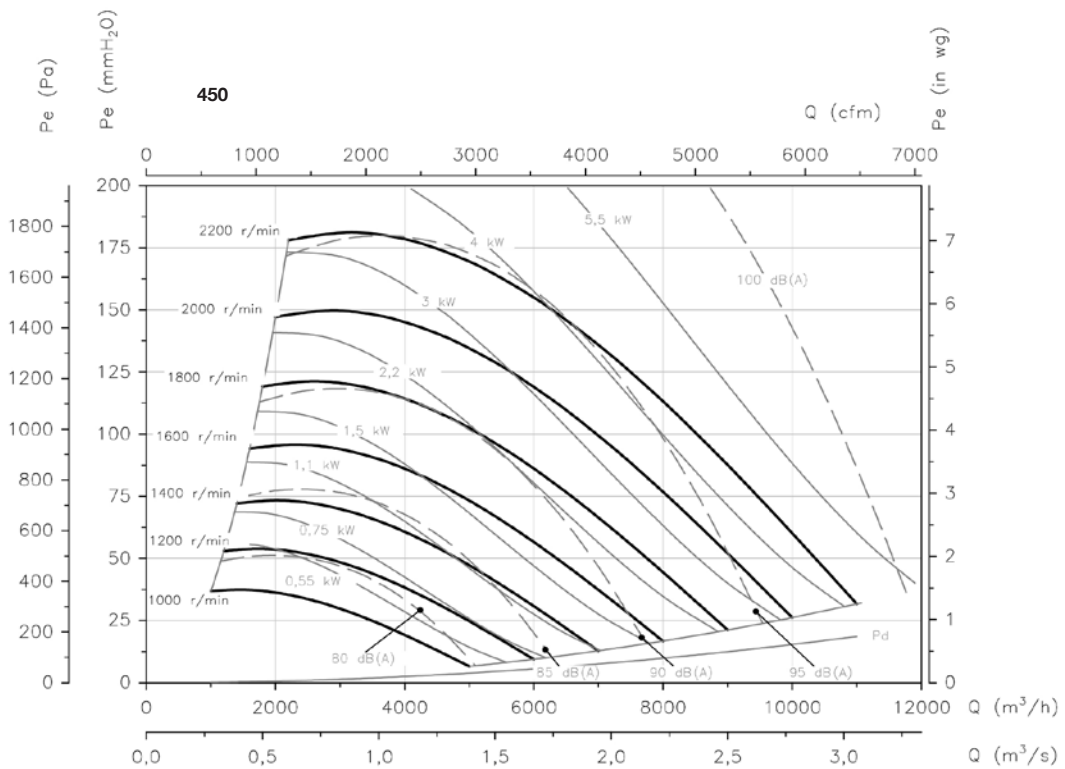
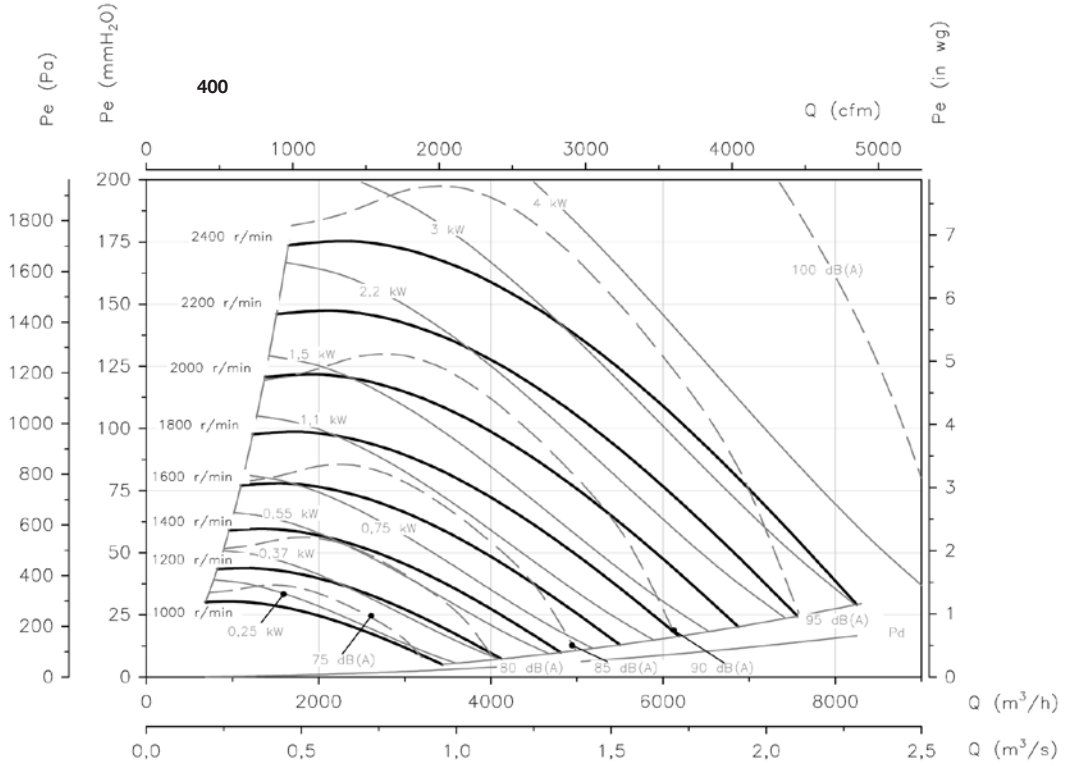


CENTRIFUGAL FANS AND IN-LINE DUCT EXTRACTOR FANS

Characteristic curves

Q= Flow rate in m³/h, m³/s and cfm

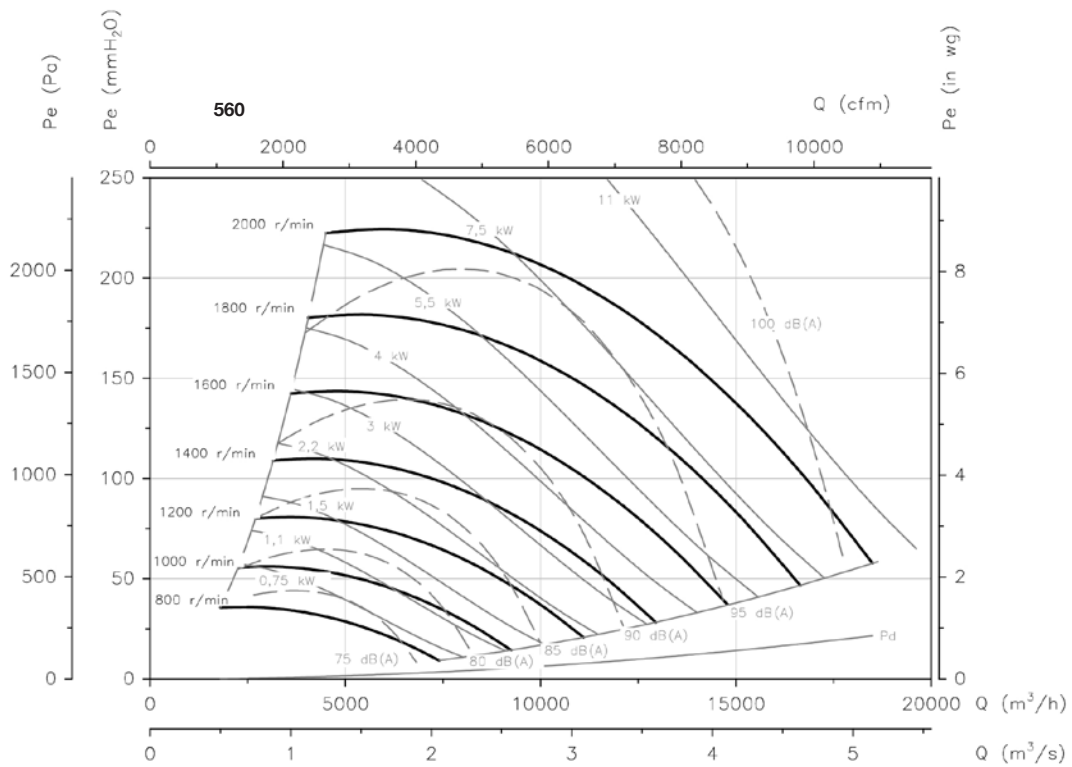
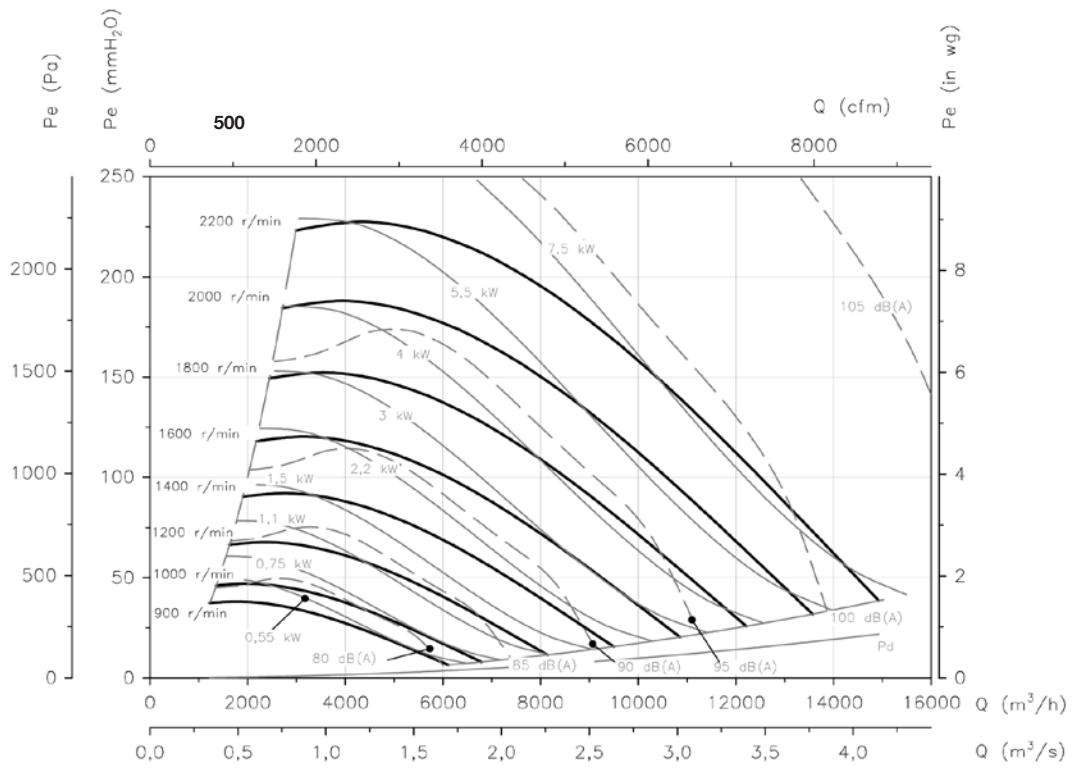
Pe= Static pressure in mm H₂O, Pa and inwg



Characteristic curves

Q= Flow rate in m³/h, m³/s and cfm

Pe= Static pressure in mm H₂O, Pa and inwg

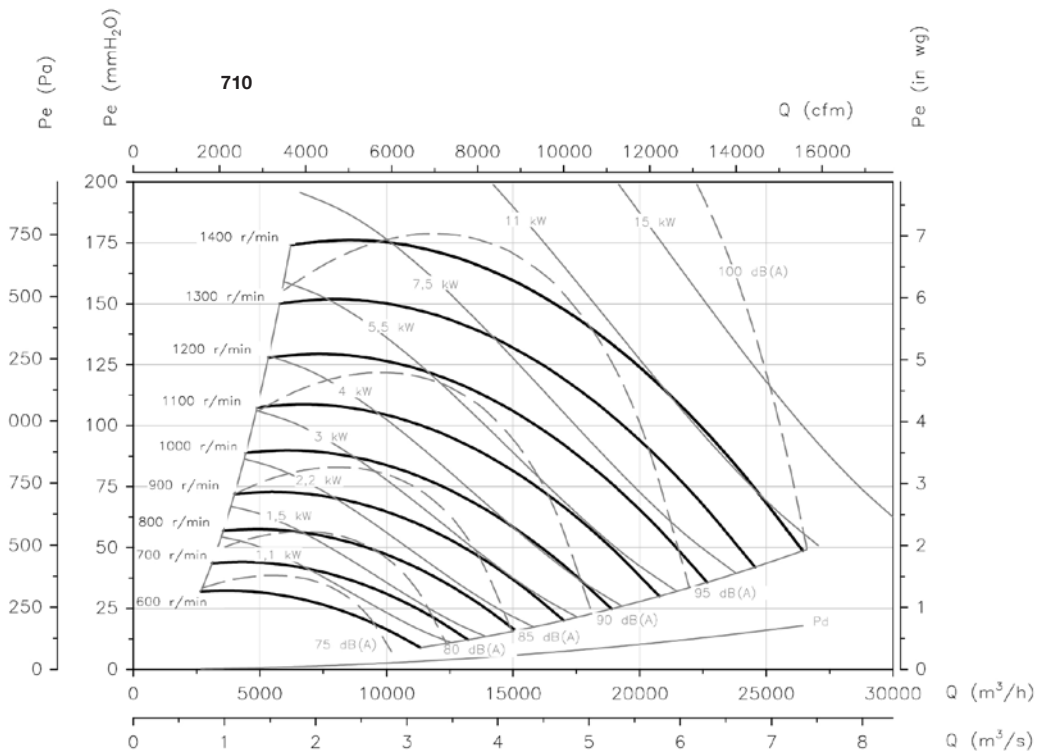
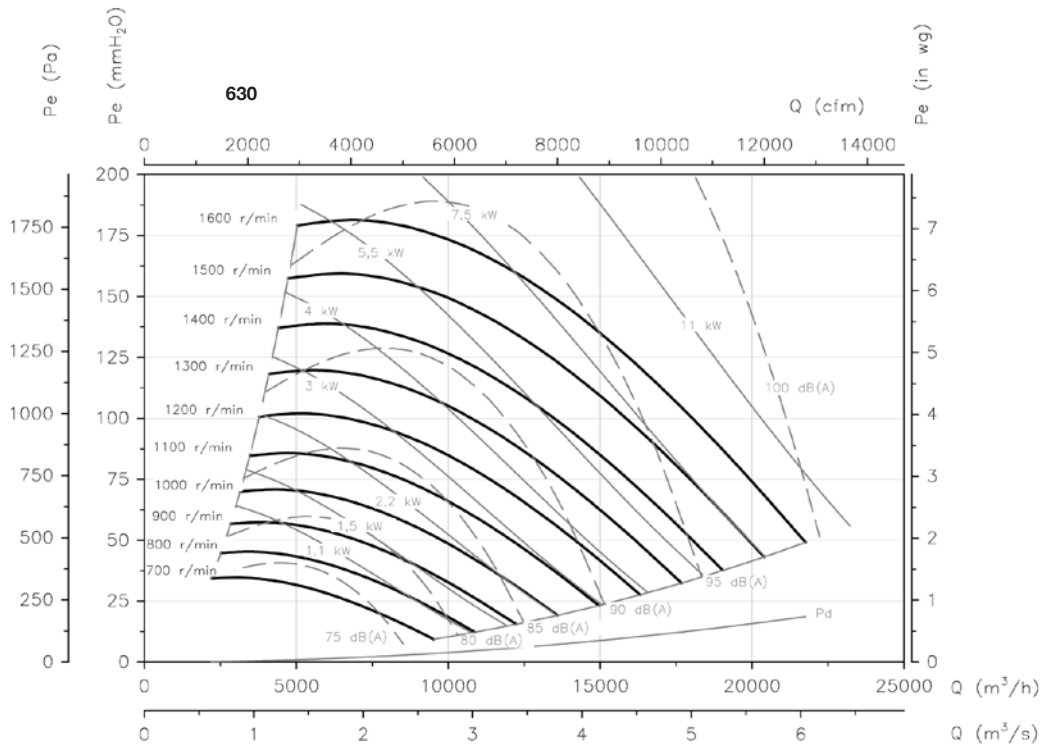


CENTRIFUGAL FANS AND IN-LINE DUCT EXTRACTOR FANS

Characteristic curves

Q= Flow rate in m³/h, m³/s and cfm

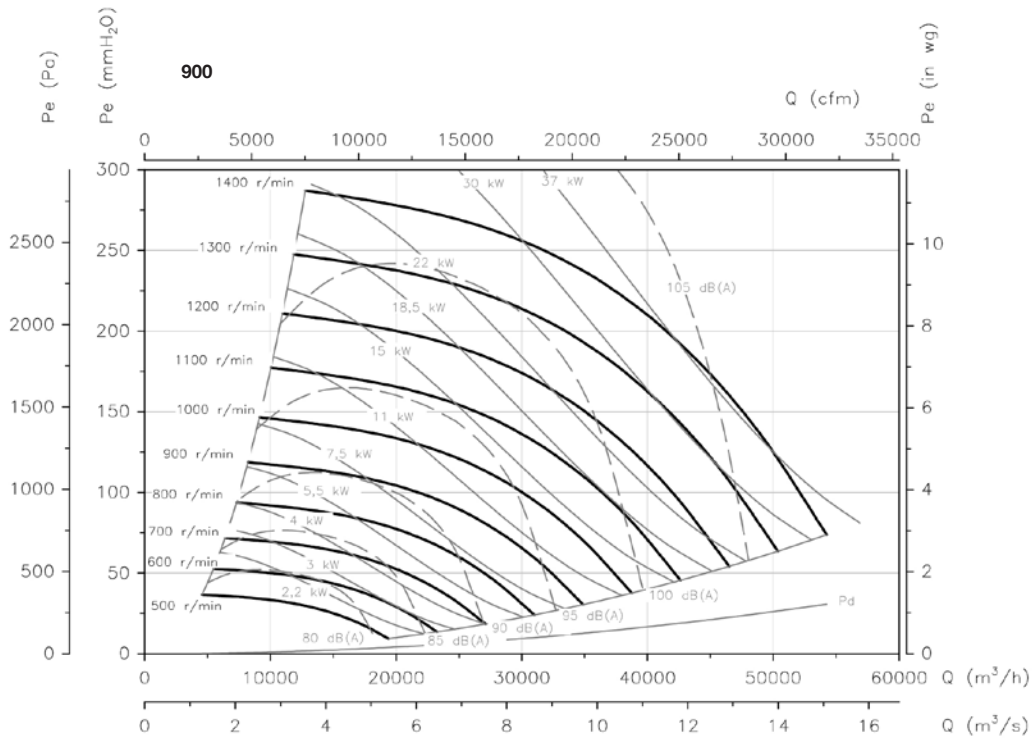
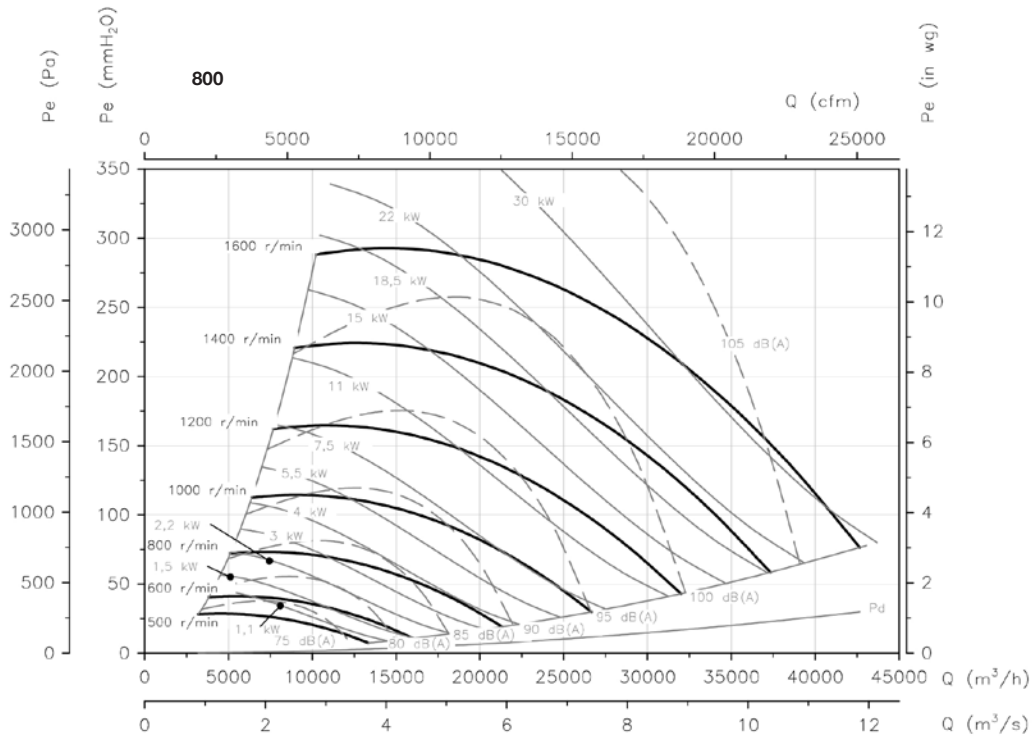
Pe= Static pressure in mm H₂O, Pa and inwg



Characteristic curves

Q= Flow rate in m³/h, m³/s and cfm

Pe= Static pressure in mm H₂O, Pa and inwg

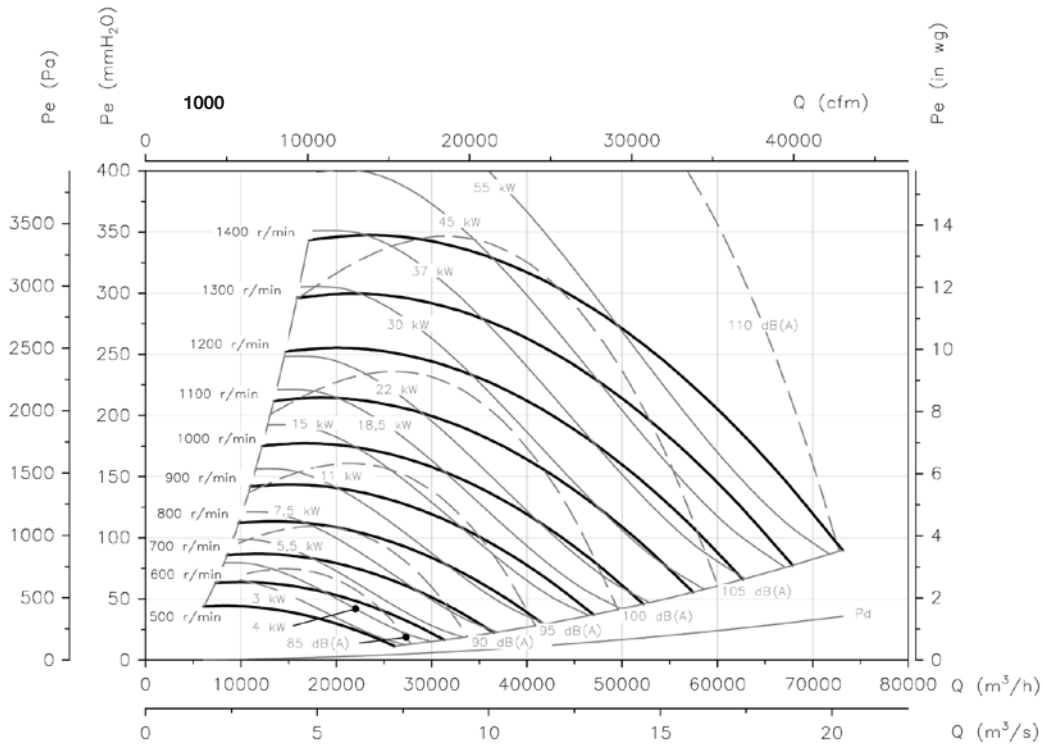


CENTRIFUGAL FANS AND IN-LINE DUCT EXTRACTOR FANS

Characteristic curves

Q= Flow rate in m³/h, m³/s and cfm

Pe= Static pressure in mm H₂O, Pa and inwg



Accessories

See accessories section.



TSA TSAT CJTSA

TSA: Single inlet, belt-driven centrifugal fans with shaft outlet and forward-curved impeller.

TSAT: Single inlet, belt-driven centrifugal fans fitted with electric motors, a set of pulleys and belts, protectors and forward-curved impeller.

CJTSA: Ventilation units with forward-curved impeller and acoustic insulation, fitted with TSA series fans mounted on rubber shock-absorbers.



Fan:

- Galvanised sheet steel casing.
- Forward-curved impeller made of galvanised sheet steel.
- Galvanised sheet steel structure with thermal and acoustic insulation (CJTSA).
- Cable gland for cable inlet (CJTSA).

Finish:

- Anti-corrosive finish on galvanised sheet steel.

On request:

- Different outlet nozzle positions.
- Special windings for different voltages.
- With 2-speed motors.

Motor:

- IE3 efficiency motors for powers equal to or greater than 0.75 kW except single-phase, 2-speed and 8-pole.
- Class F motors with ball bearings and IP55 protection.
- Three-phase 230/400 V-50 Hz (up to 4 kW) and 400/690 V-50 Hz (powers higher than 4 kW).
- Maximum temperature of air to be carried: TSA and TSAT: -20 °C +85 °C CJTSA: -20 °C + 60 °C

Order code

TSA — 22/11



TSA: Single inlet centrifugal fans with free shaft outlets.

Impeller size

CJTSA — 22/11 — 3



TSAT: Single inlet, belt-driven centrifugal fans fitted with electric motors.

Impeller size in inches

Motor power (HP)

CJTSA: Ventilation units with a forward-curved impeller.

Technical characteristics

Model	Max. speed	Max. installed power	Max. flow rate	Air temperature (°C)		Approx. weight	According to ErP
	(r/min)	(kW)	(m3/h)	min.	max.	(kg)	
TSA-12/6	1500	2.20	4800	-20	85	17.5	2015
TSA-15/7	1050	3.00	7400	-20	85	22.5	2015
TSA-18/9	920	4.00	10500	-20	85	33.0	2015
TSA-20/10	850	5.50	15000	-20	85	71.0	2015
TSA-22/11	1000	18.50	26000	-20	85	80.0	2015
TSA-25/13	810	18.50	32000	-20	85	93.0	2015
TSA-30/14	600	18.50	38000	-20	85	125.0	2015

CENTRIFUGAL FANS AND IN-LINE DUCT EXTRACTOR FANS

Technical characteristics

Model	Speed (r/min)	Maximum admissible current (A)			Installed power (kW)	Maximum flow rate (m ³ /h)	Sound pressure level (dBA)	Approx. weight (kg)	According to ErP
		230 V	400 V	690 V					
TSAT CJTSA 12/6-0.75	1000	2.64	1.52		0.55	2600	69	73	2015
TSAT CJTSA 12/6-1 IE3	1100	2.82	1.62		0.75	3100	71	75	2015
TSAT CJTSA 12/6-1.5 IE3	1250	4.07	2.34		1.10	3500	74	81	2015
TSAT CJTSA 12/6-2 IE3	1300	5.41	3.11		1.50	4250	77	88	2015
TSAT CJTSA 12/6-3 IE3	1500	7.93	4.56		2.20	4800	79	86	2015
TSAT CJTSA 15/7-1 IE3	800	2.82	1.62		0.75	4000	67	93	2015
TSAT CJTSA 15/7-1.5 IE3	850	4.07	2.34		1.10	4800	69	99	2015
TSAT CJTSA 15/7-2 IE3	920	5.41	3.11		1.50	5400	72	106	2015
TSAT CJTSA 15/7-3 IE3	1000	7.93	4.56		2.20	6400	75	104	2015
TSAT CJTSA 15/7-4 IE3	1050	10.70	6.15		3.00	7400	77	111	2015
TSAT CJTSA 18/9-1.5 IE3	750	4.07	2.34		1.10	5800	68	115	2015
TSAT CJTSA 18/9-2 IE3	790	5.41	3.11		1.50	6600	70	122	2015
TSAT CJTSA 18/9-3 IE3	800	7.93	4.56		2.20	8200	74	120	2015
TSAT CJTSA 18/9-4 IE3	850	10.70	6.15		3.00	9000	76	127	2015
TSAT CJTSA 18/9-5.5 IE3	920	13.90	8.00		4.00	10500	78	127	2015
TSAT CJTSA 20/10-2 IE3	650	5.41	3.11		1.50	8100	65	211	2015
TSAT CJTSA 20/10-3 IE3	690	7.93	4.56		2.20	10100	68	209	2015
TSAT CJTSA 20/10-4 IE3	750	10.70	6.15		3.00	11500	70	216	2015
TSAT CJTSA 20/10-5.5 IE3	790	13.90	8.00		4.00	13100	73	216	2015
TSAT CJTSA 20/10-7.5 IE3	850		10.30	5.97	5.50	15000	75	250	2015
TSAT CJTSA 22/11-3 IE3	580	7.93	4.56		2.20	11200	67	220	2015
TSAT CJTSA 22/11-4 IE3	610	10.70	6.15		3.00	13000	70	227	2015
TSAT CJTSA 22/11-5.5 IE3	650	13.90	8.00		4.00	15000	72	227	2015
TSAT CJTSA 22/11-7.5 IE3	690		10.30	5.97	5.50	17000	74	261	2015
TSAT CJTSA 22/11-10 IE3	750		13.90	8.06	7.50	19000	76	262	2015
TSAT CJTSA 22/11-15 IE3	830		20.90	12.10	11	22000	79	298	2015
TSAT CJTSA 22/11-20 IE3	910		27.90	16.20	15.00	24500	81	309	2015
TSAT CJTSA 22/11-25 IE3	1000		35.10	20.30	18.5	26000	83	354	2015
TSAT CJTSA 25/13-4 IE3	520	10.70	6.15		3.00	14000	62	259	2015
TSAT CJTSA 25/13-5.5 IE3	550	13.90	8.00		4	17000	65	259	2015
TSAT CJTSA 25/13-7.5 IE3	590		10.30	5.97	5.50	19500	67	293	2015
TSAT CJTSA 25/13-10 IE3	620		13.90	8.06	7.5	23000	70	294	2015
TSAT CJTSA 25/13-15 IE3	690		20.90	12.10	11.00	26500	74	330	2015
TSAT CJTSA 25/13-20 IE3	750		27.90	16.20	15.00	29500	75	341	2015
TSAT CJTSA 25/13-25 IE3	810		35.10	20.30	18.50	32000	77	386	2015
TSAT CJTSA 30/14-5.5 IE3	400	13.90	8.00		4	21000	69	333	2015
TSAT CJTSA 30/14-7.5 IE3	425		10.30	5.97	5.5	24000	72	367	2015
TSAT CJTSA 30/14-10 IE3	460		13.90	8.06	7.5	27500	74	368	2015
TSAT CJTSA 30/14-15 IE3	500		20.90	12.10	11	33000	77	404	2015
TSAT CJTSA 30/14-20 IE3	550		27.90	16.20	15	36500	78	415	2015
TSAT CJTSA 30/14-25 IE3	600		35.10	20.30	18.5	38000	81	460	2015

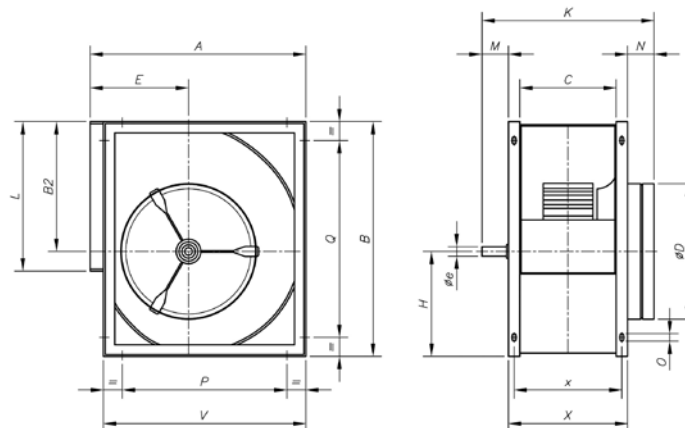


Erp. (Energy Related Products)

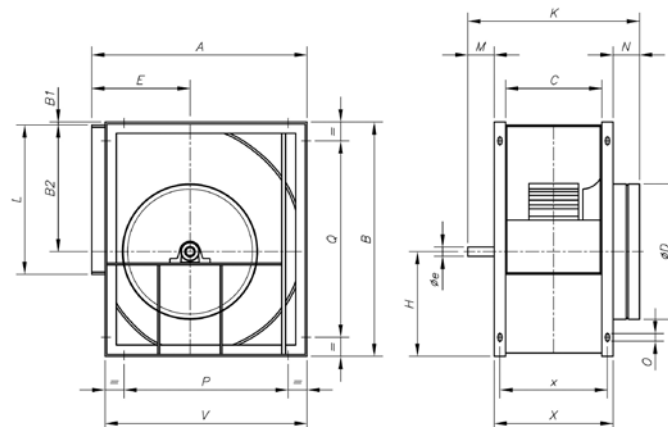
Information on Directive 2009/125/EC can be downloaded from the SODECA website or the QuickFan selector programme.

Dimensions mm

TSA



	A	B	B2	C	øD	E	øe	H	K	L	M	N	O	P	Q	V	X	x
TSA-12/6	498	532	290	210	325	230	25	242	435	345	75	90	9x17	324	324	468	270	242
TSA-15/7	583	632	348	269	400	265	25	284	494	404	75	90	9x17	406	406	553	329	301
TSA-18/9	694	756	415	301	475	323	25	341	526	482	75	90	9x17	520	608	664	361	333

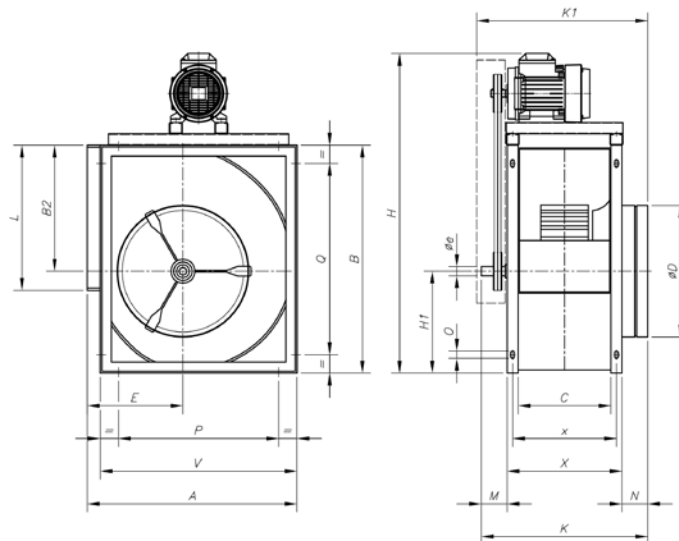


	A	B	B1	B2	C	øD	E	øe	H	K	L	M	N	O	P	Q	V	X	x
TSA-20/10	843	963	35	523	330	575	375	35	440	620	603	100	110	9x17	646	811	798	410	370
TSA-22/11	913	1046	35	569	358	615	400	35	477	648	693	100	110	9x17	716	894	868	438	398
TSA-25/13	998	1161	35	642	412	695	423	35	519	701	793	100	110	9x17	801	1009	953	492	452
TSA-30/14	1206	1400	35	776	474	835	515	40	624	764	933	100	110	9x17	1009	1248	1161	554	514

CENTRIFUGAL FANS AND IN-LINE DUCT EXTRACTOR FANS

Dimensions mm

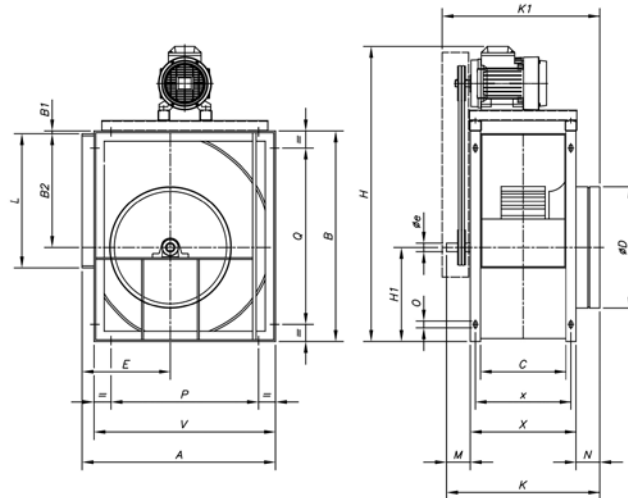
TSAT
Standard
supply RD 90



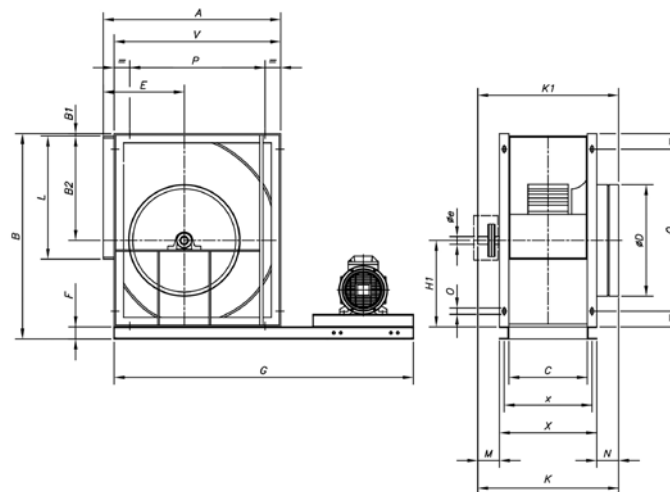
	A	B	B2	C	øD	E	øe	H	H1	K	K1	L	M	N	O	P	Q	V	X	x
TSAT-12/6-0.75	498	532	290	210	325	230	25	805	242	435	475	345	75	90	9x17	324	324	468	270	242
TSAT-12/6-1	498	532	290	210	325	230	25	805	242	435	475	345	75	90	9x17	324	324	468	270	242
TSAT-12/6-1.5	498	532	290	210	325	230	25	825	242	435	475	345	75	90	9x17	324	324	468	270	242
TSAT-12/6-2	498	532	290	210	325	230	25	825	242	435	475	345	75	90	9x17	324	324	468	270	242
TSAT-12/6-3	498	532	290	210	325	230	25	845	242	435	475	345	75	90	9x17	324	324	468	270	242
TSAT-15/7-1	583	632	348	269	400	265	25	905	284	494	535	404	75	90	9x17	406	406	553	329	301
TSAT-15/7-1.5	583	632	348	269	400	265	25	925	284	494	535	404	75	90	9x17	406	406	553	329	301
TSAT-15/7-2	583	632	348	269	400	265	25	925	284	494	535	404	75	90	9x17	406	406	553	329	301
TSAT-15/7-3	583	632	348	269	400	265	25	945	284	494	535	404	75	90	9x17	406	406	553	329	301
TSAT-15/7-4	583	632	348	269	400	265	25	945	284	494	535	404	75	90	9x17	406	406	553	329	301
TSAT-18/9-1.5	694	756	415	301	475	323	25	1050	341	526	566	482	75	90	9x17	520	608	664	361	333
TSAT-18/9-2	694	756	415	301	475	323	25	1050	341	526	566	482	75	90	9x17	520	608	664	361	333
TSAT-18/9-3	694	756	415	301	475	323	25	1070	341	526	566	482	75	90	9x17	520	608	664	361	333
TSAT-18/9-4	694	756	415	301	475	323	25	1070	341	526	566	482	75	90	9x17	520	608	664	361	333
TSAT-18/9-5.5	694	756	415	301	475	323	25	1095	341	526	566	482	75	90	9x17	520	608	664	361	333

Dimensions mm

**TSAT
Standard
supply RD 90**



	A	B	B1	B2	C	øD	E	øe	H	H1	K	K1	L	M	N	O	P	Q	V	X	x
TSAT-20/10-2	843	963	35	523	330	575	375	35	1255	440	620	670	603	100	110	9x17	646	811	798	410	370
TSAT-20/10-3	843	963	35	523	330	575	375	35	1275	440	620	670	603	100	110	9x17	646	811	798	410	370
TSAT-20/10-4	843	963	35	523	330	575	375	35	1275	440	620	670	603	100	110	9x17	646	811	798	410	370
TSAT-20/10-5'5	843	963	35	523	330	575	375	35	1300	440	620	670	603	100	110	9x17	646	811	798	410	370
TSAT-22/11-3	913	1046	35	569	358	615	400	35	1355	477	648	700	693	100	110	9x17	716	894	868	438	398
TSAT-22/11-4	913	1046	35	569	358	615	400	35	1355	477	648	700	693	100	110	9x17	716	894	868	438	398
TSAT-22/11-5'5	913	1046	35	569	358	615	400	35	1280	477	648	700	693	100	110	9x17	716	894	868	438	398
TSAT-25/13-4	998	1161	35	642	412	695	423	35	1470	519	701	750	793	100	110	9x17	801	1009	953	492	452
TSAT-25/13-5'5	998	1161	35	642	412	695	423	35	1495	519	701	750	793	100	110	9x17	801	1009	953	492	452
TSAT-30/14-5'5	1206	1400	35	776	474	835	515	40	1735	624	764	815	933	100	110	9x17	1009	1248	1161	554	514

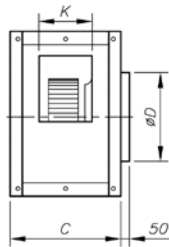
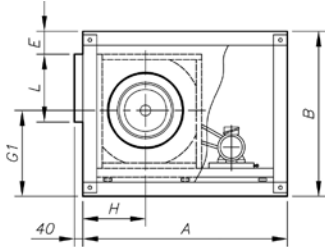


	A	B	B1	B2	C	øD	E	F	G	øe	H	H1	K	K1	L	M	N	O	P	Q	V	X	x
TSAT-20/10-7.5	843	963	35	523	330	575	375	35	1350	35	1340	440	620	670	603	100	110	9x17	646	811	798	410	370
TSAT-22/11-7.5	913	1046	35	569	358	615	400	35	1435	35	1420	477	648	700	693	100	110	9x17	716	894	868	438	398
TSAT-22/11-10	913	1046	35	569	358	615	400	35	1435	35	1420	477	648	700	693	100	110	9x17	716	894	868	438	398
TSAT-22/11-15	913	1046	35	569	358	615	400	35	1435	35	1480	477	648	700	693	100	110	9x17	716	894	868	438	398
TSAT-22/11-20	913	1046	35	569	358	615	400	35	1435	35	1480	477	648	700	693	100	110	9x17	716	894	868	438	398
TSAT-22/11-25	913	1046	35	569	358	615	400	35	1435	35	1565	477	648	700	693	100	110	9x17	716	894	868	438	398
TSAT-25/13-7.5	998	1161	35	642	412	695	423	35	1515	35	1540	519	701	750	793	100	110	9x17	801	1009	953	492	452
TSAT-25/13-10	998	1161	35	642	412	695	423	35	1515	35	1540	519	701	750	793	100	110	9x17	801	1009	953	492	452
TSAT-25/13-15	998	1161	35	642	412	695	423	35	1515	35	1565	519	701	750	793	100	110	9x17	801	1009	953	492	452
TSAT-25/13-20	998	1161	35	642	412	695	423	35	1515	35	1565	519	701	750	793	100	110	9x17	801	1009	953	492	452
TSAT-25/13-25	998	1161	35	642	412	695	423	35	1515	35	1680	519	701	750	793	100	110	9x17	801	1009	953	492	452
TSAT-30/14-7.5	1206	1400	35	776	474	835	515	35	1765	40	1775	624	764	815	933	100	110	9x17	1009	1248	1161	554	514
TSAT-30/14-10	1206	1400	35	776	474	835	515	35	1765	40	1775	624	764	815	933	100	110	9x17	1009	1248	1161	554	514
TSAT-30/14-15	1206	1400	35	776	474	835	515	35	1765	40	1835	624	764	815	933	100	110	9x17	1009	1248	1161	554	514
TSAT-30/14-20	1206	1400	35	776	474	835	515	35	1765	40	1835	624	764	815	933	100	110	9x17	1009	1248	1161	554	514
TSAT-30/14-25	1206	1400	35	776	474	835	515	35	1765	40	1925	624	764	815	933	100	110	9x17	1009	1248	1161	554	514

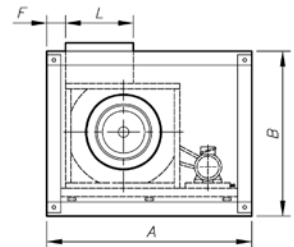
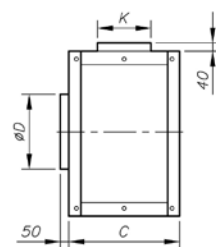
Dimensions mm

CJTSA

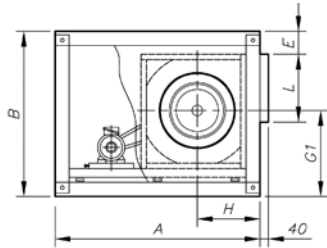
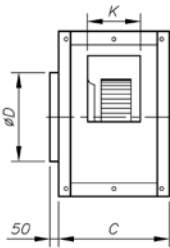
Standard supply horizontal impulsion (H) RD-90



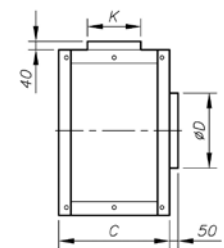
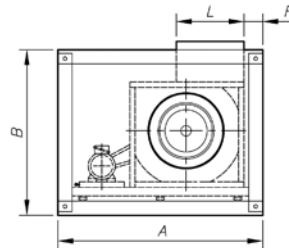
Vertical impulsion on request (V) RD-0



Horizontal impulsion on request (H) LG-90



Vertical impulsion on request (V) LG-0



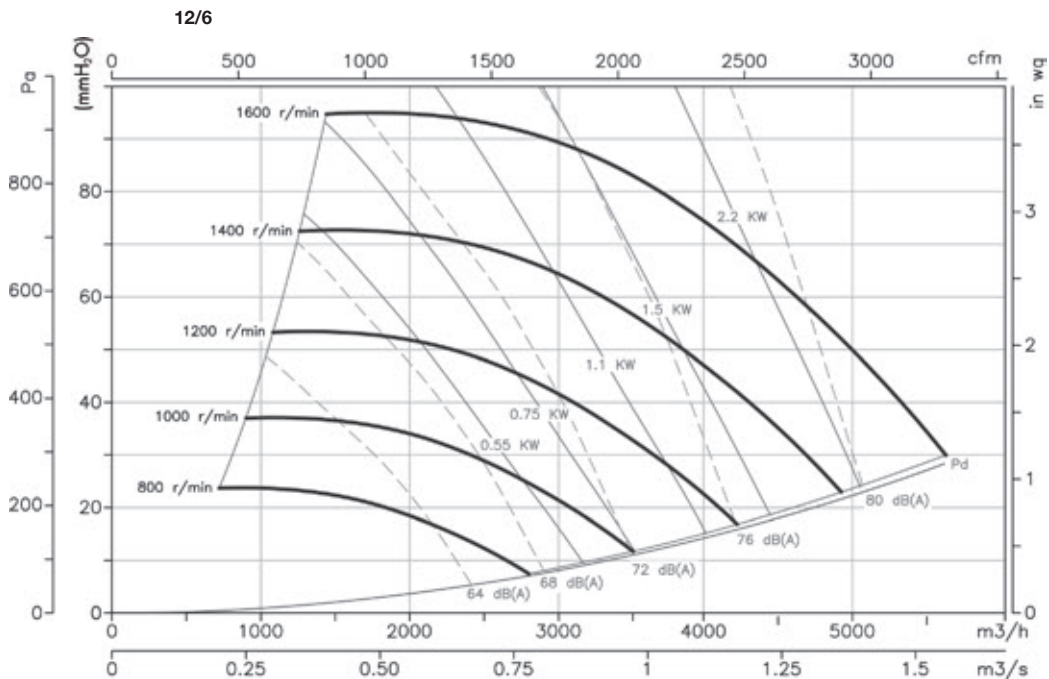
with bench with bench with bench with bench

	A	B	C	ØD	E	E	F	G1	G1	H	L	L	K
CJTSA-12/6-H	850	650	540	330	74	-	-	288	-	288	346	-	210
CJTSA-12/6-V	850	650	540	330	-	-	30	318	-	328	346	-	210
CJTSA-15/7-H	1000	755	600	400	74	-	-	328	-	328	411	-	270
CJTSA-15/7-V	1000	755	600	400	-	-	30	378	-	383	411	-	270
CJTSA-18/9-H	1200	875	620	480	74	-	-	383	-	388	491	-	305
CJTSA-18/9-V	1200	875	620	480	-	-	30	433	-	448	491	-	305
CJTSA-20/10-H	1485	1175	730	565	175	120	-	475	530	440	613	605	343
CJTSA-20/10-V	1485	1175	730	565	-	-	75	535	-	585	613	-	343
CJTSA-22/11-H	1570	1250	760	615	165	110	-	510	565	470	708	700	373
CJTSA-22/11-V	1570	1250	760	615	-	-	75	570	-	640	708	-	373
CJTSA-25/13-H	1610	1375	820	685	175	120	-	550	605	495	803	795	423
CJTSA-25/13-V	1610	1375	820	685	-	-	75	625	-	705	803	-	423
CJTSA-30/14-H	1845	1600	855	820	160	95	-	655	710	580	943	935	488
CJTSA-30/14-V	1845	1600	855	820	-	-	75	760	-	825	943	-	488

Characteristic curves

Q= Flow rate in m³/h, m³/s and cfm

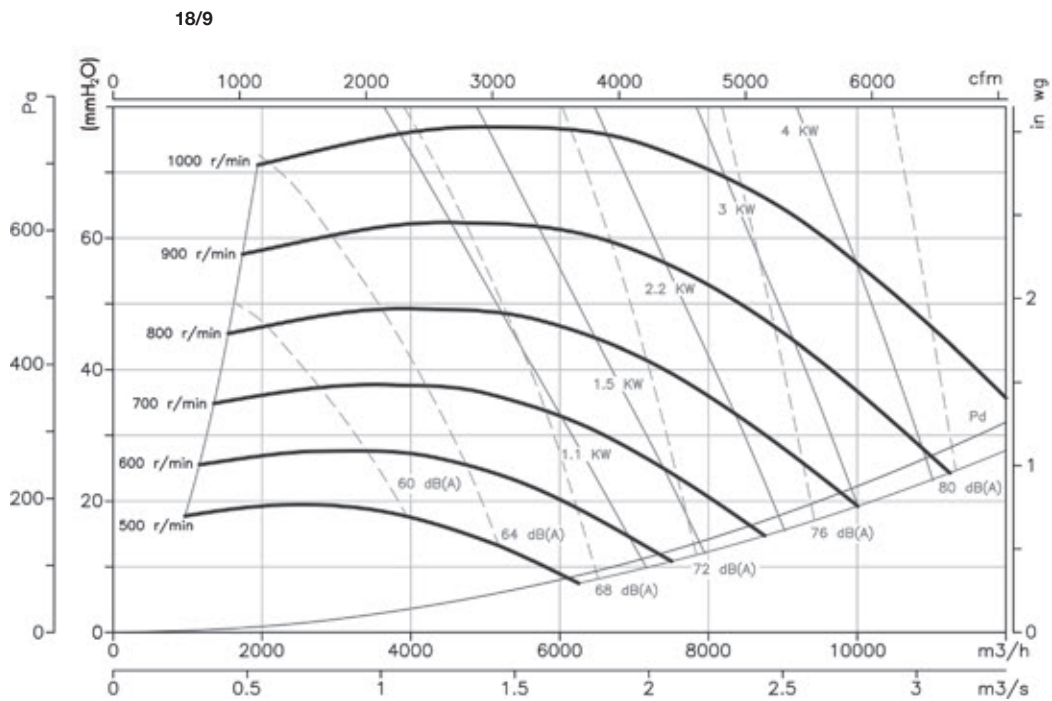
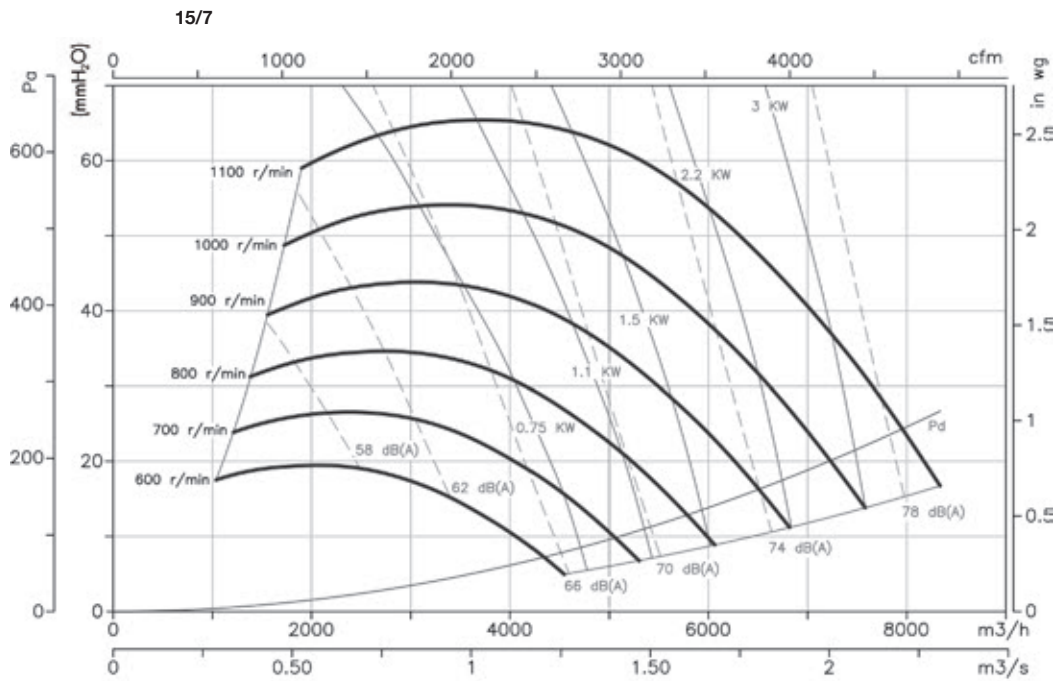
Pe= Static pressure in mm H₂O, Pa and inwg



Characteristic curves

Q= Flow rate in m³/h, m³/s and cfm

Pe= Static pressure in mm H₂O, Pa and inwg

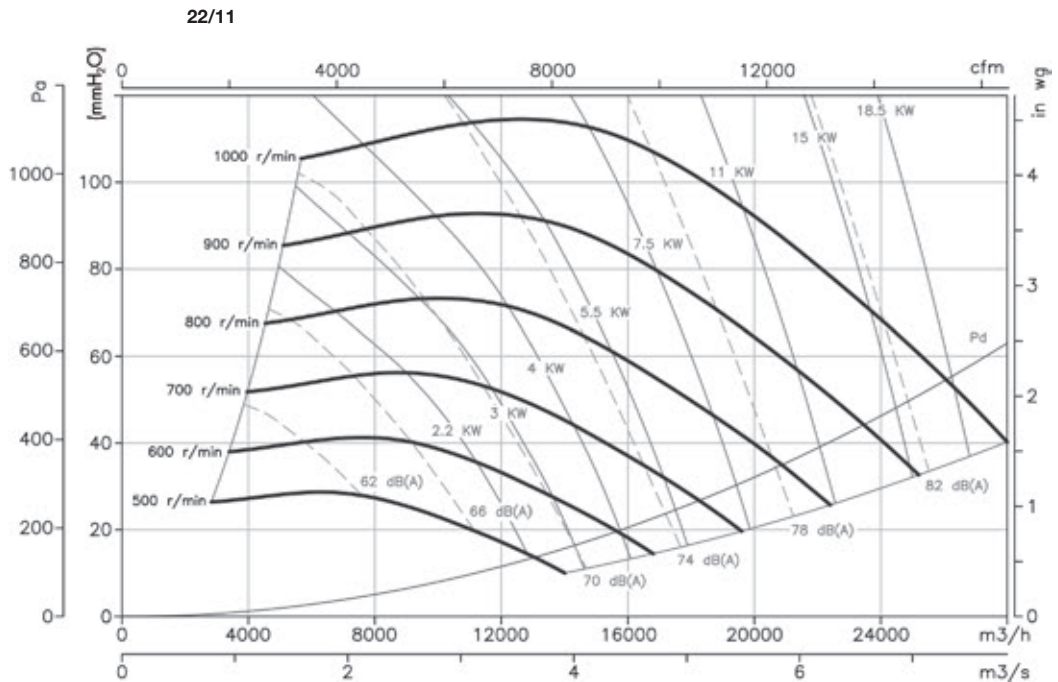
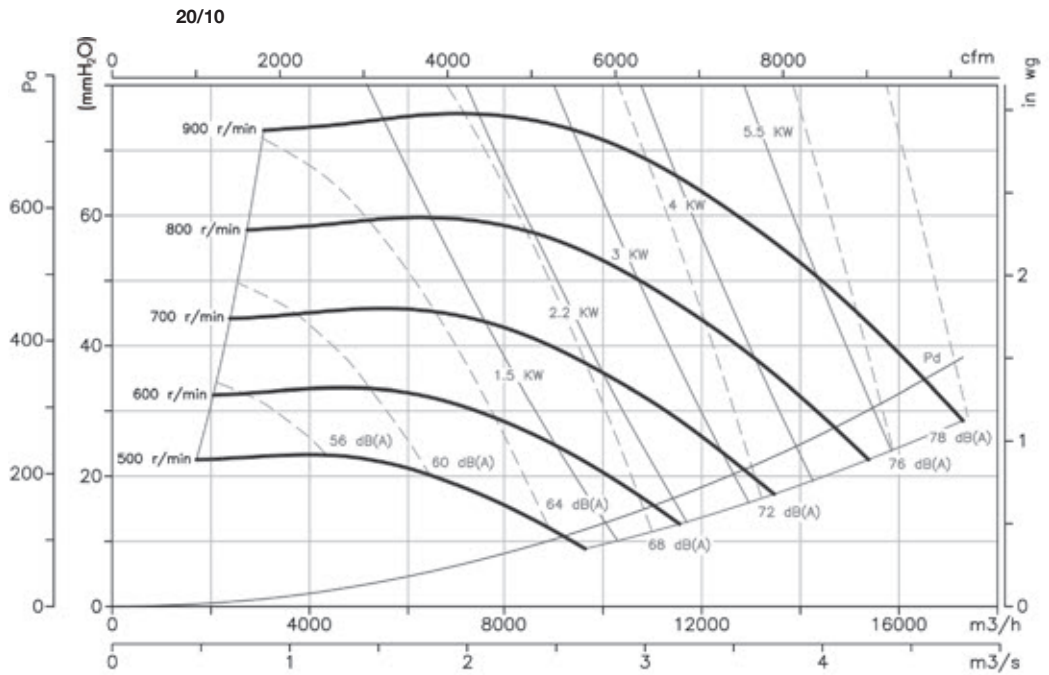


CENTRIFUGAL FANS AND IN-LINE DUCT EXTRACTOR FANS

Characteristic curves

Q= Flow rate in m³/h, m³/s and cfm

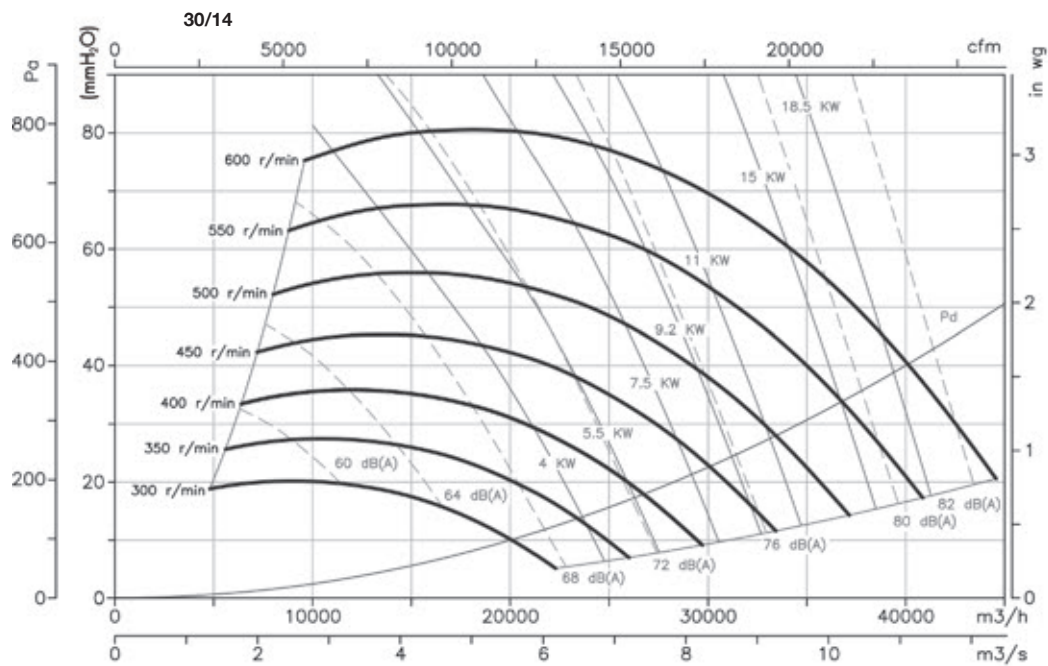
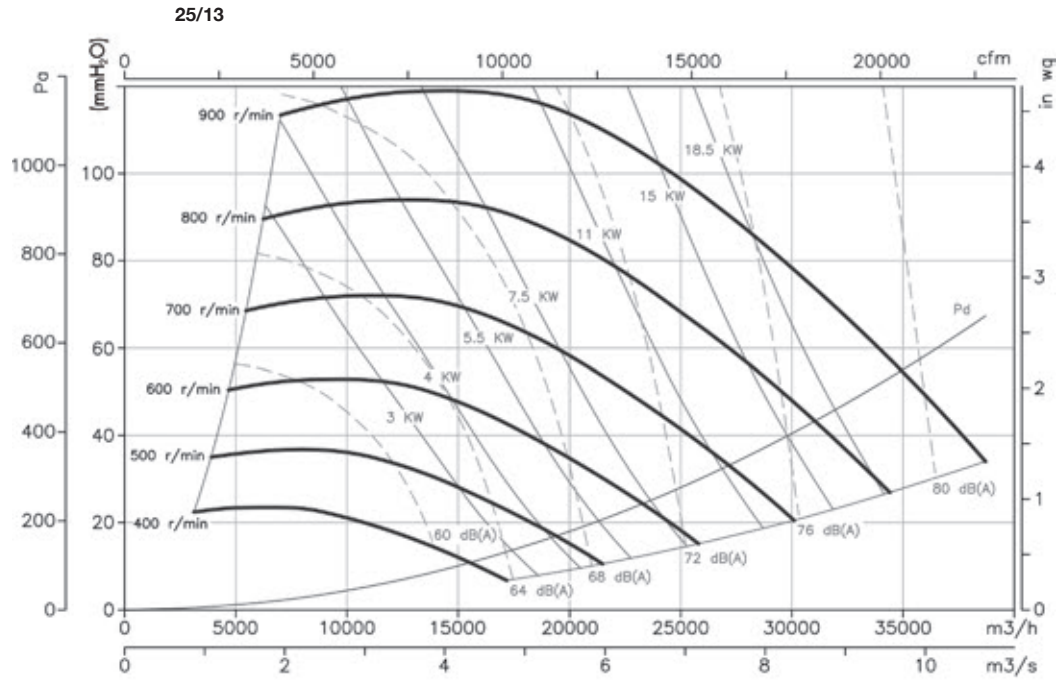
Pe= Static pressure in mm H₂O, Pa and inwg



Characteristic curves

Q= Flow rate in m³/h, m³/s and cfm

Pe= Static pressure in mm H₂O, Pa and inwg



Accessories

See accessories section.



CJSRX



400 °C/2h belt-driven extractor fan units to operate outside the fire zone, with reaction impellers.



Extremely robust, high performance reaction impeller

Belt-driven 400 °C/2h extractor fan units with reaction impeller fitted with electric motors and a standardised set of pulleys, belts and protectors in accordance with standard ISO-13857.

Fan:

- Sheet steel casing.
- Impeller with reaction blades made of sheet steel.
- Approved as per standard EN 12101-3 with certificate no. 0370-CPR-1578.
- Standardised set of pulleys, belts and protectors in accordance with standard ISO-13857.

- Three-phase 230/400 V - 50 Hz (up to 4 kW) and 400/690 V - 50 Hz (powers higher than 4 kW).
- Maximum temperature of air to be carried: -20 °C +150 °C.

Finish:

- Anti-corrosive galvanised sheet steel.

On request:

- Special windings for different voltages.

Motor:

- IE3 efficiency motors for powers equal to or greater than 0.75 kW except single-phase, 2-speed and 8-pole.
- Class F motors with ball bearings and IP55 protection.

Order code

CJSRX — 800 — 5.5 — F-400

CJSRX: 400 °C/2h, belt-driven extractor fan units that operate with reaction impellers.

Impeller size

Motor power (HP)

F-400: 400 °C/2h approved

Technical characteristics

Model	Speed (r/min)	Maximum admissible current (A)			Installed power (kW)	Maximum flow rate (m ³ /h)	Approx. weight (kg)	According to ErP
		230 V	400 V	690 V				
CJSRX-315-1 IE3	2095	2.82	1.62		0.75	3430	111	2015
CJSRX-315-1.5 IE3	2375	4.07	2.34		1.10	3885	119	2015
CJSRX-315-2 IE3	2655	5.41	3.11		1.50	4345	124	2015
CJSRX-315-3 IE3	3000	7.93	4.56		2.20	4910	129	2015
CJSRX-355-0.75	1580	2.92	1.69		0.55	3685	126	2015
CJSRX-355-1 IE3	1765	2.82	1.62		0.75	4120	127	2015
CJSRX-355-1.5 IE3	2010	4.07	2.34		1.10	4690	135	2015
CJSRX-355-2 IE3	2225	5.41	3.11		1.50	5190	140	2015
CJSRX-355-3 IE3	2530	7.93	4.56		2.20	5905	144	2015
CJSRX-355-4 IE3	2860	10.70	6.15		3.00	6675	150	2015
CJSRX-400-1 IE3	1465	2.82	1.62		0.75	4855	155	2015
CJSRX-400-1.5 IE3	1665	4.07	2.34		1.10	5515	160	2015

Technical characteristics

Model	Speed (r/min)	Maximum admissible current (A)			Installed power (kW)	Maximum flow rate (m ³ /h)	Approx. weight (kg)	According to ErP
		230 V	400 V	690 V				
CJSRX-400-2 IE3	1845	5.41	3.11		1.50	6110	171	2015
CJSRX-400-3 IE3	2100	7.93	4.56		2.20	6955	172	2015
CJSRX-400-4 IE3	2370	10.70	6.15		3.00	7850	174	2015
CJSRX-400-5.5 IE3	2610	13.90	8.00		4.00	8645	181	2015
CJSRX-450-1 IE3	1220	2.82	1.62		0.75	5620	186	2015
CJSRX-450-1.5 IE3	1390	4.07	2.34		1.10	6405	189	2015
CJSRX-450-2 IE3	1540	5.41	3.11		1.50	7095	200	2015
CJSRX-450-3 IE3	1750	7.93	4.56		2.20	8065	201	2015
CJSRX-450-4 IE3	1980	10.70	6.15		3.00	9120	203	2015
CJSRX-450-5.5 IE3	2180	13.90	8.00		4.00	10045	210	2015
CJSRX-450-7.5 IE3	2420		10.30	5.97	5.50	11150	253	2015
CJSRX-450-10 IE3	2670		13.90	8.06	7.50	12300	229	2015
CJSRX-500-1.5 IE3	1140	4.07	2.34		1.10	7330	228	2015
CJSRX-500-2 IE3	1270	5.41	3.11		1.50	8165	238	2015
CJSRX-500-3 IE3	1445	7.93	4.56		2.20	9290	240	2015
CJSRX-500-4 IE3	1635	10.70	6.15		3.00	10510	246	2015
CJSRX-500-5.5 IE3	1800	13.90	8.00		4.00	11570	252	2015
CJSRX-500-7.5 IE3	2000		10.30	5.97	5.50	12855	291	2015
CJSRX-500-10 IE3	2220		13.90	8.06	7.50	14270	267	2015
CJSRX-500-15 IE3	2300		20.90	12.10	11.00	14785	321	2015
CJSRX-560-2 IE3	1035	5.41	3.11		1.50	9885	304	2015
CJSRX-560-3 IE3	1185	7.93	4.56		2.20	11360	299	2015
CJSRX-560-4 IE3	1340	10.70	6.15		3.00	12880	306	2015
CJSRX-560-5.5 IE3	1475	13.90	8.00		4.00	14210	312	2015
CJSRX-560-7.5 IE3	1640		10.30	5.97	5.50	15830	351	2015
CJSRX-560-10 IE3	1815		13.90	8.06	7.50	17555	327	2015
CJSRX-560-15 IE3	2065		20.90	12.10	11.00	20010	381	2015
CJSRX-630-3 IE3	1010	7.93	4.56		2.20	12120	339	2015
CJSRX-630-4 IE3	1140	10.70	6.15		3.00	13680	345	2015
CJSRX-630-5.5 IE3	1255	13.90	8.00		4.00	15060	351	2015
CJSRX-630-7.5 IE3	1395		10.30	5.97	5.50	16740	390	2015
CJSRX-630-10 IE3	1550		13.90	8.06	7.50	18600	366	2015
CJSRX-630-15 IE3	1760		20.90	12.10	11.00	21120	420	2015
CJSRX-630-20 IE3	1900		27.90	16.20	15.00	22800	442	2015
CJSRX-710-4 IE3	960	10.70	6.15		3.00	17065	416	2015
CJSRX-710-5.5 IE3	1060	13.90	8.00		4.00	18845	422	2015
CJSRX-710-7.5 IE3	1180		10.30	5.97	5.50	20980	461	2015
CJSRX-710-10 IE3	1305		13.90	8.06	7.50	23200	456	2015
CJSRX-710-15 IE3	1485		20.90	12.10	11.00	26400	491	2015
CJSRX-710-20 IE3	1670		27.90	16.20	15.00	29690	513	2015
CJSRX-710-25 IE3	1750		35.10	20.30	18.50	31110	546	2015



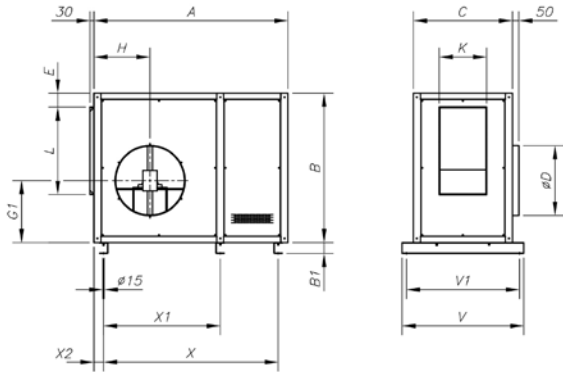
Erp. (Energy Related Products)

Information on Directive 2009/125/EC can be downloaded from the SODECA website or the QuickFan selector programme.

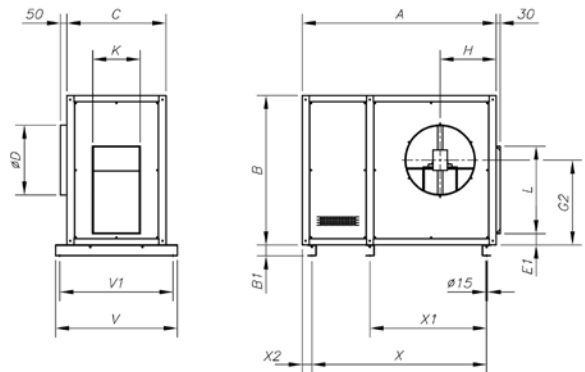
Dimensions mm

CJSRX

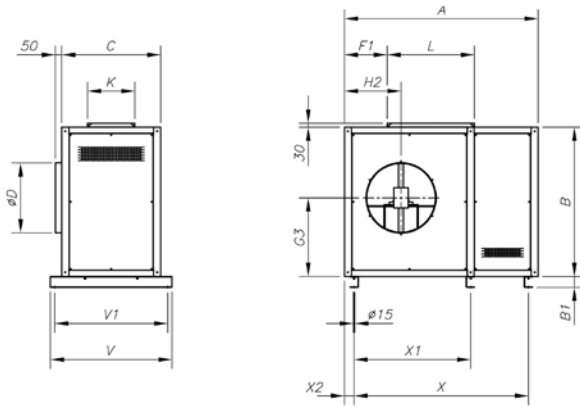
Standard supply horizontal impulsion (H) RD 90



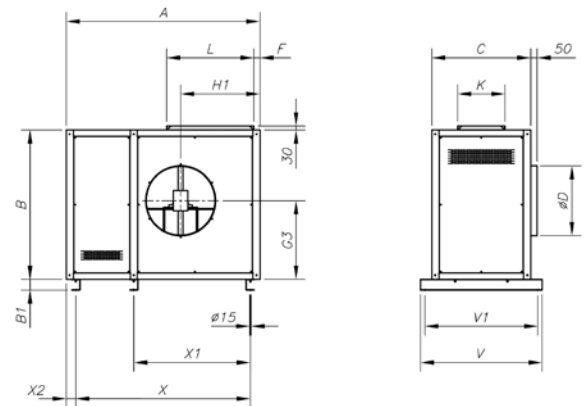
Horizontal impulsion on request (H) LG 90



Vertical impulsion on request (V) RD 0



Vertical impulsion on request (V) LG 0



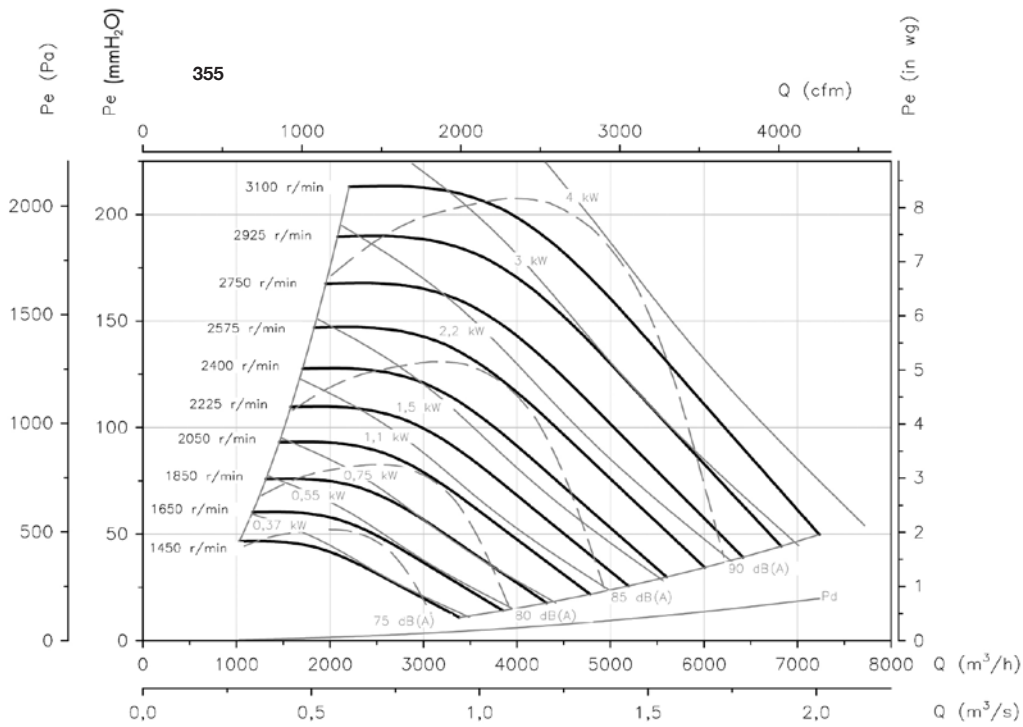
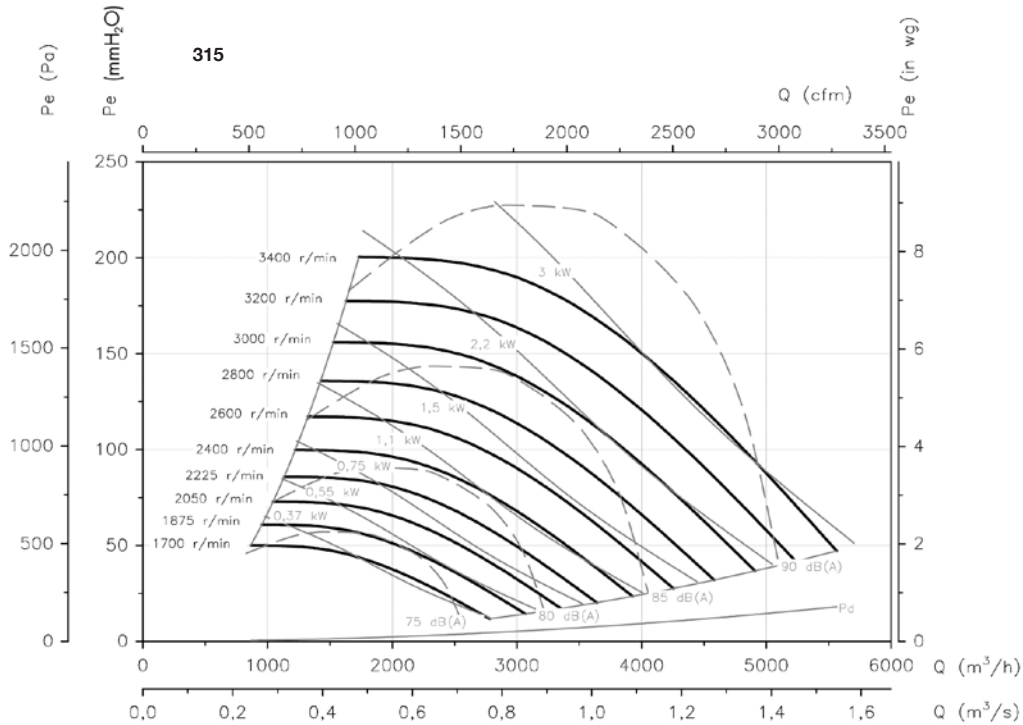
	A	B	B1	C	ØD	E	E1	F	F1	G1	G2	G3	H	H1
CJSRX-315	1170	740	60	600	315	82	84.2	113	281	317.5	423.2	366.2	305	451.5
CJSRX-355	1265	815	60	650	365	85	86.5	112.5	302.5	347.2	470.2	398	338	496
CJSRX-400	1370	900	60	680	400	82	90.2	111	331	386.2	522.2	447.2	359	543
CJSRX-450	1480	990	60	716	448	82	91.2	112.8	360	422.2	577.2	491	383	598
CJSRX-500	1625	1080	60	760	510	80.5	91	111.7	381.3	461.2	629.2	534.2	409	650
CJSRX-560	1760	1195	60	810	580	86.8	94.2	128	426	506.2	696.2	590	462	731
CJSRX-630	1880	1322	60	850	635	85.2	89.6	113.4	455.6	557.7	768.7	648.2	488	792.5
CJSRX-710	2180	1500	80	910	710	103	108.2	100	491	632.2	873.2	737.2	562	865

	H2	L	K	V	V1	X	X1	X2
CJSRX-315	346.3	405	224	760	680	880	-	155
CJSRX-355	373	454	248	810	730	1020	-	152
CJSRX-400	407	508	275	840	760	1120	-	152
CJSRX-450	443	570	309	876	796	1240	-	152
CJSRX-500	482	639	345	920	840	1340	670	152
CJSRX-560	540	716	384	970	890	1490	745	152
CJSRX-630	578.5	802	433	1010	930	820	1610	158
CJSRX-710	624	899	479	1070	990	955	1910	168

Characteristic curves

Q= Flow rate in m³/h, m³/s and cfm

Pe= Static pressure in mm H₂O, Pa and inwg

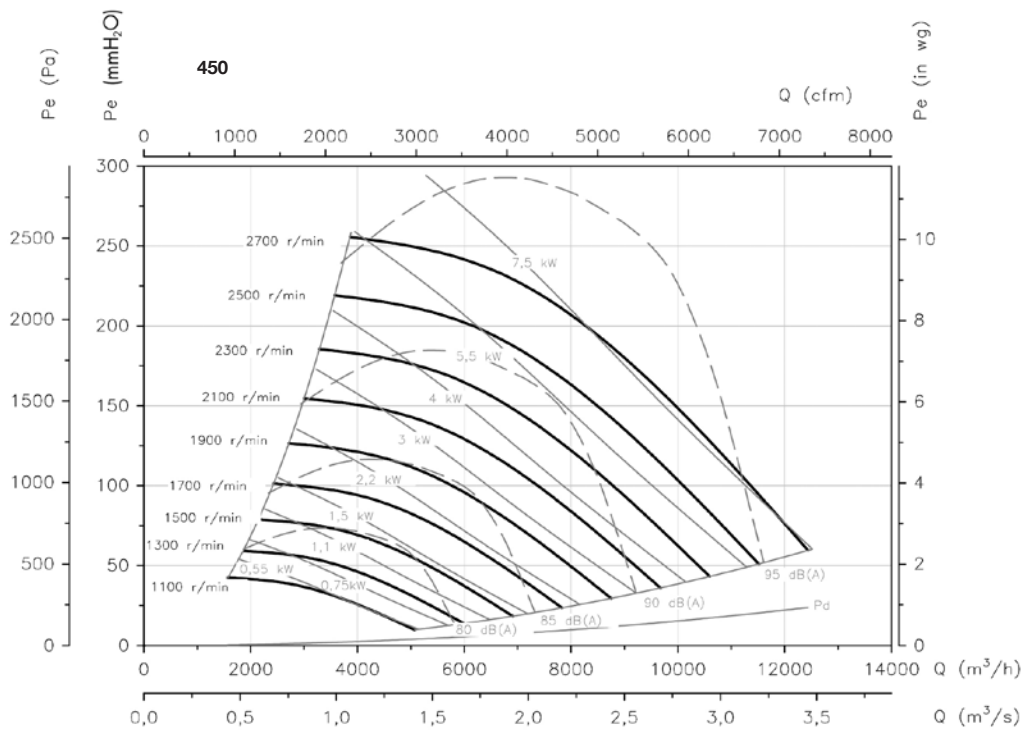
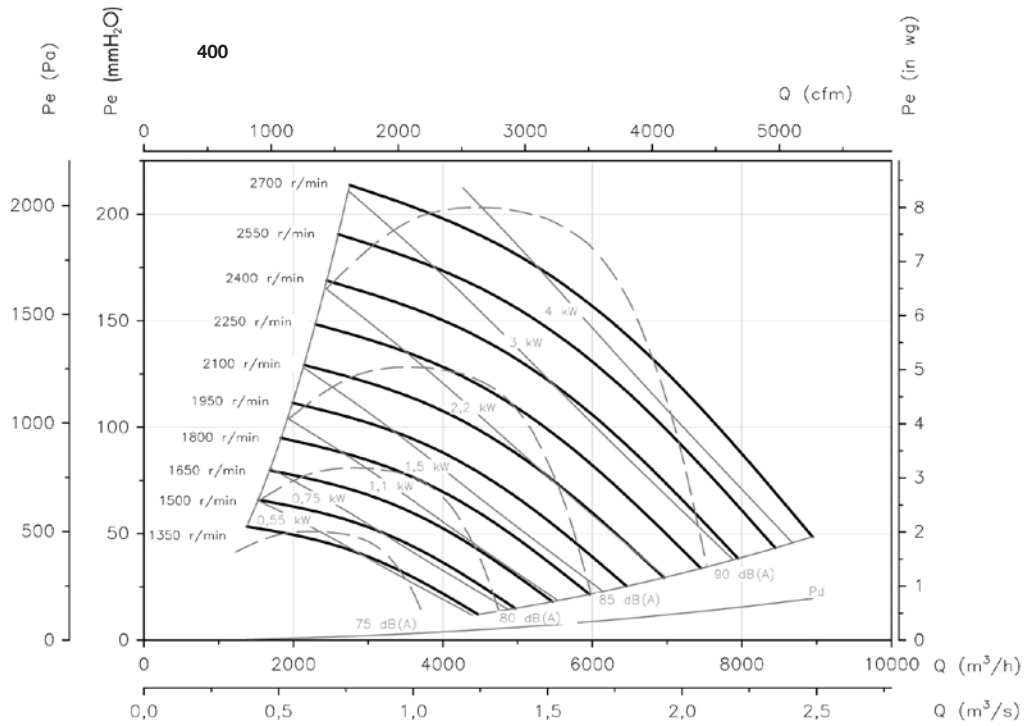


CENTRIFUGAL FANS AND IN-LINE DUCT EXTRACTOR FANS

Characteristic curves

Q= Flow rate in m³/h, m³/s and cfm

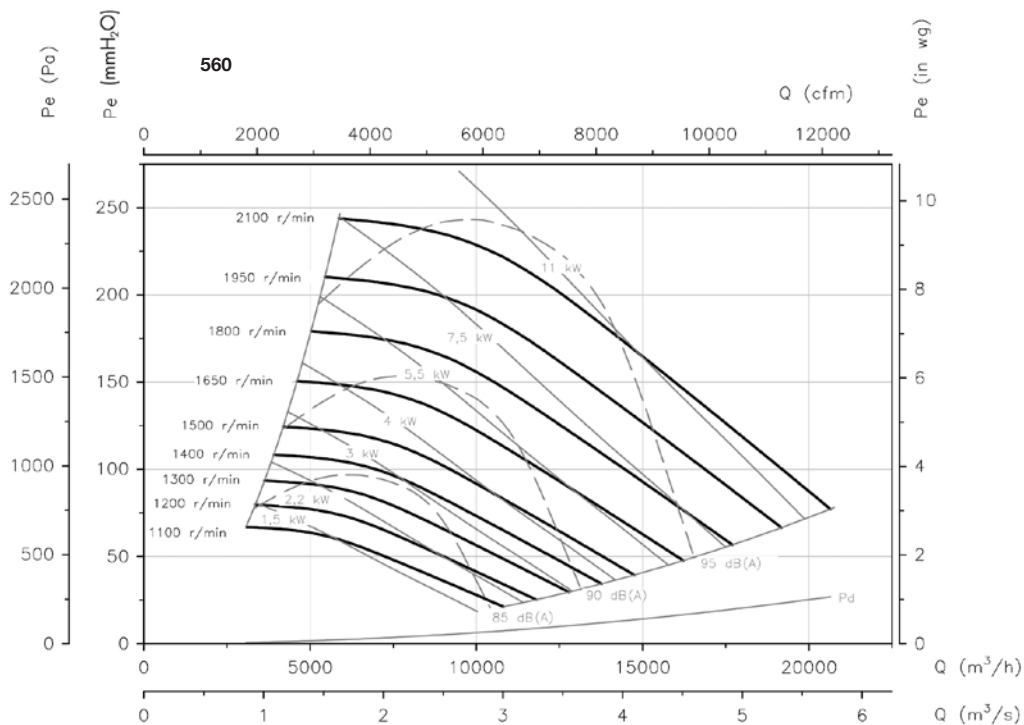
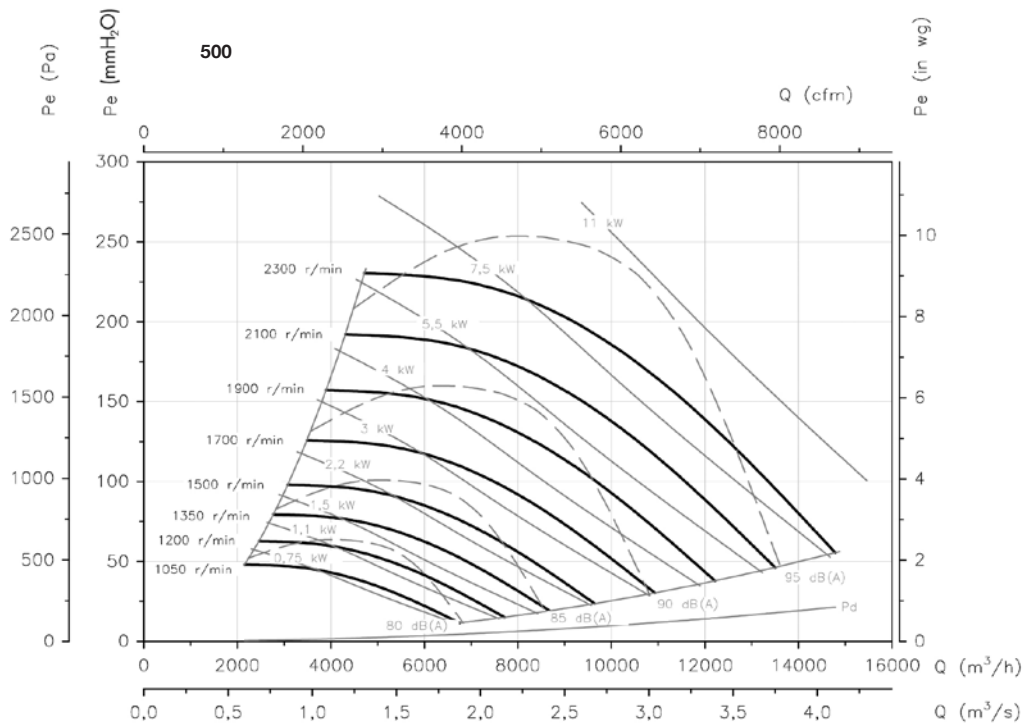
Pe= Static pressure in mm H₂O, Pa and inwg



Characteristic curves

Q= Flow rate in m³/h, m³/s and cfm

Pe= Static pressure in mm H₂O, Pa and inwg

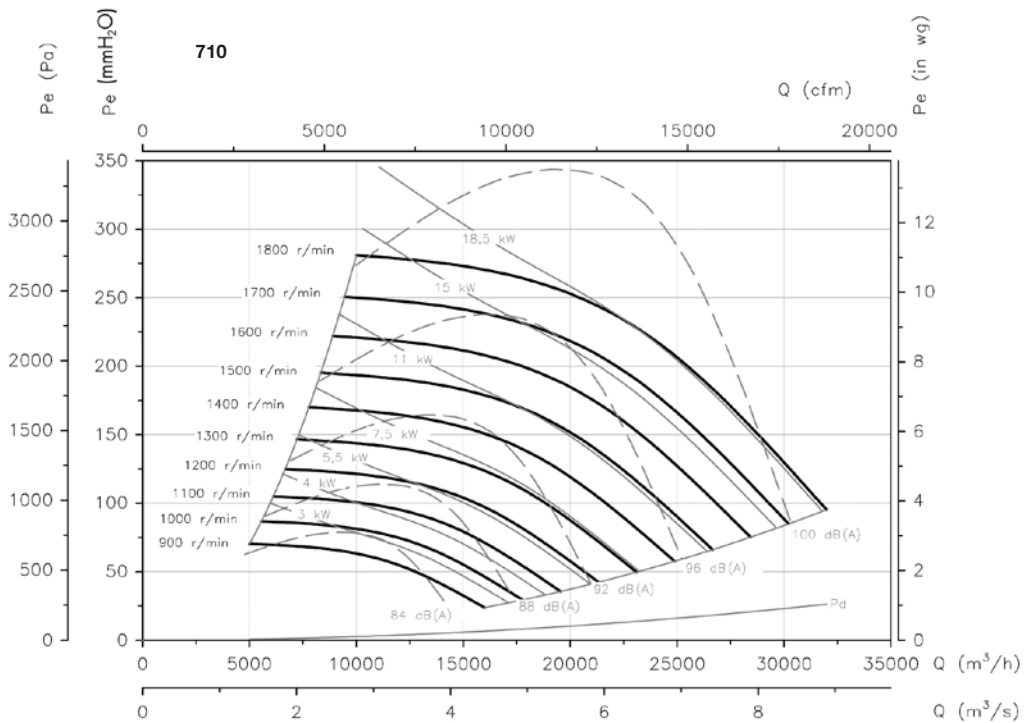
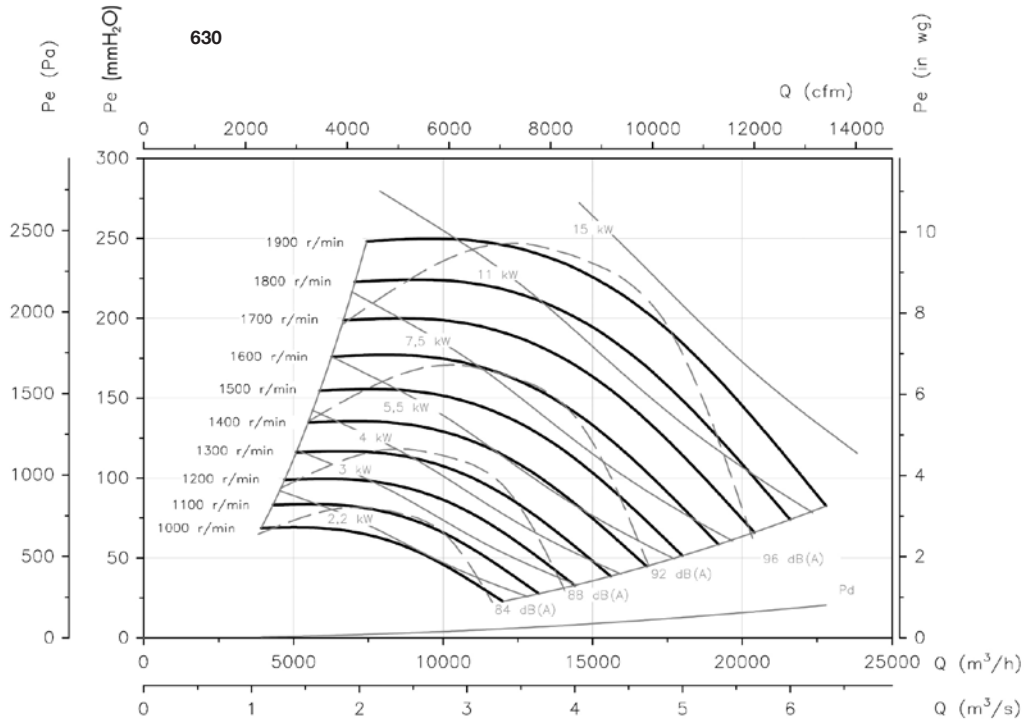


CENTRIFUGAL FANS AND IN-LINE DUCT EXTRACTOR FANS

Characteristic curves

Q= Flow rate in m³/h, m³/s and cfm

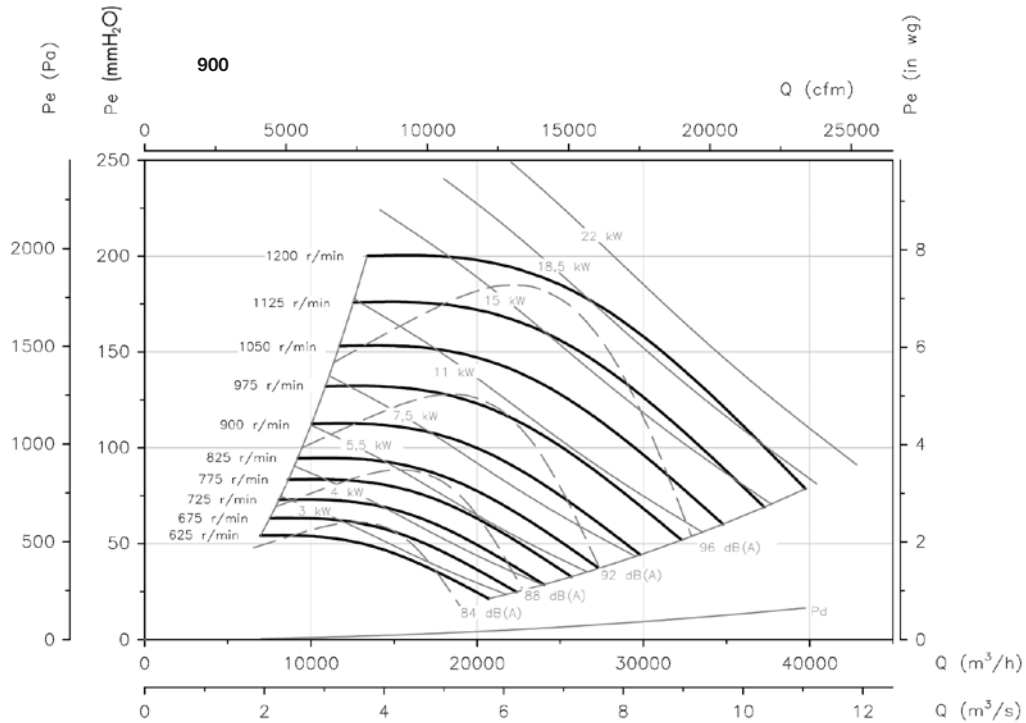
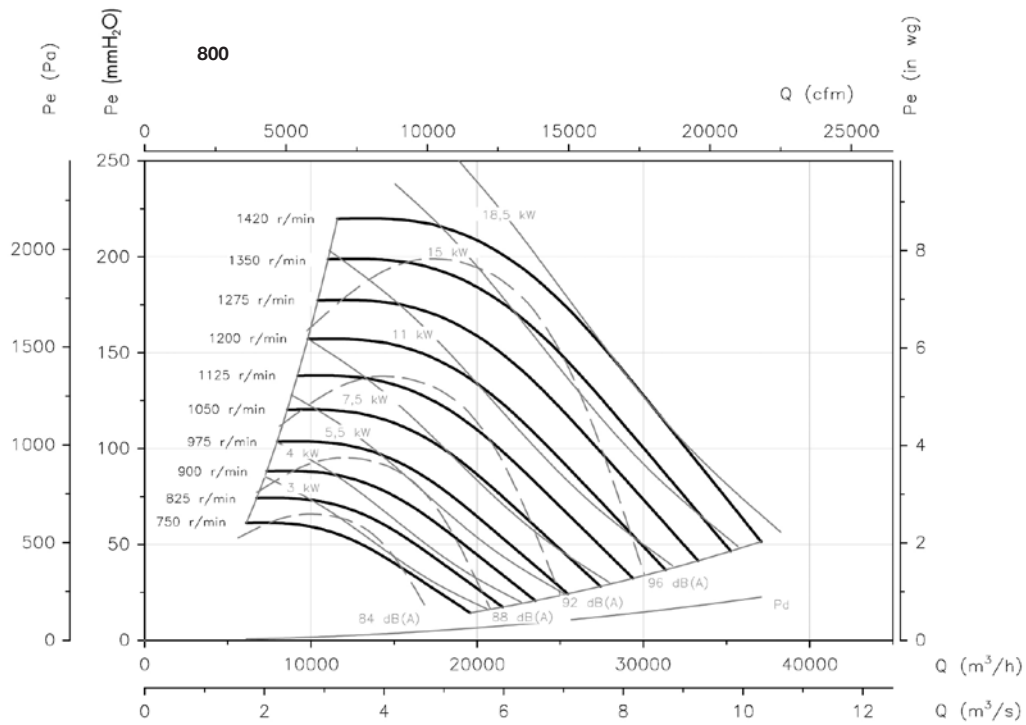
Pe= Static pressure in mm H₂O, Pa and inwg



Characteristic curves

Q= Flow rate in m³/h, m³/s and cfm

Pe= Static pressure in mm H₂O, Pa and inwg

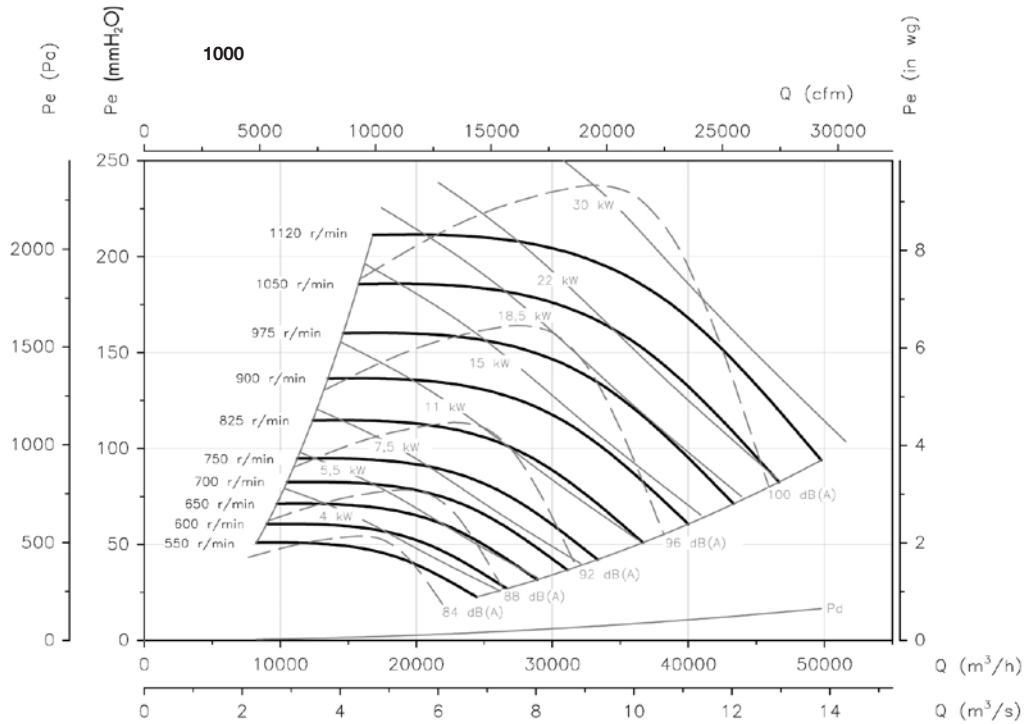


CENTRIFUGAL FANS AND IN-LINE DUCT EXTRACTOR FANS

Characteristic curves

Q= Flow rate in m³/h, m³/s and cfm

Pe= Static pressure in mm H₂O, Pa and inwg



Accessories

See accessories section



CJBR

Ventilation units with sandwich panel acoustic insulation and linear air flow direction between inlet and impulsion.



Fan:

- Galvanised sheet steel structure with thermal and acoustic insulation.
- Impeller with reaction blades made of galvanised sheet steel.
- Option of mounting the outlet nozzle on any side of the box during its installation.

Motor:

- IE3 efficiency motors for powers equal to or greater than 0.75 kW except single-phase, 2-speed and 8-pole.
- Class F motors with ball bearings and IP55 protection.
- Three-phase 230/400 V - 50 Hz (up to 4 kW) and 400/690 V - 50 Hz (powers higher than 4 kW).

- Maximum temperature of air to be carried: -20 °C +60 °C.

Finish:

- Anti-corrosive galvanised sheet steel.

On request:

With circular impulsion through TAC accessory.

- With 2-speed motors.



High efficiency acoustic insulation

Order code

CJBR — 2063 — 4T

CJBR: Ventilation units with sandwich panel acoustic insulation

Impeller size

Number of motor poles

4=1400 r/min 50 Hz
6=900 r/min 50 Hz

T=Three-phase

Technical characteristics

Model	Speed (r/min)	Maximum admissible current (A)			Installed power (kW)	Maximum flow rate m ³ /h	Sound pressure level dB(A)	Approx. weight (kg)	According to ErP
		230 V	400 V	690 V					
CJBR-1240-4T IE3	1420	2.82	1.62		0.75	4250	62	80	2015
CJBR-1850-4T IE3	1440	5.41	3.11		1.50	6700	70	90	2015
CJBR-2056-4T IE3	1435	7.93	4.56		2.20	9500	72	130	2015
CJBR-2056-6T IE3	940	3.36	1.93		0.75	6500	62	126	2015
CJBR-2263-4T IE3	1465		10.30	5.97	5.50	17400	74	202	2015
CJBR-2263-6T IE3	945	4.68	2.69		1.10	9000	64	141	2015
CJBR-2071-4T IE3	1470		20.90	12.10	11.00	25000	83	245	2015
CJBR-2071-6T-3 IE3	950	9.08	5.22		2.20	12500	68	153	2015
CJBR-2071-6T-5.5 IE3	960	15.60	8.99		4.00	16000	70	194	2015
CJBR-2880-6T IE3	960	15.60	8.99		4.00	17100	71	192	2015



Erp. (Energy Related Products)

Information on Directive 2009/125/EC can be downloaded from the SODECA website or the QuickFan selector programme.

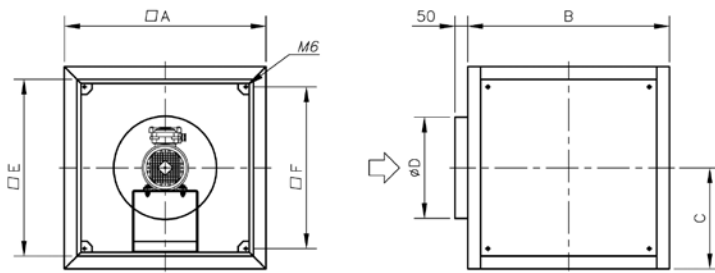
Acoustic characteristics

The values given are determined by measuring the sound power in dB(A) obtained in a free field at a distance equivalent to twice the size of the fan plus the impeller diameter, with a minimum of 1.5 m.

	Sound power spectrum Lw(A) in dB(A) per Hz frequency band							
	63	125	250	500	1000	2000	4000	8000
CJBR-1240-4	47	61	67	70	70	71	61	50
CJBR-1850-4	66	72	77	78	81	80	73	68
CJBR-2056-4	67	73	79	79	83	83	75	68
CJBR-2056-6	57	63	69	69	73	73	65	58
CJBR-2263-4	74	79	85	87	85	82	75	67
CJBR-2263-6	61	67	72	73	77	76	69	62
CJBR-2071-4	80	81	89	92	95	96	92	78
CJBR-2071-6-3	65	71	76	77	81	80	73	66
CJBR-2071-6-5.5	66	65	80	79	83	83	72	61
CJBR-2880-6	68	74	79	80	84	83	76	69

CENTRIFUGAL FANS AND IN-LINE DUCT EXTRACTOR FANS

Dimensions mm

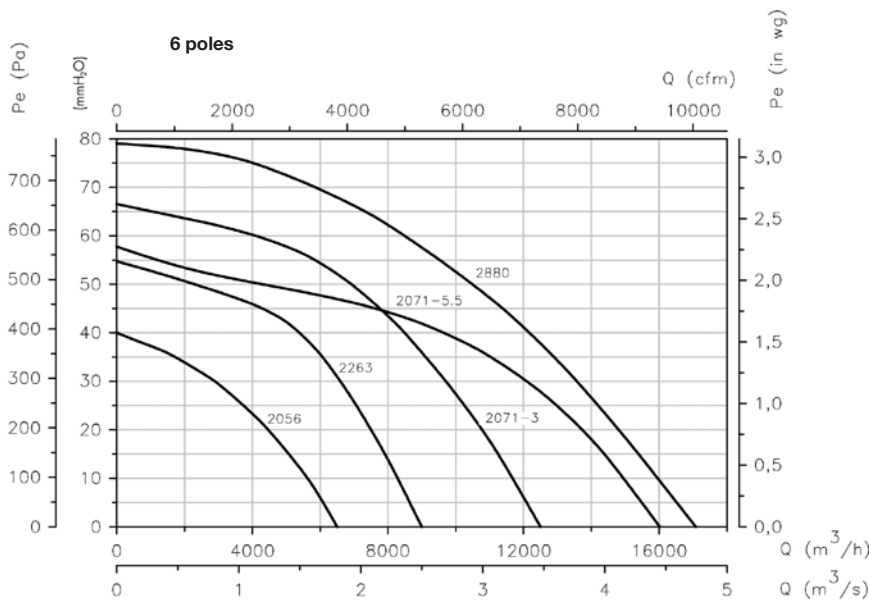
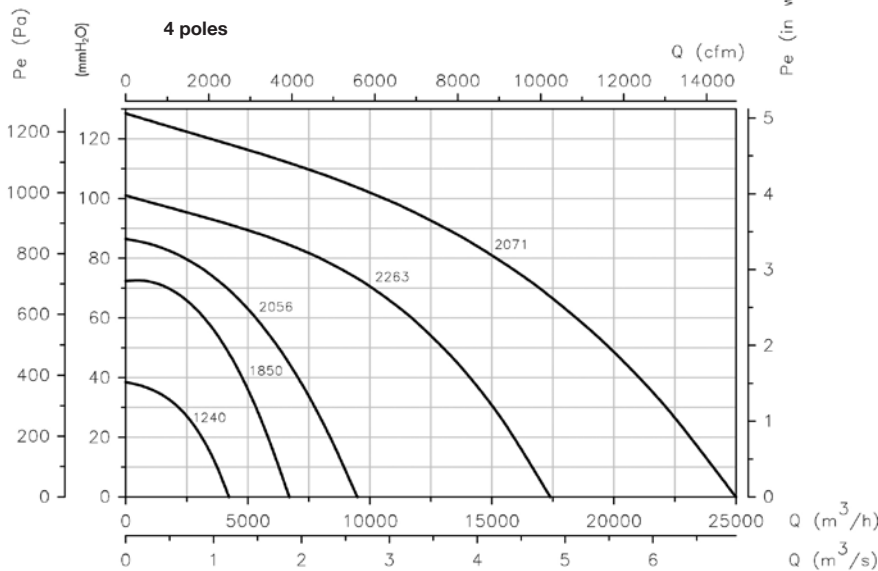


	A	B	C	D	E	F
CJBR-1240	800	800	400	400	700	640
CJBR-1850	800	800	400	400	700	640
CJBR-2056	925	925	462.5	450	825	765
CJBR-2263-4T	1000	1000	500	630	900	840
CJBR-2263-6T	925	925	462.5	560	825	765
CJBR-2071-4T	1060	1060	530	710	960	900
CJBR-2071-6T-3	1000	1000	500	630	900	840
CJBR-2071-6T-5'5	1060	1060	530	710	960	900
CJBR-2880-6T	1060	1060	530	710	960	900

Characteristic curves

Q= Flow rate in m³/h, m³/s and cfm

Pe= Static pressure in mm H₂O, Pa and inwg



Accessories

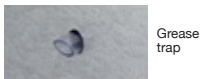
See accessories section.



CKD CKDR



F-400 extractor fan units with a large door for ease of maintenance and 40 mm acoustic insulation slab.



Grease trap

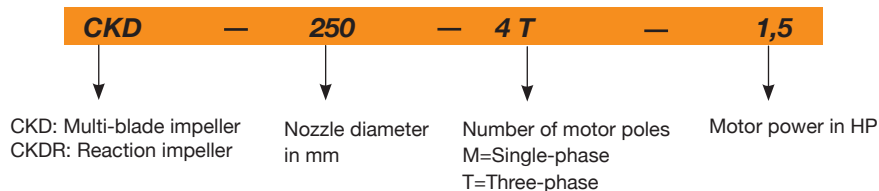
Fan:

- Galvanised sheet steel structure.
- 40 mm acoustic insulation slab.
- CKD: Galvanised sheet steel multiblade impeller.
- CKDR: Reaction impeller made of galvanised sheet steel.
- Approved in accordance with standard EN 12101-3, with certificate number: 0370-CPR-2358.
- Modifiable door opening direction thanks to its exchangeable hinges.
- Can be adjusted to different positions.
- Able to operate continuously at 120 °C.
- Motor cover accessory (CM) supplied with fan.

Motor:

- IE3 efficiency motors for powers equal to or greater than 0.75 kW except single-phase, 2-speed and 8-pole.
 - Class F motors with ball bearings and IP55 protection.
 - Single-phase 230 V- 50 Hz and three-phase 230/400 V - 50 Hz.
 - Operating temperature: -25 °C +120 °C.
- Finish:
- Anti-corrosive finish on galvanised sheet steel.
- On request:
- Special windings for different voltages.

Order code



Technical characteristics

Model	Speed (r/min)	Maximum admissible current (A)		Installed power (kW)	Maximum flow rate (m³/h)	Sound pressure level dB(A)	Approx. weight (kg)	According to ErP
		230 V	400 V					
CKD-250-4T-1.5 IE3	1455	4.07	2.34	1.1	3160	69	48	2015
CKD-280-4T-3 IE3	1435	7.93	4.56	2.2	4880	73	60	2015
CKDR-280-2T-1 IE3	2825	2.8	1.62	0.75	2090	71	38	2015
CKDR-280-2M-1	2810	4.62		0.75	2090	71	43	2015
CKDR-315-2T-1.5 IE3	2830	4.03	2.34	1.1	3900	72	55	2015
CKDR-355-4T-0.5	1370	2.02	1.17	0.37	2660	60	51	2015
CKDR-355-4M-0.5	1400	2.76		0.37	2660	60	53	2015
CKDR-400-4T-0.75	1370	2.87	1.66	0.55	3770	56	66	2015
CKDR-400-4M-0.75	1400	3.93		0.55	3770	56	71	2015
CKDR-450-4T-1 IE3	1420	2.82	1.62	0.75	5020	60	77	2015
CKDR-450-4M-1	1410	5.05		0.75	5020	60	77	2015
CKDR-500-4T-1.5 IE3	1455	4.07	2.34	1.1	7440	62	106	2015
CKDR-560-4T-3 IE3	1435	7.93	4.56	2.2	11030	65	123	2015



Erp. (Energy Related Products)

Information on Directive 2009/125/EC can be downloaded from the SODECA website or the QuickFan selector programme.

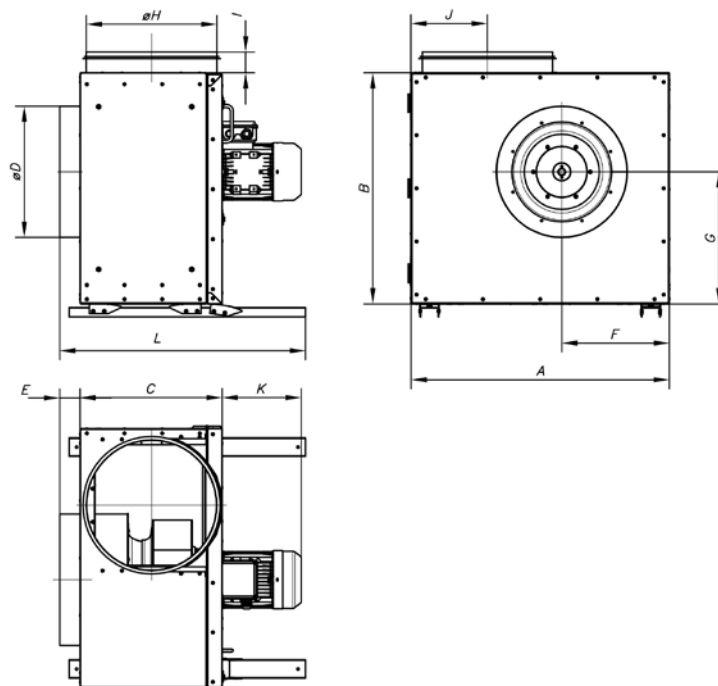
Acoustic characteristics

The indicated values are determined by measuring the sound pressure level and sound power in dB(A) obtained in a free field at a distance equivalent to twice the size of the fan plus the impeller diameter, with a minimum of 1.5 m.

Sound power spectrum Lw(A) in dB(A) per Hz frequency band. Values taken during exhaust with average flow rate

Model	63	125	250	500	1000	2000	4000	8000	Model	63	125	250	500	1000	2000	4000	8000
CKD-250-4	53	79	74	73	66	67	60	60	CKDR-400-4	41	60	62	63	65	64	58	53
CKD-280-4	53	82	78	76	70	71	63	63	CKDR-450-4	45	66	67	67	68	69	64	58
CKDR-280-2	53	67	73	74	76	77	73	71	CKDR-500-4	49	68	64	69	74	68	63	60
CKDR-315-2	50	67	77	77	79	79	74	71	CKDR-560-4	44	75	71	74	74	74	66	62
CKDR-355-4	43	62	64	65	68	67	61	55									

Dimensions mm

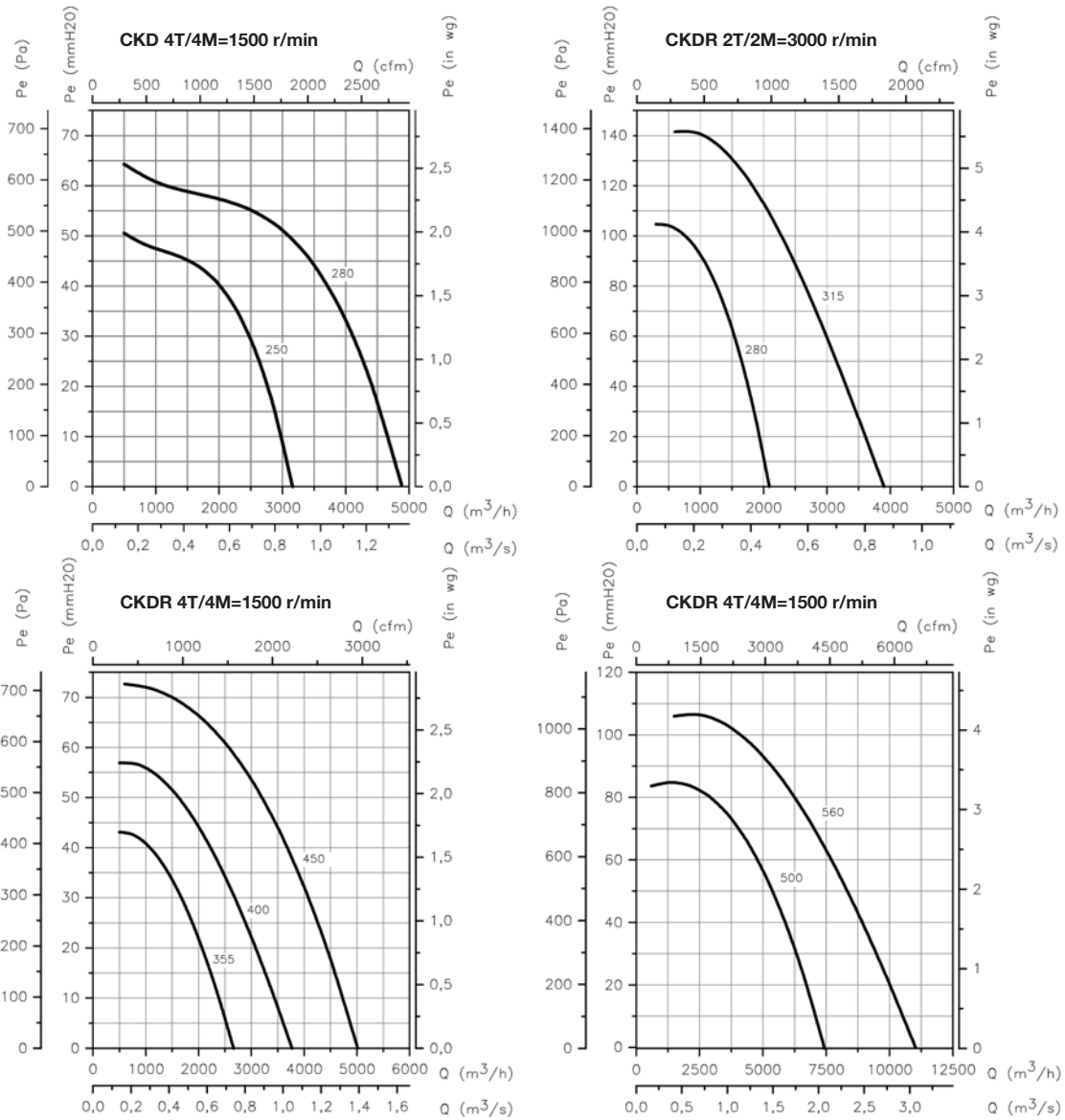


	A	B	C	ØD	E	F	G	ØH	I	J	K	L
CKD-250	590	520	260	250	50	245	290	250	48	160	223	560
CKD-280	590	520	275	315	50	245	290	250	48	160	283.5	600
CKDR-280	590	520	345	315	52	245	290	315	48	192.5	213	612
CKDR-315	700	625	385	355	55	290	356	355	56	207	213	665
CKDR-355	700	625	385	355	55	290	356	355	56	207	180	665
CKDR-400	830	775	385	355	55	354	418	355	56	212	212	660
CKDR-450	830	775	385	355	55	354	418	355	56	212	212	660
CKDR-500	1000	900	470	400	75	420	505	400	75	244	222	865
CKDR-560	1000	900	470	400	75	420	505	400	75	244	282.5	865

Characteristic curves

Q= Flow rate in m³/h, m³/s and cfm

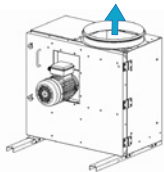
Pe= Static pressure in mm H₂O, Pa and inwg



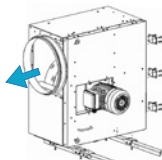
Orientation

Standard supply LG 0

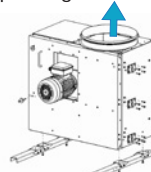
On request orientations LG 90 and LG 270. Different mounting positions are possible by modifying the feet and interchangeable hinges, depending on each need.



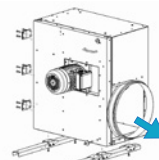
LG 0



LG 90



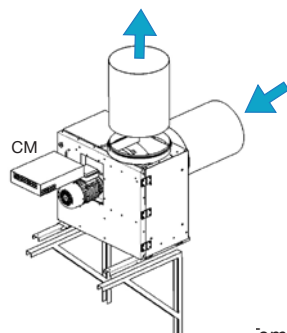
LG 0



LG 270

Installation

The CKD/CKDR fans can be wall-mounted using angle brackets.



Accessories



CI-CO

Long-range, low profile, induction centrifugal jet fans.



Support feet

Long range, inductive, low profile, one-way or reversible jet fans, for air movement and CO extraction in car parks.

Fan:

- Sheet steel casing.
- Impeller with reaction blades in extremely robust sheet steel.
- INT series safety switch built into the fan.
- Support feet included.

Motor:

- Class F motors with ball bearings, IP55 protection and with 1 or 2 speeds, depending on model.

- Three-phase 230/400 V - 50 Hz.
- Maximum temperature of air to be carried: -20 °C +40 °C.

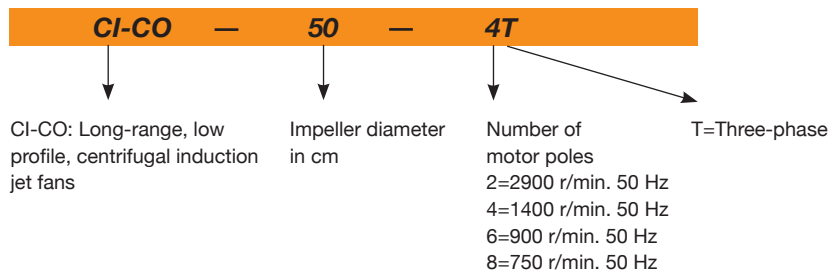
Finish:

- Anti-corrosive finish of polyester resin polymerised at 190 °C, previously degreased with phosphate-free nanotechnological treatment.

On request:

- Version approved for smoke exhaust in accordance with standard EN 12101-3 (see CI series).

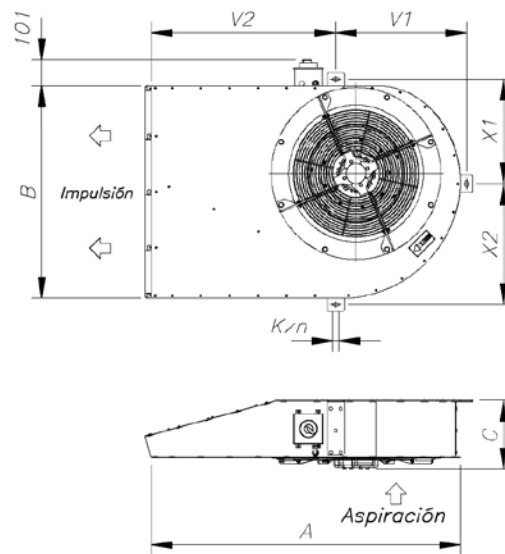
Order code



Technical characteristics

Model	Speed (r/min)	Maximum admissible current (A)		Flow rate (m ³ /h)	Thrust (N)	Installed power (kW)	Sound pressure LpA at 1m dB(A)	Approx. weight (kg)
		230 V	400 V					
CI-CO-50-4T	1395	5.00	2.90	6050	50	1.20	78	83
CI-CO-50-4/8T	1395/650		2.90 / 1.20	6050 / 3020	50 / 13	1.20 / 0.30	78/63	83
CI-CO-75-4T	1450	9.00	5.20	8080	75	2.20	85	139
CI-CO-75-4/8T	1450/730		5.20 / 2.05	8080 / 4040	75 / 19	2.20 / 0.37	85/70	139
CI-CO-100-4T	1445	9.90	5.70	9340	100	2.40	89	141
CI-CO-100-4/8T	1445/715		5.70 / 2.20	9340 / 4670	100 / 25	2.40 / 0.55	89/14	141

Dimensions mm



	A	B	C	V2	V1	X1	X2	Kxn
CI-CO-50	1240	840	272.5	741.5	524.5	413	477	12x26
CI-CO-75	1778	1040	311	1143	662	494	596	12x26
CI-CO-100	1778	1040	323	1143	662	494	596	12x26

Accessories

See accessories section



CB



Single inlet centrifugal fans with multiblade impeller.



- Fan:**
- Sheet steel casing.
 - Forward-curved impeller made of galvanised sheet steel.
- Motor:**
- IE3 efficiency motors for powers equal to or greater than 0.75 kW except single-phase, 2-speed and 8-pole.
 - Class F motors with ball bearings and IP55 protection except single-phase models, with IP54 protection.
 - Single-phase 230 V - 50 Hz and three-phase 230/400 V - 50 Hz.
 - Maximum temperature of air to be carried: -20 °C +120 °C.

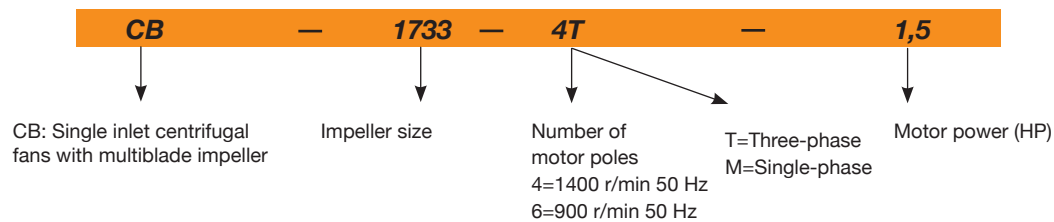
- Finish:**
- Anti-corrosive finish of polyester resin polymerised at 190 °C, previously degreased with phosphate-free nanotechnological treatment.

- On request:**
- Special windings for different voltages.



CB-2240 model version

Order code



Technical characteristics

Model	Speed (r/min)	Maximum admissible current (A)		Installed power (kW)	Maximum flow rate m ³ /h	Sound pressure level dB(A)	Approx. weight (kg)	According to ErP
		230 V	400 V					
CB-820-4T	1350	1.66	0.96	0.25	1875	64	12	2015
CB-820-4M	1370	2.00		0.25	1875	64	12	2015
CB-1428-4T IE3	1420	2.82	1.62	0.75	2800	69	19	2015
CB-1428-4M	1410	5.05		0.75	2800	69	18	*
CB-1428-6T	900	1.51	0.87	0.25	2000	65	16	2015
CB-1428-6M	900	2.07		0.25	2000	65	16	*
CB-1733-4T-1.5 IE3	1455	4.07	2.34	1.10	3200	74	29	2015
CB-1733-4T-2 IE3	1440	5.41	3.11	1.50	4000	75	33	2015
CB-1733-6T IE3	940	3.36	1.93	0.75	3400	68	26	2015
CB-1733-6M	900	4.97		0.75	3400	68	23	*
CB-2240-6T IE3	950	9.08	5.22	2.20	7000	74	72	2015

* Equipment not covered by Directive 2009/125/EC



Erp. (Energy Related Products)

Information on Directive 2009/125/EC can be downloaded from the SODECA website or the QuickFan selector programme.

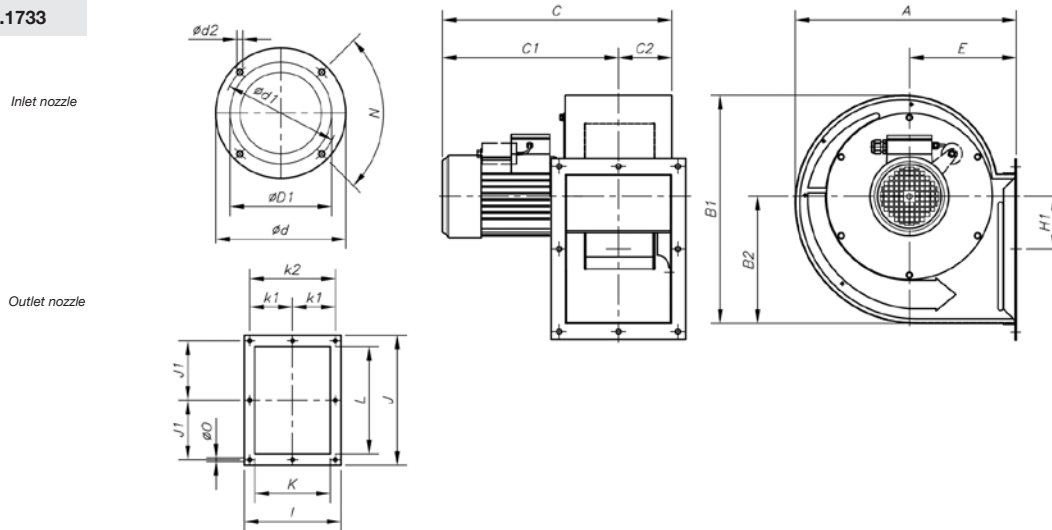
Acoustic characteristics

Sound power spectrum L_w(A) in dB(A) per Hz frequency band

Model	63	125	250	500	1000	2000	4000	8000	Model	63	125	250	500	1000	2000	4000	8000
820-4T	39	49	60	67	71	68	66	59	1733-4-2	50	60	71	78	82	79	77	70
1428-4	44	54	65	72	76	73	71	64	1733-6	43	53	64	71	75	72	70	63
1428-6	40	50	61	68	72	69	67	60	2240-6	52	61	72	79	83	81	79	72
1733-4-1,5	49	59	70	77	81	78	76	69									

Dimensions mm

CB-820...1733

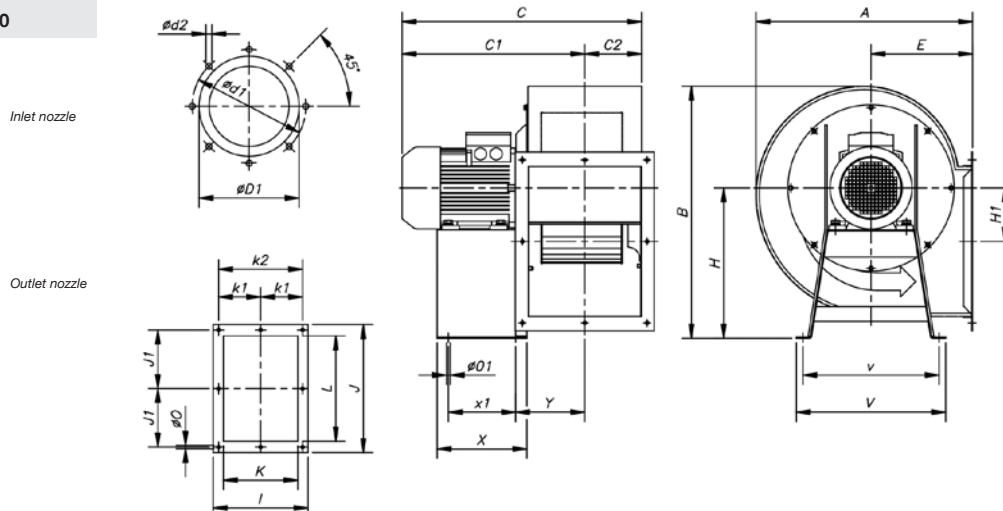


	A	B1	B2	C	C1	C2	$\phi D1^*$	ϕd	$\phi d1$	$\phi d2$	E	H1	I	J	J1	K
CB-820	321	377	222	369.5	301	68.5	200	247	230	M6	138	137	184	213	94.5	130
CB-1428	422	440	250	438	338	100	250	-	294	M6	200	104	260	350	160	198
CB-1733	492.5	523.5	291.5	522.5	398	124.5	315	-	355	M6	230	120.5	316	415	186	245

	k1	k2	L	N	ϕO
CB-820	-	160	156	4x90°	9
CB-1428	115	230	290	6x60°	9
CB-1733	140	280	340	6x60°	9

* Recommended nominal tube diameter

CB-2240



	A	B	C	C1	C2	$\phi D1^*$	ϕd	$\phi d1$	$\phi d2$	E	H	H1	I	J	J1	K
CB-2240	578	673	609.5	473	136.5	355	-	410	M6	265	402	147.5	340	478	218	270

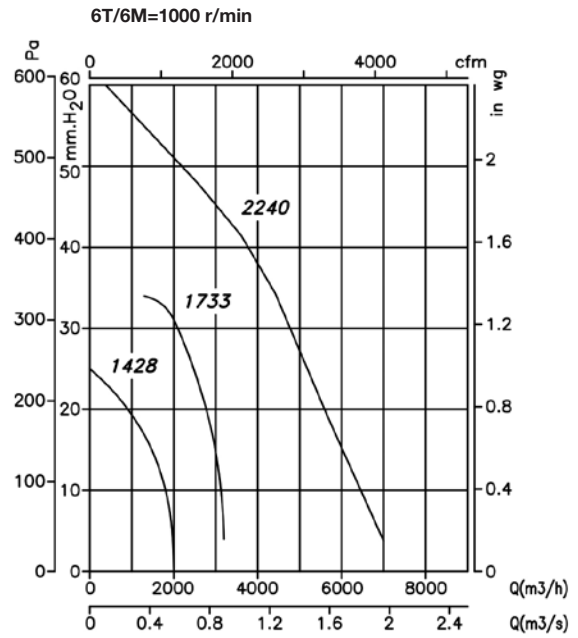
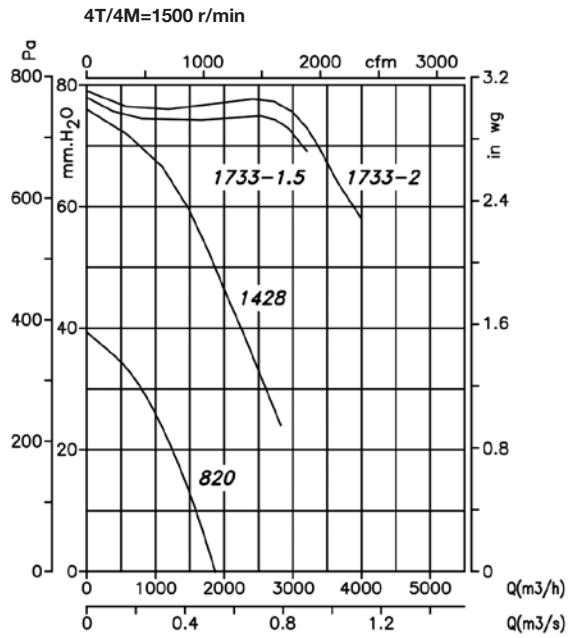
	k1	k2	L	ϕO	$\phi O1$	V	v	X	x1	Y
CB-2240	151	302	404	9	13	400	365	240	180	168.5

* Recommended nominal tube diameter

Characteristic curves

Q= Flow rate in m³/h, m³/s and cfm

Pe= Static pressure in mm H₂O, Pa and inwg



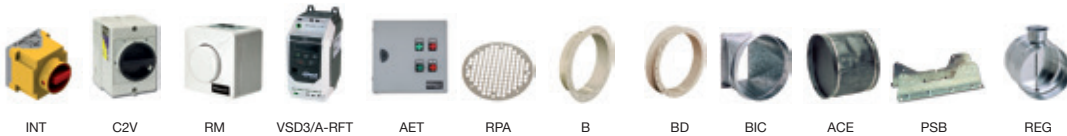
Orientation

Standard supply LG 270



Accessories

See accessories section.



CPV

Anti-corrosive finished, single inlet centrifugal fans made of polypropylene.



- Fan:**
- Polypropylene casing.
 - Forward-curved impeller made of polypropylene.

- Motor:**
- IE3 efficiency motors for powers equal to or greater than 0.75 kW except single-phase, 2-speed and 8-pole.
 - Class F motors with ball bearings and IP55 protection.
 - Three-phase 230/400 V - 50 Hz (up to 4 kW) and 400/690 V - 50 Hz (powers higher than 4 kW).
 - Maximum temperature of air to be carried: -20 °C +70 °C.

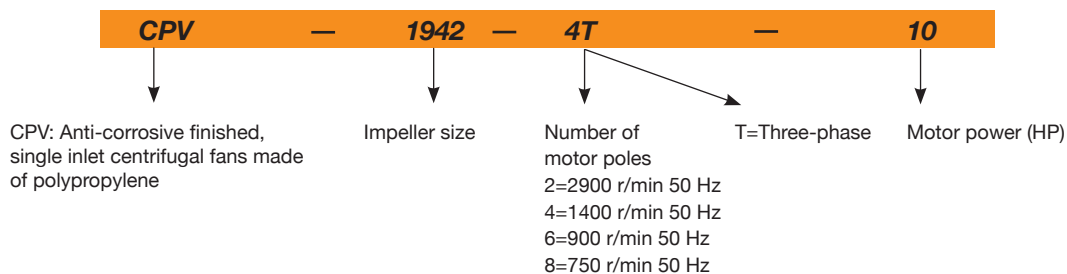
- Finish:**
- Corrosive-proof in plastic material.

- On request:**
- Special windings for different voltages.
 - ATEX-certified Category 2.



Modern appearance and design

Order code



Technical characteristics

Model	Speed (r/min)	Maximum admissible current (A)			Installed power (kW)	Maximum flow rate (m ³ /h)	Sound pressure level (dB(A))	Approx. weight (kg)
		230 V	400 V	690 V				
*CPV-720-2T	2710	1.92	1.11		0.37	525	75	10
CPV-815-2T	2710	1.92	1.11		0.37	950	75	14
CPV-815-4T	1350	1.52	0.88		0.25	450	58	14
*CPV-825-2T IE3	2830	4.03	2.34		1.10	1140	79	18
*CPV-930-2T IE3	2910	7.32	4.21		2.20	1750	84	29
CPV-1020-2T IE3	2825	2.80	1.62		0.75	2000	81	25
CPV-1020-4T	1350	1.52	0.88		0.25	1250	65	20
CPV-1020-6T	900	1.51	0.87		0.25	750	53	20
CPV-1160-4T IE3	1470		20.90	12.10	11.00	8000	83	268
CPV-1325-2T IE3	2910	7.32	4.21		2.20	3250	87	32
CPV-1325-4T	1370	2.02	1.17		0.37	2300	69	27
CPV-1325-6T	900	1.51	0.87		0.25	1400	59	27
CPV-1335-2T IE3	2930		10.10	5.86	5.50	4700	84	114
CPV-1630-4T IE3	1440	5.41	3.11		1.50	4500	75	43
CPV-1630-6T	900	2.99	1.73		0.55	2700	63	35
CPV-1840-4T IE3	1440	10.70	6.15		3.00	6000	70	53
CPV-1840-6T IE3	945	4.68	2.69		1.10	4200	65	48
*CPV-1942-4T-7.5 IE3	1465		10.30	5.97	5.50	8500	79	89
*CPV-1942-4T-10 IE3	1465		13.90	8.06	7.50	10500	84	93
*CPV-1942-6T IE3	950	9.08	5.22		2.20	7000	75	53
*CPV-1942-8T	705	7.10	4.10		1.50	5500	70	56
CPV-2045-4T IE3	1465		13.90	8.06	7.50	10400	78	118
CPV-2045-6T IE3	970	12.00	6.91		3.00	7000	72	88
CPV-2060-4T IE3	1470		20.90	12.10	11.00	12000	81	270
CPV-2160-4T IE3	1465		27.90	16.20	15.00	15500	77	299

*Only LG admit position

CENTRIFUGAL FANS AND IN-LINE DUCT EXTRACTOR FANS

Acoustic characteristics

The indicated values are determined by measuring the sound pressure level and sound power in dB(A) obtained in a free field at a distance equivalent to twice the size of the fan plus the impeller diameter, with a minimum of 1.5 m.

Sound power spectrum Lw(A) in dB(A) per Hz frequency band

Model	63	125	250	500	1000	2000	4000	8000	Model	63	125	250	500	1000	2000	4000	8000
720-2T	56	69	77	81	81	77	73	65	1630-4T	60	73	81	85	86	82	78	69
815-2T	56	69	77	81	81	77	73	65	1630-6T	48	61	69	73	74	70	66	57
815-4T	39	52	60	64	64	60	56	48	1840-4T	55	68	76	80	81	77	73	64
825-2T	60	73	81	85	85	81	77	69	1840-6T	50	63	71	75	76	72	68	59
930-2T	65	78	86	90	90	86	82	74	1942-4T-7,5	75	85	87	90	89	89	87	78
1020-2T	62	75	83	87	87	83	79	71	1942-4T-10	80	90	92	95	94	94	92	83
1020-4T	46	59	67	71	71	67	63	55	1942-6T	71	81	83	86	85	85	83	74
1020-6T	34	47	55	59	59	55	51	43	1942-8T	66	76	78	81	80	80	78	69
1160-4T	68	81	89	93	94	90	86	77	2045-4T	63	76	84	88	89	85	81	72
1325-2T	70	83	91	95	96	92	88	79	2045-6T	57	70	78	82	83	79	75	66
1325-4T	52	65	73	77	78	74	70	61	2060-4T	66	79	87	91	92	88	84	75
1325-6T	42	55	63	67	68	64	60	51	2160-4T	64	77	85	89	89	85	81	73
1335-2T	67	80	88	92	93	89	85	76									

Dimensions mm

CPV-720...1942

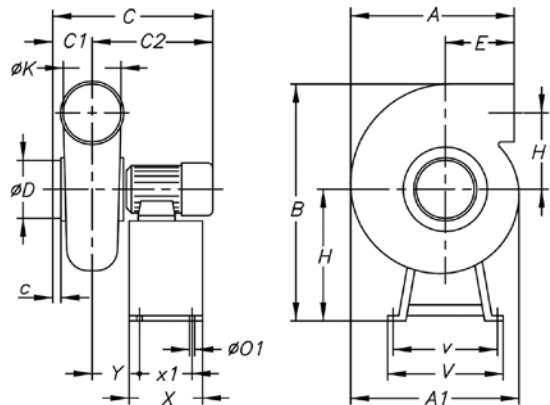


	Fig.	A	A1	B	C	C1	C2	c	øD	E	H	H1	øK	øO1	V	v	X	x1	Y
CPV-720	1	375	-	486	350	80	270	45	90	212	311	130	90	6	340	320	180	160	92
CPV-815	1	307	335	521	360	100	260	30	125	100	281	177.5	125	8	355	335	180	160	90
CPV-825	1	445	-	552	433	110	323	55	125	218	320	170	125	6	340	320	180	160	103
CPV-930	1	540	-	678	477	100	377	40	160	262	390	205	160	6	420	400	240	160	137
CPV-1020-2T	1	340	397	593	445.5	116	329.5	32	160	100	290	223	160	8	355	335	180	160	127.5
CPV-1020-4/6T	1	340	397	584	422.5	116	306.5	32	160	100	281	223	160	8	355	335	180	160	122.5
CPV-1325-2T	1	413	505	735	494	130	364	35	200	103	370	265	200	8	400	380	180	160	125
CPV-1325-4/6T	1	413	505	716	432.5	130	302.5	35	200	103	351	265	200	8	400	380	180	160	113.5
CPV-1630-4T	1	480	602	890	536.5	145	391.5	35	250	117	440	323	250	8	450	430	240	220	142.5
CPV-1630-6T	1	480	602	880	503	145	358	35	250	117	430	323	250	8	450	430	240	220	138
CPV-1942-4T	1	580	750	1170	730.5	210	520.5	60	315	130	600	412.5	315	8	600	564	350	314	181.5
CPV-1942-6/8T	1	580	750	1150	679.5	210	469.5	60	315	130	580	412.5	315	8	600	564	350	314	204

Dimensions mm

CPV-1335...2045

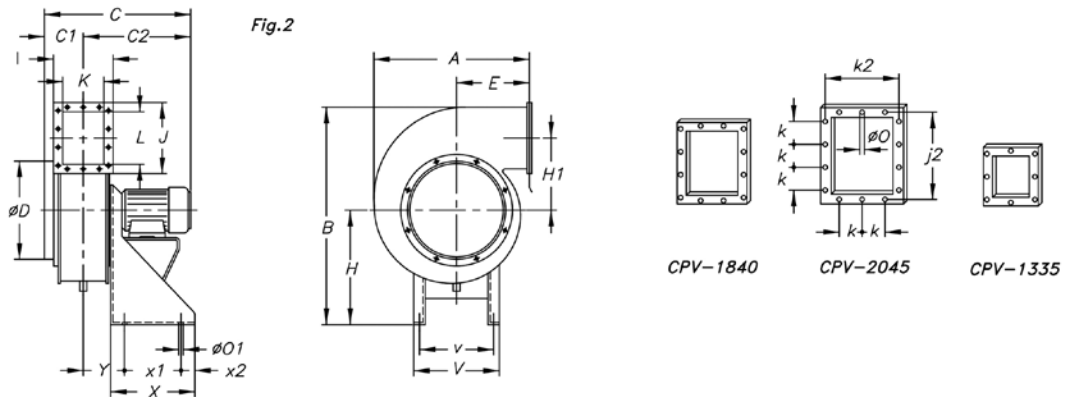


Fig.	A	B	C	C1	C2	øD	E	H	H1	I	J	j2	K	k	k2	L	
CPV-1335	2	566	788	675	175	500	225	255	452	246	240	256	226	160	100	210	180
CPV-1840-4T	2	628	819	660	210	450	355	275	420	259	305	356	326	225	100	275	280
CPV-1840-6T	2	628	809	630	210	420	355	275	410	259	305	356	326	225	100	275	280
CPV-2045	2	724	1020	810	245	565	400	300	542	310	362	421	381	270	100	322	335

	øO	øO1	V	v	X	x1	x2	Y
CPV-1335	9	12	320	285	-	200	50	140
CPV-1840-4T	9	12	320	285	300	200	50	170
CPV-1840-6T	9	12	320	285	300	200	50	170
CPV-2045	9	12	350	315	350	250	50	197

CPV-1160...2160

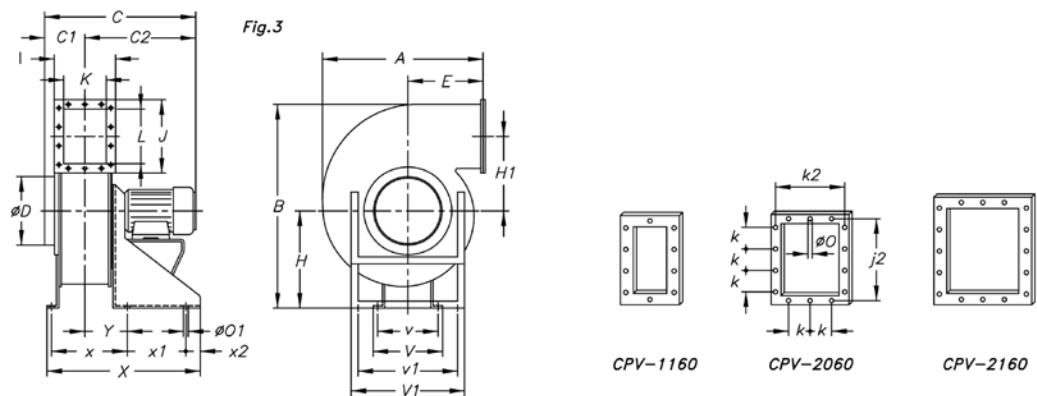


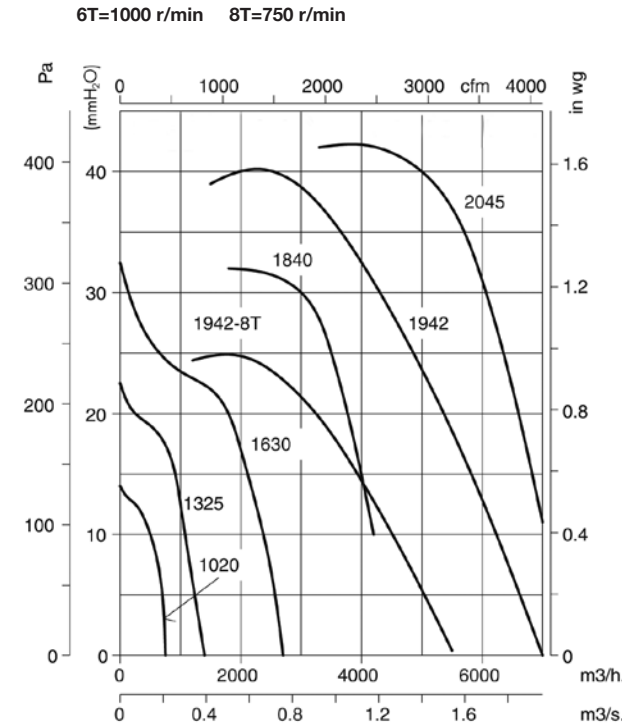
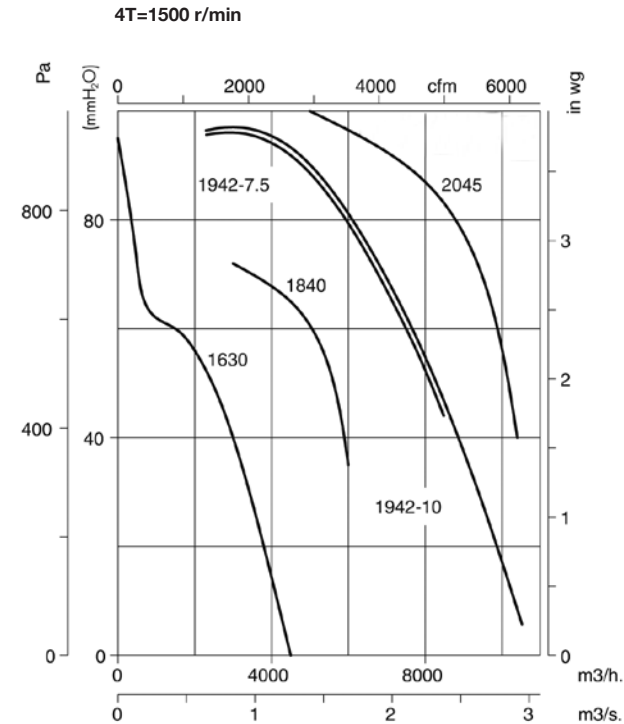
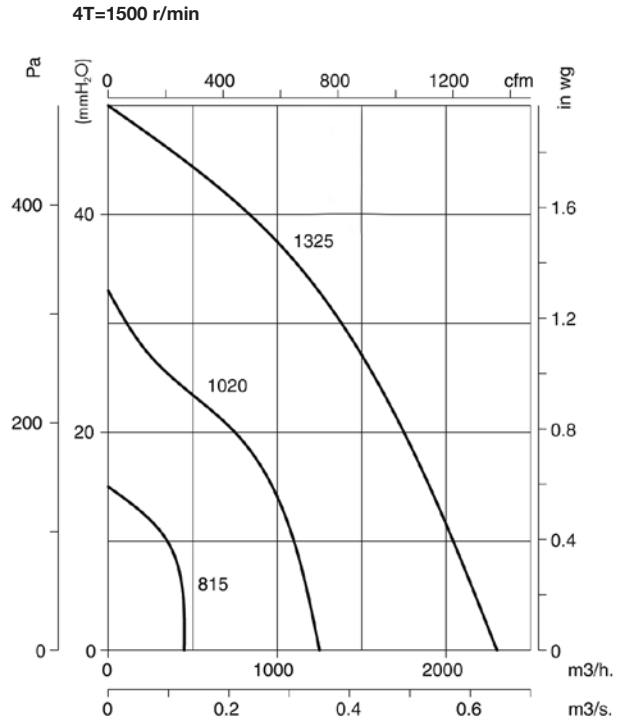
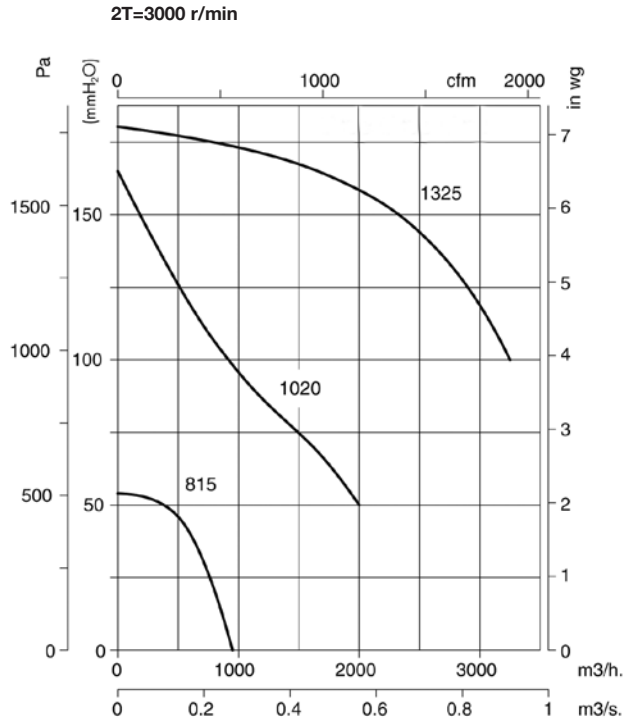
Fig.	A	B	C	C1	C2	øD	E	H	H1	I	J	j2	K	k	k2	L	
CPV-1160	3	937	1296	818	210	608	355	410	720	421	275	416	366	155	100	225	310
CPV-2060	3	937	1296	938	270	668	400	410	720	421	395	416	366	275	100	345	310
CPV-2160	3	981	1356	983	285	698	600	414	720	438.5	455	501	451	335	100	405	395

	øO	øO1	V	V1	v	v1	X	x	x1	x2	Y
CPV-1160	9	14	500	790	450	670	710	265	360	60	155
CPV-2060	9	14	500	790	450	670	855	410	360	60	215
CPV-2160	9	14	500	790	450	670	915	470	360	60	240

Characteristic curves

Q= Flow rate in m³/h, m³/s and cfm

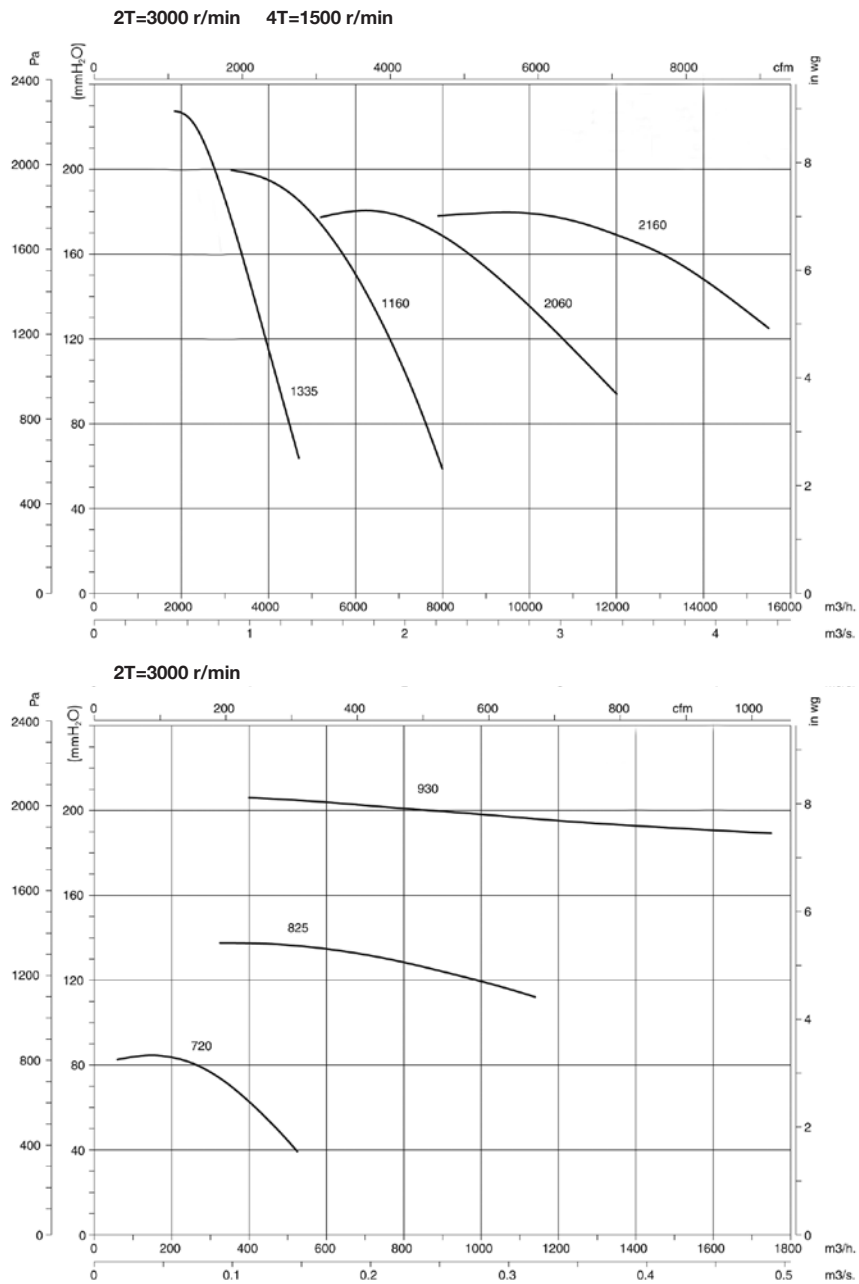
Pe= Static pressure in mm H₂O, Pa and inwg



Characteristic curves

Q= Flow rate in m³/h, m³/s and cfm

Pe= Static pressure in mm H₂O, Pa and inwg



Orientation

Standard supply LG 90



Accessories

See accessories section.



CMA



Medium pressure, single inlet centrifugal fans with cast aluminium casing and impeller.



Fan:

- Cast aluminium casing.
- Cast aluminium impeller.
- Models 324, 325 and 426 impeller in polyamide, model 531-2T-3 impeller in sheet steel.

Finish:

- Anti-corrosive finish of polyester resin polymerised at 190 °C, previously degreased with phosphate-free nanotechnological treatment.

Motor:

- IE3 efficiency motors for powers equal to or greater than 0.75 kW except single-phase, 2-speed and 8-pole.
- Class F motors with ball bearings and IP55 protection except single-phase models, with IP54 protection.
- Single-phase 230 V - 50 Hz and three-phase 230/400 V - 50 Hz.
- Maximum temperature of air to be carried: -20 °C +120 °C, maximum +70 °C models with polyamide impeller.

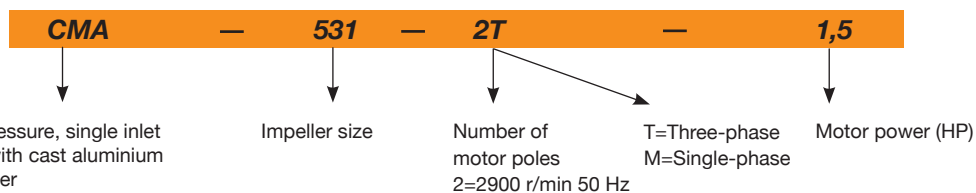
On request:

- Special windings for different voltages.
- Cast aluminium impellers for models 324, 325 and 426.
- Fan prepared for air transmission of up to 250 °C.
- Category 2 ATEX certification (see CMA/ATEX series).



Different impulsion position options

Order code



Technical characteristics

Model	Speed (r/min)	Maximum admissible current (A)		Installed power (kW)	Maximum flow rate m3/h	Sound pressure level dB(A)	Approx. weight (kg)	According to ErP
		230 V	400 V					
CMA-218-2T	2670	0.64	0.37	0.09	265	63	6	Excluded
CMA-218-2M	2760	0.79		0.09	265	63	6	Excluded
CMA-324-2T	2750	1.21	0.70	0.18	440	70	9	2015
CMA-324-2M	2780	1.42		0.18	440	70	9	2015
CMA-325-2T	2710	1.29	0.75	0.25	600	73	11	2015
CMA-325-2M	2780	1.84		0.25	600	73	11	2015
CMA-426-2T	2710	1.92	1.11	0.37	850	75	13	2015
CMA-426-2M	2780	2.53		0.37	850	75	13	2015
CMA-527-2T	2760	2.57	1.49	0.55	1000	80	15	2015
CMA-527-2M	2810	3.49		0.55	1000	80	15	2015
CMA-528-2T-1 IE3	2825	2.80	1.62	0.75	1250	82	29	2015
CMA-528-2M-1	2810	4.50		0.75	1250	82	24	2015
CMA-528-2T-1.5 IE3	2830	4.03	2.34	1.10	1750	83	27	2015
CMA-528-2M-1.5	2820	6.51		1.10	1750	83	26	2015
CMA-531-2T-1.5 IE3	2830	4.03	2.34	1.10	1790	84	30	2015
CMA-531-2M-1.5	2820	6.51		1.10	1790	84	29	2015
CMA-531-2T-2 IE3	2875	5.34	3.07	1.50	2000	85	35	2015
CMA-531-2M-2	2810	8.50		1.50	2000	85	31	2015
CMA-531-2T-3 IE3	2910	7.32	4.21	2.20	2400	86	35	2015
CMA-540-2T IE3	2875	5.34	3.07	1.50	2600	85	42	2015
CMA-545-2T-3 IE3	2910	7.32	4.21	2.20	2630	86	59	2015
CMA-545-2T-4 IE3	2910	10.00	5.77	3.00	3550	88	68	2015

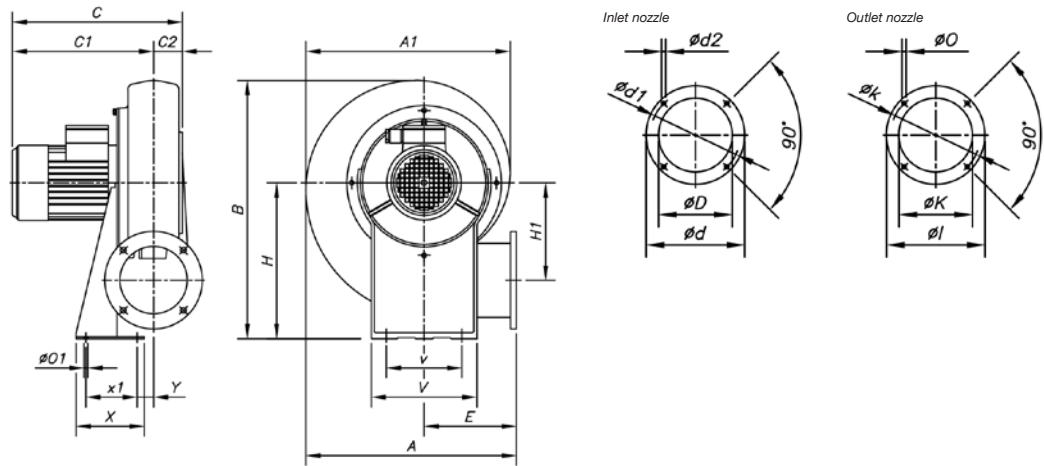
Acoustic characteristics

Sound power spectrum Lw(A) in dB(A) per Hz frequency band

Model	63	125	250	500	1000	2000	4000	8000	Modelo	63	125	250	500	1000	2000	4000	8000
218	29	43	61	67	71	68	63	54	531-1.5	50	64	82	88	92	89	84	75
324	36	50	68	74	78	75	70	61	531-2	51	65	83	89	93	90	85	76
325	39	53	71	77	81	78	73	64	531-3	52	66	84	90	94	91	86	77
426	41	55	73	79	83	80	75	66	540	54	67	85	91	96	92	87	79
527	46	60	78	84	88	85	80	71	545-3	55	68	86	92	97	93	88	80
528-1	48	62	80	86	90	87	82	73	545-4	57	70	88	94	99	95	90	82
528-1.5	49	63	81	87	91	88	83	74									

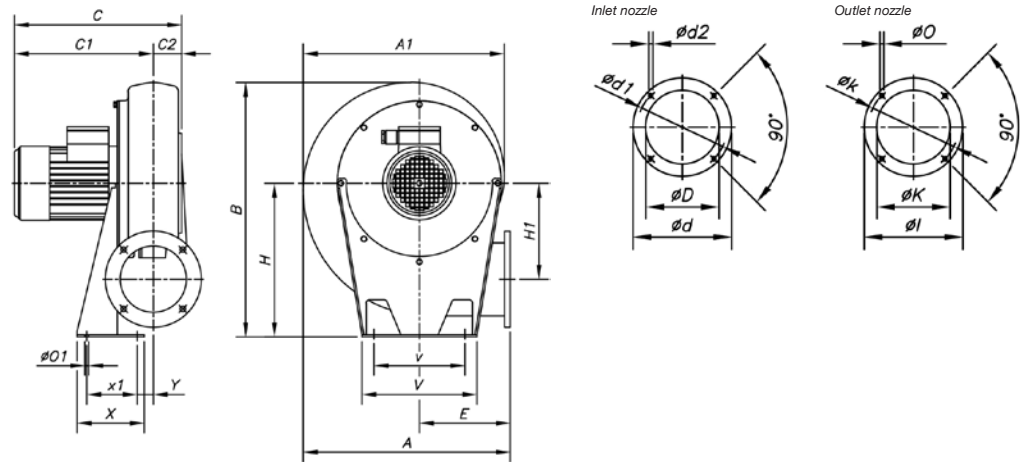
Dimensions mm

CMA-218...528



	A	A1	B	C	C1	C2	øD	ød	ød1	ød2	E	H	H1	øl	øK	øk	øO	øO1	V	v	X	x1	Y
CMA-218	241	236	288	239	207	32	80	113	95	M5	110	170	114.5	90	54	76	5.5	7	140	100	80	50	20
CMA-324	311	302	356	268	230	38	80	130	112	M5	145	205	145	108	62	90	7	9	173	125	90	60	20
CMA-325	335	328	399	271	231	40	94	140	122	M6	155	235	152	120	80	102	7	9	180	145	110	80	20
CMA-426	354	344	412	290	250	40	117	155	132	M6	162	240	163	140	90	119	7	13	210	160	105	65	26
CMA-527	371	361	440	297	255	42	125	170	147	M6	168	260	170	155	100	129	7	13	220	170	120	80	20
CMA-528...1	401	395	488	340	289	51	116	190	162	M6	178	290	177	190	130	160	11	13	230	180	140	100	20
CMA-528...1'5	401	395	488	337	289	48	135	190	162	M6	178	290	177	190	130	160	11	13	230	180	140	100	20

CMA-531

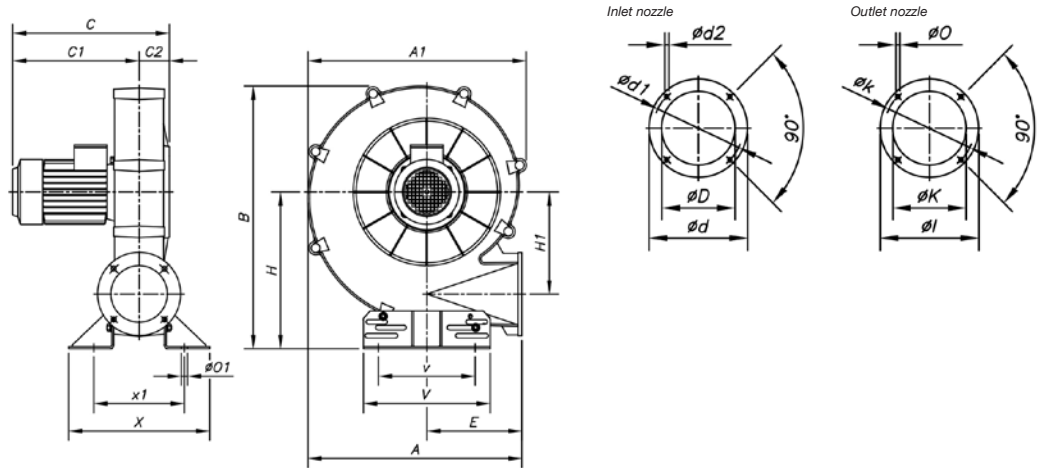


	A	A1	B	C	C1	C2	øD	ød	ød1	ød2	E	H	H1	øl	øK	øk	øO	øO1	V	v	X	x1	Y
CMA-531...1.5	440	434	537	340	290	50	160	215	180	M6	193	320	200	200	140	175	11	13	226	190	160	120	21
CMA-531...2	440	434	537	401	351	50	160	215	180	M6	193	320	200	200	140	175	11	13	226	190	160	120	21
CMA-531...3	440	434	537	401	351	50	160	215	180	M6	193	320	200	200	140	175	11	13	226	190	160	120	21

CENTRIFUGAL FANS AND IN-LINE DUCT EXTRACTOR FANS

Dimensions mm

CMA-540...545

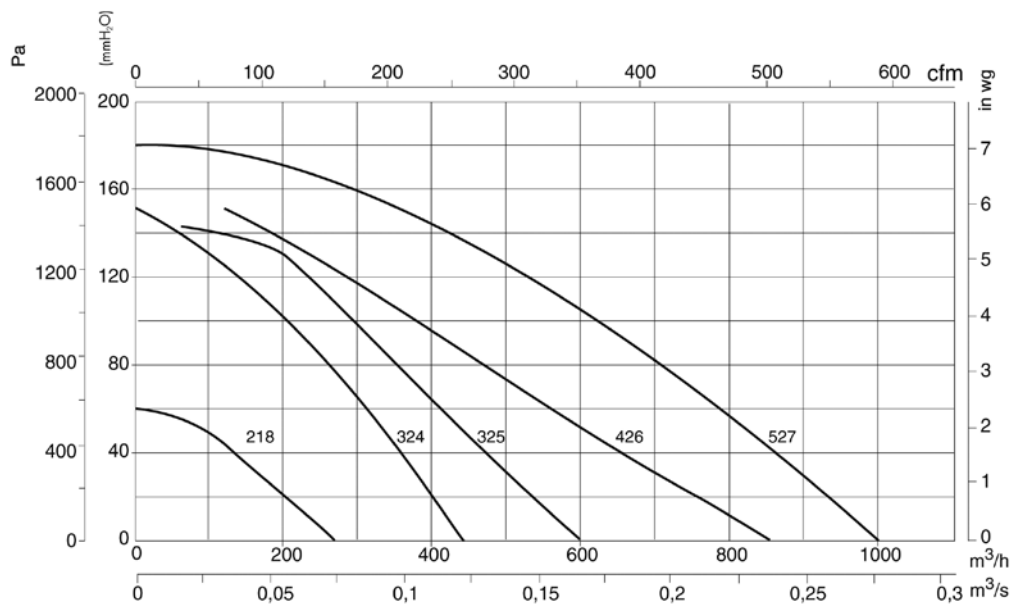


	A	A1	B	C	C1	C2	øD	ød	ød1	ød2	E	H	H1	øl	øK	øk	øO	øO1	V	v	X	x1
CMA-540	567	580	695	403	323	80	170	240	205	M10	252	415	270	220	150	190	13	11	336	218	374	240
CMA-545...3	651	646	776	449	334	115	180	255	220	M10	290	450	309	250	175	220	13	13	336	238	392	292
CMA-545...4	651	646	776	468	353	115	180	255	220	M10	290	450	309	250	175	220	13	13	336	238	392	292

Characteristic curves

Q= Flow rate in m³/h, m³/s and cfm

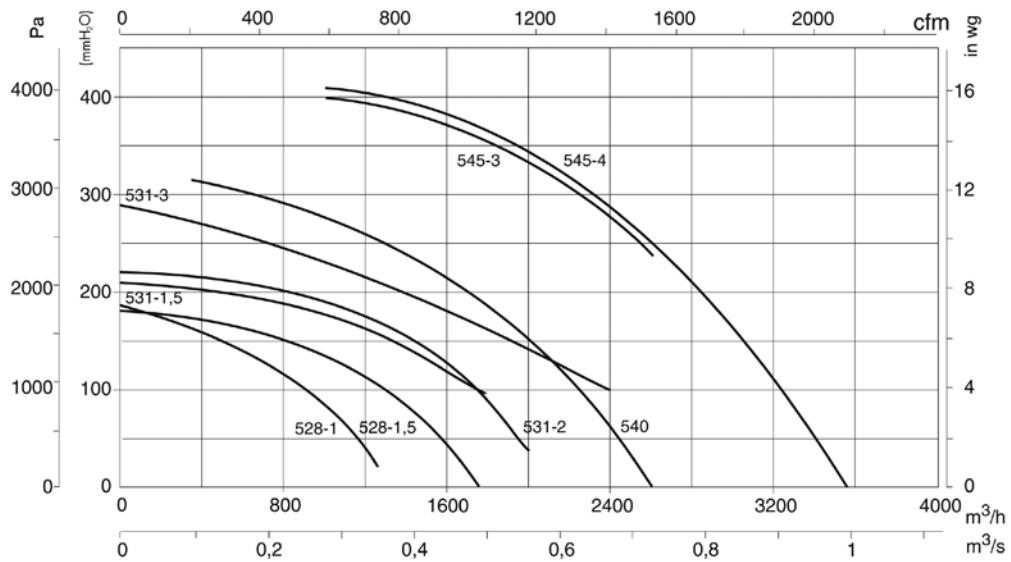
Pe= Static pressure in mm H₂O, Pa and inwg



Characteristic curves

Q= Flow rate in m³/h, m³/s and cfm

Pe= Static pressure in mm H₂O, Pa and inwg



Orientation

Standard supply LG 270

LG 180 position on request and with special anchoring measurements.



Accessories

See accessories section.



CMPE



Medium pressure, single inlet centrifugal fans with external rotor motor.

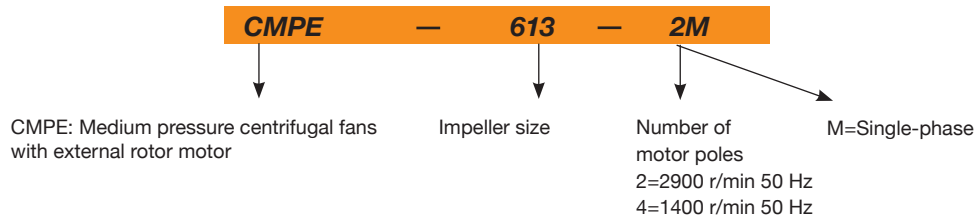


- Fan:**
- Sheet steel casing.
 - Forward-curved impeller.
 - External junction box with cable inlet through cable gland.

- Finish:**
- Anti-corrosive finish of polyester resin polymerised at 190 °C, previously degreased with phosphate-free nanotechnological treatment.

- Motor:**
- Class F external rotor motors with ball bearings.
 - Single-phase 230 V 50/60 Hz.
 - Maximum temperature of air to be carried: -20 °C to +60 °C.

Order code



Technical characteristics

Model	Speed	Maximum admissible current (A)	Max. electric power	Maximum flow rate	Sound pressure level	Approx. weight	According to ErP
	(r/min)	230 V	(kW)	m ³ /h	dB(A)	(kg)	
CMPE-613-2M	1800	0.45	0.105	295	59	2.6	Excluded
CMPE-614-2M	2230	0.75	0.177	510	65	3.0	Excluded
CMPE-716-4M	1430	0.32	0.060	440	59	3.6	Excluded
CMPE-918-4M	1360	0.75	0.155	960	67	5.5	Excluded

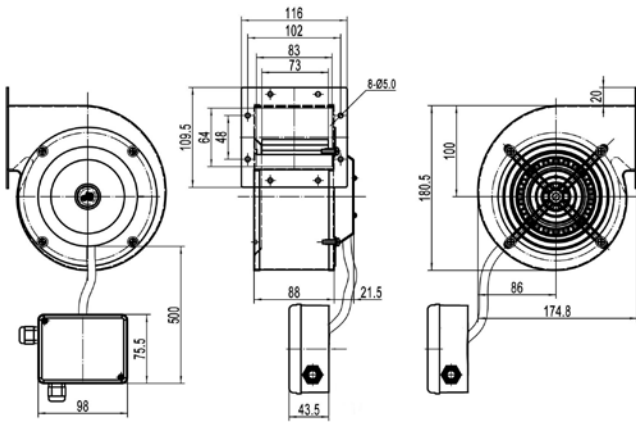


Erp. (Energy Related Products)

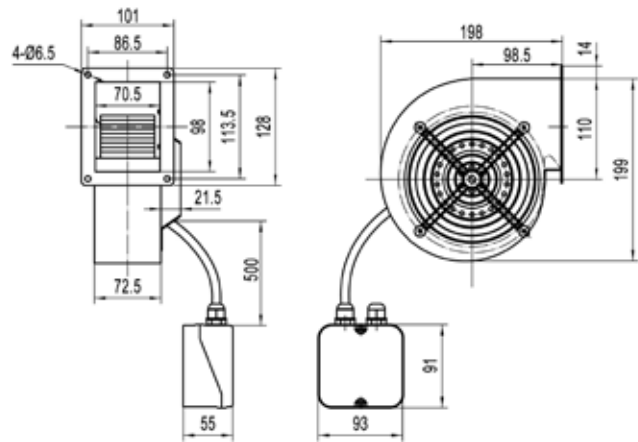
Information on Directive 2009/125/EC can be downloaded from the SODECA website or the QuickFan selector programme.

Dimensions mm

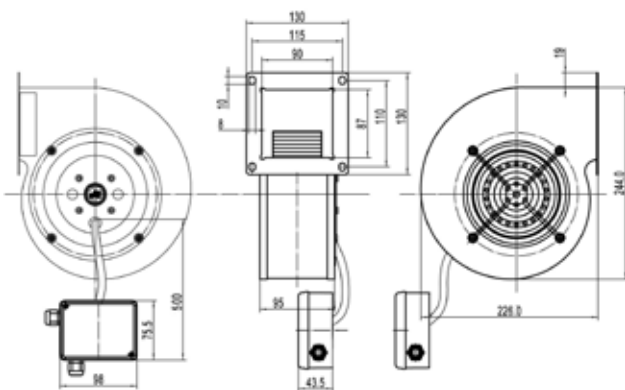
CMPE-613-2M



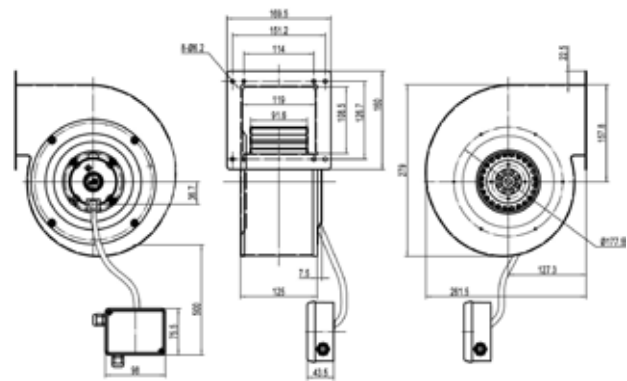
CMPE-614-2M



CMPE-716-4M



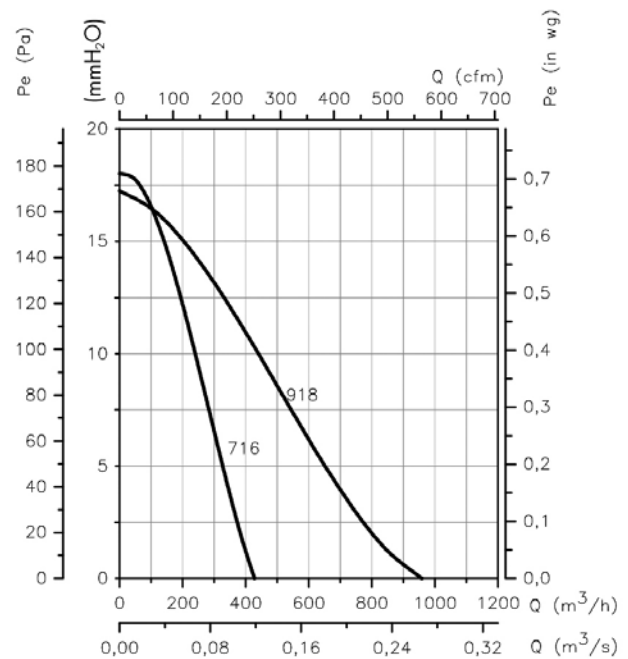
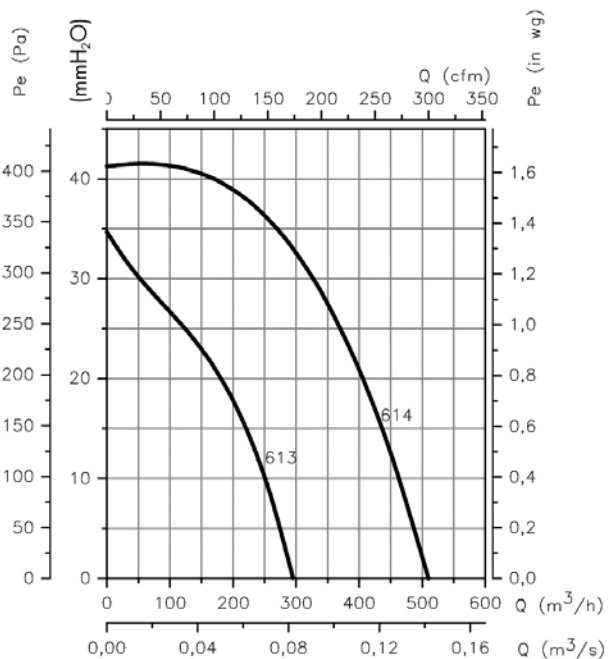
CMPE-918-4M



Characteristic curves

Q= Flow rate in m³/h, m³/s and cfm

Pe= Static pressure in mm H₂O, Pa and inwg



CMP



Medium pressure, single inlet centrifugal fans with sheet steel casing and impeller.



Fan:

- Sheet steel casing.
- Forward-curved impeller made of galvanised sheet steel.
- CMP 38-2M model casing in cast aluminium.
- Maximum temperature of air to be carried: -20 °C +120 °C, maximum +100 °C model CMP-38.

Motor:

- IE3 efficiency motors for powers equal to or greater than 0.75 kW except single-phase, 2-speed and 8-pole.
- Class F motors with ball bearings and IP55 protection except single-phase models, with IP54 protection. CMP-38 model with IP21 protection.
- Single-phase 230 V - 50 Hz and three-phase 230/400 V - 50 Hz (up to 4 kW) and 400/690 V - 50 Hz (powers greater than 4 kW).

Finish:

- Anti-corrosive finish of polyester resin polymerised at 190 °C, previously degreased with phosphate-free nanotechnological treatment.

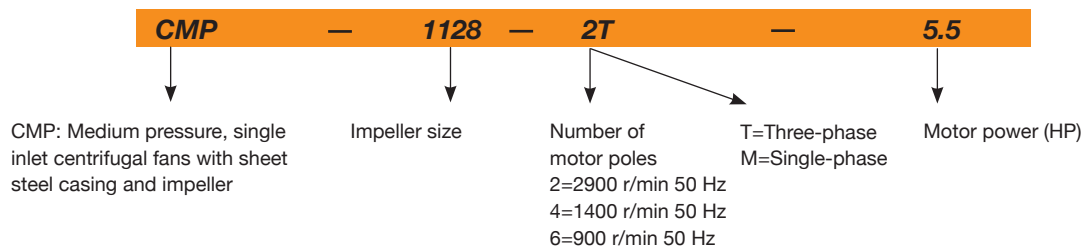
On request:

- Special windings for different voltages.
- Fan prepared for air transmission of up to 250 °C.
- Stainless steel fan.
- Category 2 ATEX certification (see CMP/ATEX series).



Dynamically balanced rotors with extremely robust cores

Order code



Technical characteristics

Model	Speed (r/min)	Maximum admissible current (A)			Installed power (kW)	Maximum flow rate m ³ /h	Sound pressure level dB(A)	Approx. weight (kg)	According to ErP
		230 V	400 V	690 V					
CMP-38-2M/E	2650	0.50			0.01	135	50	2	Excluded
CMP-38-2M	2600	0.50			0.01	160	50	2	Excluded
CMP-512-2T	2670	0.64	0.37		0.09	380	62	4	Excluded
CMP-512-2M	2760	0.79			0.09	380	62	4	Excluded
CMP-512-4T	1320	0.65	0.38		0.09	255	55	4	Excluded
CMP-512-4M	1370	0.83			0.09	255	55	4	Excluded
CMP-514-2T	2750	1.21	0.70		0.18	700	65	5	2015
CMP-514-2M	2780	1.42			0.18	700	65	5	2015
CMP-514-4T	1320	0.65	0.38		0.09	565	58	5	Excluded
CMP-514-4M	1370	0.83			0.09	565	58	5	Excluded
CMP-616-2T	2760	2.57	1.49		0.55	1380	69	8	2015
CMP-616-2M	2810	3.49			0.55	1380	69	10	2015
CMP-616-4T	1320	0.65	0.38		0.09	850	61	8	Excluded
CMP-616-4M	1370	0.83			0.09	850	61	8	Excluded
CMP-620-2T	2710	1.92	1.11		0.37	765	68	10	2015
CMP-620-2M	2780	2.53			0.37	765	68	10	2015
CMP-620-4T	1320	0.96	0.56		0.12	810	61	8	Excluded

Technical characteristics

Model	Speed (r/min)	Maximum admissible current (A)			Installed power (kW)	Maximum flow rate m3/h	Sound pressure level dB(A)	Approx. weight (kg)	According to ErP
		230 V	400 V	690 V					
CMP-620-4M	1380	1.03			0.12	810	61	8	Excluded
CMP-718-2T IE3	2825	2.80	1.62		0.75	1485	70	18	2015
CMP-718-2M	2810	4.50			0.75	1485	70	13	2015
CMP-718-4T	1350	1.66	0.96		0.25	1280	63	10	2015
CMP-718-4M	1370	2.00			0.25	1280	63	10	2015
CMP-820-2T IE3	2830	4.03	2.34		1.10	1950	73	16	2015
CMP-820-2M	2820	6.51			1.10	1950	73	16	2015
CMP-820-4T	1350	1.66	0.96		0.25	1670	66	10	2015
CMP-820-4M	1370	2.00			0.25	1670	66	10	2015
CMP-922-2T-1.5 IE3	2830	4.03	2.34		1.10	1650	70	21	2015
CMP-922-2T-2 IE3	2875	5.34	3.07		1.50	2010	71	27	2015
CMP-922-2T-3 IE3	2910	7.32	4.21		2.20	2600	74	30	2015
CMP-922-4T	1380	2.92	1.69		0.55	2450	66	19	2015
CMP-1025-2T-3 IE3	2910	7.32	4.21		2.20	2100	73	33	2015
CMP-1025-2T-4 IE3	2910	10.00	5.77		3.00	2830	77	41	2015
CMP-1025-4T IE3	1455	4.07	2.34		1.10	3400	70	43	2015
CMP-1128-2T-4 IE3	2910	10.00	5.77		3.00	2220	77	45	2015
CMP-1128-2T-5.5 IE3	2900	13.00	7.50		4.00	3210	81	56	2015
CMP-1128-4T IE3	1435	7.93	4.56		2.20	5000	74	40	2015
CMP-1128-6T IE3	940	3.36	1.93		0.75	3300	60	32	2015
CMP-1231-4T-3 IE3	1435	7.93	4.56		2.20	4740	73	48	2015
CMP-1231-4T-4 IE3	1440	10.70	6.15		3.00	5910	75	54	2015
CMP-1231-4T-5.5 IE3	1450	13.90	8.00		4.00	6850	77	58	2015
CMP-1231-6T IE3	950	6.43	3.70		1.50	5115	64	53	2015
CMP-1435-4T-4 IE3	1440	10.70	6.15		3.00	5560	76	58	2015
CMP-1435-4T-5.5 IE3	1450	13.90	8.00		4.00	6260	78	64	2015
CMP-1435-4T-7.5 IE3	1465		10.30	5.97	5.50	7210	80	99	2015
CMP-1435-6T IE3	950	9.08	5.22		2.20	6400	66	63	2015
CMP-1640-4T-5.5 IE3	1450	13.90	8.00		4.00	7000	77	81	2015
CMP-1640-4T-7.5 IE3	1465		10.30	5.97	5.50	8035	80	116	2015
CMP-1640-4T-10 IE3	1465		13.90	8.06	7.50	9710	82	120	2015
CMP-1640-6T IE3	950	9.08	5.22		2.20	8100	71	80	2015
CMP-1845-4T-7.5 IE3	1465		10.30	5.97	5.50	8000	82	117	2015
CMP-1845-4T-10 IE3	1465		13.90	8.06	7.50	10000	85	121	2015
CMP-1845-6T IE3	950	9.08	5.22		2.20	7500	77	88	2015
CMP-2050-4T-10 IE3	1465		13.90	8.06	7.50	9000	83	150	2015
CMP-2050-4T-15 IE3	1470		20.90	12.10	11.00	12525	87	178	2015
CMP-2050-4T-20 IE3	1465		27.90	16.20	15.00	16500	89	189	2015
CMP-2050-6T IE3	960	15.60	8.99		4.00	11000	79	144	2015
CMP-2563-6T IE3	975		28.20	16.30	15.00	21000	86	300	2015



Erp. (Energy Related Products)

Information on Directive 2009/125/EC can be downloaded from the SODECA website or the QuickFan selector programme.

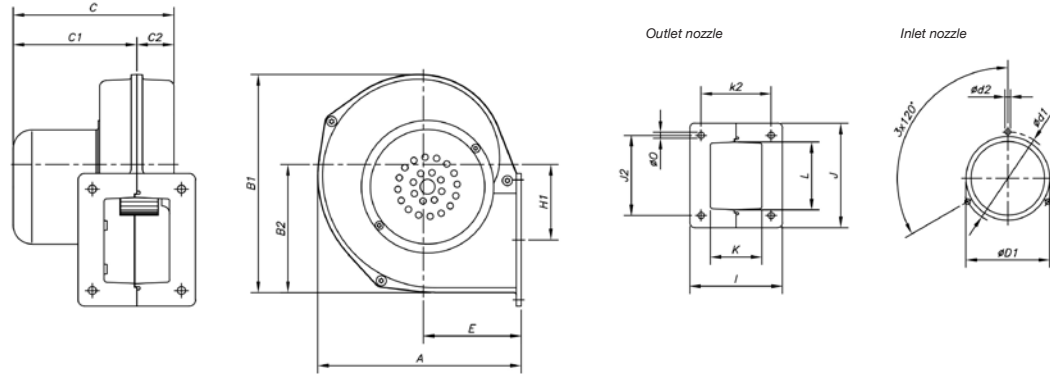
Acoustic characteristics

Model	Sound power spectrum Lw(A) in dB(A) per Hz frequency band								Modelo								
	63	125	250	500	1000	2000	4000	8000		63	125	250	500	1000	2000	4000	8000
38	25	35	46	53	57	54	52	45	1128-4	49	59	70	77	81	78	76	69
512-2	37	47	58	65	69	66	64	57	1128-6	35	45	56	63	67	64	62	55
512-4	30	40	51	58	62	59	57	50	1231-4-3	51	60	71	78	82	80	78	71
514-2	40	50	61	68	72	69	67	60	1231-4-4	53	62	73	80	84	82	80	73
514-4	33	43	54	61	65	62	60	53	1231-4-5,5	55	64	75	82	86	84	82	75
616-2	44	54	65	72	76	73	71	64	1231-6	42	51	62	69	73	71	69	62
616-4	36	46	57	64	68	65	63	56	1435-4-4	54	63	74	81	85	83	81	74
620-2	43	53	64	71	75	72	70	63	1435-4-5,5	56	65	76	83	87	85	83	76
620-4	36	46	57	64	68	65	63	56	1435-4-7,5	58	67	78	85	89	87	85	78
718-2	45	55	66	73	77	74	72	65	1435-6	44	53	64	71	75	73	71	64
718-4	38	48	59	66	70	67	65	58	1640-4-5,5	55	64	75	82	86	84	82	75
820-2	48	58	69	76	80	77	75	68	1640-4-7,5	58	67	78	85	89	87	85	78
820-4	41	51	62	69	73	70	68	61	1640-4-10	60	69	80	87	91	89	87	80
922-2-1.5	45	55	66	73	77	74	72	65	1640-6	49	58	69	76	80	78	76	69
922-2-2	46	56	67	74	78	75	73	66	1845-4-7,5	61	71	82	89	93	91	89	81
922-2-3	49	59	70	77	81	78	76	69	1845-4-10	64	74	85	92	96	94	92	84
922-4	41	51	62	69	73	70	68	61	1845-6	56	66	77	84	88	86	84	76
1025-2-3	48	58	69	76	80	77	75	68	2050-4-10	62	72	83	90	94	92	90	82
1025-2-4	52	62	73	80	84	81	79	72	2050-4-15	66	76	87	94	98	96	94	86
1025-4	45	55	66	73	77	74	72	65	2050-4-20	68	78	89	96	100	98	96	88
1128-2-4	52	62	73	80	84	81	79	72	2050-6	58	68	79	86	90	88	86	78
1128-2-5.5	56	66	77	84	88	85	83	76	2563-6	67	77	88	95	99	96	94	87

CENTRIFUGAL FANS AND IN-LINE DUCT EXTRACTOR FANS

Dimensions mm

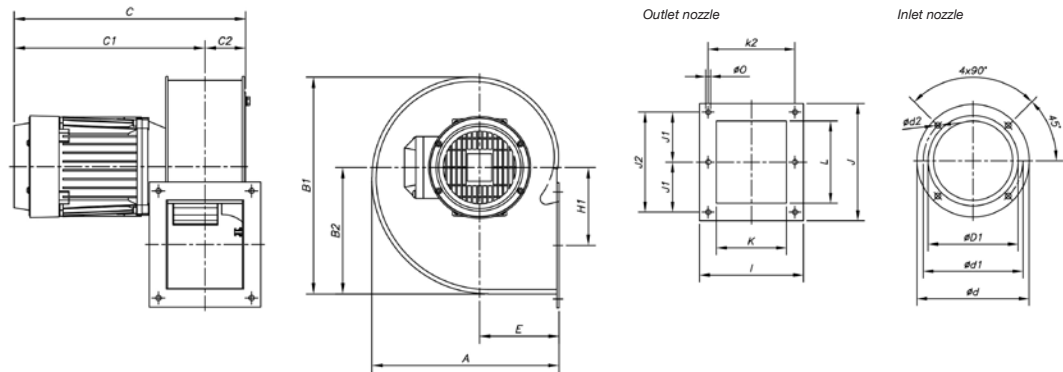
CMP-38



	A	B1	B2	C	C1	C2	øD1*	ød1	ød2	E	H1	I	J	J2	K	k2	L	øO
CMP-38-2M/E	141	165	97	122	96	26	80	85	2.4	60	60.5	100	80	46	50	77	52	8
CMP-38-2M	164.5	176.5	103.5	130	100	30	60	85	M4	79	61	95	107	82	53	72	69	6.5

* Recommended nominal tube diameter

CMP-512...820

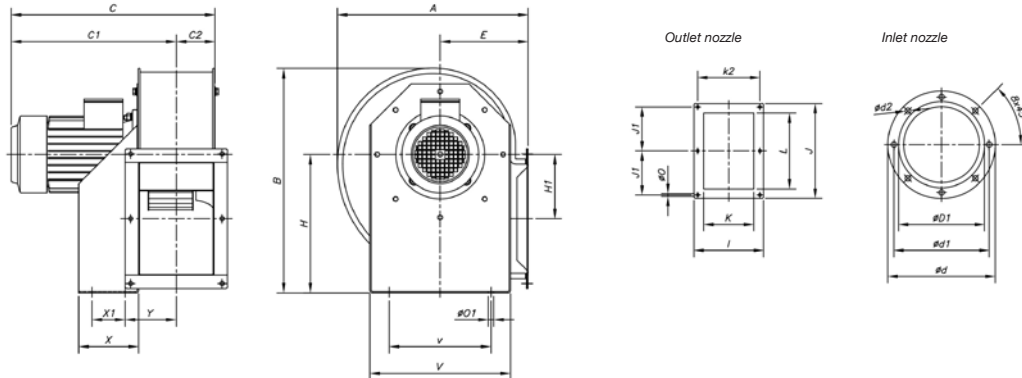


	A	B1	B2	C	C1	C2	øD1*	ød	ød1	ød2	E	H1	I	J	J1	J2	K	k2	L	øO
CMP-512-2T	185	206.5	118	251	212	39	112	140	132	M4	81	69	106	118	-	104.5	75	93	86	5.5
CMP-512-4T	185	206.5	118	249	210	39	112	140	132	M4	81	69	106	118	-	104.5	75	93	86	5.5
CMP-514-2T	225	254	150	281	236	45	140	169	151.5	M4	100	91	122	147	64	128	83	105	107	6.5
CMP-514-4T	225	254	150	261	216	45	140	169	151.5	M4	100	91	122	147	64	128	83	105	107	6.5
CMP-616-2T	258	297	173.5	320	264	56	160	204	180	M6	110	105.5	153	172	-	147	103	128	122	7
CMP-616-4T	258	297	173.5	283	227	56	160	204	180	M6	110	105.5	153	172	-	147	103	128	122	7
CMP-620-2T	298	347	202.5	321	265	56	200	247	230	M6	126	145.5	159	153	-	128	105	134	100	8
CMP-620-4T	298	347	202.5	283	227	56	200	247	230	M6	126	145.5	159	153	-	128	105	134	100	8
CMP-718-2T	303.5	348	201	355	294	61	180	238	210	M6	129.5	122	169	192	85	170	115	145	146	9
CMP-718-2M	303.5	348	201	355	245	61	180	238	210	M6	129.5	122	169	192	85	170	115	145	146	9
CMP-718-4T	303.5	348	201	331	270	61	180	238	210	M6	129.5	122	169	192	85	170	115	145	146	9
CMP-718-4M	303.5	348	201	331	270	61	180	238	210	M6	129.5	122	169	192	85	170	115	145	146	9
CMP-820-2T	322	377	223	369.5	301	68.5	200	247	230	M6	137.5	137	184	213	94.5	189	130	160	156	9
CMP-820-2M	322	377	223	369.5	301	68.5	200	247	230	M6	137.5	137	184	213	94.5	189	130	160	156	9
CMP-820-4T	322	377	223	345.5	277	68.5	200	247	230	M6	137.5	137	184	213	94.5	189	130	160	156	9
CMP-820-4M	322	377	223	345.5	277	68.5	200	247	230	M6	137.5	137	184	213	94.5	189	130	160	156	9

* Recommended nominal tube diameter

Dimensions mm

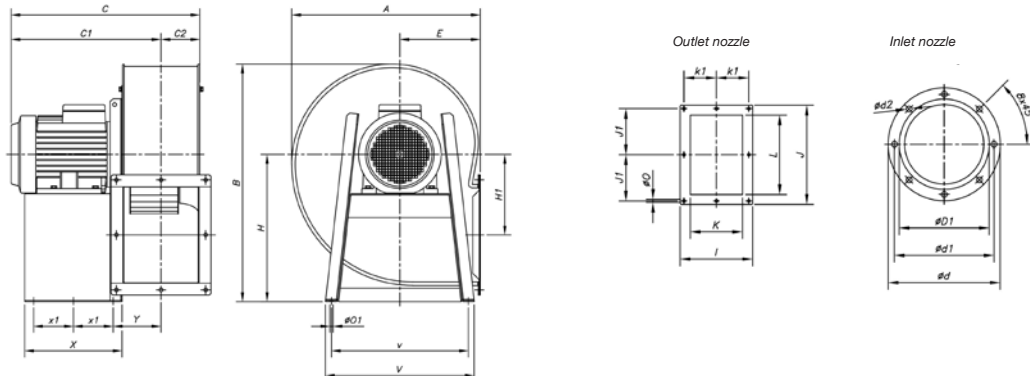
CMP-922...1231



	A	B	C	C1	C2	ØD1*	Ød	Ød1	Ød2	E	H	H1	I	J	J1	K	k2	L	ØO	ØO1	V	v	X	X1	Y
CMP-922-2T-1.5	388.5	455	382.5	309	73.5	224	278	256	M8	180	280	134	204	282.5	128	140	180	215	9.5	10.5	290	220	114	50	105
CMP-922-2T-2	388.5	455	430.5	357	73.5	224	278	256	M8	180	280	134	204	282.5	128	140	180	215	9.5	10.5	290	220	114	50	105
CMP-922-2T-3	388.5	455	430.5	357	73.5	224	278	256	M8	180	280	134	204	282.5	128	140	180	215	9.5	10.5	290	220	114	50	105
CMP-922-4T	388.5	455	382.5	309	73.5	224	278	256	M8	180	280	134	204	282.5	128	140	180	215	9.5	10.5	290	220	114	50	105
CMP-1025-2T-3	427	503	456	370	86	250	305	282	M8	197	310	144	229	312.5	145	165	205	250	9.5	12.5	315	228	134	74	115.5
CMP-1025-2T-4	427	503	486	400	86	250	305	282	M8	197	310	144	229	312.5	145	165	205	250	9.5	12.5	315	228	134	74	115.5
CMP-1025-4T	427	503	456	370	86	250	305	282	M8	197	310	144	229	312.5	145	165	205	250	9.5	12.5	315	228	134	74	115.5
CMP-1128-2T-4	472	553	500.5	407	93.5	280	348	320	M8	216	340	152	244	364	170	180	220	296.5	9.5	12.5	348	245	144	95	122.5
CMP-1128-2T-5.5	472	553	523.5	430	93.5	280	348	320	M8	216	340	152	244	364	170	180	220	296.5	9.5	12.5	348	245	144	95	122.5
CMP-1128-4T	472	553	500.5	407	93.5	280	348	320	M8	216	340	152	244	364	170	180	220	296.5	9.5	12.5	348	245	144	95	122.5
CMP-1128-6T	472	553	470.5	377	93.5	280	348	320	M8	216	340	152	244	364	170	180	220	296.5	9.5	12.5	348	245	144	95	122.5
CMP-1231-4T-3	526	630	520.5	417	103.5	315	382	354	M8	238	390	179.5	264	382.5	180	200	240	320	11.5	13	382	322	183	140	126
CMP-1231-4T-4	526	630	520.5	417	103.5	315	382	354	M8	238	390	179.5	264	382.5	180	200	240	320	11.5	13	382	322	183	140	126
CMP-1231-4T-5.5	526	630	543.5	440	103.5	315	382	354	M8	238	390	179.5	264	382.5	180	200	240	320	11.5	13	382	322	183	140	126
CMP-1231-6T	526	630	520.5	417	103.5	315	382	354	M8	238	390	179.5	264	382.5	180	200	240	320	11.5	13	382	322	183	140	126

* Recommended nominal tube diameter

CMP-1435...2563



	A	B	C	C1	C2	ØD1*	Ød	Ød1	Ød2	E	H	H1	I	J	J1	K	k1	L	ØO	ØO1	V	v	X	X1	Y
CMP-1435-4T-4	573.5	715	549	431	118	355	422	394	M8	250	445	242.5	292	342.5	159	228	133	280	11.5	12	456	420	333	136.5	150
CMP-1435-4T-5.5	573.5	715	572	454	118	355	422	394	M8	250	445	242.5	292	342.5	159	228	133	280	11.5	12	456	420	333	136.5	150
CMP-1435-4T-7.5	573.5	715	610	492	118	355	422	394	M8	250	445	242.5	292	342.5	159	228	133	280	11.5	12	456	420	333	136.5	150
CMP-1435-6T	573.5	715	572	454	118	355	422	394	M8	250	445	242.5	292	342.5	159	228	133	280	11.5	12	456	420	333	136.5	150
CMP-1640-4T-5.5	634	799	596	465	130	400	464	438	M8	270	495	271	336	404	185	250	150	321	11.5	12	500	460	327	133.5	162.5
CMP-1640-4T-7.5	634	799	634	504	130	400	464	438	M8	270	495	271	336	404	185	250	150	321	11.5	12	500	460	327	133.5	162.5
CMP-1640-4T-10	634	799	634	504	130	400	464	438	M8	270	495	271	336	404	185	250	150	321	11.5	12	500	460	327	133.5	162.5
CMP-1640-6T	634	799	596	466	130	400	464	438	M8	270	495	271	336	404	185	250	150	321	11.5	12	500	460	327	133.5	162.5
CMP-1845-4T-7.5	711	901	668	521	147	450	515	485	M8	302	560	305	370	444	202	284	164	361	11.5	12	538	502	340	140	179.5
CMP-1845-4T-10	711	901	668	521	147	450	515	485	M8	302	560	305	370	444	202	284	164	361	11.5	12	538	502	340	140	179.5
CMP-1845-6T	711	901	630	483	147	450	515	485	M8	302	560	305	370	444	202	284	164	361	11.5	12	538	502	340	140	179.5
CMP-2050-4T-10	797	987	700.5	538	162.5	500	565	535	M10	345	610	313	411	544	250	315	182.5	451	11.5	12	653	615	435	188	196
CMP-2050-4T-15	797	987	805.5	643	162.5	500	565	535	M10	345	610	313	411	544	250	315	182.5	451	11.5	12	653	615	435	188	196
CMP-2050-4T-20	797	987	805.5	643	162.5	500	565	535	M10	345	610	313	411	544	250	315	182.5	451	11.5	12	653	615	435	188	196
CMP-2050-6T	797	987	700.5	538	162.5	500	565	535	M10	345	610	313	411	544	250	315	182.5	451	11.5	12	653	615	435	188	196
CMP-2563-6T	1030	1217	1047	836	211	630	710	675	M10	460	742	378	512	706	330	410	230	600	17	14	590	540	450	200	239

* Recommended nominal tube diameter

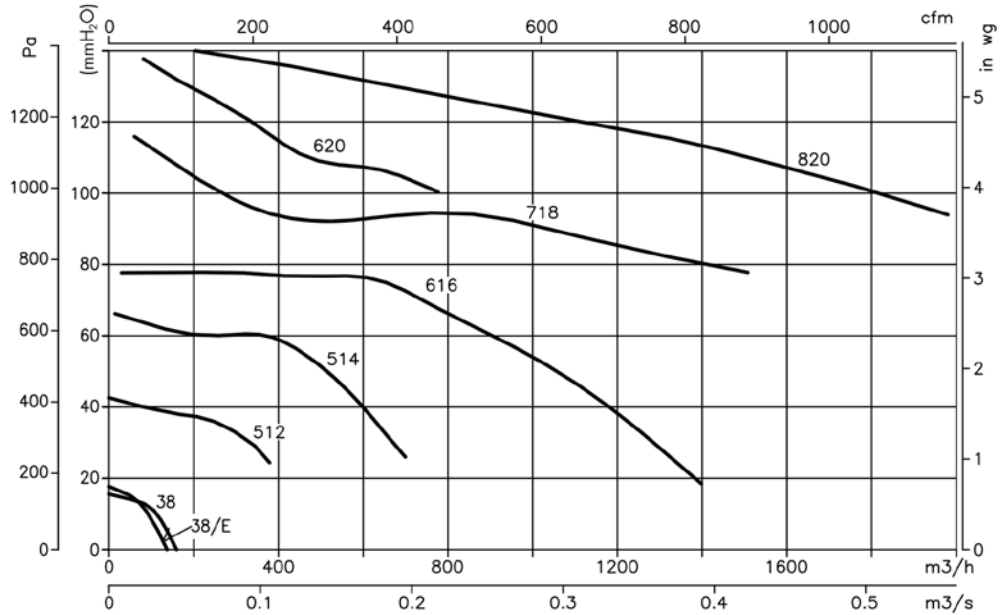
CENTRIFUGAL FANS AND IN-LINE DUCT EXTRACTOR FANS

Characteristic curves

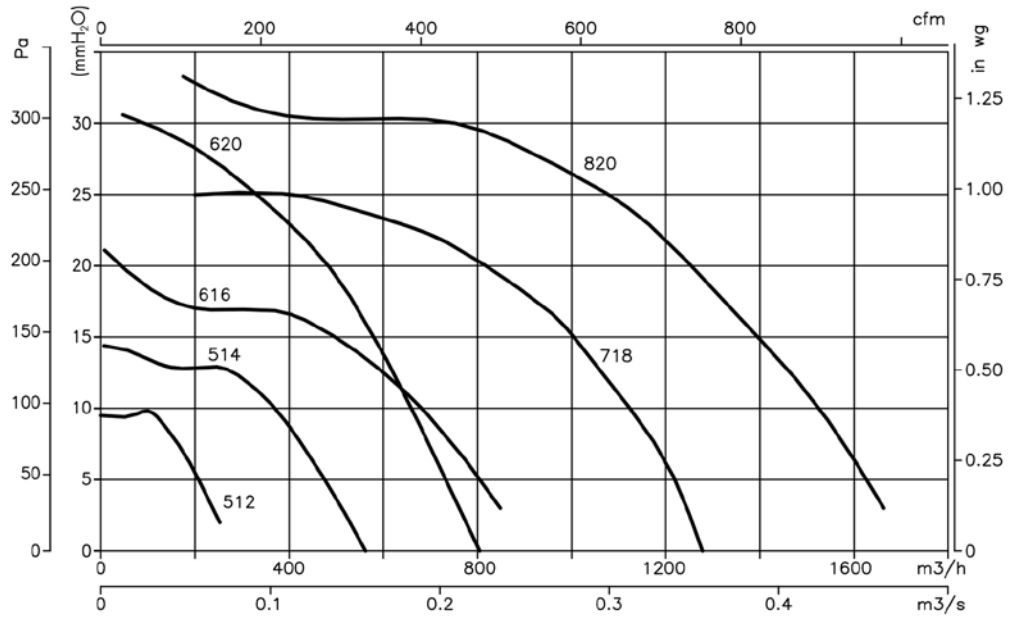
Q= Flow rate in m³/h, m³/s and cfm

Pe= Static pressure in mm H₂O, Pa and inwg

2T/2M=3000 r/min



4T/4M=1500 r/min

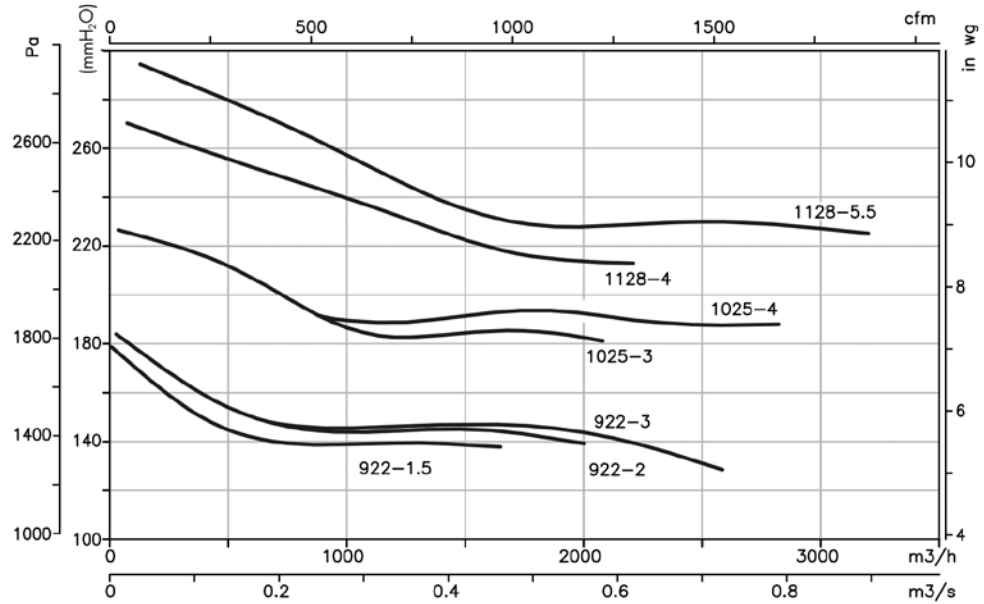


Characteristic curves

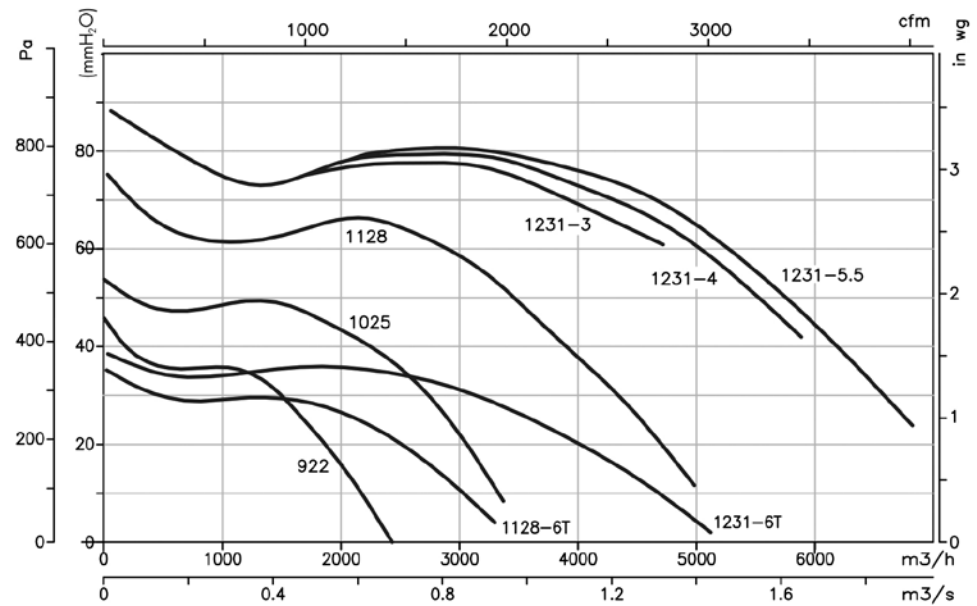
Q= Flow rate in m³/h, m³/s and cfm

Pe= Static pressure in mm H₂O, Pa and inwg

2T=3000 r/min



4T=1500 r/min
6T=1000 r/min

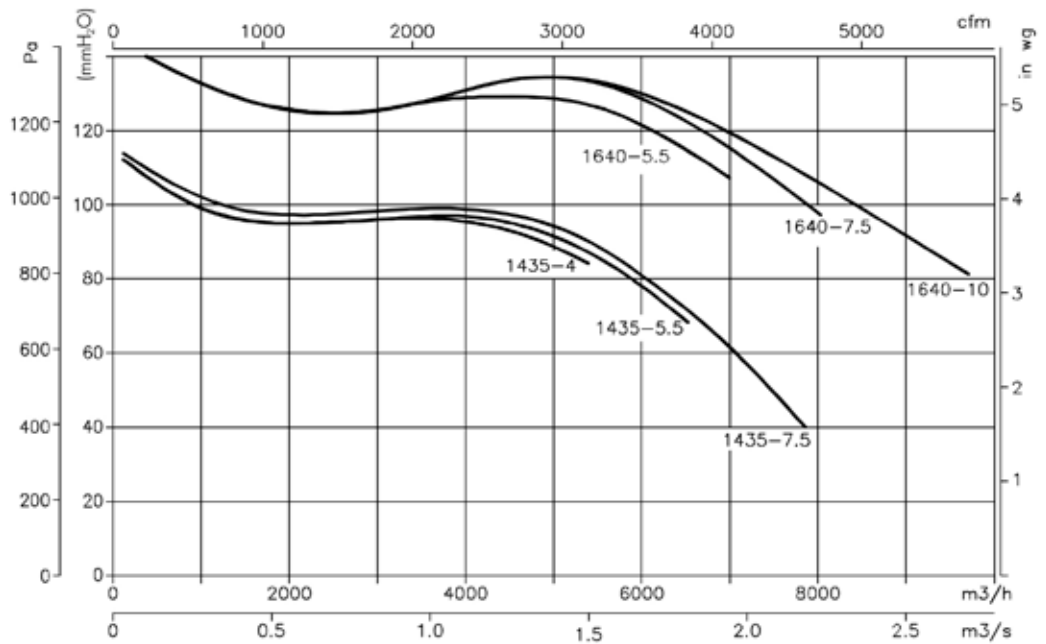


Characteristic curves

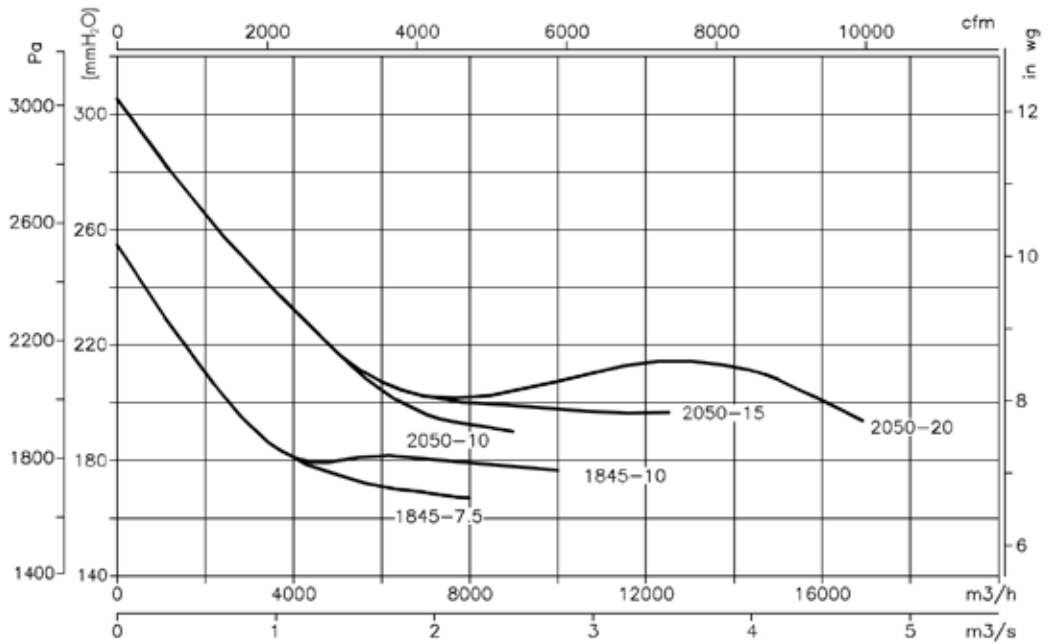
Q= Flow rate in m³/h, m³/s and cfm

Pe= Static pressure in mm H₂O, Pa and inwg

4T=1500 r/min



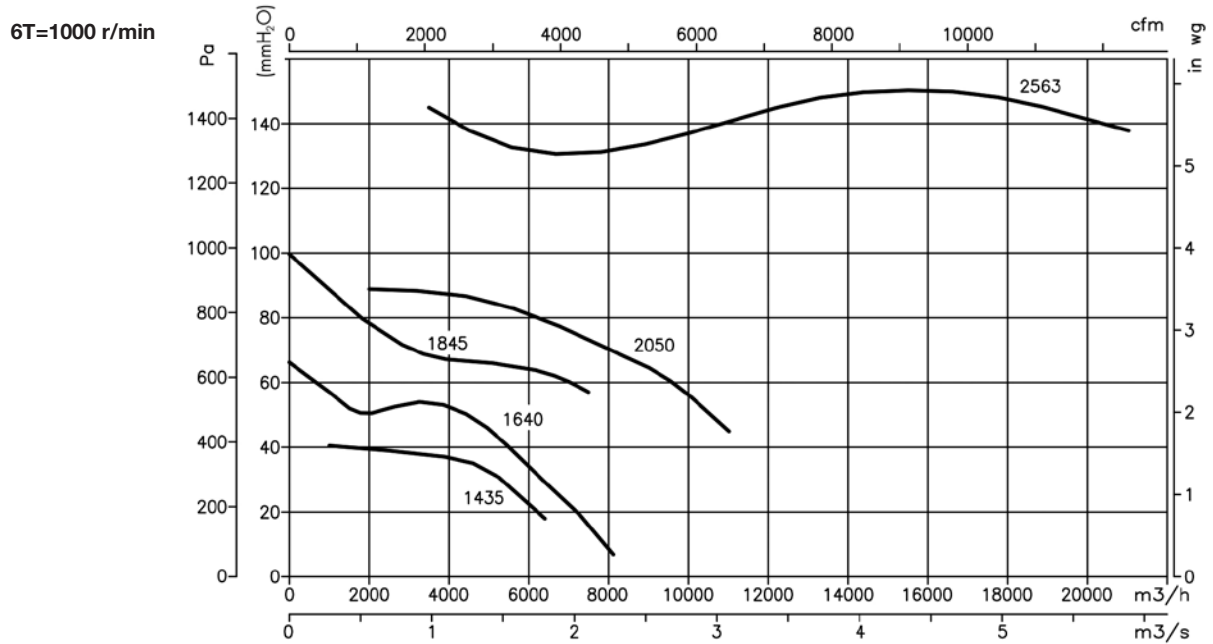
4T=1500 r/min



Characteristic curves

Q= Flow rate in m³/h, m³/s and cfm

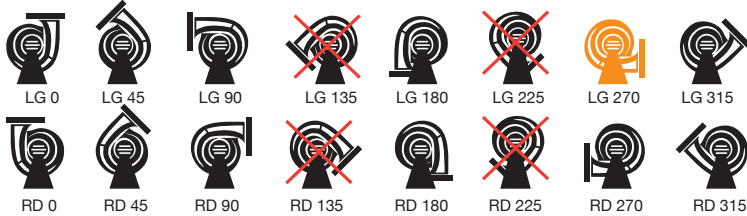
Pe= Static pressure in mm H₂O, Pa and inwg



Orientation

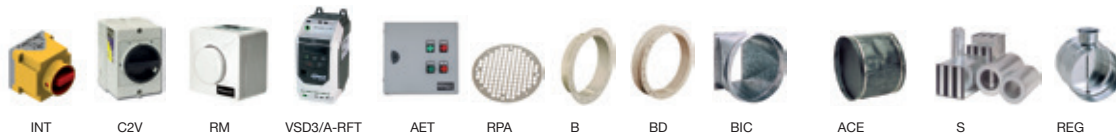
Standard supply LG 270

Positions LG 180 and RD 180 on request with special anchoring measurements.



Accessories

See accessories section.



CMP/AL CJMP/AL



CMP/AL: Aluminium non-spark fans with certificate of compliance with standard UNE-60601 and in accordance with natural gas boiler room needs.

CJMP/AL: Aluminium non-spark ventilation units with certificate of compliance with standard UNE-60601 and in accordance with natural gas boiler room needs.



Fan:

- Forward-curved impeller made of sheet aluminium.
- CMP/AL: Sheet aluminium casing.
- CJMP/AL: Galvanised sheet steel structure.

Motor:

- Class F motors with ball bearings and IP55 protection.
- Single-phase 230 V - 50 Hz.
- Maximum temperature of air to be carried: -20 °C +120 °C.

Finish:

- CMP/AL: Anti-corrosive finish of polyester resin polymerised at 190 °C, previously degreased with

phosphate-free nanotechnological treatment.

- CJMP/AL: Anti-corrosive finish on galvanised sheet steel.

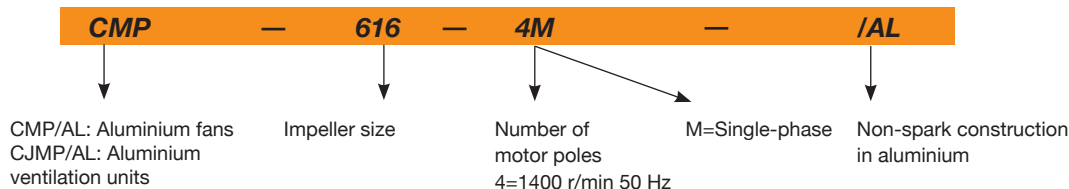
On request:

- Special windings for different voltages.
- ATEX-certified Category 2.



Dynamically balanced rotors with extremely robust cores

Order code



Technical characteristics

Model	Speed	Maximum admissible current (A)	Installed power	Maximum flow rate	Sound pressure level	Approx. weight	According to ErP
	(r/min)	230 V	(kW)	m ³ /h	dB(A)	(kg)	
CMP-512-4M/AL	1370	0.83	0.09	255	55	4	Excluded
CMP-514-4M/AL	1370	0.83	0.09	565	58	5	Excluded
CMP-616-4M/AL	1370	0.83	0.09	850	61	8	Excluded
CMP-820-4M/AL	1370	2.00	0.25	1670	66	10	2015
CJMP-512-4M/AL	1370	0.83	0.09	255	50	8.5	Excluded
CJMP-514-4M/AL	1370	0.83	0.09	565	54	10.5	Excluded
CJMP-616-4M/AL	1370	0.83	0.09	850	57	14.5	Excluded
CJMP-820-4M/AL	1370	2.00	0.25	1670	60	18.0	2015

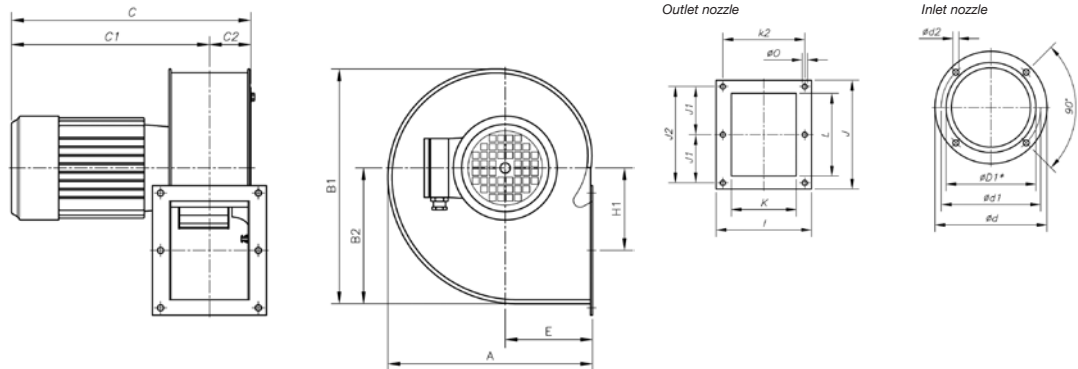


Erp. (Energy Related Products)

Information on Directive 2009/125/EC can be downloaded from the SODECA website or the QuickFan selector programme.

Dimensions mm

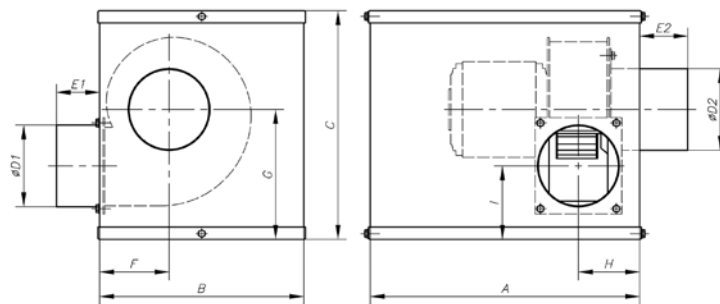
CMP/AL-512...820



	A	B1	B2	C	C1	C2	øD1*	ød	ød1	ød2	E	H1	I	J	J1	J2	K	k2	L	øO
CMP-512-4M/AL	182	207	118	197,5	159	38,5	112	140	132	M4	81	69	106	118	-	105	72	93	86	5.5
CMP-514-4M/AL	225	254	150	210	165	45	140	169	151,5	M4	100	91	122	147	64	128	83	105	107	6.5
CMP-616-4M/AL	258	297	173,5	270	214	56	160	204	180	M6	110	105.5	153	172	-	147	103	128	125	7
CMP-820-4M/AL	322	377	223	345.5	277	68.5	200	247	230	M4	137.5	137	184	213	94.5	189	130	160	156	9

* Recommended nominal tube diameter

CJMP/AL-512...820

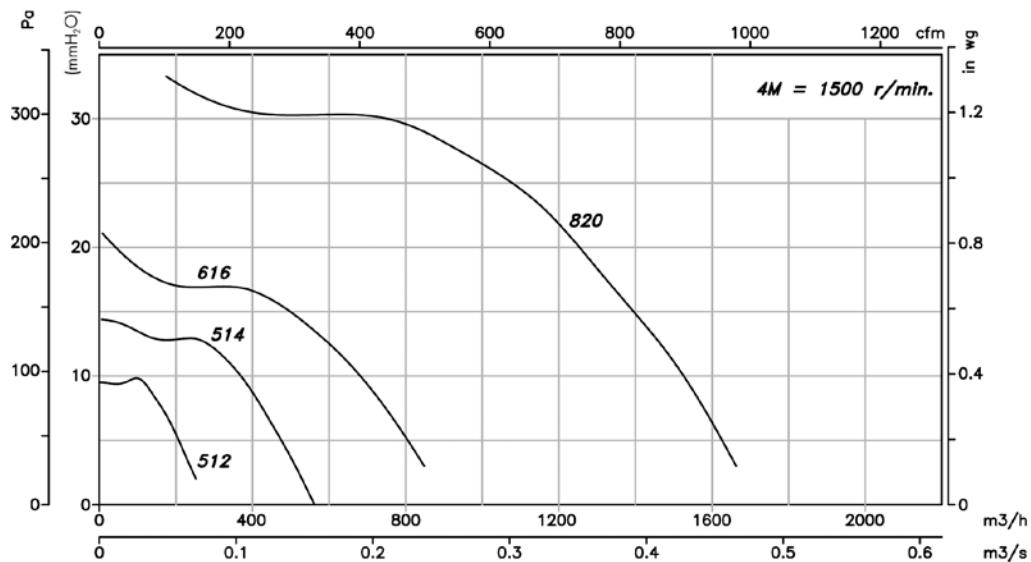


	A	B	C	øD1	øD2	E1	E2	F	G	H	I
CJMP/AL-512	330	250	280	100	100	53	59	85	159	75	90
CJMP/AL-514	330	270	320	125	125	53	58	104	190	82	100
CJMP/AL-616	370	300	370	135	135	53	52	114	217	100	110
CJMP/AL-820	450	400	450	135	195	53	51	142	267	112	130

Characteristic curves

Q= Flow rate in m³/h, m³/s and cfm

Pe= Static pressure in mm H₂O, Pa and inwg



CRL



Medium pressure, single inlet, centrifugal fans with backward-curved impeller.



Fan:

- Sheet steel casing.
- Impeller with reaction blades made of sheet steel.
- Maximum temperature of air to be carried: -20 °C +120 °C.

Finish:

- Anti-corrosive finish of polyester resin polymerised at 190 °C, previously degreased with phosphate-free nanotechnological treatment.

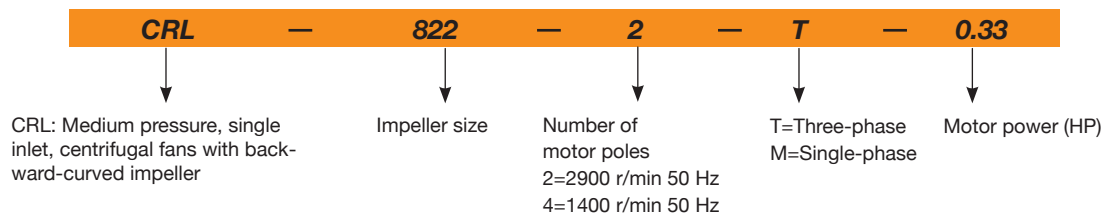
Motor:

- IE3 efficiency motors for powers equal to or greater than 0.75 kW except single-phase, 2-speed and 8-pole.
- Class F motors with ball bearings and IP55 protection.
- Three-phase 230/400 V - 50 Hz.

On request:

- 60 Hz models.
- Special windings for different voltages.
- Fan prepared for air transmission of up to 250 °C.
- Stainless steel fan.

Order code



Technical characteristics

Model	Speed (r/min)	Maximum admissible current (A)		Installed power (kW)	Maximum flow rate (m³/h)	Sound pressure level dB(A)	Approx. weight (kg)	According to ErP
		230 V	400 V					
CRL-822-2T-0.33	2760	1.24	0.71	0.25	1350	72	19	2015
CRL-925-2T-0.5	2830	1.56	0.90	0.37	1850	75	22	2015
CRL-1028-2T-0.75	2780	2.17	1.25	0.55	2600	77	29	2015
CRL-1031-2T-1.5 IE3	2830	4.03	2.32	1.10	3600	82	41	2015
CRL-1135-2T-3 IE3	2870	7.70	4.43	2.20	5230	71	59	2015
CRL-1240-2T-4 IE3	2910	10.00	5.77	3.00	7320	90	85	2015
CRL-1240-4T-1 IE3	1420	2.82	1.62	0.75	3630	74	66	2015
CRL-1445-4T-1.5 IE3	1455	4.07	2.34	1.10	6170	78	83	2015
CRL-1650-4T-2 IE3	1450	5.48	3.15	1.50	8500	81	106	2015
CRL-1856-4T-3 IE3	1435	7.93	4.56	2.20	12080	84	132	2015

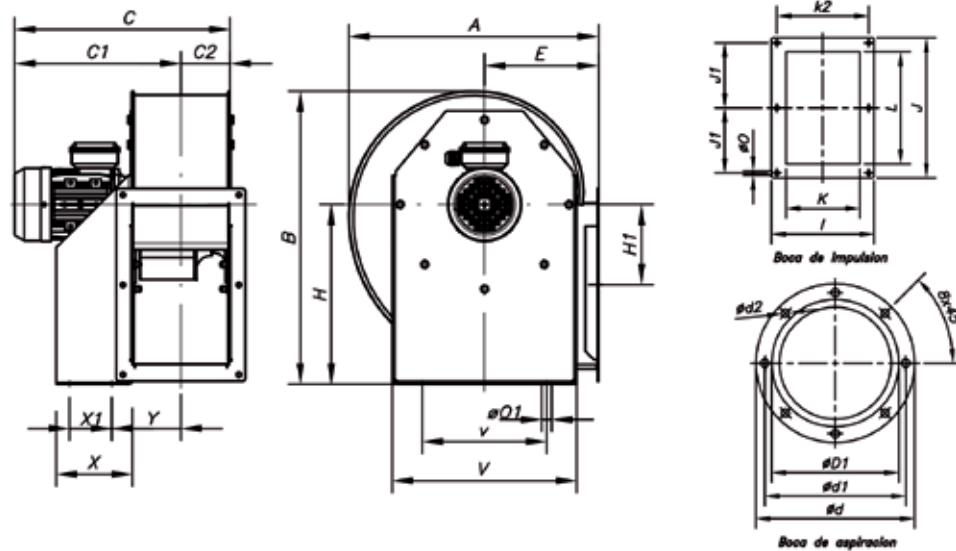
Acoustic characteristics

Noise power spectrum Lw(A) in dB(A) frequency band in [Hz]

Model	63	125	250	500	1000	2000	4000	8000	Model	63	125	250	500	1000	2000	4000	8000
CRL-822-2T-0.33	54	67	67	80	75	75	75	68	CRL-1240-2T-4 IE3	69	84	82	94	91	95	97	84
CRL-925-2T-0.5	58	71	71	84	79	79	79	72	CRL-1240-4T-1 IE3	57	71	77	80	80	81	71	60
CRL-1028-2T-0.75	59	72	72	85	80	80	80	73	CRL-1445-4T-1.5 IE3	60	73	79	84	81	84	79	65
CRL-1031-2T-1.5 IE3	65	78	78	91	86	86	86	79	CRL-1650-4T-2 IE3	67	77	85	87	86	88	79	69
CRL-1135-2T-3 IE3	57	64	62	74	72	78	77	64	CRL-1856-4T-3 IE3	68	77	90	86	89	90	84	70

Dimensions mm

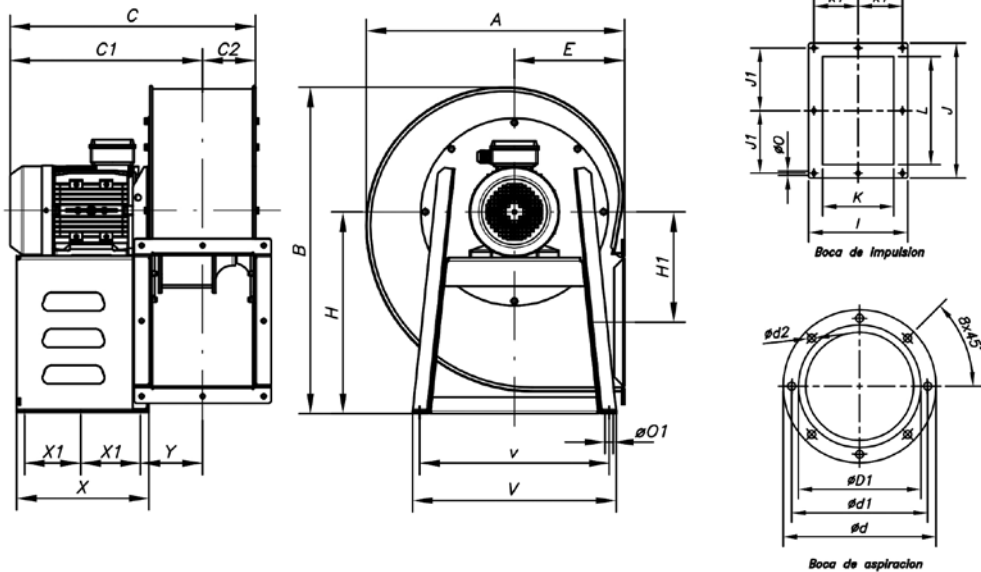
CRL-822-1028



	A	B	C	C1	C2	ØD1*	ød	Ød1	Ød2	E	H	H1	I	J	J1	K	K2	L	Ø0	Ø01	V	v	X	X1	Y
CRL-822-2T	388	455	342.5	270	71.5	224	278	256	M8	180	280	134	204	282.5	128	140	180	215	9.5	10.5	290	220	114	50	105
CRL-925-2T	427	500	390	306	85	250	305	282	M8	197	310	145	229	312.5	145	165	205	250	9.5	12.5	315	228	134	74	115
CRL-1028-2T	472	550	407	315	93	280	348	320	M8	215	340	152	244	364	170	180	220	296.5	9.5	12.5	350	245	144	95	120

*Recommended pipe nominal diameter

CRL-1031-1856



	A	B	C	C1	C2	ØD1*	ød	Ød1	Ød2	E	H	H1	I	J	J1	K	K1	K2	L	Ø0	Ø01	V	v	X	X1	Y
CRL-1031-2T	526	630	445	340	103.5	315	382	354	M8	238	390	180	264	382.5	180	200	--	240	320	11.5	12	430	400	200	155	130
CRL-1135-2T	573.5	715	500	382.5	118	355	422	394	M8	250	450	242.5	292	342.5	159	228	133	-	280	11.5	12	485	455	245	195	145
CRL-1240-2T	635	800	585	455	130	400	464	438	M8	270	495	270	336	404	185	250	150	-	321	11.5	12	500	460	300	133.5	125
CRL-1240-4T	635	800	500	368.5	130	400	464	438	M8	270	495	270	336	404	185	250	150	-	321	11.5	12	500	460	250	200	157
CRL-1445-4T	710	900	600	412	147	450	515	485	M8	300	560	305	370	444	202	284	164	-	361	11.5	12	575	550	275	215	180
CRL-1650-4T	797	990	590	427	162.5	500	565	535	M8	345	615	313	411	544	250	315	182.5	-	451	11.5	12	640	615	275	215	195
CRL-1856-4T	900	1100	510	505	182	560	625	610	M8	395	680	325	457	660	203	355	203.5	-	560	13	12	580	550	300	240	215

*Recommended pipe nominal diameter



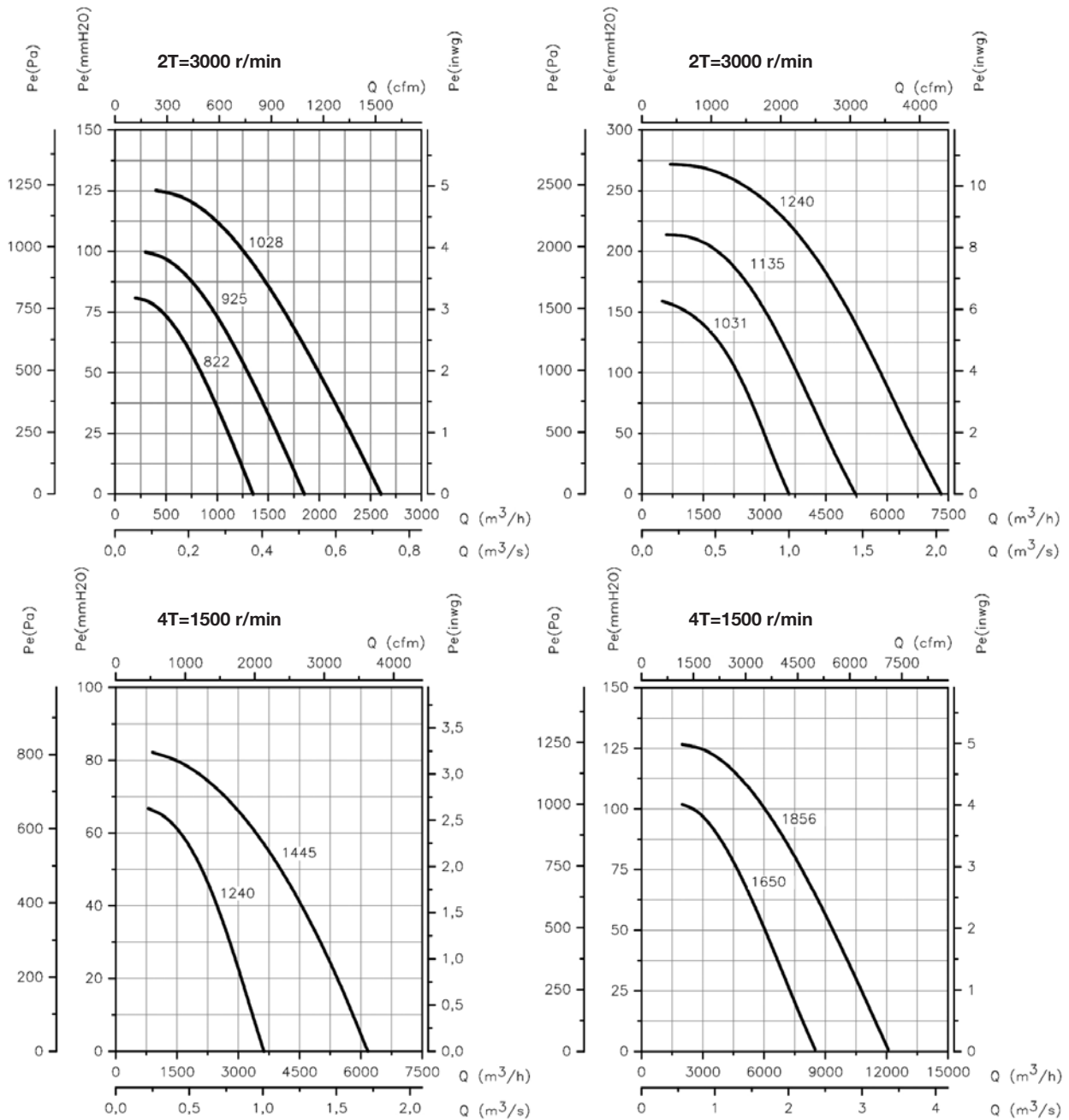
Erp. (Energy Related Products)

Information on Directive 2009/125/EC can be downloaded from the SODECA website or the QuickFan selector programme.

Characteristic curves

Q= Flow rate in m³/h, m³/s and cfm.

Pe= Static pressure in mm H₂O, Pa and inwg



Orientation

Standard supply LG 270
 Positions LG 180 and RD 180 on request with special anchoring measurements
 Models 822, 925, 1028 and 1031 do not admit positions LG 135 or RD 135



Accessories

See accessories section.



CMR



Extremely robust medium pressure, single inlet centrifugal fans fitted with backward-curved impellers.



Fan:

- Sheet steel casing.
- Impeller with reaction blades in extremely robust sheet steel.

Motor:

- IE3 efficiency motors for powers equal to or greater than 0.75 kW except single-phase, 2-speed and 8-pole.
- Class F motors with ball bearings and IP55 protection.
- Three-phase 230/400 V - 50 Hz (up to 4 kW) and 400/690 V - 50 Hz (powers higher than 4 kW).
- Maximum temperature of air to be carried: -20 °C +120 °C.

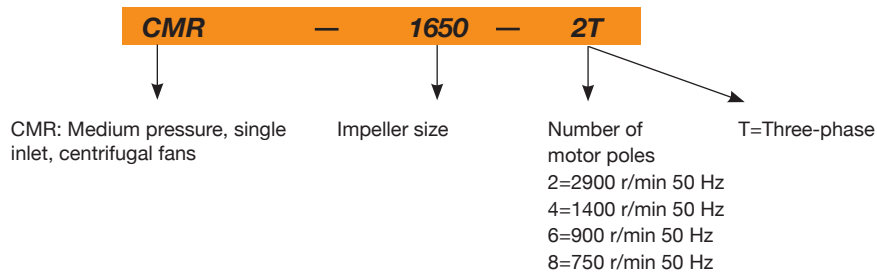
Finish:

- Anti-corrosive finish of polyester resin polymerised at 190 °C, previously degreased with phosphate-free nanotechnological treatment.

On request:

- Special windings for different voltages.
- Fan prepared for air transmission of up to 250 °C.
- Stainless steel fan.
- Category 2 ATEX certification (see CMR/ATEX series).

Order code



Technical characteristics

Model	Speed (r/min)	Maximum admissible current (A)			Installed power (kW)	Maximum flow rate (m ³ /h)	Sound pressure level dB(A)	Approx. weight (kg)	According to ErP
		230 V	400 V	690 V					
CMR-1031-2T IE3	2875	5.34	3.07		1.50	5160	80	48	2015
CMR-1135-2T IE3	2910	7.32	4.21		2.20	7800	83	59	2015
CMR-1240-2T IE3	2900	13.00	7.50		4.00	11100	86	103	2015
CMR-1240-4T IE3	1420	2.82	1.62		0.75	5800	71	72	2015
CMR-1445-2T IE3	2930		14.10	8.17	7.50	16500	87	122	2015
CMR-1445-4T IE3	1455	4.07	2.34		1.10	8030	72	97	2015
CMR-1650-2T IE3	2945		20.00	11.60	11.00	18850	89	210	2015
CMR-1650-4T IE3	1440	5.41	3.11		1.50	10500	74	122	2015
CMR-1650-6T IE3	940	3.36	1.93		0.75	7410	64	117	2015
CMR-1856-4T IE3	1440	10.70	6.15		3.00	15150	79	157	2015
CMR-1856-6T IE3	945	4.68	2.69		1.10	10050	70	152	2015
CMR-2063-4T IE3	1465		10.30	5.97	5.50	24450	80	249	2015
CMR-2063-6T IE3	950	6.43	3.70		1.50	16100	71	212	2015
CMR-2063-8T	705	5.63	3.25		1.10	11600	65	211	2015
CMR-2271-4T IE3	1470		20.90	12.10	11.00	34610	85	340	2015
CMR-2271-6T IE3	970	12.00	6.91		3.00	22750	76	294	2015
CMR-2271-8T	705	7.10	4.10		1.50	17360	69	276	2015
CMR-2380-4T IE3	1470		41.00	23.80	22.00	48000	83	431	2015

CENTRIFUGAL FANS AND IN-LINE DUCT EXTRACTOR FANS

Technical characteristics

Model	Speed (r/min)	Maximum admissible current (A)			Installed power (kW)	Maximum flow rate (m³/h)	Sound pressure level dB(A)	Approx. weight (kg)	According to ErP
		230 V	400 V	690 V					
CMR-2380-6T IE3	975		14.80	8.58	7.50	30000	75	398	2015
CMR-2380-8T	705	12.82	7.40		3.00	22000	66	317	2015
CMR-2590-4T IE3	1480		66.80	38.70	37.00	54000	86	576	2015
CMR-2590-6T IE3	975		21.90	12.70	11.00	34000	76	400	2015
CMR-28100-4T IE3	1480		98.60	57.20	55.00	75000	87	618	2015
CMR-28100-6T IE3	980		35.90	20.80	18.50	48000	77	561	2015



Erp. (Energy Related Products)

Information on Directive 2009/125/EC can be downloaded from the SODECA website or the QuickFan selector programme.

Acoustic characteristics

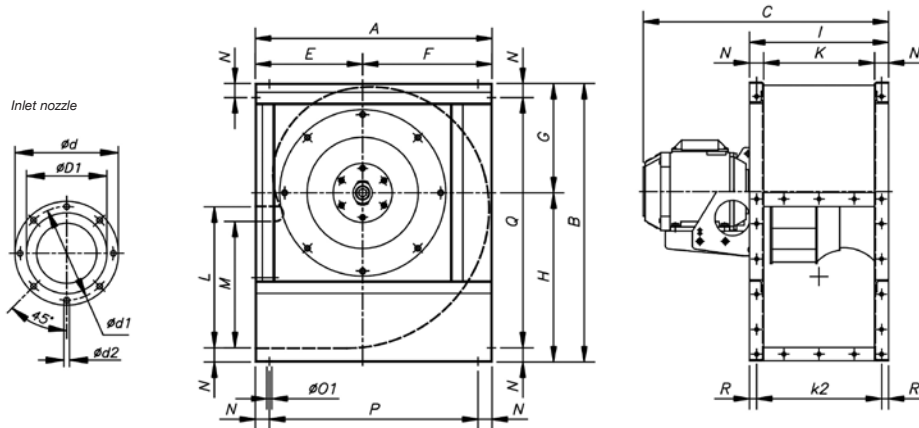
The indicated values are determined by measuring the sound pressure level and sound power in dB(A) obtained in a free field at a distance equivalent to twice the size of the fan plus the impeller diameter, with a minimum of 1.5 m.

Sound power spectrum Lw(A) in dB(A) per Hz frequency band

Model	63	125	250	500	1000	2000	4000	8000	Model	63	125	250	500	1000	2000	4000	8000
1031-2	65	78	78	91	86	86	86	79	2063-6	69	70	82	82	81	83	73	63
1135-2	72	79	77	89	87	93	92	79	2063-8	64	70	77	76	77	74	66	57
1240-2	68	83	81	93	90	94	96	83	2271-4	83	84	93	96	98	99	95	82
1240-4	56	70	76	79	79	80	70	59	2271-6	73	73	87	86	90	90	79	68
1445-2	73	85	83	95	93	97	99	89	2271-8	68	73	78	85	81	80	70	59
1445-4	59	72	78	83	80	83	78	64	2380-4	76	78	94	91	96	97	93	82
1650-2	73	81	85	99	97	99	99	88	2380-6	68	70	86	83	88	89	85	74
1650-4	64	74	82	84	83	85	76	66	2380-8	59	61	77	74	79	80	76	65
1650-6	53	65	72	77	73	69	62	54	2590-4	79	84	97	100	96	89	84	66
1856-4	69	78	91	87	90	91	85	71	2590-6	70	79	89	88	85	84	74	68
1856-6	61	69	81	83	80	81	71	60	28100-4	82	89	101	102	97	93	87	78
2063-4	80	85	91	93	91	88	81	73	28100-6	73	82	91	90	88	86	77	70

Dimensions mm

CMR-1031...2271

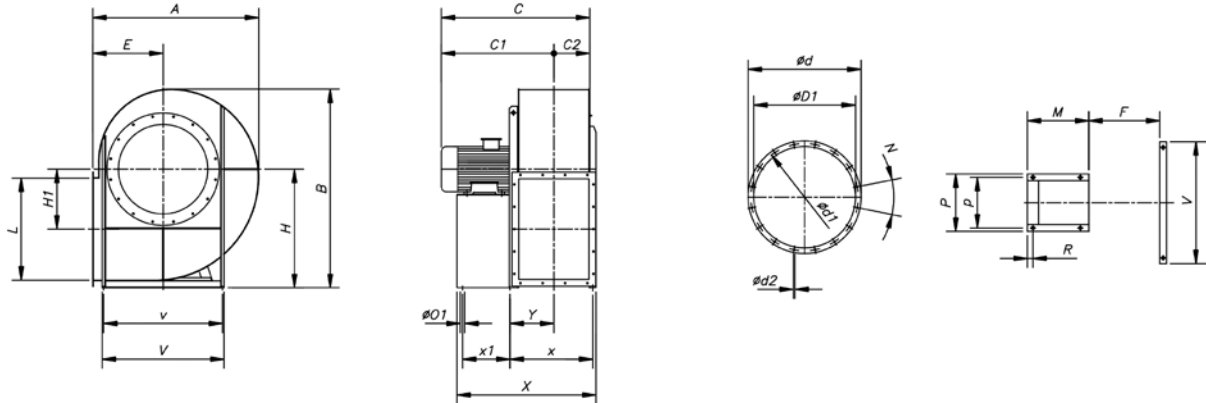


	A	B	C	øD1*	ød	ød1	ød2	E	F	G	H	I	K	k2	L	M	N	øO1	P	Q	R
CMR-1031-2T	542	626	573.5	315	383	356	M8	250	292	245	381	320	250	285	315	276	35	11	472	556	17.5
CMR-1135-2T	600	696	656	355	425	398	M8	275	325	273	423	350	280	315	355	310	35	11	530	626	17.5
CMR-1240-2T	673	790	728	400	472	444	M10	305	368	310	480	395	315	355	400	358	40	11	593	710	20
CMR-1240-4T	673	790	590	400	472	444	M10	305	368	310	480	395	315	355	400	358	40	11	593	710	20
CMR-1445-2T	765	880	810	450	522	494	M10	350	415	339	541	445	355	403	450	404	45	11	675	790	21
CMR-1445-4T	765	880	649	450	522	494	M10	350	415	339	541	445	355	403	450	404	45	11	675	790	21
CMR-1650-2T	832	970	961	500	582	555	M10	375	457	378	592	490	400	450	500	445	45	13	742	880	20
CMR-1650-4T	832	970	715	500	582	555	M10	375	457	378	592	490	400	450	500	445	45	13	742	880	20
CMR-1650-6T	832	970	695	500	582	555	M10	375	457	378	592	490	400	450	500	445	45	13	742	880	20
CMR-1856-4T	925	1084	832	560	645	615	M10	415	510	426	658	550	450	500	560	493	50	13	825	984	25
CMR-1856-6T	925	1084	771	560	645	615	M10	415	510	426	658	550	450	500	560	493	50	13	825	984	25
CMR-2063-4T	1037	1218	973	630	720	688	M10	465	572	477	741	620	500	560	630	530	60	13	917	1098	30
CMR-2063-6T	1037	1218	893	630	720	688	M10	465	572	477	741	620	500	560	630	530	60	13	917	1098	30
CMR-2063-8T	1037	1218	893	630	720	688	M10	465	572	477	741	620	500	560	630	530	60	13	917	1098	30
CMR-2271-4T	1173	1375	1126	710	800	768	M12	525	648	538	837	690	560	625	710	603	65	13	1043	1245	32.5
CMR-2271-6T	1173	1375	1039	710	800	768	M12	525	648	538	837	690	560	625	710	603	65	13	1043	1245	32.5
CMR-2271-8T	1173	1375	1002	710	800	768	M12	525	648	538	837	690	560	625	710	603	65	13	1043	1245	32.5

* Recommended nominal tube diameter

Dimensions mm

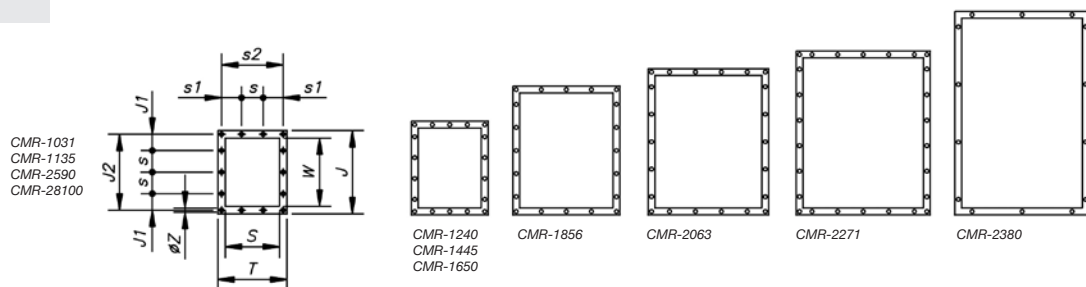
CMR-2380...28100



	A	B	C	C1	C2	ØD1	Ød	Ød1	Ød2	E	H	H1	L	F	M	R	N	ØO1	P
CMR-2380-4T	1312	1592	1174	882	292	805	920	861	14	560	950	482	808	574	543	39	16x22°30'	19	926
CMR-2380-6T	1312	1592	1055	763	292	805	920	861	14	560	950	482	808	574	474	39	16x22°30'	19	926
CMR-2380-8T	1312	1592	1055	763	292	805	920	861	14	560	950	482	808	574	365	39	16x22°30'	19	926
CMR-2590-4T	1472	1777	1390	1063	327	905	1015	958	14	630	1060	543	905	643	540	39	16x22°30'	19	1026
CMR-2590-6T	1472	1777	1243	916	327	905	1015	958	14	630	1060	543	905	643	540	39	16x22°30'	19	1026
CMR-28100-4T	1657	1987	1647	1284	363	1007	1115	1067	15	710	1180	610	1014	721	690	45	24x15°	19	1128
CMR-28100-6T	1657	1987	1380	1017	363	1007	1115	1067	15	710	1180	610	1014	721	500	45	24x15°	19	1128

	p	V	v	X	x	x1	Y
CMR-2380-4T	862	965	862	1184	675	441	353
CMR-2380-6T	862	965	862	1115	675	372	353
CMR-2380-8T	862	965	862	1006	675	263	353
CMR-2590-4T	962	1095	962	1270	738	441	384
CMR-2590-6T	962	1095	962	1270	738	441	384
CMR-28100-4T	1056	1225	1056	1491	816	590	415
CMR-28100-6T	1056	1225	1056	1301	816	400	415

Outlet nozzle

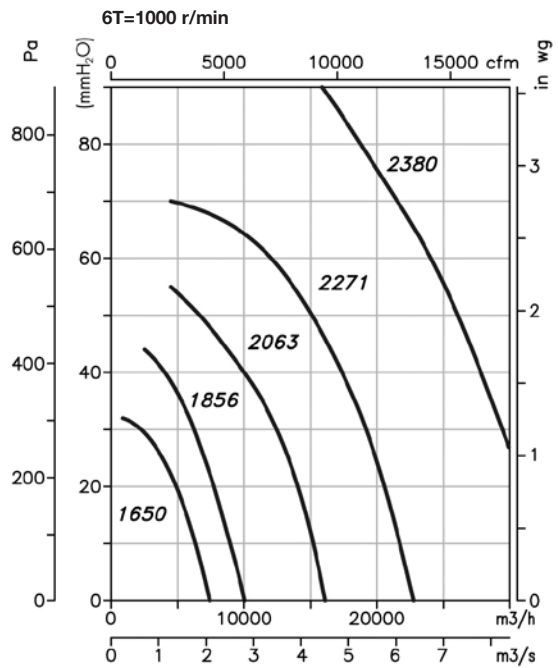
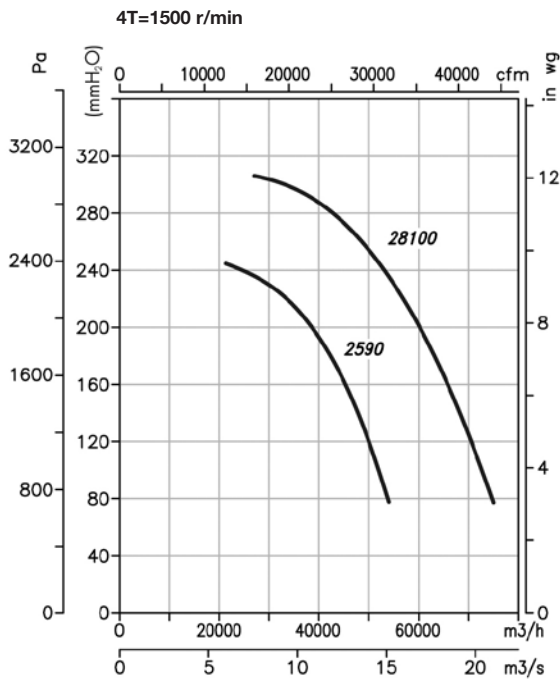
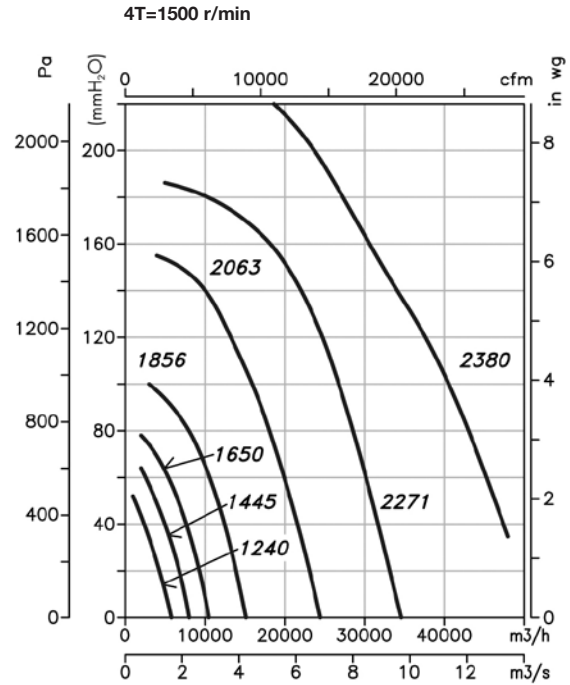
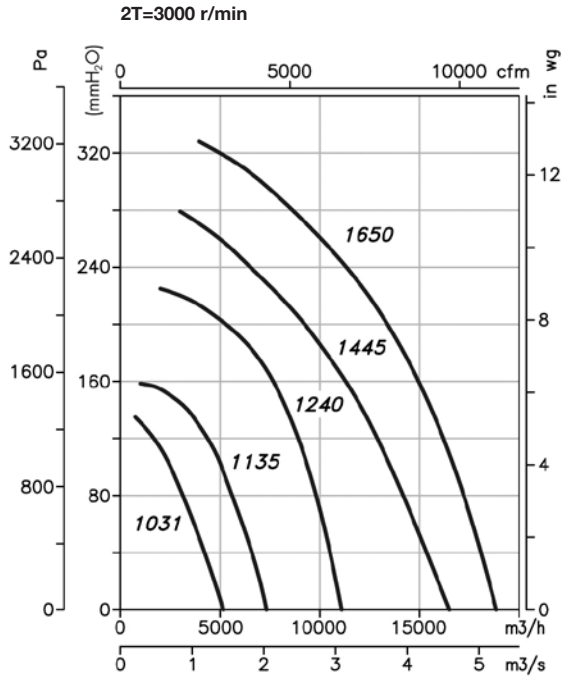


	T	J	J1	J2	S	s	s1	s2	W	Øz
CMR-1031	320	385	75	350	250	100	92.5	285	315	9
CMR-1135	350	425	95	390	280	100	107.5	315	355	9
CMR-1240	395	480	70	440	315	100	77.5	355	400	11
CMR-1445	445	540	99	498	355	100	102.5	403	450	11
CMR-1650	490	590	88	550	400	125	100	450	500	11
CMR-1856	550	660	55	610	450	125	125	500	560	13
CMR-2063	620	750	95	690	500	125	92.5	560	630	13
CMR-2271	690	840	75	775	560	125	62.5	625	710	13
CMR-2380	689	921	135	871	574	200	119	639	808	14
CMR-2590	758	1018	84	968	643	200	54	708	905	14
CMR-28100	835	1127	138	1077	721	200	92	785	1014	14

Characteristic curves

Q= Flow rate in m³/h, m³/s and cfm

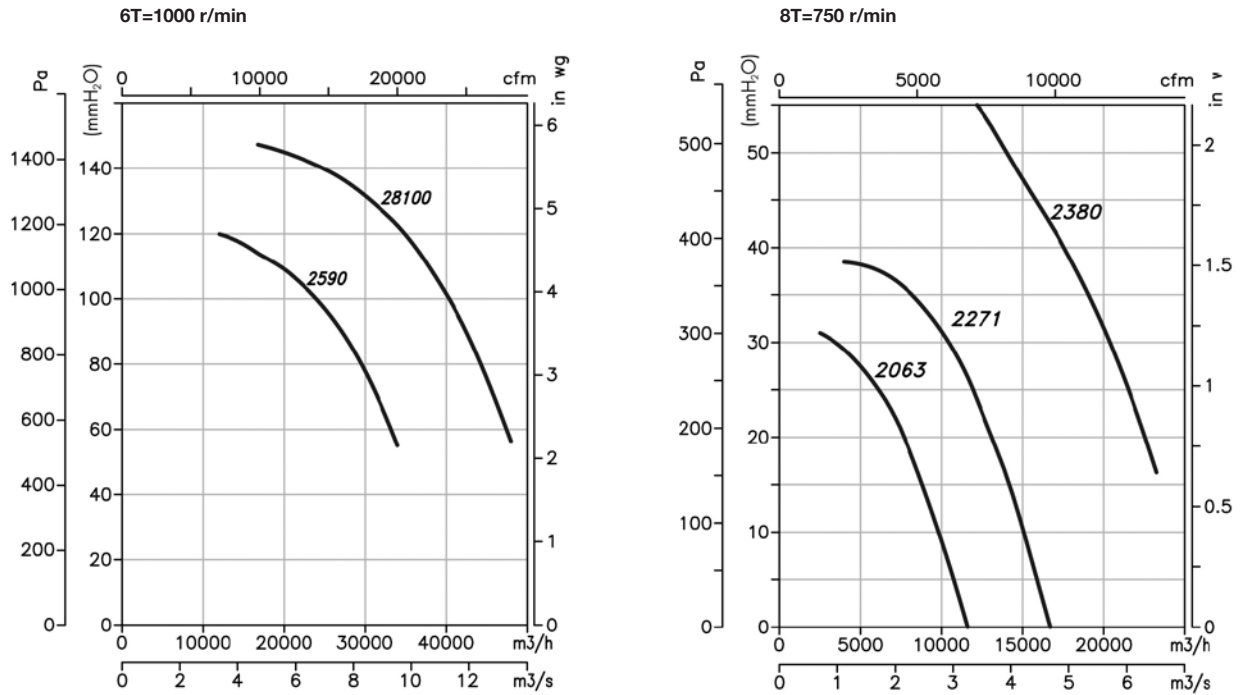
Pe= Static pressure in mm H₂O, Pa and in wg



Characteristic curves

Q= Flow rate in m³/h, m³/s and cfm

Pe= Static pressure in mm H₂O, Pa and inwg



Orientation

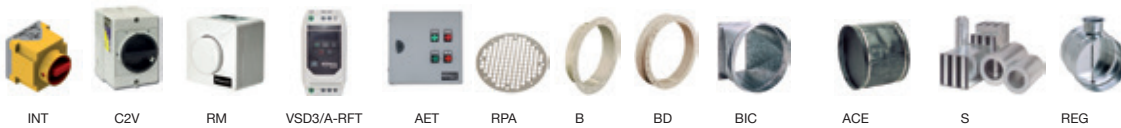
Standard supply LG 270

Models 2380, 2590 and 28100 with LG 270 fixed orientation (other orientations only on request)



Accessories

See accessories section.



CBP CBPC



CBP: Medium pressure, single inlet centrifugal fans fitted with backward-curved impeller with a self-cleaning effect, specially designed for paint booths.

CBPC: Medium pressure, single inlet centrifugal fans fitted with backward-curved impeller with a self-cleaning effect, specially designed for paint booths, with vertical outlets.



Fan:

- Sheet steel casing.
- Impeller with reaction blades made of sheet steel.
- Inspection hatch.
- CBPC: with vertical outlet.

Finish:

- Anti-corrosive finish of polyester resin polymerised at 190 °C, previously degreased with phosphate-free nanotechnological treatment.

Motor:

- IE3 efficiency motors for powers equal to or greater than 0.75 kW except single-phase, 2-speed and 8-pole.
- Class F motors with ball bearings and IP55 protection.
- Three-phase 230/400 V - 50 Hz (up to 4 kW).
- Maximum temperature of air to be carried: -20 °C +120 °C.

On request:

- Special windings for different voltages.
- ATEX-certified Category 2.



High performance, extremely robust reaction impeller

Order code



CBP: Centrifugal fans for paint booths

Impeller size

Number of motor poles
4=1400 r/min 50 Hz

T=Three-phase

Motor power (HP)

CBPC: Centrifugal fans with vertical outlets for paint booths

Technical characteristics

Model	Speed (r/min)	Maximum admissible current (A)		Installed power (kW)	Maximum flow rate (m³/h)	Sound pressure level dB(A)	Approx. weight (kg)		According to ErP
		230 V	400 V				CBP	CBPC	
CBP CBPC 1445-4T IE3	1455	4.07	2.34	1.10	8200	73	66	79	2015
CBP CBPC 1650-4T-2 IE3	1440	5.41	3.11	1.50	11050	76	87	103	2015
CBP CBPC 1650-4T-3 IE3	1435	7.93	4.56	2.20	13500	78	93	101	2015
CBP CBPC 1556-4T IE3	1440	10.70	6.15	3.00	14000	80	127	154	2015
CBP CBPC 1856-4T-4 IE3	1440	10.70	6.15	3.00	16100	80	127	154	2015
CBP CBPC 1856-4T-5.5 IE3	1450	13.90	8.00	4.00	17200	82	130	157	2015



Erp. (Energy Related Products)

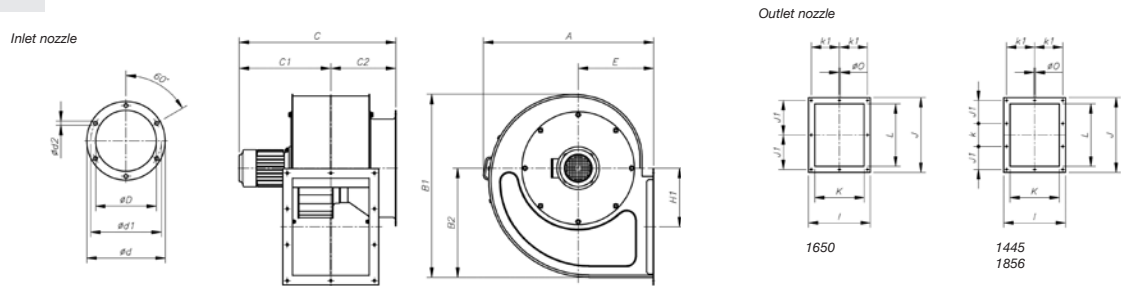
Information on Directive 2009/125/EC can be downloaded from the SODECA website or the QuickFan selector programme.

Acoustic characteristics

Model	Sound power spectrum Lw(A) in dB(A) per Hz frequency band																
	63	125	250	500	1000	2000	4000	8000	Modelo	63	125	250	500	1000	2000	4000	8000
CBP-1445	60	73	79	84	81	84	79	65	CBPC-1445	60	73	79	84	81	84	79	65
CBP-1650	66	76	84	86	85	87	78	68	CBPC-1650	66	76	84	86	85	87	78	68
CBP-1556	68	77	90	86	89	90	84	70	CBPC-1556	68	77	90	86	89	90	84	70
CBP-1856	70	79	92	88	91	92	86	72	CBPC-1856	70	79	92	88	91	92	86	72

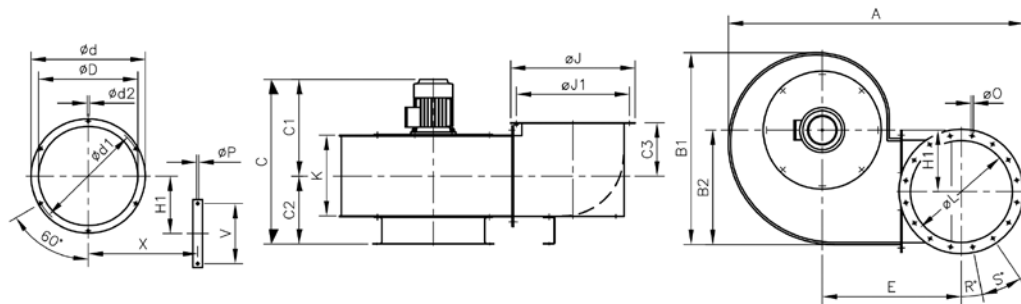
Dimensions mm

CBP



	A	B1	B2	C	C1	C2	øD	ød	ød1	ød2	E	H1	I	J	J1	K	k	k1	L	øO
CBP-1445-4T	789	847	505	727	425	302	450	534	500	12	350	271	445	538	166	355	166	202.5	450	11
CBP-1650-4T	856	932	555	850	485	365	512	590	565	12	375	297	490	590	275	400	-	225	500	13
CBP-1556-4T	947	1041	617	915	567	348	560	634	610	12	415	328	550	660	203	450	203	250	560	13
CBP-1856-4T	947	1041	617	915	567	348	560	634	610	12	415	328	550	660	203	450	203	250	560	13

CBPC

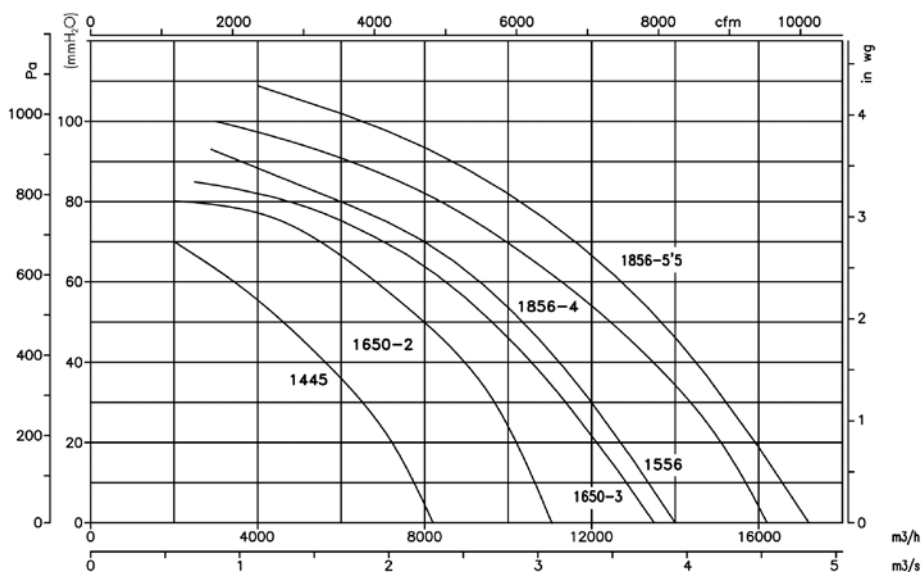


	A	B1	B2	C	C1	C2	C3	øD	ød	ød1	ød2	E	H1	øJ	øJ1	K	øL	øO	R°	S°	øP	V	X
CBPC-1445-4T	1307	847	505	728	426	302	236	450	534	500	12	617	271	550	500	361	450	M8	-	8x45°	11	260	512
CBPC-1650-4T	1428	932	555	851	486	365	256	512	590	565	12	672	297	600	560	404	500	M8	15°	12x30°	11	310	567
CBPC-1556-4T	1580	1041	617	916	568	348	296	560	634	610	12	732	328	680	629	456	560	M12	11°15'	16x22°30'	11	360	622
CBPC-1856-4T	1580	1041	617	916	568	348	296	560	634	610	12	732	328	680	629	456	560	M12	11°15'	16x22°30'	11	360	622

Characteristic curves

Q= Flow rate in m³/h, m³/s and cfm

Pe= Static pressure in mm H₂O, Pa and inwg



Orientation

Standard supply LG 270



LG 270



RD 270

Accessories

See accessories section.



INT



C2V



RM



VSD3/A-RFT



AET



RPA



BIC

CAS CAS-S



CAS: High pressure, single inlet centrifugal fans with sheet steel casing and impeller.

CAS-S: High pressure, single inlet centrifugal fans with sheet steel casing and impeller, fitted with acoustic attenuators.



Fan:

- Sheet steel casing.
- Backward-curved impeller made of galvanised sheet steel, except models 242-248-254-260-640-645-650 with cast aluminium impeller.
- CAS-S: Hexagonal profile acoustic attenuator built into the fan inlet nozzle. Its design permits the adjustment of the air flow at the fan entrance.

Motor:

- IE3 efficiency motors for powers equal to or greater than 0.75 kW except single-phase, 2-speed and 8-pole.
- Class F motors with ball bearings and IP55 protection.
- Three-phase 230/400 V - 50 Hz (up to 4 kW) and 400/690 V - 50 Hz (powers higher than 4 kW).
- Maximum temperature of air to be carried: -20 °C +120 °C.

Finish:

- Anti-corrosive finish of polyester resin polymerised at 190 °C, previously degreased with phosphate-free nanotechnological treatment.

On request:

- Special windings for different voltages.

Fan prepared for air transmission of up to 250 °C

- Stainless steel fan.
- ATEX-certified Category 2.



Extremely robust motor support bench

Order code



CAS: High pressure, single inlet centrifugal fans

Impeller size

Number of motor poles
2=2900 r/min 50 Hz

T=Three-phase

Motor power (HP)

CAS-S: High pressure, single inlet, centrifugal fans fitted with acoustic attenuators

Technical characteristics

Model	Speed (r/min)	Maximum admissible current (A)			Installed power (kW)	Maximum flow rate (m³/h)	Sound pressure level dB(A)		Approx. weight (kg)		According to ErP
		230 V	400 V	690 V			CAS	CAS-S	CAS	CAS-S	
CAS CAS-S 242-2T-0.33	2710	1.29	0.75	0.25	450	73	67	30	33	2015	
CAS CAS-S 242-2T-0.5	2710	1.92	1.11	0.37	650	73	67	31	34	2015	
CAS CAS-S 248-2T-0.75	2760	2.57	1.49	0.55	420	74	68	44	47	2015	
CAS CAS-S 248-2T-1 IE3	2825	2.80	1.62	0.75	500	75	69	50	53	2015	
CAS CAS-S 248-2T-1.5 IE3	2830	4.03	2.34	1.10	990	76	70	48	51	2015	
CAS CAS-S 254-2T-1.5 IE3	2830	4.03	2.34	1.10	600	76	70	58	61	2015	
CAS CAS-S 254-2T-2 IE3	2875	5.34	3.07	1.50	800	78	72	65	68	2015	
CAS CAS-S 254-2T-3 IE3	2910	7.32	4.21	2.20	1300	80	73	68	71	2015	
CAS CAS-S 260-2T-2 IE3	2875	5.34	3.07	1.50	500	77	71	79	84	*	
CAS CAS-S 260-2T-3 IE3	2910	7.32	4.21	2.20	900	79	72	83	88	2015	
CAS CAS-S 463-2T-5.5 IE3	2900	13.00	7.50	4.00	1150	82	75	98	103	2015	

Technical characteristics

Model	Speed (r/min)	Maximum admissible current (A)			Installed power (kW)	Maximum flow rate (m³/h)	Sound pressure level dB(A)		Approx. weight (kg)		According to ErP
		230 V	400 V	690 V			CAS	CAS-S	CAS	CAS-S	
CAS CAS-S 463-2T-7.5 IE3	2930		10.10	5.86	5.50	2000	83	76	119	124	2015
CAS CAS-S 467-2T-7.5 IE3	2930		10.10	5.86	5.50	1550	84	77	141	146	2015
CAS CAS-S 467-2T-10 IE3	2930		14.10	8.17	7.50	2600	85	78	119	124	2015
CAS CAS-S 571-2T-10 IE3	2930		14.10	8.17	7.50	2000	86	78	140	145	2015
CAS CAS-S 571-2T-15 IE3	2945		20.00	11.60	11.00	3450	87	79	207	212	2015
CAS CAS-S 640-2T-2 IE3	2875	5.34	3.07		1.50	2600	77	71	55	60	2015
CAS CAS-S 645-2T-3 IE3	2910	7.32	4.21		2.20	2000	76	70	67	75	2015
CAS CAS-S 645-2T-4 IE3	2910	10.00	5.77		3.00	3000	81	74	73	81	2015
CAS CAS-S 650-2T-5.5 IE3	2900	13.00	7.50		4.00	3500	81	74	98	106	2015
CAS CAS-S 650-2T-7.5 IE3	2930		10.10	5.86	5.50	4750	83	76	119	127	2015
CAS CAS-S 852-2T-7.5 IE3	2930		10.10	5.86	5.50	3500	81	74	119	127	2015
CAS CAS-S 852-2T-10 IE3	2930		14.10	8.17	7.50	5500	85	78	97	105	2015
CAS CAS-S 856-2T-15 IE3	2945		20.00	11.60	11.00	7500	85	78	190	200	2015
CAS CAS-S 863-2T-15 IE3	2945		20.00	11.60	11.00	4000	84	77	200	210	2015
CAS CAS-S 863-2T-20 IE3	2945		27.70	16.10	15.00	7000	86	78	203	213	2015
CAS CAS-S 971-2T-25 IE3	2945		33.90	19.70	18.50	5800	87	79	316	326	2015
CAS CAS-S 971-2T-30 IE3	2950		39.70	23.00	22.00	8100	88	80	324	334	2015
CAS CAS-S 971-2T-40 IE3	2960		54.50	31.60	30.00	12000	89	81	410	420	2015
CAS CAS-S 1250-2T-15/A IE3	2945		20.00	11.60	11.00	12000	84	77	252	262	2015
CAS CAS-S 1456-2T-25/A IE3	2945		33.90	19.70	18.50	18000	87	79	303	316	2015
CAS CAS-S 1663-2T-50/A IE3	2960		67.80	39.30	37.00	25000	92	84	420	433	2015
CAS CAS-S 1671-2T-60/A IE3	2960		77.50	44.90	45.00	27000	93	85	665	680	2015
CAS CAS-S 2071-2T-100/A IE3	2975		130.00	75.40	75.00	33600	95	86	890	910	2015
CAS CAS-S 2080-2T-125/A IE3	2975		153.00	88.70	90.00	42600	96	87	970	990	2015
CAS CAS-S 790-2T-20 IE3	2945		27.70	16.10	15.00	2100	88	80	269	274	Excluded
CAS CAS-S 980-2T-30 IE3	2950		39.70	23.00	22.00	4800	87	79	340	355	2015
CAS CAS-S 990-2T-50 IE3	2960		67.80	39.30	37.00	6000	90	82	480	495	Excluded
CAS CAS-S 1080-2T-40 IE3	2960		54.50	31.60	30.00	5400	88	80	450	465	Excluded
CAS CAS-S 1090-2T-60 IE3	2960		77.50	44.90	45.00	6000	91	83	620	635	Excluded

* Equipment not covered by Directive 2009/125/EC



Erp. (Energy Related Products)

Information on Directive 2009/125/EC can be downloaded from the SODECA website or the QuickFan selector programme.

Acoustic characteristics

Sound power spectrum Lw(A) in dB(A) per Hz frequency band

CAS	Sound power spectrum Lw(A) in dB(A) per Hz frequency band								Sound power spectrum Lw(A) in dB(A) per Hz frequency band								
	63	125	250	500	1000	2000	4000	8000	63	125	250	500	1000	2000	4000	8000	
242	50	61	67	76	83	82	79	72	852-7.5	68	72	82	88	92	92	89	84
248-0.75	51	62	68	77	84	83	80	73	852-10	68	76	86	93	96	96	92	84
248-1	52	63	69	78	85	84	81	74	856	63	76	90	96	96	94	90	84
248-1.5	53	64	70	79	86	85	82	75	863-15	67	81	87	96	96	95	92	87
254-1.5	55	66	71	81	88	87	84	77	863-20	69	81	92	99	98	95	93	87
254-2	57	68	73	83	90	89	86	79	971-25	67	81	90	102	98	96	93	89
254-3	56	68	76	85	90	92	89	82	971-30	68	82	91	103	99	97	94	90
260-2	53	69	69	83	88	88	85	78	971-40	68	83	97	102	102	99	95	88
260-3	55	71	71	85	90	90	87	80	1250	75	88	97	94	91	86	82	73
463-5.5	57	69	82	91	93	93	89	80	1456	80	93	102	99	96	90	87	78
463-7.5	58	70	83	92	94	94	90	81	1663	65	74	80	95	108	100	97	93
467-7.5	69	74	83	95	95	97	93	85	1671	64	73	79	94	108	100	97	93
467-10	70	75	84	96	96	98	94	86	2071	66	75	81	96	110	102	99	95
571-10	64	76	86	96	99	99	94	86	2080	67	76	82	97	111	103	100	96
571-15	65	77	87	97	100	100	95	87	790	73	77	88	99	105	96	89	83
640	56	67	75	82	88	84	83	76	980	61	70	76	91	105	97	94	90
645-3	55	66	74	81	87	83	82	75	990	64	73	79	94	108	100	97	93
645-4	55	66	77	86	90	91	87	79	1080	62	71	77	92	106	98	95	91
650-5.5	59	75	84	90	93	90	85	78	1090	65	77	80	95	109	101	98	94
650-7.5	52	68	81	91	96	93	85	78									

CENTRIFUGAL FANS AND IN-LINE DUCT EXTRACTOR FANS

Acoustic characteristics

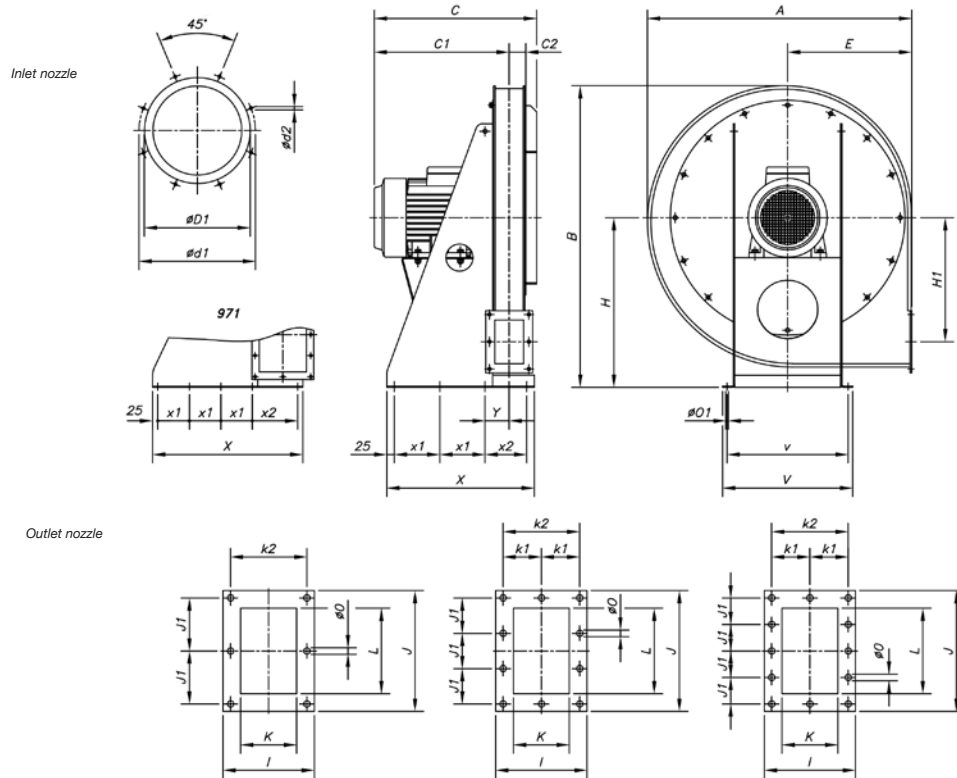
CAS-S

Sound power spectrum Lw(A) in dB(A) per Hz frequency band

	63	125	250	500	1000	2000	4000	8000		63	125	250	500	1000	2000	4000	8000
242	44	55	61	70	77	76	73	66	852-7.5	61	65	75	81	85	85	82	77
248-0.75	45	56	62	71	78	77	74	67	852-10	61	69	79	86	89	89	85	77
248-1	46	57	63	72	79	78	75	68	856	56	69	83	89	89	87	83	77
248-1.5	47	58	64	73	80	79	76	69	863-15	60	74	80	89	89	88	85	80
254-1.5	49	60	65	75	82	81	78	71	863-20	61	73	84	91	90	87	85	79
254-2	51	62	67	77	84	83	80	73	971-25	59	73	82	94	90	88	85	81
254-3	49	61	69	78	83	85	82	75	971-30	60	74	83	95	91	89	86	82
260-2	47	63	63	77	82	82	79	72	971-40	60	75	89	94	94	91	87	80
260-3	48	64	64	78	83	83	80	73	1250	68	81	90	87	84	79	75	66
463-5.5	50	62	75	84	86	86	82	73	1456	72	85	94	91	88	82	79	70
463-7.5	51	63	76	85	87	87	83	74	1663	57	66	72	87	100	92	89	85
467-7.5	62	67	76	88	88	90	86	78	1671	56	65	71	86	100	92	89	85
467-10	63	68	77	89	89	91	87	79	2071	57	66	72	87	101	93	90	86
571-10	56	68	78	88	91	91	86	78	2080	58	67	73	88	102	94	91	87
571-15	57	69	79	89	92	92	87	79	790	65	69	80	91	97	88	81	75
640	50	61	69	76	82	78	77	70	980	53	62	68	83	97	89	86	82
645-3	49	60	68	75	81	77	76	69	990	56	65	71	86	100	92	89	85
645-4	48	59	70	79	83	84	80	72	1080	54	63	69	84	98	90	87	83
650-5.5	52	68	77	83	86	83	78	71	1090	57	66	72	87	101	93	90	86
650-7.5	45	61	74	84	89	86	78	71									

Dimensions mm

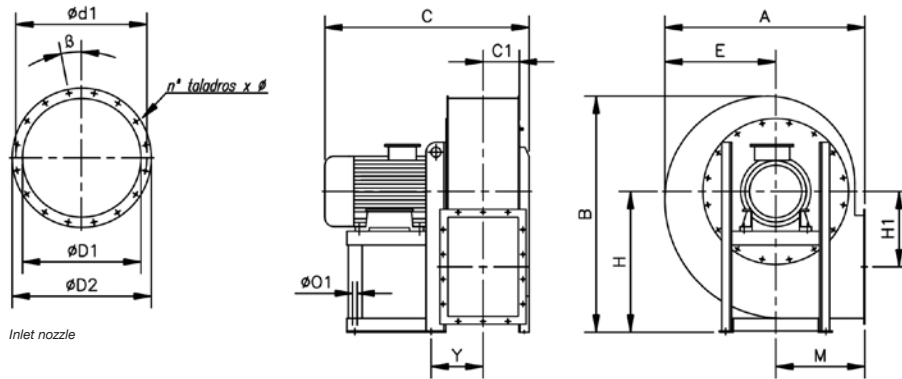
CAS-242...971



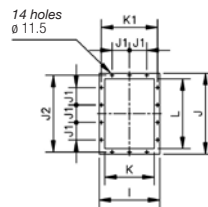
	A	B	C	C1	C2	øD1	ød1	ød2	E	H	H1	I	J	J1	K	k1	k2	L	øO	øO1	V	v	X	x1	x2	Y
CAS-242-2T-0.33	576	662	299	236	33	100	130	M8	270	375	270	120	155	65	60	-	95	95	11	12	305	275	260	75	-	61
CAS-242-2T-0.5	576	662	319	256	33	100	130	M8	270	375	270	120	155	65	60	-	95	95	11	12	305	275	260	75	-	61
CAS-248-2T-0.75	639	728	335	269	36	112	140	M8	300	410	297	126	165	70	66	-	101	105	11	12	320	290	300	90	-	64
CAS-248-2T-1/1.5	639	728	343	277	36	112	140	M8	300	410	297	126	165	70	66	-	101	105	11	12	320	290	300	90	-	64
CAS-254-2T-1.5	699	788	369	298.5	40.5	125	155	M8	330	440	322	135	175	75	75	-	110	115	11	14	340	310	330	100	-	68.5
CAS-254-2T-2	699	788	413	342.5	40.5	125	155	M8	330	440	322	135	175	75	75	-	110	115	11	14	340	310	330	100	-	68.5
CAS-254-2T-3	699	788	413	342.5	40.5	125	155	M8	330	440	322	135	175	75	75	-	110	115	11	14	340	310	330	100	-	68.5
CAS-260-2T-2/3	782	875	419	343	46	150	175	M8	370	485	362	145	185	80	85	-	120	125	11	14	380	350	370	115	-	73.5
CAS-463-2T-5'5	782	875	459	383.5	45.5	200	240	M8	370	485	362	145	185	80	85	-	120	125	11	14	380	350	370	115	-	73.5
CAS-463-2T-7'5	782	875	517	441.5	45.5	200	240	M8	370	485	362	145	185	80	85	-	120	125	11	14	380	350	370	115	-	73.5

	A	B	C	C1	C2	øD1	ød1	ød2	E	H	H1	I	J	J1	K	k1	k2	L	øO	øO1	V	v	X	x1	x2	Y
CAS-467-2T-7.5/10	833	945	524	436	48	224	258	M8	390	530	395	150	190	82.5	90	-	125	130	11	14	405	375	300	125	-	76
CAS-571-2T-10	873	995	536	445.5	50.5	250	275	M8	410	560	410	155	205	90	95	-	130	145	11	14	430	400	350	150	-	79.5
CAS-571-2T-15	873	995	693	602.5	50.5	250	275	M8	410	560	410	155	205	90	95	-	130	145	11	14	430	400	410	180	-	79.5
CAS-640-2T-2	639	728	446	350.5	65.5	250	275	M8	300	410	250	185	260	78	125	80	160	200	11	14	340	310	350	100	-	93.5
CAS-645-2T-3	699	788	461	358	73	250	275	M8	330	440	267.5	200	284	86	140	87.5	175	224	11	14	380	350	380	115	-	101
CAS-645-2T-4	699	788	503	400	73	250	275	M8	330	440	267.5	200	284	86	140	87.5	175	224	11	14	380	350	380	115	-	101
CAS-650-2T-5*5	782	875	534	421	83	250	275	M8	370	485	300	220	310	95	160	97.5	195	250	11	14	405	375	490	125	190	111
CAS-650-2T-7*5	782	875	572	459	83	250	275	M8	370	485	300	220	310	95	160	97.5	195	250	11	14	405	375	490	125	190	111
CAS-852-2T-7.5/10	833	945	603	468.5	94.5	280	310	M8	390	530	320	240	340	78	180	107.5	215	280	11	14	430	400	540	150	190	122
CAS-856-2T-15	833	945	730	597	93	355	395	M8	390	530	320	240	340	78	180	107.5	215	280	11	14	430	400	600	180	190	122
CAS-863-2T-15/20	873	995	728	585	103	355	410	M8	410	560	325	260	375	87.5	200	117.5	235	315	11	14	430	400	620	180	210	132
CAS-971-2T-25	1012	1170	781	620	116	400	450	M10	460	670	420	294	425	100	224	132	264	355	11	14	550	510	715	150	215	145
CAS-971-2T-30	1012	1170	881	720	116	400	450	M10	460	670	420	294	425	100	224	132	264	355	11	14	550	510	715	150	215	145
CAS-971-2T-40	1012	1170	948	787	116	400	450	M10	460	670	420	294	425	100	224	132	264	355	11	14	550	510	715	150	215	145

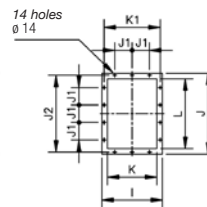
CAS-1250...2080



Inlet nozzle



Outlet nozzle
CAS-1250-2T-15/A
CAS-1456-2T-25/A
CAS-1663-2T-50/A



Outlet nozzle
CAS-1671-2T-60/A
CAS-2071-2T-100/A
CAS-2080-2T-125/A

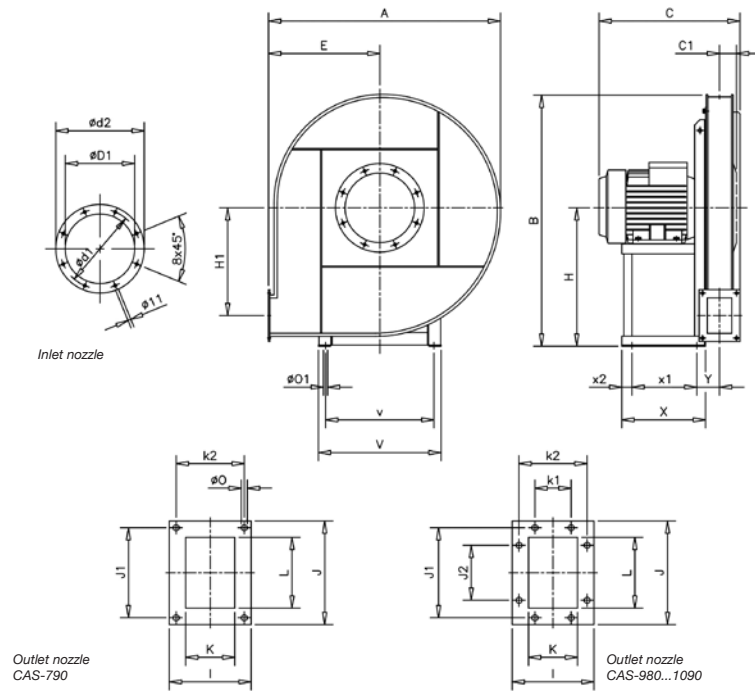
	A	B	C	C1	øD1	øD2	ød1	Number of holes x ø	β	E	H	H1	I	J	J1
CAS-1250-2T-15/A	865	1055	885	160	361	441	405	8x11.5	22°30'	490	630	365	360	480	125
CAS-1456-2T-25/A	970	1185	920	179	406	486	448	12x11.5	15°	550	710	410	395	530	125
CAS-1663-2T-50/A	1010	1280	1035	183	568	668	629	16x11.5	11°15'	450	800	380	435	580	125
CAS-1671-2T-60/A	1130	1340	1160	206	638	738	698	16x13	11°15'	630	800	430	500	660	160
CAS-2071-2T-100/A	1130	1340	1290	206	638	738	698	16x13	11°15'	630	800	430	500	660	160
CAS-2080-2T-125/A	1290	1505	1420	231	718	818	775	16x13	11°15'	710	900	486	550	730	160

	J2	K	K1	L	M	øO1	V	v	v1	X	X1	X2	X3	Y	Z	Z1
CAS-1250-2T-15/A	448	280	332	400	355	14	440	400	-	425	30	340	-	202	-	-
CAS-1456-2T-25/A	497	315	366	450	400	14	440	400	-	425	30	340	-	219	-	-
CAS-1663-2T-50/A	551	355	405	500	450	16	570	510	-	500	40	385	-	263	-	-
CAS-1671-2T-60/A	629	400	464	560	500	19	626	565	800	550	40	425	530	292	1025	60
CAS-2071-2T-100/A	629	400	464	560	500	21	760	680	800	700	50	550	545	307	1125	60
CAS-2080-2T-125/A	698	450	513	630	560	19	930	870	870	700	50	550	588	333	1218	60

CENTRIFUGAL FANS AND IN-LINE DUCT EXTRACTOR FANS

Dimensions mm

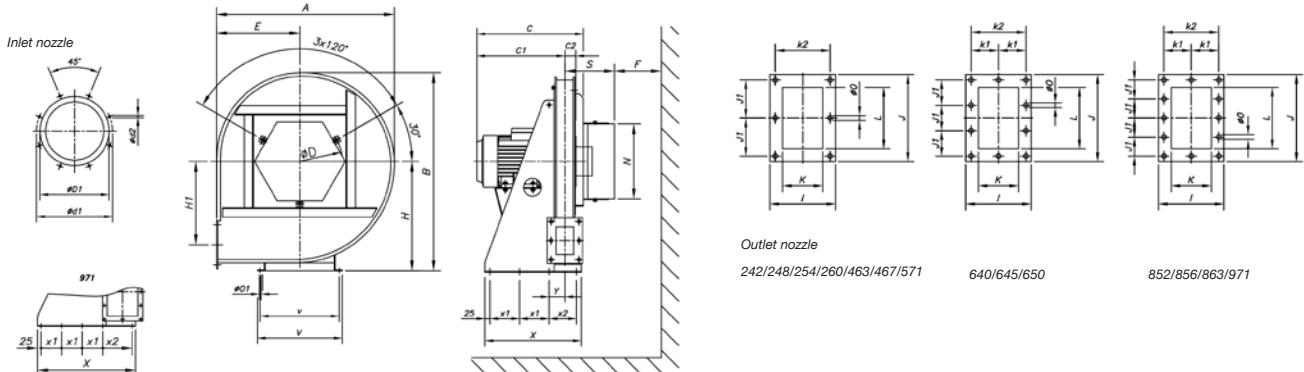
CAS-790...1090



	A	B	C	C1	øD1	ød1	ød2	E	H	H1	I	J	J1	J2	K	k1	k2	L	øO	øO1	V	v	X	x1	x2	Y
CAS-790-2T-20	1095	1175	680	56	185	219	255	530	630	520	140	172	140	-	80	-	112	112	9	14	440	400	425	340	30	103
CAS-980-2T-30	1120	1250	740	90	255	292	325	530	710	530	210	270	241	112	140	112	182	200	11.5	14	500	450	470	370	35	143
CAS-990-2T-50	1270	1410	840	100	286	332	366	600	800	600	230	294	265	112	160	112	200	224	11.5	16	570	510	500	385	40	165
CAS-1080-2T-40	1120	1250	815	90	255	292	325	530	710	530	210	270	241	112	140	112	182	200	11.5	16	570	510	500	385	40	153
CAS-1090-2T-60	1270	1410	920	100	286	332	366	600	800	600	230	294	265	112	160	112	200	224	11.5	19	626	565	550	425	40	175

Dimensions mm

CAS-S-242...971



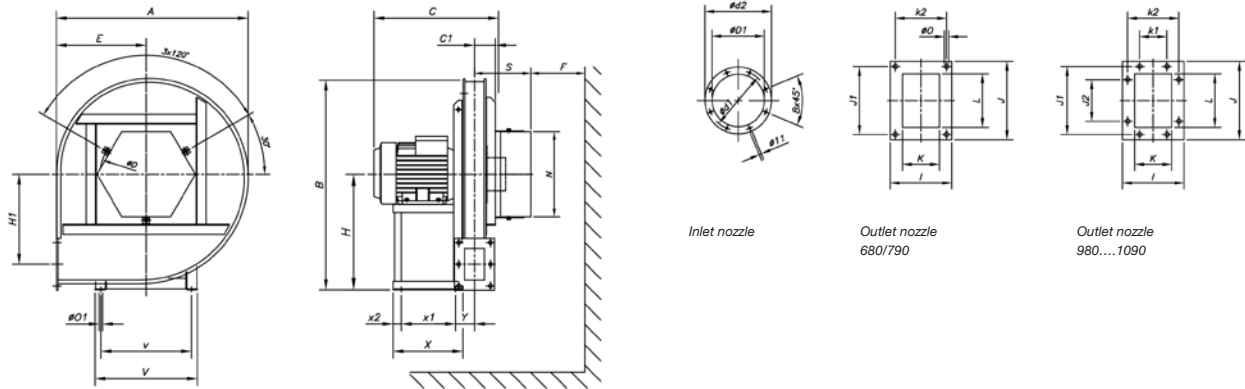
	A	B	C	C1	C2	øD1	ød1	ød2	ØD	N	S	F	E	H	H1	I
CAS-S-242-2T-0.33	576	662	299	236	33	100	130	M8	276	255	170	150	270	375	270	120
CAS-S-242-2T-0.5	576	662	319	256	33	100	130	M8	276	255	170	150	270	375	270	120
CAS-S-248-2T-0.75	639	728	335	269	36	112	140	M8	276	255	218	150	300	410	297	126
CAS-S-248-2T-1/1.5	639	728	343	277	36	112	140	M8	276	255	218	150	300	410	297	126
CAS-S-254-2T-1.5	699	788	369	298.5	40.5	125	155	M8	276	255	225	150	330	440	322	135
CAS-S-254-2T-2	699	788	413	342.5	40.5	125	155	M8	276	255	225	150	330	440	322	135
CAS-S-254-2T-3	699	788	413	342.5	40.5	125	155	M8	276	255	225	150	330	440	322	135
CAS-S-260-2T-2/3	782	875	419	343	46	150	175	M8	371	350	230	150	370	485	362	145
CAS-S-463-2T-5.5	782	875	459	383.5	45.5	200	240	M8	371	350	230	150	370	485	362	145
CAS-S-463-2T-7.5	782	875	517	441.5	45.5	200	240	M8	371	350	230	150	370	485	362	145
CAS-S-467-2T-7.5/10	833	945	524	436	48	224	258	M8	371	350	235	150	390	530	395	150
CAS-S-571-2T-10	873	995	536	445.5	50.5	250	275	M8	371	350	240	150	410	560	410	155
CAS-S-571-2T-15	873	995	693	602.5	50.5	250	275	M8	371	350	240	150	410	560	410	155
CAS-S-640-2T-2	639	728	446	350.5	65.5	250	275	M8	371	350	255	150	300	410	250	185
CAS-S-645-2T-3	699	788	461	358	73	250	275	M8	581	560	260	200	330	440	267.5	200
CAS-S-645-2T-4	699	788	503	400	73	250	275	M8	581	560	260	200	330	440	267.5	200
CAS-S-650-2T-5.5	782	875	534	421	83	250	275	M8	661	560	270	200	370	485	300	220
CAS-S-650-2T-7.5	782	875	572	459	83	250	275	M8	661	560	270	200	370	485	300	220
CAS-S-852-2T-7.5/10	833	945	603	468.5	94.5	280	310	M8	661	560	280	200	390	530	320	240
CAS-S-856-2T-15	833	945	730	597	93	355	395	M8	683	655	280	200	390	530	320	240
CAS-S-863-2T-15/20	873	995	728	585	103	355	410	M8	758	655	290	200	410	560	325	260
CAS-S-971-2T-25	1012	1170	781	620	116	400	450	M10	759	655	305	200	460	670	420	294
CAS-S-971-2T-30	1012	1170	881	720	116	400	450	M10	759	655	305	200	460	670	420	294
CAS-S-971-2T-40	1012	1170	948	787	116	400	450	M10	759	655	305	200	460	670	420	294

	J	J1	K	k1	k2	L	øO	øO1	V	v	X	x1	x2	Y
CAS-S-242-2T-0.33	155	65	60	-	95	95	11	12	305	275	260	75	-	61
CAS-S-242-2T-0.5	155	65	60	-	95	95	11	12	305	275	260	75	-	61
CAS-S-248-2T-0.75	165	70	66	-	101	105	11	12	320	290	300	90	-	64
CAS-S-248-2T-1/1.5	165	70	66	-	101	105	11	12	320	290	300	90	-	64
CAS-S-254-2T-1.5	175	75	75	-	110	115	11	14	340	310	330	100	-	68.5
CAS-S-254-2T-2	175	75	75	-	110	115	11	14	340	310	330	100	-	68.5
CAS-S-254-2T-3	175	75	75	-	110	115	11	14	340	310	330	100	-	68.5
CAS-S-260-2T-2/3	185	80	85	-	120	125	11	14	380	350	370	115	-	73.5
CAS-S-463-2T-5.5	185	80	85	-	120	125	11	14	380	350	370	115	-	73.5
CAS-S-463-2T-7.5	185	80	85	-	120	125	11	14	380	350	370	115	-	73.5
CAS-S-467-2T-7.5/10	190	82.5	90	-	125	130	11	14	405	375	300	125	-	76
CAS-S-571-2T-10	205	90	95	-	130	145	11	14	430	400	350	150	-	79.5
CAS-S-571-2T-15	205	90	95	-	130	145	11	14	430	400	410	180	-	79.5
CAS-S-640-2T-2	260	78	125	80	160	200	11	14	340	310	350	100	-	93.5
CAS-S-645-2T-3	284	86	140	87.5	175	224	11	14	380	350	380	115	-	101
CAS-S-645-2T-4	284	86	140	87.5	175	224	11	14	380	350	380	115	-	101
CAS-S-650-2T-5.5	310	95	160	97.5	195	250	11	14	405	375	490	125	190	111
CAS-S-650-2T-7.5	310	95	160	97.5	195	250	11	14	405	375	490	125	190	111
CAS-S-852-2T-7.5/10	340	78	180	107.5	215	280	11	14	430	400	540	150	190	122
CAS-S-856-2T-15	340	78	180	107.5	215	280	11	14	430	400	600	180	190	122
CAS-S-863-2T-15/20	375	87.5	200	117.5	235	315	11	14	430	400	620	180	210	132
CAS-S-971-2T-25	425	100	224	132	264	355	11	14	550	510	715	150	215	145
CAS-S-971-2T-30	425	100	224	132	264	355	11	14	550	510	715	150	215	145
CAS-S-971-2T-40	425	100	224	132	264	355	11	14	550	510	715	150	215	145

CENTRIFUGAL FANS AND IN-LINE DUCT EXTRACTOR FANS

Dimensions mm

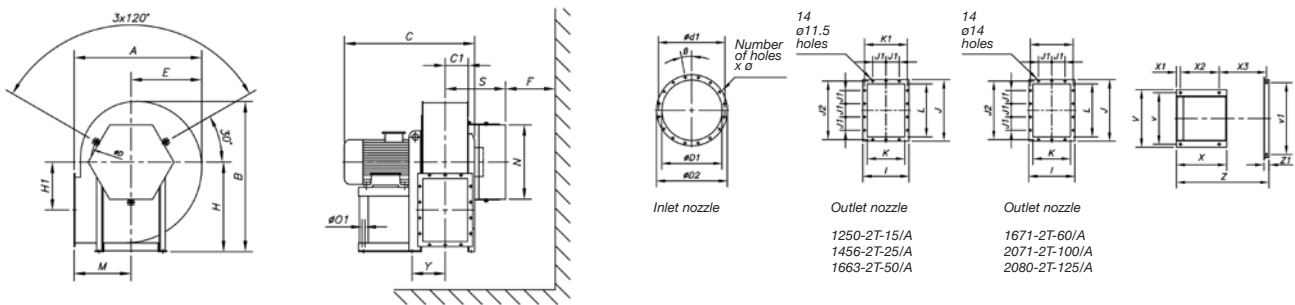
CAS-S-790...1090



	A	B	C	C1	øD1	ød1	ød2	ØD	N	S	F	E	H	H1	I
CAS-S-790-2T-20	1095	1175	680	56	185	219	255	371	350	259	200	530	630	520	140
CAS-S-980-2T-30	1120	1250	740	90	255	292	325	581	560	290	200	530	710	530	210
CAS-S-990-2T-50	1270	1410	840	100	286	332	366	581	560	300	200	600	800	600	230
CAS-S-1080-2T-40	1120	1250	815	90	255	292	325	581	560	290	200	530	710	530	210
CAS-S-1090-2T-60	1270	1410	920	100	286	332	366	581	560	300	200	600	800	600	230

	J	J1	J2	K	k1	k2	L	øO	øO1	V	v	X	x1	x2	Y
CAS-S-790-2T-20	172	140	-	80	-	112	112	9	14	440	400	425	340	30	103
CAS-S-980-2T-30	270	241	112	140	112	182	200	11.5	14	500	450	470	370	35	143
CAS-S-990-2T-50	294	265	112	160	112	200	224	11.5	16	570	510	500	385	40	165
CAS-S-1080-2T-40	270	241	112	140	112	182	200	11.5	16	570	510	500	385	40	153
CAS-S-1090-2T-60	294	265	112	160	112	200	224	11.5	19	626	565	550	425	40	175

CAS-S-1250...2080



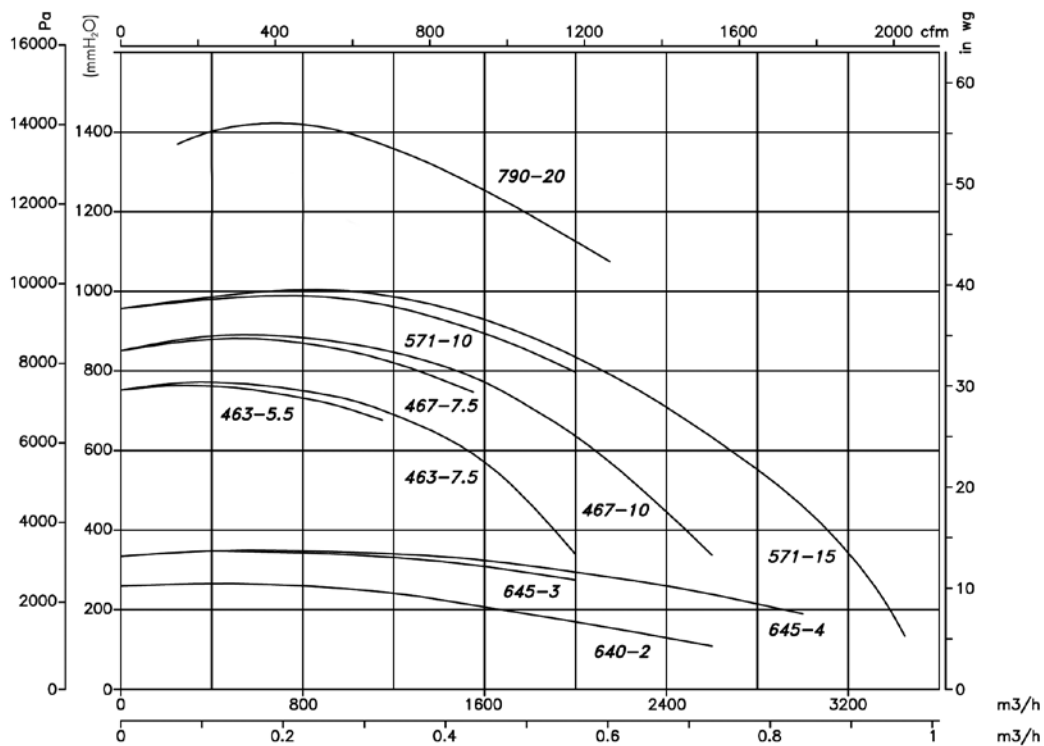
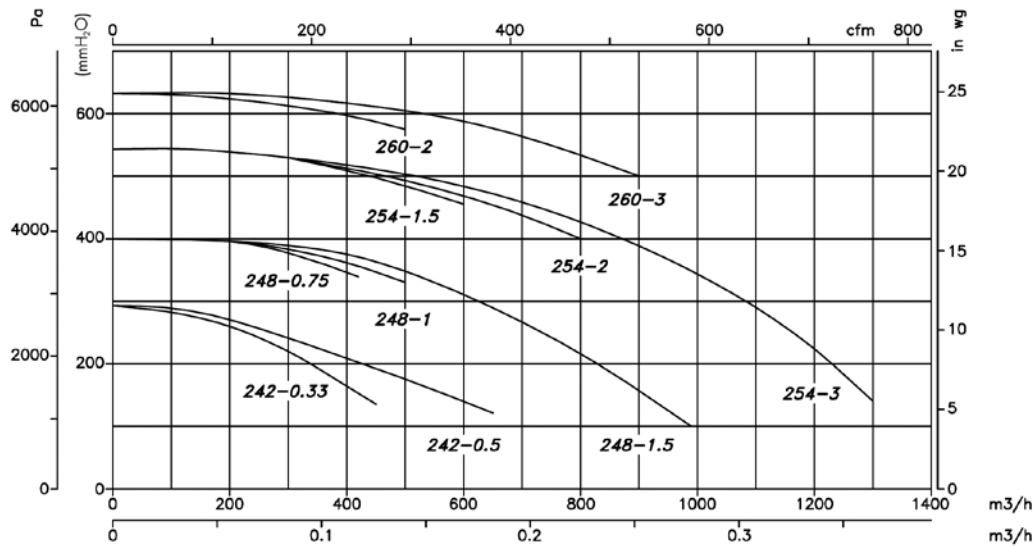
	A	B	C	C1	øD1	øD2	ød1	x ø	β	ØD	S	N	F	E	H	H1	I	J
CAS-S-1250-2T-15/A	865	1055	885	160	361	441	405	8x11.5	22°30'	683	360	655	200	490	630	365	360	480
CAS-S-1456-2T-25/A	970	1185	920	179	406	486	448	12x11.5	15°	683	336	655	200	550	710	410	395	530
CAS-S-1663-2T-50/A	1010	1280	1035	183	568	668	629	16x11.5	11°15'	804	342	775	200	450	800	380	435	580
CAS-S-1671-2T-60/A	1130	1340	1160	206	638	738	698	16x13	11°15'	804	437	775	200	630	800	430	500	660
CAS-S-2071-2T-100/A	1130	1340	1290	206	638	738	698	16x13	11°15'	804	437	775	200	630	800	430	500	660
CAS-S-2080-2T-125/A	1290	1505	1420	231	718	818	775	16x13	11°15'	884	462	855	200	710	900	486	550	730

	J1	J2	K	K1	L	M	øO1	V	v	v1	X	X1	X2	X3	Y	Z	Z1
CAS-S-1250-2T-15/A	125	448	280	332	400	355	14	440	400	-	425	30	340	-	202	-	-
CAS-S-1456-2T-25/A	125	497	315	366	450	400	14	440	400	-	425	30	340	-	219	-	-
CAS-S-1663-2T-50/A	125	551	355	405	500	450	16	570	510	-	500	40	385	-	263	-	-
CAS-S-1671-2T-60/A	160	629	400	464	560	500	19	626	565	800	550	40	425	530	292	1025	60
CAS-S-2071-2T-100/A	160	629	400	464	560	500	21	760	680	800	700	50	550	545	307	1125	60
CAS-S-2080-2T-125/A	160	698	450	513	630	560	19	930	870	870	700	50	550	588	333	1218	60

Characteristic curves

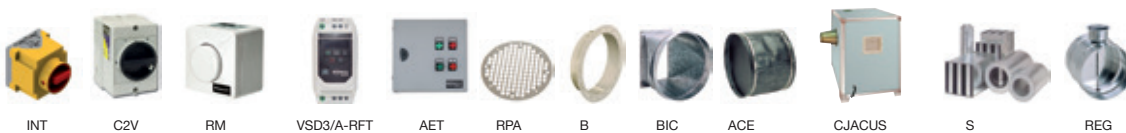
Q= Flow rate in m³/h, m³/s and cfm

Pe= Static pressure in mm H₂O, Pa and inwg



Accessories

See accessories section.

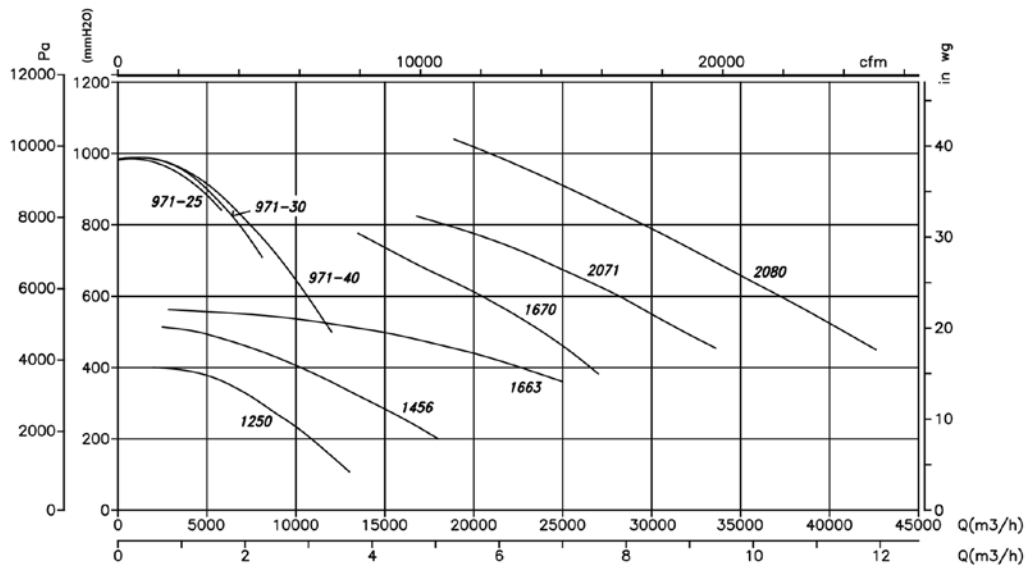
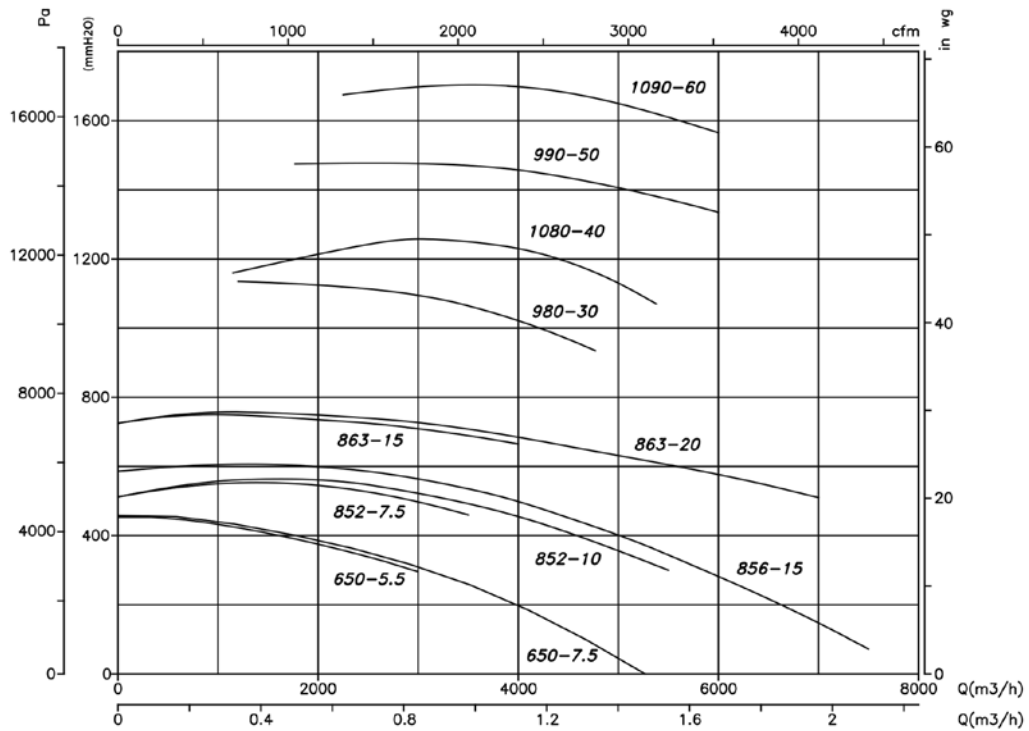


CENTRIFUGAL FANS AND IN-LINE DUCT EXTRACTOR FANS

Characteristic curves

Q= Flow rate in m³/h, m³/s and cfm

Pe= Static pressure in mm H₂O, Pa and inwg



Orientation

Standard supply LG 270
 LG 180 positions on request
 and with special anchoring
 measurements.



Supply on request
 RD 180 positions with special
 anchoring measurements.



CA



High pressure, single inlet, centrifugal fans with cast aluminium casing and impeller.



Fan:

- Cast aluminium casing.
- Cast aluminium impeller.

Motor:

- IE3 efficiency motors for powers equal to or greater than 0.75 kW except single-phase, 2-speed and 8-pole.
- Class F motors with ball bearings and IP55 protection.
- Three-phase 230/400 V - 50 Hz (up to 4 kW) and 400/690 V - 50 Hz (powers higher than 4 kW).
- Maximum temperature of air to be carried: -20 °C +120 °C.

Finish:

- Anti-corrosive finish of polyester resin polymerised at 190 °C, previously degreased with phosphate-free nanotechnological treatment.

On request:

- Special windings for different voltages.
- Fan prepared for air transmission of up to 250 °C.
- ATEX-certified Category 2.



Extremely thick aluminium construction to absorb noise and vibrations

Order code

CA — 148 — 2T — 0,75

CA: High pressure, single inlet, centrifugal fans with cast aluminium casing and impeller

Impeller size

Number of motor poles
2=2900 r/min 50 Hz

T=Three-phase

Motor power (HP)

Technical characteristics

Model	Speed (r/min)	Maximum admissible current (A)			Installed power (kW)	Maximum flow rate (m ³ /h)	Sound pressure level dB(A)	Approx. weight (kg)	According to ErP
		230 V	400 V	690 V					
CA-234-2T	2710	1.92	1.11		0.37	220	72	10	*
CA-234-2M	2780	2.53			0.37	220	72	10	*
CA-142-2T-0.33	2710	1.29	0.75		0.25	275	73	23	2015
CA-142-2T-0.5	2710	1.92	1.11		0.37	350	73	23	2015
CA-148-2T-0.75	2760	2.57	1.49		0.55	400	74	28	2015
CA-148-2T-1 IE3	2825	2.80	1.62		0.75	490	75	35	2015
CA-148-2T-1.5 IE3	2830	4.03	2.34		1.10	610	76	33	2015
CA-154-2T-1.5 IE3	2830	4.03	2.34		1.10	600	78	47	2015
CA-154-2T-2 IE3	2875	5.34	3.07		1.50	800	79	52	2015
CA-154-2T-3 IE3	2910	7.32	4.21		2.20	1280	80	55	2015
CA-160-2T-2 IE3	2875	5.34	3.07		1.50	500	83	61	2015
CA-160-2T-3 IE3	2910	7.32	4.21		2.20	900	84	63	2015
CA-166-2T-3 IE3	2910	7.32	4.21		2.20	500	84	72	2015
CA-166-2T-4 IE3	2910	10.00	5.77		3.00	950	85	77	2015
CA-166-2T-5.5 IE3	2900	13.00	7.50		4.00	1600	86	85	2015
CA-172-2T-5.5 IE3	2900	13.00	7.50		4.00	1100	87	99	2015
CA-172-2T-7.5 IE3	2930		10.10	5.86	5.50	1710	88	135	2015
CA-172-2T-10 IE3	2930		14.10	8.17	7.50	2300	89	120	2015

* Equipment not covered by Directive 2009/125/EC

Acoustic characteristics

Sound power spectrum Lw(A) in dB(A) per Hz frequency band

	63	125	250	500	1000	2000	4000	8000		63	125	250	500	1000	2000	4000	8000
234	38	51	65	72	80	79	73	64	160-2	54	67	81	88	96	94	88	80
142	39	52	66	73	81	80	74	65	160-3	55	68	82	89	97	95	89	81
148-0.75	43	56	70	77	85	83	77	69	166-3	55	68	82	89	97	95	89	81
148-1	44	57	71	78	86	84	78	70	166-4	56	69	83	90	98	96	90	82
148-1.5	45	58	72	79	87	85	79	71	166-5.5	57	70	84	91	99	97	91	83
154-1.5	47	60	74	81	89	87	81	73	172-5.5	59	72	86	93	101	100	94	85
154-2	48	61	75	82	90	88	82	74	172-7.5	60	73	87	94	102	101	95	86
154-3	49	62	76	83	91	89	83	75	172-10	61	74	88	95	103	102	96	87

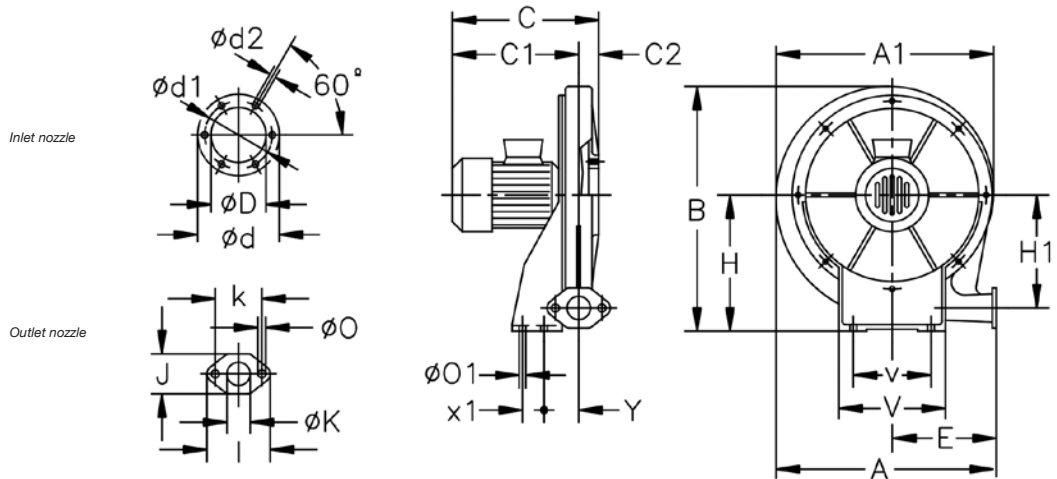


Erp. (Energy Related Products)

Information on Directive 2009/125/EC can be downloaded from the SODECA website or the QuickFan selector programme.

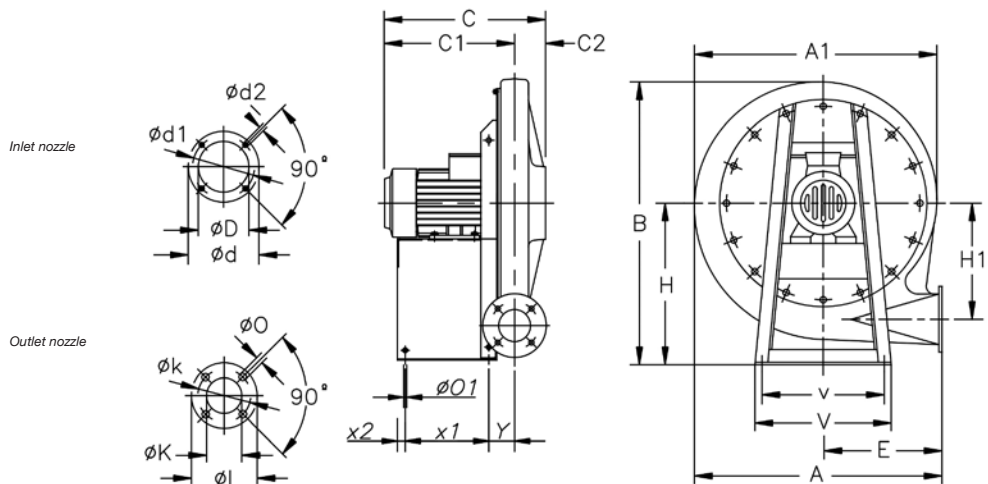
Dimensions mm

CA-234



	A	A1	B	C	C1	C2	øD	ød	ød1	ød2	E	H	H1	I	J	øK	k	øO	øO1	V	v	x1	Y
CA-234-2T-0.33	376	381	415	261	236.5	24.5	98	130	115	M4	175	225	187	98	63	40	78	9	9	180	120	40	94
CA-234-2M-0.33	376	381	415	266	241.5	24.5	98	130	115	M4	175	225	187	98	63	40	78	9	9	180	120	40	94

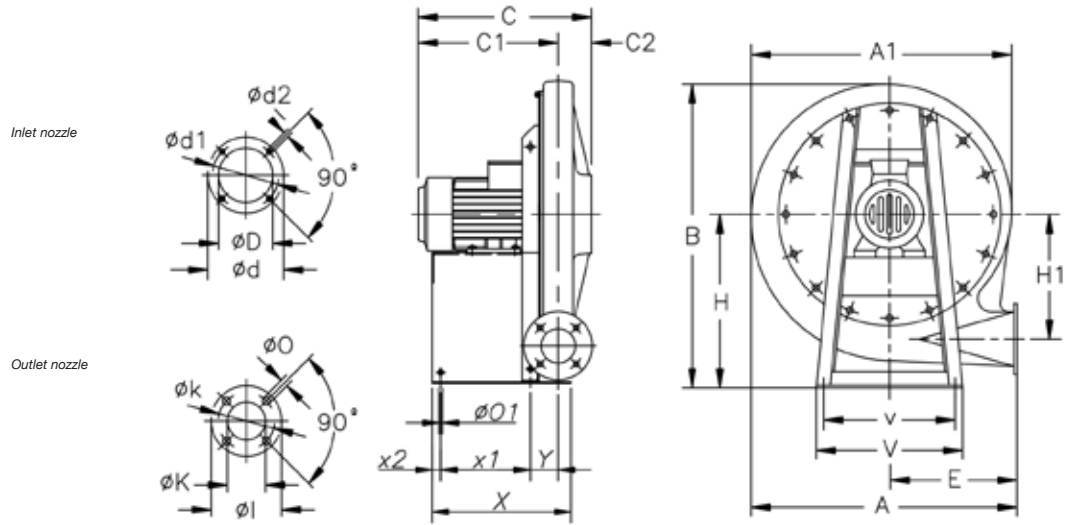
CA-142...148



	A	A1	B	C	C1	C2	øD	ød	ød1	ød2	E	H	H1	øI	øK	øk	øO	øO1	V	v	x1	x2	Y
CA-142-2T-0.33	494	488	540	261	215	46	90	160	130	M8	240	301	235	120	60	90	11	12	300	270	130	20	47.5
CA-142-2T-0.5	494	488	540	291	245	46	90	160	130	M8	240	301	235	120	60	90	11	12	300	270	130	20	47.5
CA-148-2T-0.75	563	557.5	639	308.5	251.5	57	100	170	140	M8	270	360	269.5	150	73	110	11	12	330	290	140	20	60
CA-148-2T-1	563	557.5	639	331	274	57	100	170	140	M8	270	360	269.5	150	73	110	11	12	330	290	140	20	60
CA-148-2T-1.5	563	557.5	639	331	274	57	100	170	140	M8	270	360	269.5	150	73	110	11	12	330	290	140	20	60

Dimensions mm

CA-154...172

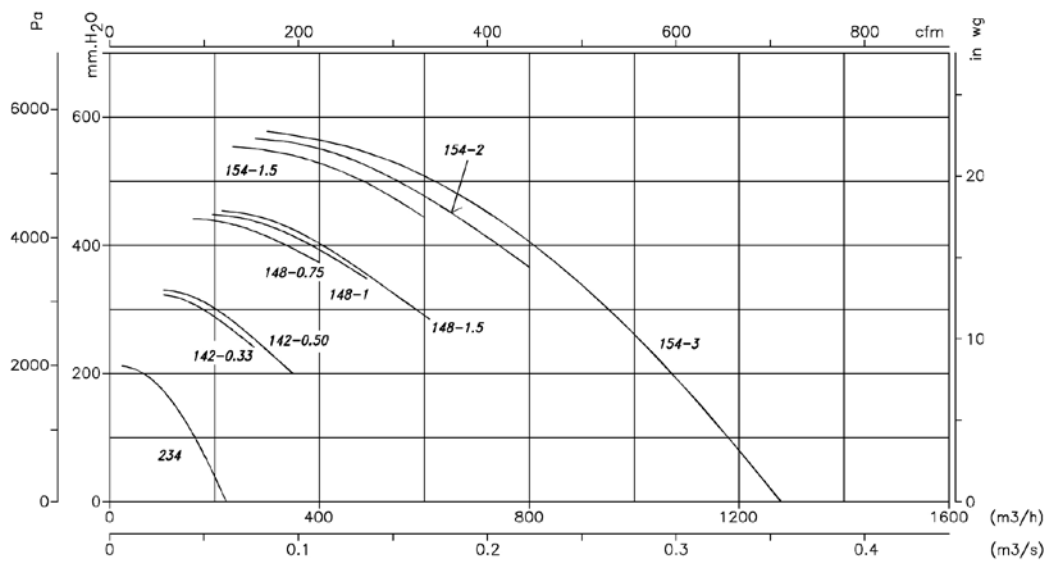


	A	A1	B	C	C1	C2	ϕD	ϕd	$\phi d1$	$\phi d2$	E	H	H1	ϕl	ϕK	ϕk	ϕO	$\phi O1$	V	v	X	x1	x2	Y
CA-154-2T-1.5	630	625	708	351	273	78	115	183	155	M10	300	395	308	160	80	120	13	12	356	320	325	210	20	65
CA-154-2T-2	630	625	708	405	327	79.5	115	183	155	M10	300	395	308	160	80	120	13	12	356	320	325	210	20	65
CA-154-2T-3	630	625	708	396	316.5	79.5	115	183	155	M10	300	395	308	160	80	120	13	12	356	320	325	210	20	65
CA-160-2T-2	700	689	785	415	329.5	85.5	130	230	192	M10	336	440	338	160	85	120	13	12	373	322	344	220	23	68.5
CA-160-2T-3	708	699	785	406	316	90	130	230	192	M10	336	440	338	160	85	120	13	12	373	322	344	220	23	68.5
CA-166-2T-3	759	752	866	385	307.5	77.5	140	230	200	M10	364	490	372	160	85	120	13	12	450	400	370	245	23	67.5
CA-166-2T-4	759	752	866	435	357.5	77.5	140	230	200	M10	364	490	372	160	85	120	13	12	450	400	370	245	23	67.5
CA-166-2T-5.5	759	752	866	458	380	77.5	140	230	200	M10	364	490	372	160	85	120	13	12	450	400	390	265	23	70.5
CA-172-2T-5.5	818	813	923	469	388	80	148	230	198	M10	390	516	404	175	90	140	13	12	450	400	395	260	25	78
CA-172-2T-7.5	818	813	923	507	426	80	148	230	200	M10	390	516	404	175	90	140	13	12	450	400	435	300	25	78
CA-172-2T-10	818	813	923	507	426	80	148	230	200	M10	390	516	404	175	90	140	13	12	450	400	435	300	25	78

Characteristic curves

Q= Flow rate in m³/h, m³/s and cfm

Pe= Static pressure in mm H₂O, Pa and inwg

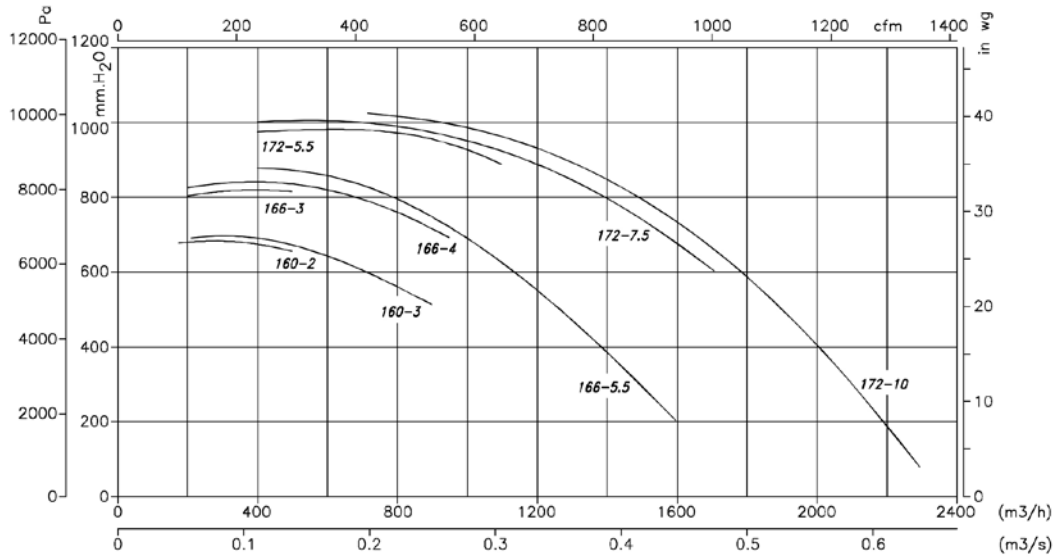


CENTRIFUGAL FANS AND IN-LINE DUCT EXTRACTOR FANS

Characteristic curves

Q= Flow rate in m³/h, m³/s and cfm

Pe= Static pressure in mm H₂O, Pa and inwg



Orientation

Standard supply LG 270

LG 180 positions on request and with special anchoring measurements.



Accessories

See accessories section.



CAM



High pressure, single inlet, centrifugal fans with sheet steel casing and cast aluminium impeller.



- Fan:**
- Sheet steel casing.
 - Cast aluminium and sheet steel impellers in models 752, 880 and 980.
- Motor:**
- IE3 efficiency motors for powers equal to or greater than 0.75 kW except single-phase, 2-speed and 8-pole.
 - Class F motors with ball bearings and IP55 protection.
 - Three-phase 230/400 V - 50 Hz (up to 4 kW) and 400/690 V - 50 Hz (powers higher than 4 kW).
 - Maximum temperature of air to be carried: -20 °C +120 °C.

- Finish:**
- Anti-corrosive finish of polyester resin polymerised at 190 °C, previously degreased with phosphate-free nanotechnological treatment.

- On request:**
- Special windings for different voltages.
 - Fan prepared for air transmission of up to 250 °C.
 - Stainless steel fan.
 - ATEX-certified Category 2.



Extremely robust, high performance impellers

Order code

CAM — 752 — 2T — 10

CAM: High pressure, single inlet, centrifugal fans with sheet steel casing and cast aluminium impeller

Impeller size

Number of motor poles
2=2900 r/min 50 Hz

T=Three-phase

Motor power (HP)

Technical characteristics

Model	Speed (r/min)	Maximum admissible current (A)			Installed power (kW)	Maximum flow rate (m³/h)	Sound pressure level dB(A)	Approx. weight (kg)	According to ErP
		230 V	400 V	690 V					
CAM-540-2T IE3	2875	5.34	3.07	1.50	2430	85	42	2015	
CAM-545-2T-3 IE3	2910	7.32	4.21	2.20	2300	86	59	2015	
CAM-545-2T-4 IE3	2910	10.00	5.77	3.00	3610	88	68	2015	
CAM-550-2T-5.5 IE3	2900	13.00	7.50	4.00	2800	90	122	2015	
CAM-550-2T-7.5 IE3	2930	10.10	5.86	5.50	5000	91	152	2015	
CAM-752-2T-7.5 IE3	2930	10.10	5.86	5.50	2950	93	161	2015	
CAM-752-2T-10 IE3	2930	14.10	8.17	7.50	5000	94	139	2015	
CAM-760-2T-10 IE3	2930	14.10	8.17	7.50	2900	95	164	2015	
CAM-760-2T-15 IE3	2945	20.00	11.60	11.00	5000	97	228	2015	
CAM-760-2T-15/E IE3	2945	20.00	11.60	11.00	6380	98	226	2015	
CAM-880-2T-40 IE3	2960	54.50	31.60	30.00	10000	99	420	2015	
CAM-980-2T-60 IE3	2960	77.50	44.90	45.00	11390	92	580	Excluded	



Erp. (Energy Related Products)

Information on Directive 2009/125/EC can be downloaded from the SODECA website or the QuickFan selector programme.

Acoustic characteristics

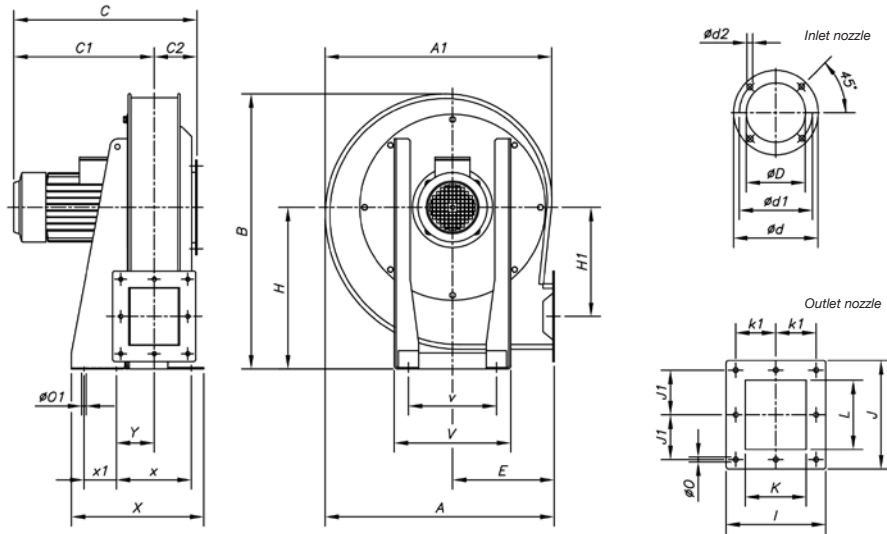
Sound power spectrum Lw(A) in dB(A) per Hz frequency band

	63 125 250 500 1000 2000 4000 8000								63 125 250 500 1000 2000 4000 8000								
	540	57	70	81	90	97	91	86	78	752-10	67	81	92	101	108	102	96
545-3	58	71	82	91	98	92	87	79	760-10	70	83	95	103	110	105	99	91
545-4	60	73	84	93	100	94	89	81	760-15	72	85	97	105	112	107	101	93
550-5.5	63	77	88	97	104	98	92	85	760-15/E	73	86	98	106	113	108	102	94
550-7.5	64	78	89	98	105	99	93	86	880	75	89	100	109	116	110	104	97
752-7.5	66	80	91	100	107	101	95	88	980	86	88	96	100	107	104	99	91

CENTRIFUGAL FANS AND IN-LINE DUCT EXTRACTOR FANS

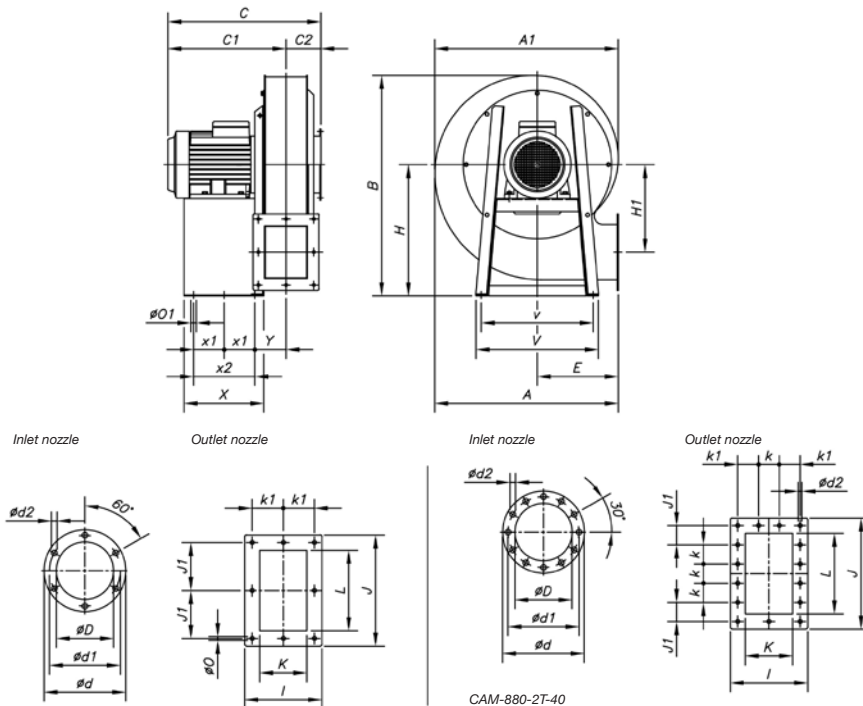
Dimensions mm

CAM-540...545



	A	A1	B	C	C1	C2	øD	ød	ød1	ød2	E	H	H1	I	J	J1	K	k1	L	øO	øO1	V	v	X	x	x1	Y
CAM-540-2T	568	562	681	454	348	106	170	235	205	11	252	400	270	206	224	92	120	83	140	10	12	288	218	328	186	80	94
CAM-545-2T-3	654	644	772	474	355.5	118.5	165	235	205	11	290	450	310	222	255	108	135	90	170	10	12	300	238	344	202	80	102.5
CAM-545-2T-4	654	644	772	504	385.5	115.5	165	235	205	11	290	450	310	222	255	108	135	90	170	10	12	300	238	344	202	80	102.5

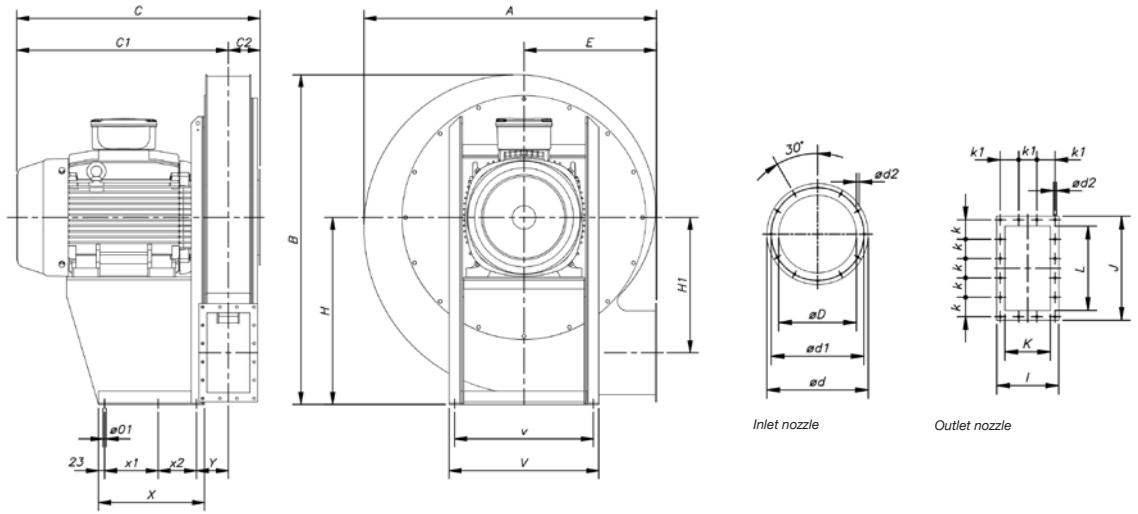
CAM-550...880



	A	A1	B	C	C1	C2	øD	ød	ød1	ød2	E	H	H1	I	J	J1	K	k	k1	L	øO	øO1	V	v	X	x1	x2	Y
CAM-550-2T-5.5	719	715	868	552	416	136	210	278	258	9	311	510	350	246	296	128	150	-	103	200	11	13	475	435	279	210	210	115.5
CAM-550-2T-7.5	719	715	868	590	454	136	210	278	258	9	311	510	350	246	296	128	150	-	103	200	11	13	475	435	310	210	210	115.5
CAM-752-2T-7.5	713	713	856	594	459	135	217	278	258	9	315	510	340	256	296	128	160	-	108	200	11	13	475	435	390	210	210	121
CAM-752-2T-10	713	713	856	594	459	135	217	278	258	9	315	510	340	256	296	128	160	-	108	200	11	13	475	435	390	210	210	121
CAM-760-2T-10	837.5	833.5	975	616	462	147	212	322	280	9.5	370	570	380	276	316	138	180	-	118	220	11	13	570	525	450	202.5	405	74.5
CAM-760-2T-15	837.5	833.5	975	736	589.5	147	212	322	280	9.5	370	570	380	276	316	138	180	-	118	220	11	13	570	525	450	202.5	405	74.5
CAM-760-2T-15/E	837.5	833.5	975	736	589.5	147	212	322	280	9.5	370	570	380	276	316	138	180	-	118	220	11	13	570	525	450	202.5	405	74.5
CAM-880-2T-40	945	939	1167	905	771	134	290	390	355	10	422	710	430	249	360	61	190	71	76	290	11	13	565	523	480	210	420	133

Dimensions mm

CAM-980



	A	B	C	C1	C2	ØD	Ød	Ød1	Ød2	E	H	H1	I	J	K	k	k1	L	Ø01	V	v	X	x1	x2	Y	x1	Y
CAM-980-2T-60	1104	1243	918.5	798.5	120	276	360	330	10	500	705	510	221	370	162	69	65	300	13	565	523	400	202	145	120	202	120

Orientation

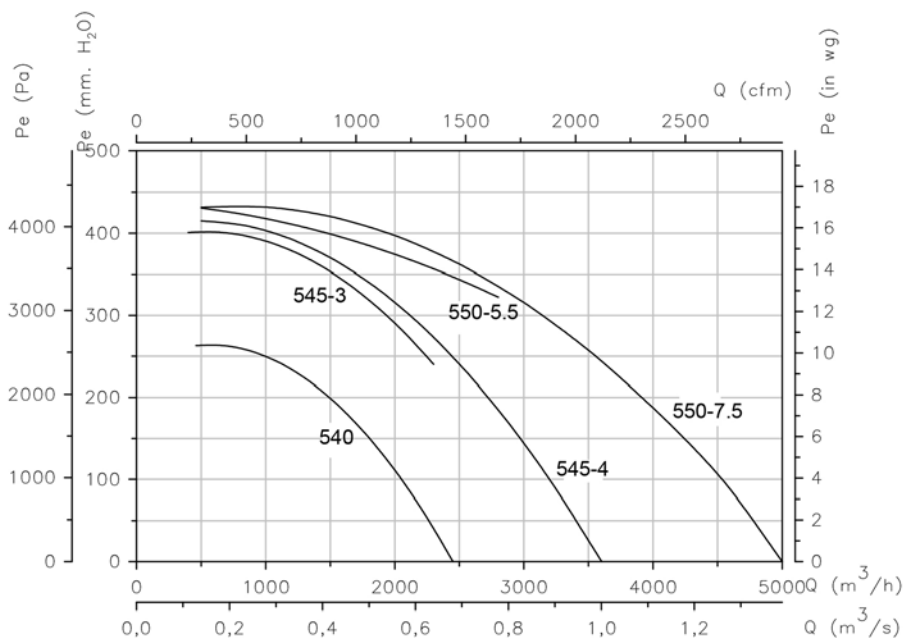
Standard supply LG 270
 LG 180 positions on request and with special anchoring measurements.



Characteristic curves

Q= Flow rate in m³/h, m³/s and cfm

Pe= Static pressure in mm H₂O, Pa and inwg

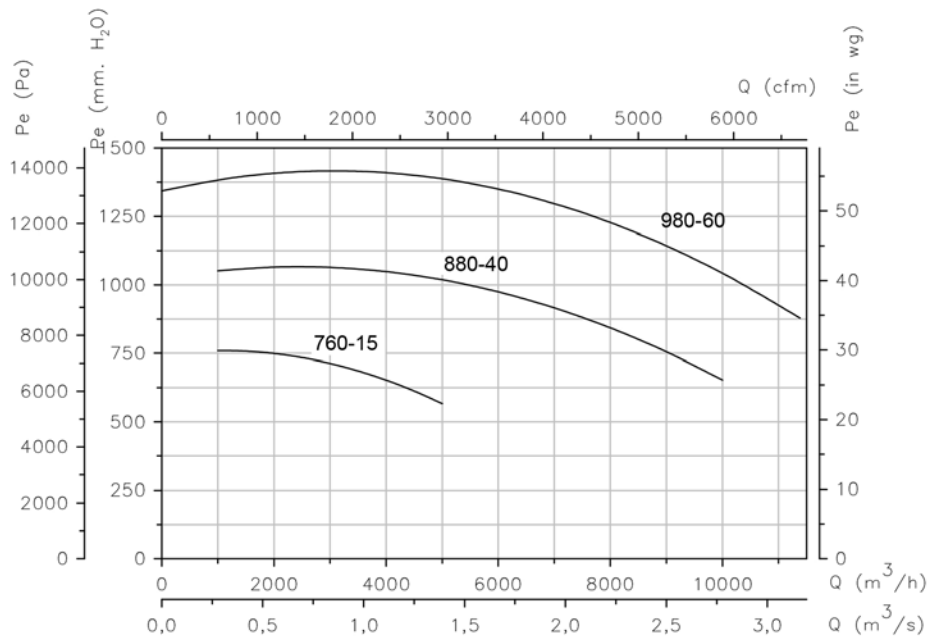
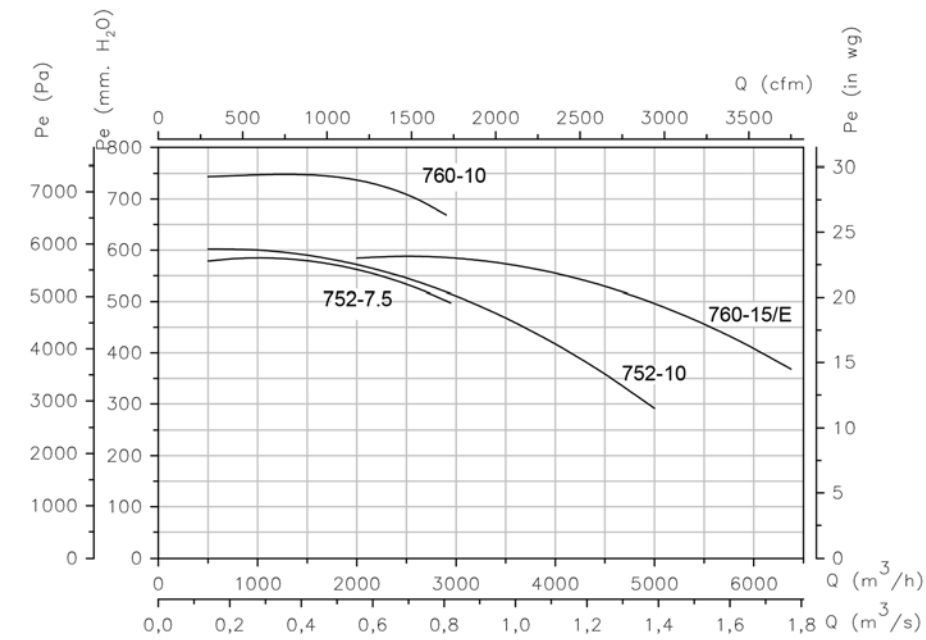


CENTRIFUGAL FANS AND IN-LINE DUCT EXTRACTOR FANS

Characteristic curves

Q= Flow rate in m³/h, m³/s and cfm

Pe= Static pressure in mm H₂O, Pa and inwg



Accessories

See accessories section.



CMP-X



Belt-driven fans fitted with electric motors, a standardised set of pulleys, belts and protectors in accordance with standard ISO-13857.



Fan:

- Sheet steel casing.
- Forward-curved impeller made of galvanised sheet steel.
- Version A: motor assembled on the casing.
- Version B: motor assembled on the general bench.

Motor:

- IE3 efficiency motors for powers equal to or greater than 0.75 kW except single-phase, 2-speed and 8-pole.
- Class F motors with ball bearings and IP55 protection.
- Three-phase 230/400 V - 50 Hz (up to 4 kW) and 400/690 V - 50 Hz (powers higher than 4 kW).
- Maximum temperature of air to be carried: -20 °C +150 °C.

Finish:

- Anti-corrosive finish of polyester resin polymerised at 190 °C, previously degreased with phosphate-free nanotechnological treatment.

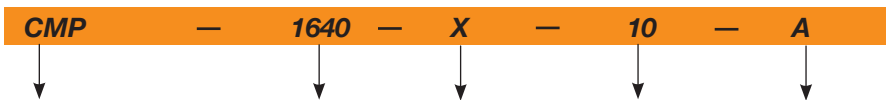
On request:

- Special windings for different voltages.
- Fan prepared for air transmission of up to 250 °C.
- Stainless steel fan.
- ATEX-certified Category 2.
- Straight blade impellers.



Shaft protections and transmission compliant with standards.

Order code



CMP-X: Belt-driven fans fitted with electric motors and a standardised set of pulleys, belts and protectors in accordance with standard ISO-13857

Impeller size

Belt-driven

Motor power (HP)

Mounting type

A: Motor assembled on the casing.

B: Motor assembled on the general bench.

Technical characteristics

Model	Speed (r/min)	Maximum admissible current (A)			Installed power (kW)	Maximum flow rate (m ³ /h)	Maximum pressure (mm H ₂ O)	Approx. weight (kg)	Mounting version	According to ErP
		230 V	400 V	690 V						
CMP-922-X-1 IE3	1600	2.82	1.62		0.75	2050	55	34	A	2015
CMP-922-X-1.5 IE3	1800	4.07	2.34		1.10	2300	65	42	A	2015
CMP-922-X-3 IE3	2270	7.93	4.56		2.20	2900	105	50	A	2015
CMP-922-X-4 IE3	2570	10.70	6.15		3.00	3300	135	57	A	2015
CMP-1025-X-2 IE3	1550	5.41	3.11		1.50	3000	60	56	A	2015
CMP-1025-X-3 IE3	1770	7.93	4.56		2.20	3400	80	57	A	2015
CMP-1025-X-4 IE3	1980	10.70	6.15		3.00	3800	100	64	A	2015
CMP-1128-X-2 IE3	1290	5.41	3.11		1.50	3550	55	61	A	2015
CMP-1128-X-3 IE3	1470	7.93	4.56		2.20	4050	75	62	A	2015
CMP-1128-X-4 IE3	1650	10.70	6.15		3.00	4550	95	69	A	2015
CMP-1128-X-5.5 IE3	1820	13.90	8.00		4.00	5000	115	78	A	2015
CMP-1128-X-7.5 IE3	2020		10.30	5.97	5.50	5550	140	113	B	2015
CMP-1231-X-4 IE3	1280	10.70	6.15		3.00	5050	60	74	A	2015
CMP-1231-X-5.5 IE3	1410	13.90	8.00		4.00	5600	70	83	A	2015
CMP-1435-X-3 IE3	1100	7.93	4.56		2.20	4850	70	74	A	2015
CMP-1435-X-4 IE3	1220	10.70	6.15		3.00	5350	90	81	A	2015
CMP-1435-X-5.5 IE3	1350	13.90	8.00		4.00	5850	110	90	A	2015
CMP-1435-X-7.5 IE3	1500		10.30	5.97	5.50	6500	135	125	A	2015

Technical characteristics

Model	Speed (r/min)	Maximum admissible current (A)			Installed power (kW)	Maximum flow rate (m ³ /h)	Maximum pressure (mm H ₂ O)	Approx. weight (kg)	Mounting version	According to ErP
		230 V	400 V	690 V						
CMP-1435-X-10 IE3	1670		13.90	8.06	7.50	7250	170	125	A	2015
CMP-1640-X-4 IE3	1000	10.70	6.15		3.00	6650	65	99	A	2015
CMP-1640-X-5.5 IE3	1100	13.90	8.00		4.00	7350	80	108	A	2015
CMP-1640-X-7.5 IE3	1230		10.30	5.97	5.50	8200	100	143	A	2015
CMP-1640-X-10 IE3	1350		13.90	8.06	7.50	9000	120	143	A	2015
CMP-1845-X-5.5 IE3	1020	13.90	8.00		4.00	7250	115	118	A	2015
CMP-1845-X-7.5 IE3	1130		10.30	5.97	5.50	8000	140	153	A	2015
CMP-1845-X-10 IE3	1260		13.90	8.06	7.50	8950	170	153	A	2015
CMP-1845-X-15 IE3	1430		20.90	12.10	11.00	10150	220	200	B	2015
CMP-1845-X-20 IE3	1620		27.90	16.20	15.00	11500	285	208	B	2015
CMP-2050-X-7.5 IE3	900		10.30	5.97	5.50	11700	105	173	A	2015
CMP-2050-X-10 IE3	1000		13.90	8.06	7.50	13000	130	173	A	2015
CMP-2050-X-15 IE3	1130		20.90	12.10	11.00	14700	165	220	A	2015
CMP-2050-X-20 IE3	1270		27.90	16.20	15.00	16550	210	228	A	2015
CMP-2563-X-7.5 IE3	650		10.30	5.97	5.50	14200	65	253	A	2015
CMP-2563-X-10 IE3	720		13.90	8.06	7.50	15750	80	253	A	2015
CMP-2563-X-15 IE3	820		20.90	12.10	11.00	17950	105	300	A	2015
CMP-2563-X-20 IE3	920		27.90	16.20	15.00	20100	135	308	A	2015
CMP-2563-X-25 IE3	990		35.10	20.30	18.50	21650	155	362	B	2015
CMP-2563-X-30 IE3	1040		41.00	23.80	22.00	22750	170	368	B	2015

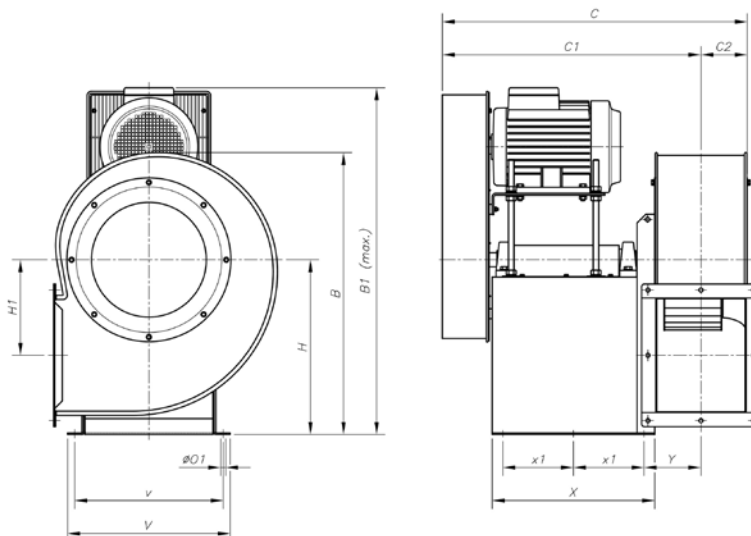


Erp. (Energy Related Products)

Information on Directive 2009/125/EC can be downloaded from the SODECA website or the QuickFan selector programme.

Dimensions mm

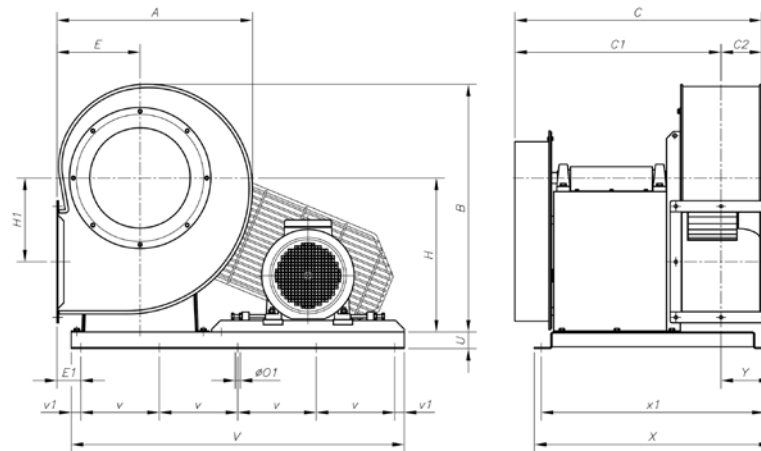
CMP-X-922...2563
Assembly A



	A	B	B1	C	C1	C2	E	H	H1	øO1	V	v	X	X1	Y
CMP-922-X	388.5	455	655	589	515.5	73.5	180	280	134	12	340	310	350	150	100
CMP-1025-X	427	503	690	614	528	86	197	310	144	12	340	310	350	150	112.5
CMP-1128-X	472	553	725	660	566.5	93.5	216	340	152	12	350	320	380	160	125
CMP-1231-X	526	630	775	680	576.5	103.5	238	390	179.5	12	380	350	380	160	135
CMP-1435-X	573.5	715	940	838	720	118	250	445	242.5	12	440	400	460	200	149
CMP-1640-X	634	799	990	862	732	130	270	495	271	12	460	420	460	200	161
CMP-1845-X	711	901	1055	896	749	147	302	560	305	12	500	460	460	200	178
CMP-2050-X	797	987	1215	1068	905.5	162.5	345	610	313	14	540	500	600	275	189.5
CMP-2563-X	1027	1213	1350	1165	954	211	460	742	378.5	14	590	540	600	275	238

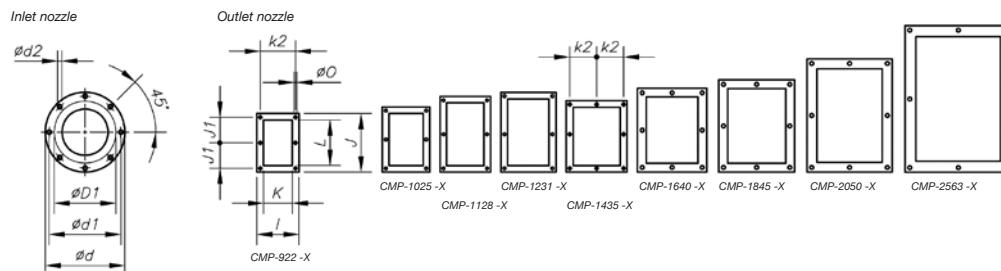
Dimensions mm

CMP-X-1128...2563 Assembly B



	A	B	C	C1	C2	E	E1	H	H1	øO1	U	V	v(*)	v1	X	X1	Y
CMP-1128-X	472	553	704	610.5	93.5	216	71	340	152	12	35	885	275	30	630	600	118
CMP-1231-X	526	630	724	620.5	103.5	238	118	390	179.5	12	35	980	280	70	660	630	138
CMP-1845-X	711	901	896	749	147	302	87	560	305	18	60	1210	285	35	860	810	182
CMP-2563-X	1027	1213	1165	954	211	460	195	742	378.5	18	60	1320	315	30	1200	1150	317

* Mod. 1128 - 1231 = 4 holes. Mod. 1458 - 2563 = 5 holes.



	øD1	ød	ød1	ød2	I	J	J1	K	k1	k2	L	øO
CMP-922-X	224	278	256	M8	204	282.5	128	140	-	180	215	9.5
CMP-1025-X	250	305	282	M8	229	312.5	145	165	-	205	250	9.5
CMP-1128-X	280	348	320	M8	244	364	170	180	-	220	296.5	9.5
CMP-1231-X	315	382	354	M8	264	382.5	180	200	-	240	320	11.5
CMP-1435-X	355	422	394	M8	292	342.5	159	228	133	-	280	11.5
CMP-1640-X	400	464	438	M8	336	404	185	250	150	-	321	11.5
CMP-1845-X	450	515	485	M8	370	444	202	284	164	-	361	11.5
CMP-2050-X	500	565	535	M10	411	544	250	315	182.5	-	451	11.5
CMP-2563-X	630	710	675	M12	512	706	330	410	230	-	600	17

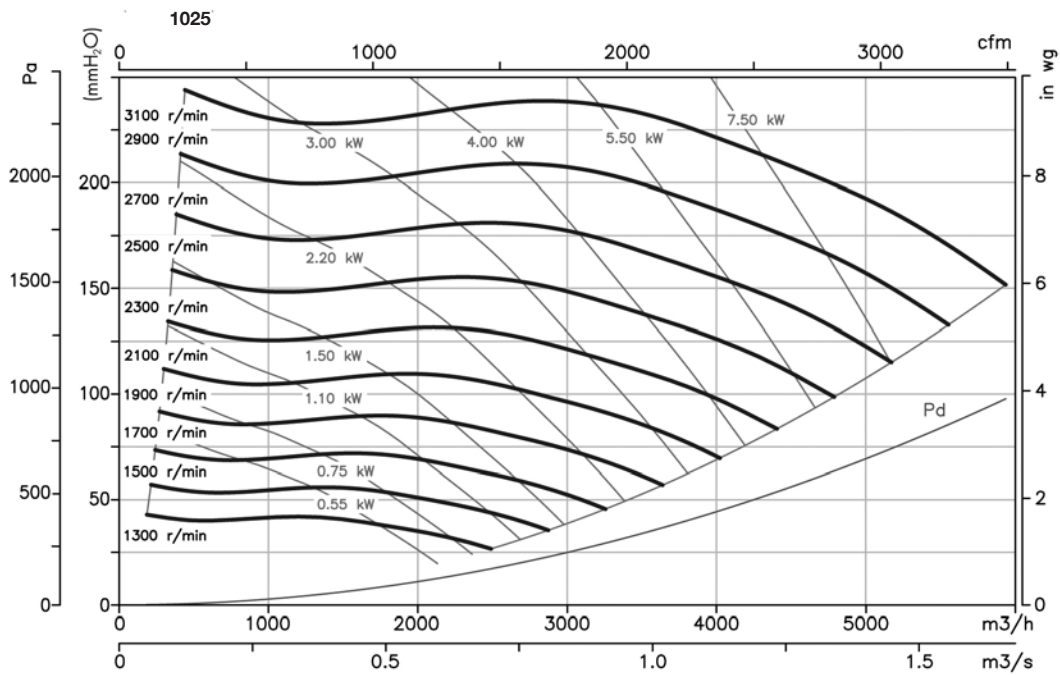
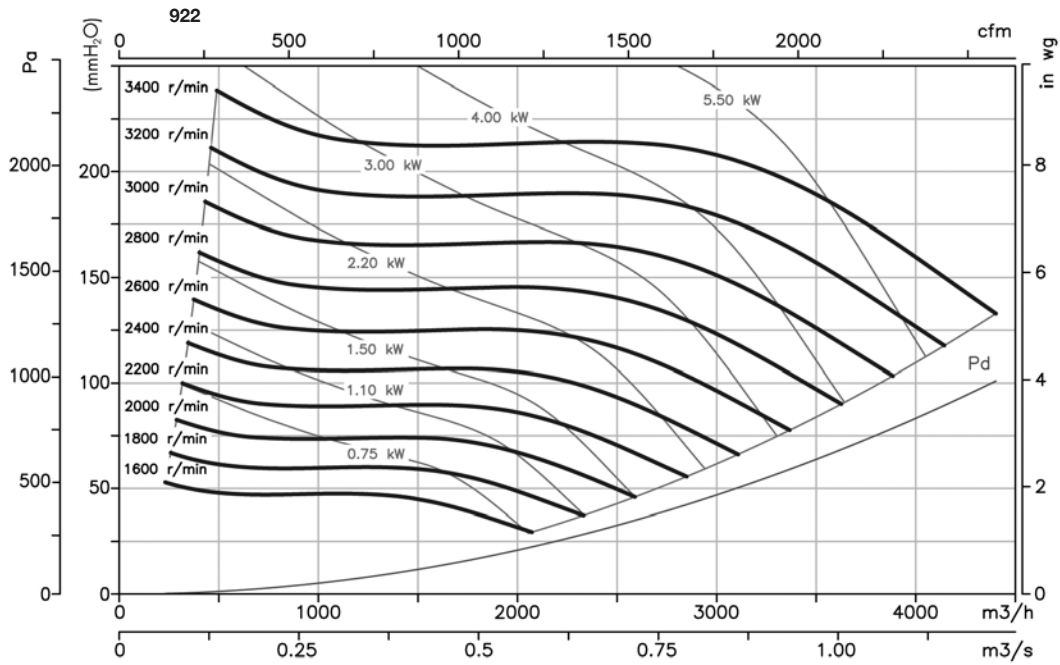
* Recommended nominal tube diameter

CENTRIFUGAL FANS AND IN-LINE DUCT EXTRACTOR FANS

Characteristic curves

Q= Flow rate in m³/h, m³/s and cfm

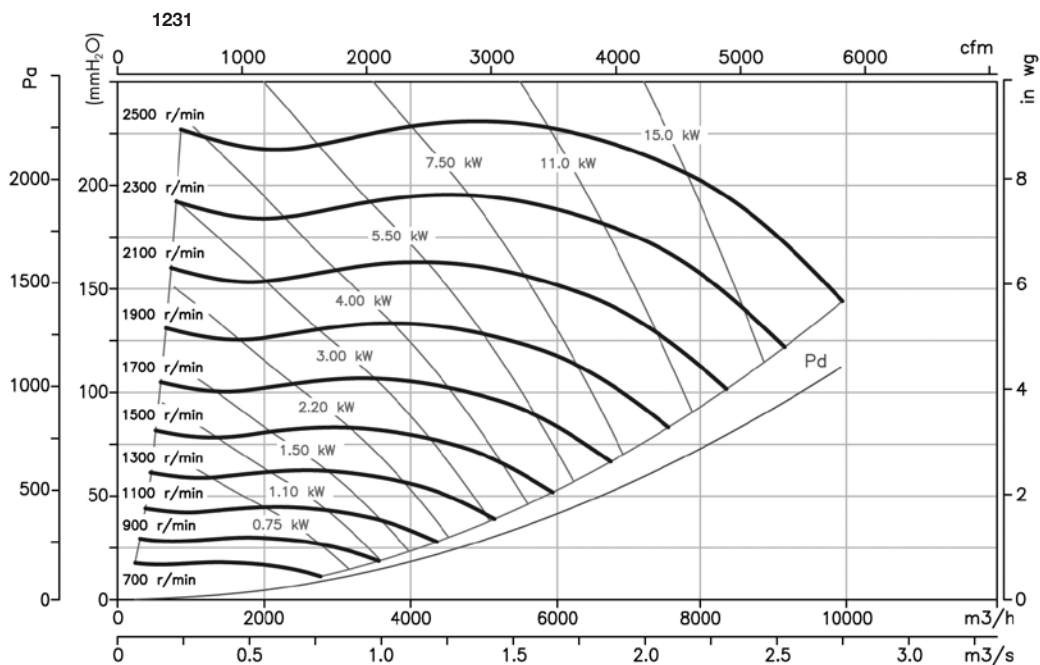
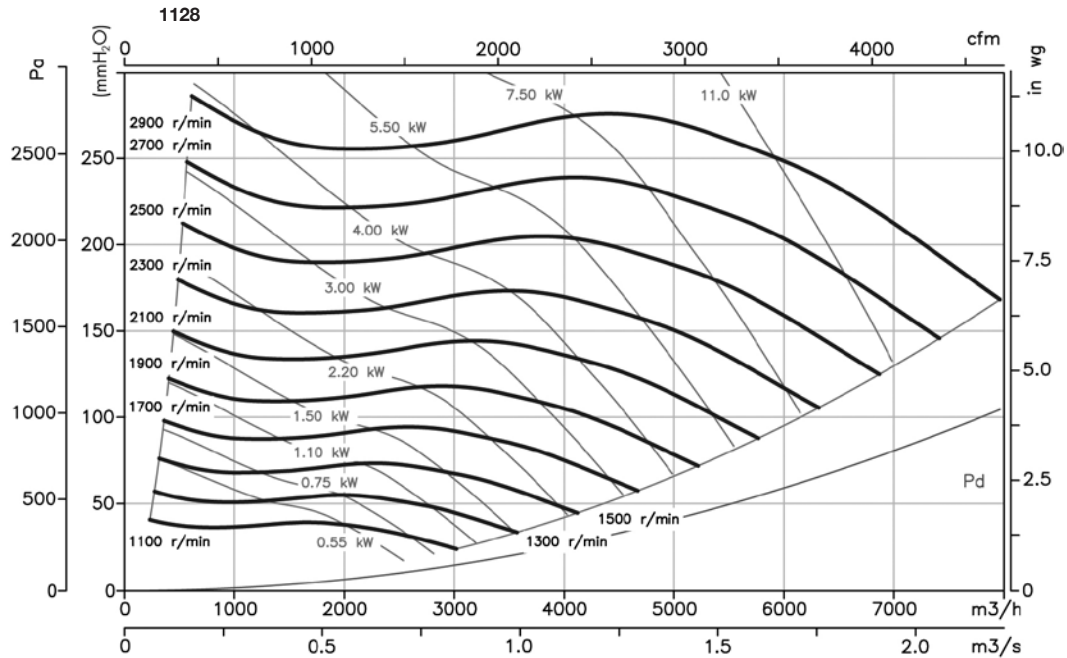
Pe= Static pressure in mm H₂O, Pa and inwg



Characteristic curves

Q= Flow rate in m³/h, m³/s and cfm

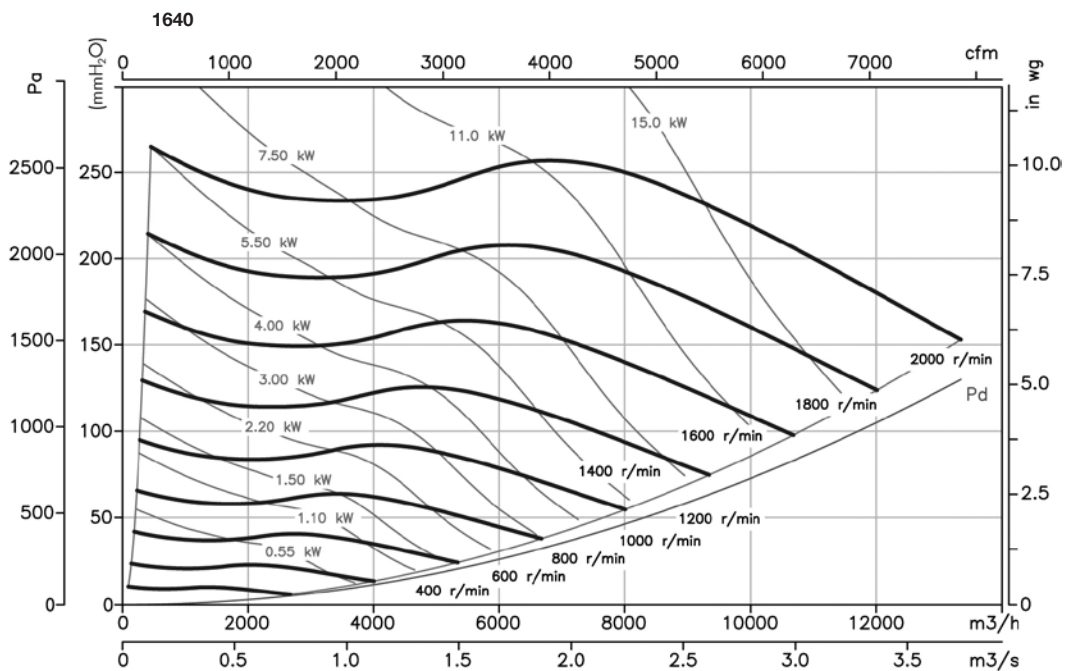
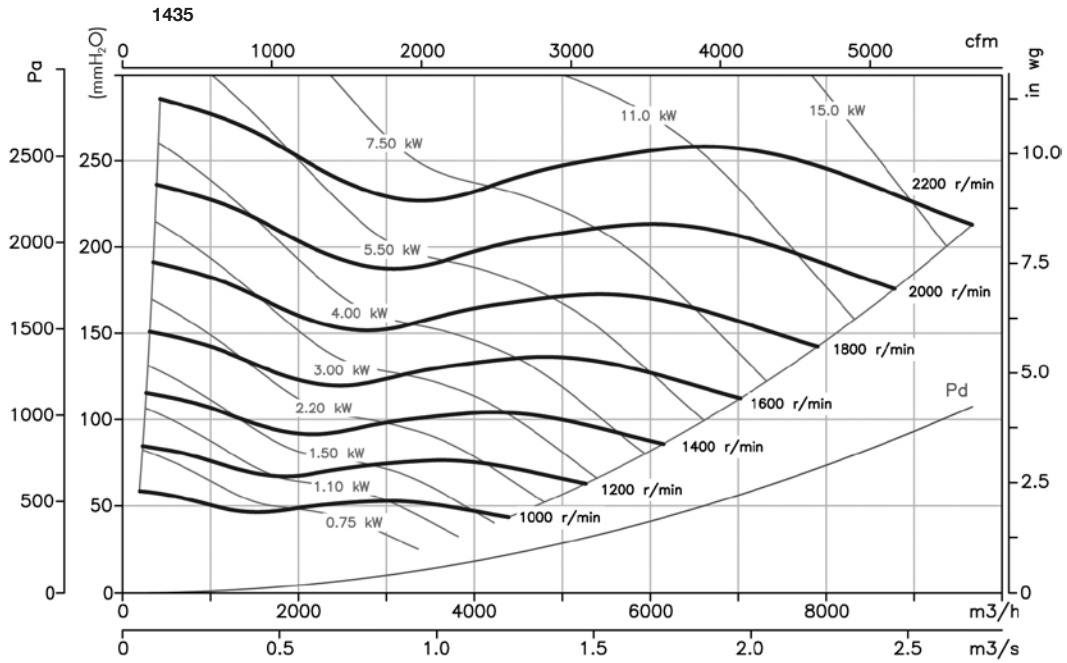
Pe= Static pressure in mm H₂O, Pa and inwg



Characteristic curves

Q= Flow rate in m³/h, m³/s and cfm

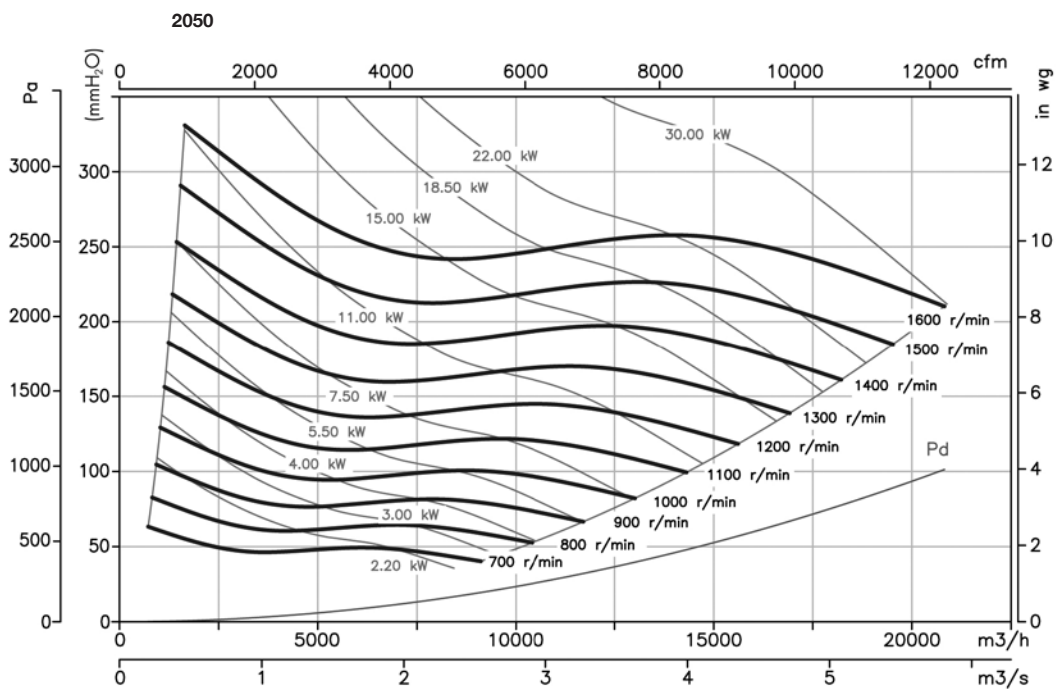
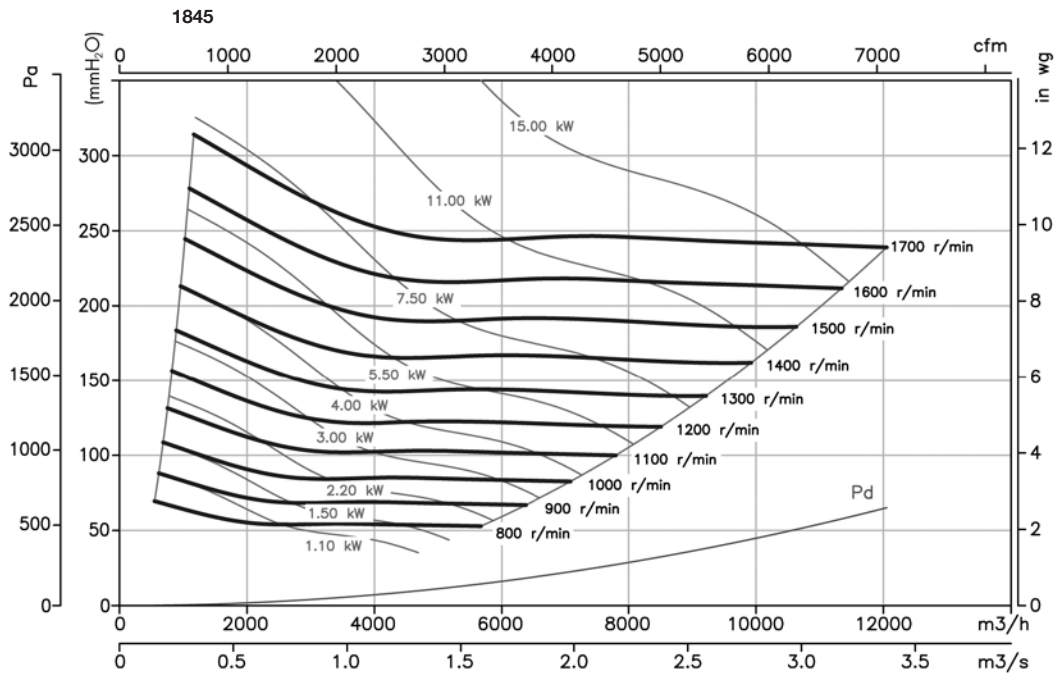
Pe= Static pressure in mm H₂O, Pa and inwg



Characteristic curves

Q= Flow rate in m³/h, m³/s and cfm

Pe= Static pressure in mm H₂O, Pa and inwg

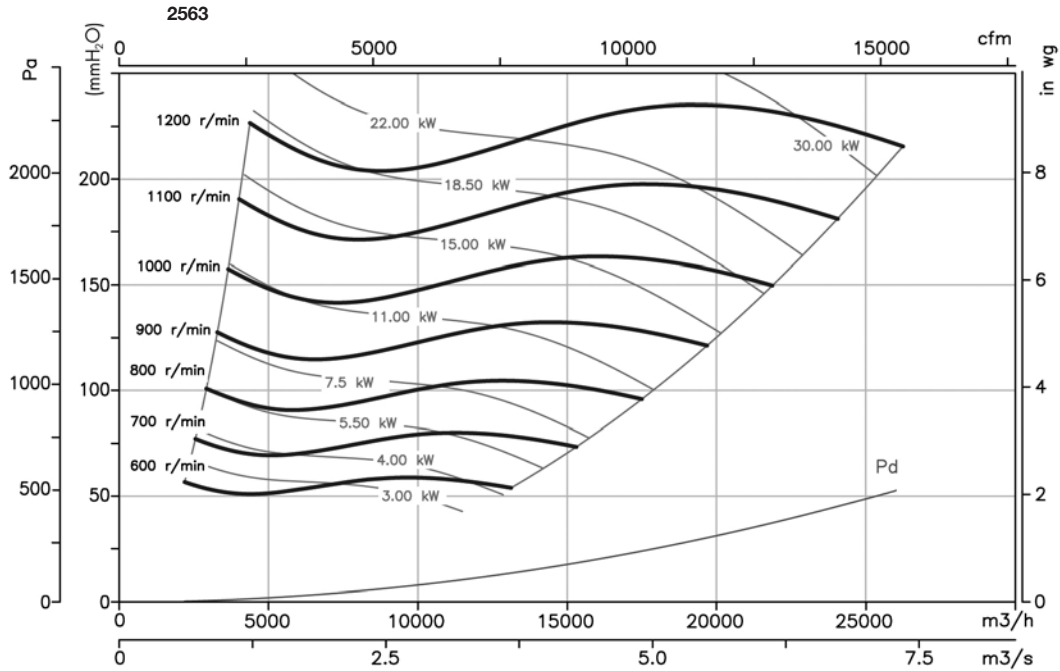


CENTRIFUGAL FANS AND IN-LINE DUCT EXTRACTOR FANS

Characteristic curves

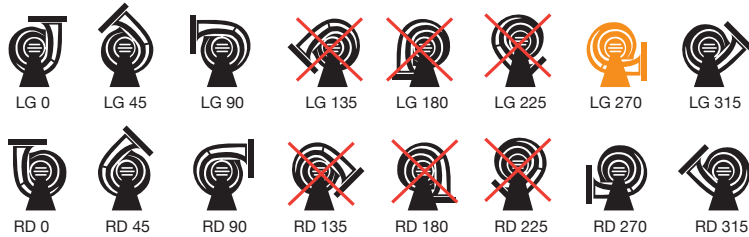
Q= Flow rate in m³/h, m³/s and cfm

Pe= Static pressure in mm H₂O, Pa and inwg



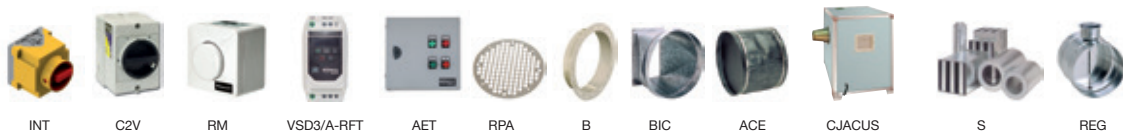
Orientation

Standard supply LG 270



Accessories

See accessories section.



CMSH



Medium pressure centrifugal fans with backward-curved impeller and a heat-resistant compartment with a mineral fibre coating.



Fan:

- Sheet steel structure.
- Impeller with reaction blades made of sheet steel.
- Heat-resistant compartment with high-density mineral fibre and high thermal and acoustic insulation power.
- With 30 mm thick mineral fibre.

Motor:

- IE3 efficiency motors for powers equal to or greater than 0.75 kW except single-phase, 2-speed and 8-pole.
- Class F motors with ball bearings and IP55 protection.
- Three-phase 230/400 V - 50 Hz (up to 4 kW) and 400/690 V - 50 Hz (powers higher than 4 kW).

- Maximum temperature of air to be carried: -20 °C +250 °C.

Finish:

- Treated with heat-resistant paint.

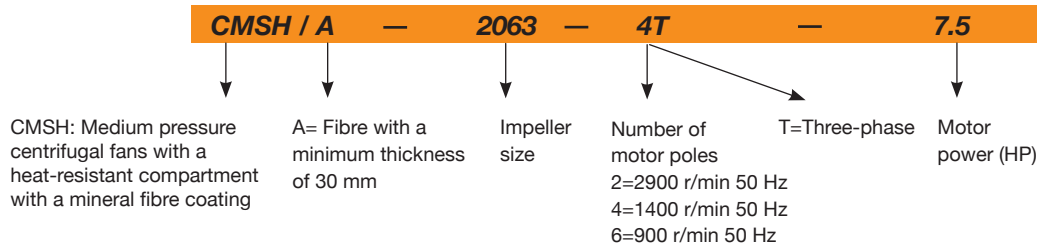
On request:

- Special windings for different voltages.
- Construction entirely of stainless steel.



Compartment insulated with high thermal insulation mineral fibre.

Order code



Technical characteristics

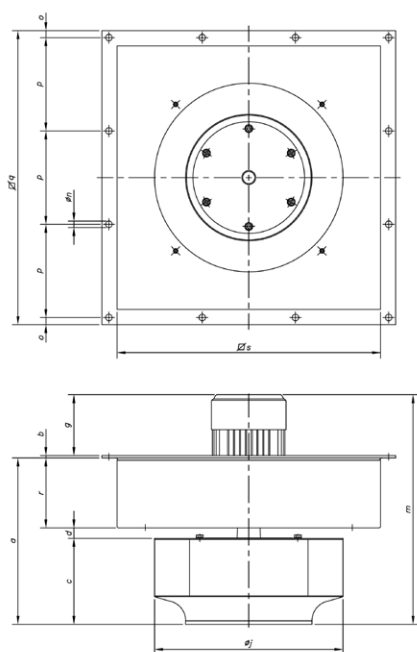
Model	Speed (r/min)	Maximum admissible current (A)			Installed power (kW)	Maximum flow rate (m³/h)	Sound pressure level dB(A)	Approx. weight (kg)
		230 V	400 V	690 V				
CMSH-831-2T-2 IE3	2875	5.34	3.07		1.50	2650	65	31
CMSH-935-2T-2 IE3	2875	5.34	3.07		1.50	3660	70	39
CMSH-1040-4T-1.5 IE3	1455	4.07	2.34		1.10	2660	57	36
CMSH-1145-4T-1.5 IE3	1455	4.07	2.34		1.10	3940	61	58
CMSH-1240-4T-1.5 IE3	1455	4.07	2.34		1.10	5300	62	57
CMSH-1445-4T-2 IE3	1440	5.41	3.11		1.50	8450	70	69
CMSH-1650-4T-3 IE3	1435	7.93	4.56		2.20	10900	71	80
CMSH-1856-4T-5.5 IE3	1450	13.90	8.00		4.00	17100	77	93
CMSH-2063-4T-7.5 IE3	1465		10.30	5.97	5.50	19200	77	150
CMSH-2063-6T-3 IE3	950	9.08	5.22		2.20	13600	66	125
CMSH-2271-4T-15 IE3	1470		20.90	12.10	11.00	31000	83	196
CMSH-2271-4T-20 IE3	1465		27.90	16.20	15.00	34600	85	205
CMSH-2271-6T-5.5 IE3	960	15.60	8.99		4.00	21900	75	150
CMSH-2380-4T-30 IE3	1470		41.00	23.80	22.00	47600	86	266
CMSH-2380-6T-15 IE3	975		21.90	12.70	11.00	30900	78	279

Acoustic characteristics

Sound power spectrum Lw(A) in dB(A) per Hz frequency band

	63	125	250	500	1000	2000	4000	8000		63	125	250	500	1000	2000	4000	8000
CMSH-831-2T-2	54	63	68	68	72	71	64	58	CMSH-2063-4T-7.5	66	72	91	86	86	86	83	74
CMSH-935-2T-2	59	68	73	73	77	76	69	63	CMSH-2063-6T-3	58	69	76	77	78	77	71	61
CMSH-1040-4T-1.5	50	56	61	62	65	67	59	53	CMSH-2271-4T-15	73	79	97	96	94	94	91	83
CMSH-1145-4T-1.5	56	62	67	68	71	73	65	59	CMSH-2271-4T-20	75	81	99	98	96	96	93	85
CMSH-1240-4T-1.5	46	59	61	73	69	67	64	56	CMSH-2271-6T-5.5	65	78	79	83	92	86	82	71
CMSH-1445-4T-2	55	65	78	81	79	79	75	65	CMSH-2380-4T-30	76	82	100	99	97	97	94	86
CMSH-1650-4T-3	52	65	79	79	82	80	77	67	CMSH-2380-6T-15	68	81	82	86	95	89	85	74
CMSH-1856-4T-5.5	64	71	88	88	87	87	86	83									

Dimensions mm



	a	b	c	d	g	øj	m	øñ	o	p	□q	r	□s
CMSH-831-2T-2	253.5	3	83	20.5	174	315	432	9	15	150	480	150	400
CMSH-935-2T-2	265.5	3	93.5	22	186	350	454.5	14	20	188	604	150	495
CMSH-1040-4T-1.5	273.5	3	103.5	22	186	400	464	14	15	188	604	150	495
CMSH-1145-4T-1.5	283.5	5	114	19.5	186.5	450	475	14	15	200	630	150	565
CMSH-1240-4T-1.5	356.5	5	184	22.5	130.5	404	492	14	15	200	630	150	565
CMSH-1445-4T-2	397.5	5	220	27.5	186.6	458	589	14	15	200	630	150	565
CMSH-1650-4T-3	428	5	248	27.5	216	508	649	14	16	236	740	150	673
CMSH-1856-4T-5.5	449.5	5	277.5	22	216	577	671	14	16	236	740	150	673
CMSH-2063-4T-7.5	470	5	299	21	277.5	644	752.5	14	19	284	890	150	813
CMSH-2063-6T-3	470	5	299	21	239.5	644	714.5	14	19	284	890	150	813
CMSH-2271-4T-15	500	5	330	20	395.5	719	900.5	14	19	284	890	150	813
CMSH-2271-4T-20	500	5	330	20	395.5	719	900.5	14	19	284	890	150	813
CMSH-2271-6T-5.5	466	5	295	21	277.5	719	748.5	14	19	284	890	150	813
CMSH-2380-4T-30	538.5	5	366	22.5	538.5	808	1056	14	19	248	1030	150	953
CMSH-2380-6T-15	538.5	5	366	22.5	395.5	808	939	14	19	248	1030	150	953

Accessories

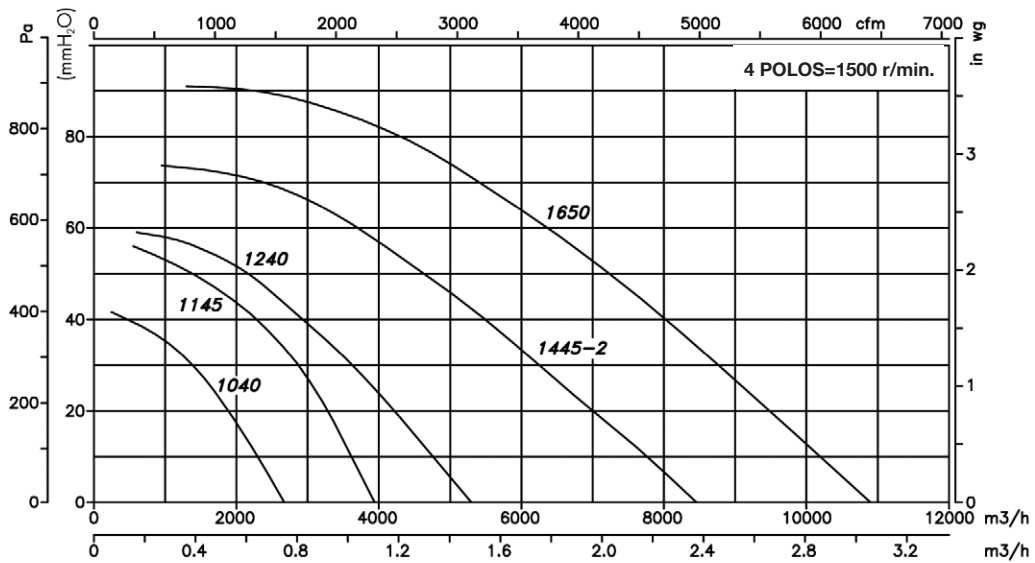
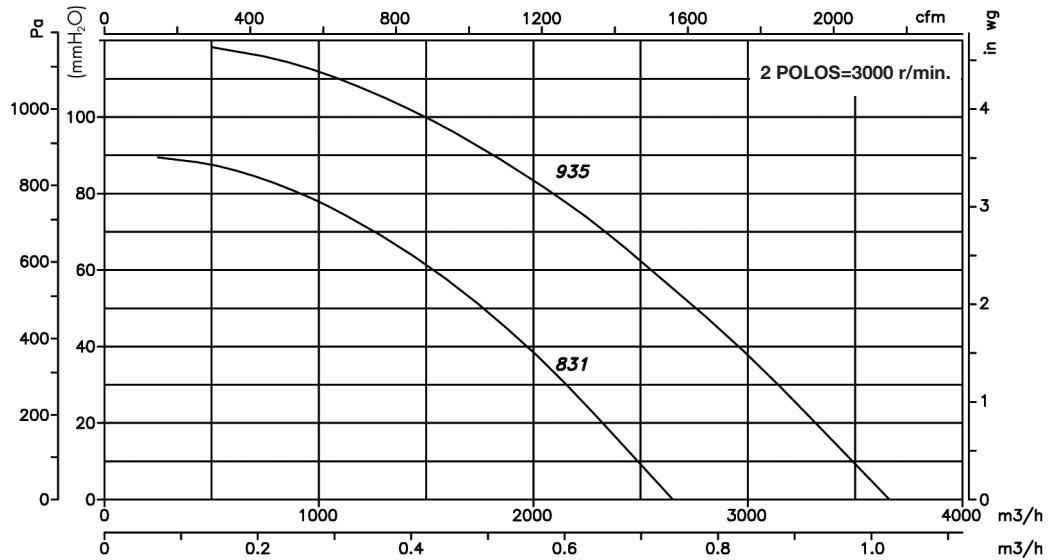
See accessories section.



Characteristic curves

Q= Flow rate in m³/h, m³/s and cfm

Pe= Static pressure in mm H₂O, Pa and inwg

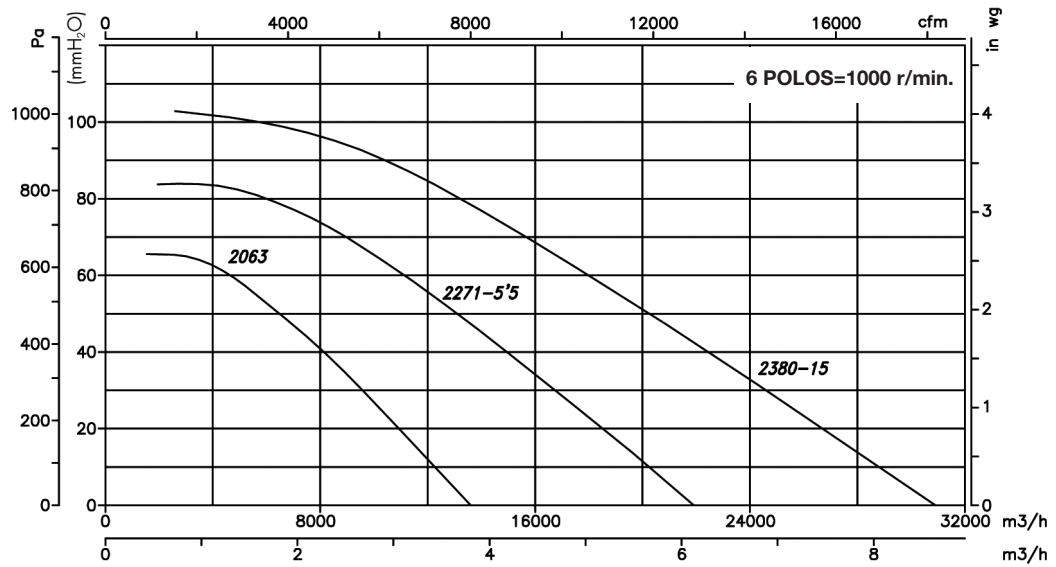
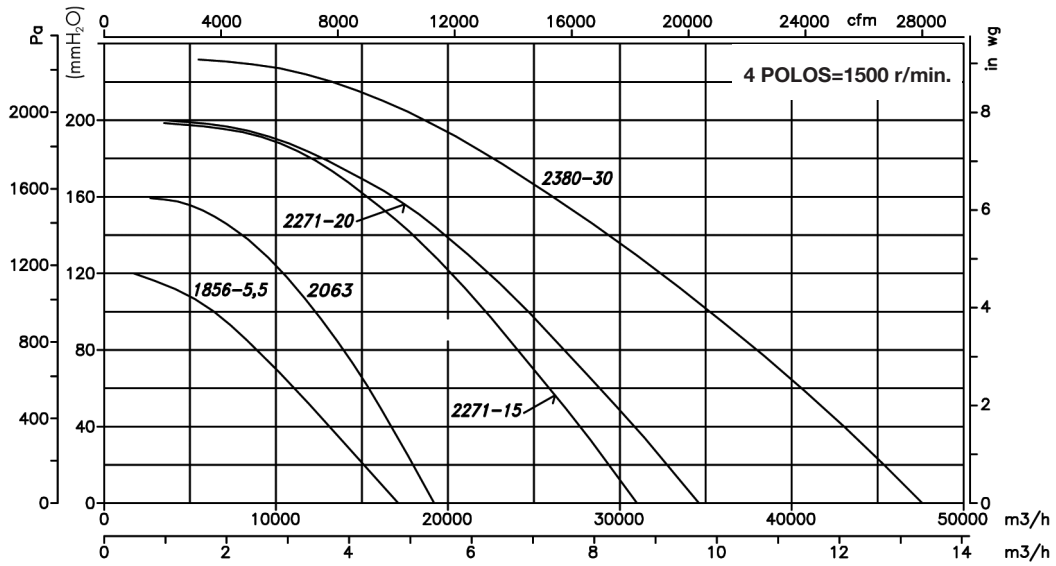


CENTRIFUGAL FANS AND IN-LINE DUCT EXTRACTOR FANS

Characteristic curves

Q= Flow rate in m³/h, m³/s and cfm

Pe= Static pressure in mm H₂O, Pa and inwg



CMPH



Medium pressure centrifugal fans fitted with multiblade impeller and heat-resistant compartment with a mineral fibre coating.



Fan:

- Sheet steel structure.
- Forward-curved impeller made of galvanised sheet steel.
- Heat-resistant compartment with high-density mineral fibre and high thermal and acoustic insulation power.

Motor:

- Class F motors with ball bearings and IP55 protection.
- IE3 efficiency motors for powers equal to or greater than 0.75 kW except single-phase, 2-speed and 8-pole.
- Three-phase 230/400 V - 50 Hz (up to 4 kW) and 400/690 V - 50 Hz (powers higher than 4 kW).

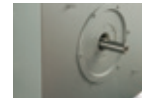
- Maximum temperature of air to be carried: -20 °C +250 °C.

Finish:

- Treated with heat-resistant paint.

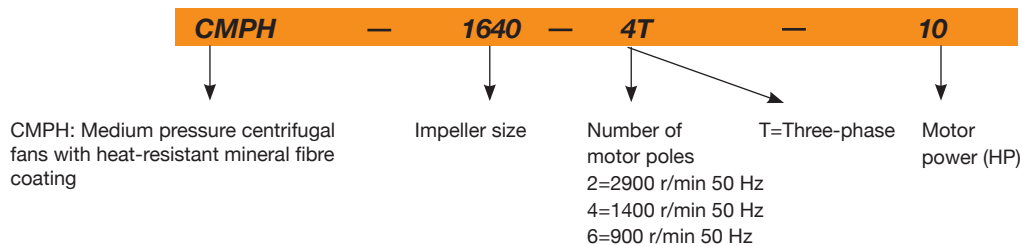
On request:

- Special windings for different voltages.
- Construction entirely of stainless steel.



Compartment insulated with high thermal insulation mineral fibre.

Order code



Technical characteristics

Model	Speed (r/min)	Maximum admissible current (A)			Installed power (kW)	Maximum flow rate (m ³ /h)	Sound pressure level dB(A)	Approx. weight (kg)
		230 V	400 V	690 V				
CMPH-512-2T-0.25	2750	1.21	0.70		0.18	475	62	7
CMPH-512-4T-0.16	1320	0.96	0.56		0.12	255	55	7
CMPH-514-2T-0.25	2750	1.21	0.70		0.18	800	65	11
CMPH-514-4T-0.16	1320	0.96	0.56		0.12	565	58	11
CMPH-616-2T-0.5	2710	1.92	1.11		0.37	1380	69	13
CMPH-616-4T-0.16	1320	0.96	0.56		0.12	850	61	11
CMPH-620-2T-0.5	2710	1.92	1.11		0.37	765	68	15
CMPH-620-4T-0.16	1320	0.96	0.56		0.12	810	61	13
CMPH-718-2T-1 IE3	2825	2.80	1.62		0.75	1485	70	23
CMPH-718-4T-0.33	1350	1.52	0.88		0.25	1280	63	15
CMPH-820-2T-1.5 IE3	2830	4.03	2.34		1.10	1950	73	21
CMPH-820-4T-0.33	1350	1.52	0.88		0.25	1670	66	15
CMPH-922-2T-1.5 IE3	2830	4.03	2.34		1.10	1650	70	25
CMPH-922-2T-2 IE3	2875	5.34	3.07		1.50	2010	71	31
CMPH-922-2T-3 IE3	2910	7.32	4.21		2.20	2600	74	34
CMPH-922-4T-0.75	1380	2.92	1.69		0.55	2450	66	22
CMPH-1025-2T-3 IE3	2910	7.32	4.21		2.20	2100	73	35
CMPH-1025-2T-4 IE3	2910	10.00	5.77		3.00	2830	77	41

CENTRIFUGAL FANS AND IN-LINE DUCT EXTRACTOR FANS

Technical characteristics

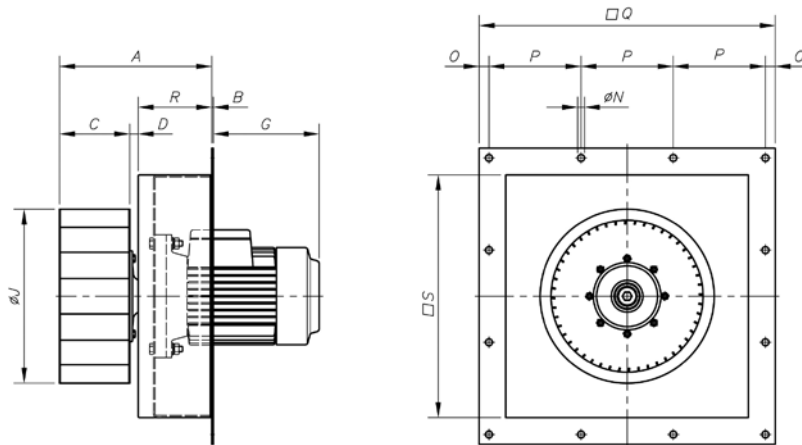
Model	Speed (r/min)	Maximum admissible current (A)			Installed power (kW)	Maximum flow rate (m³/h)	Sound pressure level dB(A)	Approx. weight (kg)
		230 V	400 V	690 V				
CMPH-1025-4T-1.5 IE3	1455	4.07	2.34		1.10	3400	70	31
CMPH-1128-2T-4 IE3	2910	10.00	5.77		3.00	2220	77	46
CMPH-1128-2T-5.5 IE3	2900	13.00	7.50		4.00	3210	81	59
CMPH-1128-4T-3 IE3	1435	7.93	4.56		2.20	5000	74	45
CMPH-1128-6T-1 IE3	940	3.36	1.93		0.75	3300	60	39
CMPH-1231-4T-3 IE3	1435	7.93	4.56		2.20	4740	73	45
CMPH-1231-4T-4 IE3	1440	10.70	6.15		3.00	5910	75	51
CMPH-1231-4T-5.5 IE3	1450	13.90	8.00		4.00	6850	77	53
CMPH-1231-6T-2 IE3	950	6.43	3.70		1.50	5115	64	47
CMPH-1435-4T-4 IE3	1440	10.70	6.15		3.00	5560	76	52
CMPH-1435-4T-5.5 IE3	1450	13.90	8.00		4.00	6260	78	55
CMPH-1435-4T-7.5 IE3	1465		10.30	5.97	5.50	7210	80	90
CMPH-1435-6T-3 IE3	950	9.08	5.22		2.20	6400	66	54
CMPH-1640-4T-5.5 IE3	1450	13.90	8.00		4.00	7500	77	67
CMPH-1640-4T-7.5 IE3	1465		10.30	5.97	5.50	8035	80	102
CMPH-1640-4T-10 IE3	1465		13.90	8.06	7.50	9710	82	106
CMPH-1640-6T-3 IE3	950	9.08	5.22		2.20	8100	71	66
CMPH-1845-4T-7.5 IE3	1465		10.30	5.97	5.50	8965	82	113
CMPH-1845-4T-10 IE3	1465		13.90	8.06	7.50	10350	85	117
CMPH-1845-6T-3 IE3	950	9.08	5.22		2.20	8330	77	77
CMPH-2050-4T-10 IE3	1465		13.90	8.06	7.50	9000	83	128
CMPH-2050-4T-15 IE3	1470		20.90	12.10	11.00	12525	87	156
CMPH-2050-4T-20 IE3	1465		27.90	16.20	15.00	19000	89	167
CMPH-2050-6T-5.5 IE3	960	15.60	8.99		4.00	11000	79	122
CMPH-2563-6T-15 IE3	975		21.90	12.70	11.00	16500	86	202
CMPH-2563-6T-25 IE3	980		35.90	20.80	18.50	28000	87	306

Acoustic characteristics

Sound power spectrum Lw(A) in dB(A) per Hz frequency band

	63	125	250	500	1000	2000	4000	8000		63	125	250	500	1000	2000	4000	8000
CMPH-512-2T-0.25	37	47	58	65	69	66	64	57	CMPH-1128-6T-1	35	45	56	63	67	64	62	55
CMPH-512-4T-0.16	30	40	51	58	62	59	57	50	CMPH-1231-4T-3	51	60	71	78	82	80	78	71
CMPH-514-2T-0.25	40	50	61	68	72	69	67	60	CMPH-1231-4T-4	53	62	73	80	84	82	80	73
CMPH-514-4T-0.16	33	43	54	61	65	62	60	53	CMPH-1231-4T-5.5	55	64	75	82	86	84	82	75
CMPH-616-2T-0.5	44	54	65	72	76	73	71	64	CMPH-1231-6T-2	42	51	62	69	73	71	69	62
CMPH-616-4T-0.16	36	46	57	64	68	65	63	56	CMPH-1435-4T-4	54	63	74	81	85	83	81	74
CMPH-620-2T-0.5	43	53	64	71	75	72	70	63	CMPH-1435-4T-5.5	56	65	76	83	87	85	83	76
CMPH-620-4T-0.16	36	46	57	64	68	65	63	56	CMPH-1435-4T-7.5	58	67	78	85	89	87	85	78
CMPH-718-2T-1	45	55	66	73	77	74	72	65	CMPH-1435-6T-3	44	53	64	71	75	73	71	64
CMPH-718-4T-0.33	38	48	59	66	70	67	65	58	CMPH-1640-4T-5.5	55	64	75	82	86	84	82	75
CMPH-820-2T-1.5	48	58	69	76	80	77	75	68	CMPH-1640-4T-7.5	58	67	78	85	89	87	85	78
CMPH-820-4T-0.33	41	51	62	69	73	70	68	61	CMPH-1640-4T-10	60	69	80	87	91	89	87	80
CMPH-922-2T-1.5	45	55	66	73	77	74	72	65	CMPH-1640-6T-3	49	58	69	76	80	78	76	69
CMPH-922-2T-2	46	56	67	74	78	75	73	66	CMPH-1845-4T-7.5	61	71	82	89	93	91	89	81
CMPH-922-2T-3	49	59	70	77	81	78	76	69	CMPH-1845-4T-10	64	74	85	92	96	94	92	84
CMPH-922-4T-0.75	41	51	62	69	73	70	68	61	CMPH-1845-6T-3	56	66	77	84	88	86	84	76
CMPH-1025-2T-3	48	58	69	76	80	77	75	68	CMPH-2050-4T-10	62	72	83	90	94	92	90	82
CMPH-1025-2T-4	52	62	73	80	84	81	79	72	CMPH-2050-4T-15	66	76	87	94	98	96	94	86
CMPH-1025-4T-1.5	45	55	66	73	77	74	72	65	CMPH-2050-4T-20	68	78	89	96	100	98	96	88
CMPH-1128-2T-4	52	62	73	80	84	81	79	72	CMPH-2050-6T-5.5	58	68	79	86	90	88	86	78
CMPH-1128-2T-5.5	56	66	77	84	88	85	83	76	CMPH-2563-6T-15	67	77	88	95	99	96	94	87
CMPH-1128-4T-3	49	59	70	77	81	78	76	69	CMPH-2563-6T-25	68	78	89	96	100	97	95	88

Dimensions mm



	A	B	C	D	G Max.	øJ	øN	O	P	Q	R	S
CMPH-512	108	3	50.5	6.5	159	120	7	12	97	315	50	260
CMPH-514	158.5	3	51.5	7	109	140	7	10	125	395	100	340
CMPH-616	169.5	3	62	6.5	155	160	7	10	125	395	100	353
CMPH-718	179.5	3	74	5	180	180	7	10	125	395	100	340
CMPH-620-2T-0.5	167	3	62	5	155	200	7	10	125	395	100	340
CMPH-620-4T-0.14	167	3	62	9	155	200	7	10	125	395	100	340
CMPH-820	187	3	82	4.5	180	200	7	10	125	395	100	340
CMPH-922	246.5	3	92	4.5	186	225	9	15	150	480	150	400
CMPH-1025	256.5	3	102	4.5	210	250	9	15	150	480	150	400
CMPH-1128	279.5	3	114	15	239	280	14	20	188	604	150	495
CMPH-1231	293.5	3	128	15	239	315	14	20	188	604	150	495
CMPH-1435	310.5	3	143	17.5	277	355	14	20	188	604	150	495
CMPH-1640	332	5	163	17.5	277	404	14	15	200	630	150	565
CMPH-1845-4T-7.5	353	5	180	23.5	277	454	14	16	236	740	150	673
CMPH-1845-4T-10	353	5	180	23.5	277	454	14	16	236	740	150	673
CMPH-1845-6T-3	347	5	180	17.5	239	454	14	16	236	740	150	673
CMPH-2050	376.5	5	204	23.5	388	500	14	16	236	740	150	673
CMPH-2563-6T-15	425	5	254	22.5	555	630	14	19	284	890	150	813
CMPH-2563-6T-25	443.5	5	254	39.5	555	630	14	19	284	890	150	813

Characteristic curves

See CMP series characteristic curves.

Accessories

See accessories section.



CMAT



Medium pressure, single inlet, centrifugal fans with casing and straight blade impeller in cast aluminium, for carrying dust and solid material.



Fan:

- Cast aluminium casing.
- Straight blade impeller in cast aluminium in models 324 to 531 and in sheet steel in models 540 to 545.

Motor:

- IE3 efficiency motors for powers equal to or greater than 0.75 kW except single-phase, 2-speed and 8-pole.
- Class F motors with ball bearings and IP55 protection.
- Three-phase 230/400 V - 50 Hz.
- Maximum temperature of air to be carried: -20 °C +120 °C.

Finish:

- Anti-corrosive finish of polyester resin polymerised at 190 °C, previously degreased with phosphate-free nanotechnological treatment.

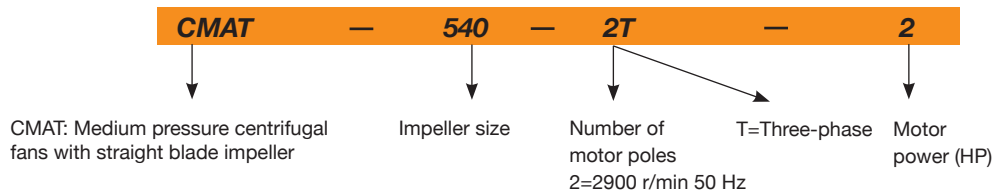
On request:

- Special windings for different voltages.
- Fan prepared for air transmission of up to 250 °C.
- ATEX-certified Category 2.



Different options for impulsion positions

Order code



Technical characteristics

Model	Speed (r/min)	Maximum admissible current (A)		Installed power (kW)	Maximum flow rate (m³/h)	Sound pressure level dB(A)	Approx. weight (kg)
		230 V	400 V				
CMAT-324-2T	2750	1.21	0.70	0.18	300	70	9
CMAT-325-2T	2710	1.29	0.75	0.25	450	73	11
CMAT-426-2T	2710	1.92	1.11	0.37	650	75	12
CMAT-527-2T	2710	1.92	1.11	0.37	900	80	13
CMAT-528-2T IE3	2825	2.80	1.62	0.75	1400	80	25
CMAT-531-2T IE3	2830	4.03	2.34	1.10	1800	84	25
CMAT-540-2T-2 IE3	2875	5.34	3.07	1.50	2080	80	42
CMAT-540-2T-3 IE3	2910	7.32	4.21	2.20	2800	82	46
CMAT-545-2T-4 IE3	2910	10.00	5.77	3.00	3115	80	60

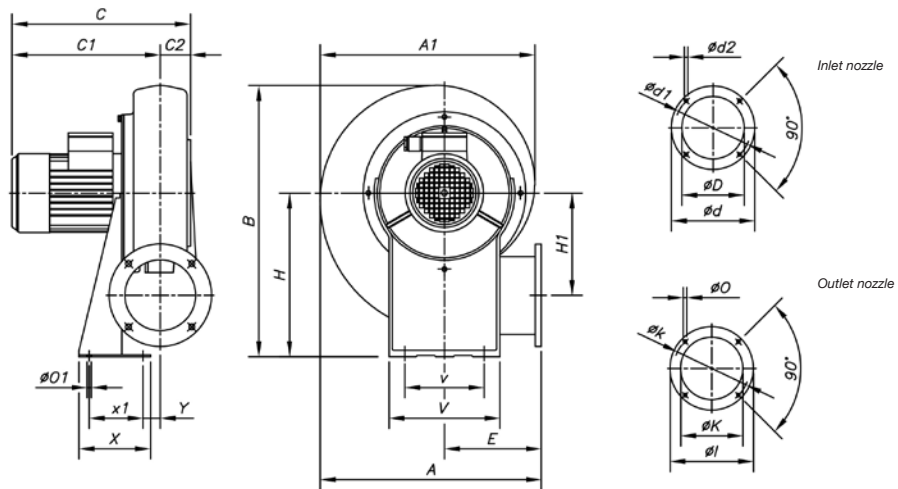
Acoustic characteristics

Sound power spectrum Lw(A) in dB(A) per Hz frequency band

	63 125 250 500 1000 2000 4000 8000								63 125 250 500 1000 2000 4000 8000								
	63	125	250	500	1000	2000	4000	8000	63	125	250	500	1000	2000	4000	8000	
324	42	48	72	79	76	69	60	52	531	51	67	90	92	89	83	77	69
325	47	54	76	80	80	75	65	56	540-2	55	76	91	86	87	83	76	68
426	42	54	78	85	77	71	63	58	540-3	57	81	89	88	92	89	83	75
527	47	61	84	90	82	75	67	61	545	62	81	87	86	87	89	82	74
528	49	64	89	85	84	79	72	65									

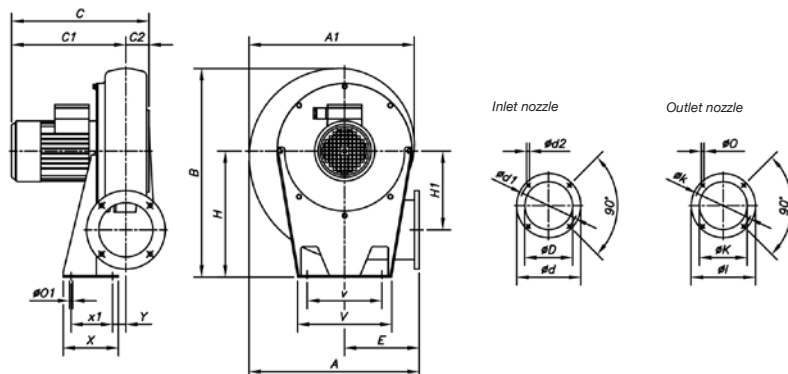
Dimensions mm

CMAT-324...528



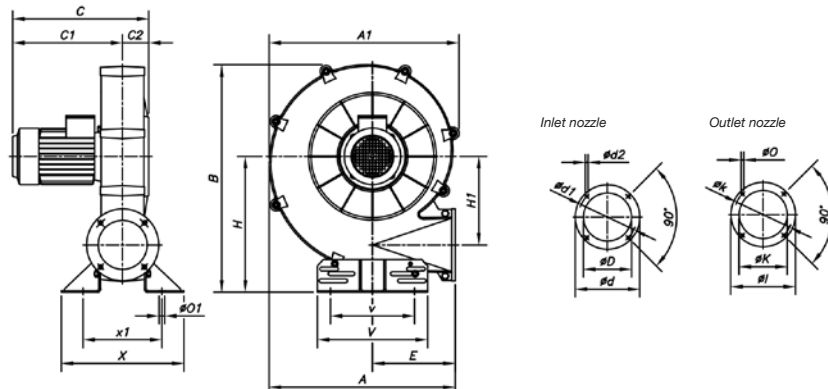
	A	A1	B	C	C1	C2	øD	ød	ød1	ød2	E	H	H1	øI	øK	øk	øO	øO1	V	v	X	x1	Y
CMAT-324	311	302	356	264	226	38	80	130	112	M5	145	205	145	108	62	90	7	9	173	125	90	60	20
CMAT-325	335	328	399	284	244	40	94	140	122	M6	155	235	152	120	80	102	7	9	180	145	110	80	20
CMAT-426	354	344	412	290	250	40	117	155	132	M6	162	240	163	140	90	119	7	13	210	160	105	65	22
CMAT-527	371	361	440	295	253	42	125	170	147	M6	168	260	170	155	100	129	7	13	220	170	120	80	17
CMAT-528	401	395	485	337	289	48	135	190	162	M6	178	288	177	190	130	160	11	13	230	180	140	100	20

CMAT-531



	A	A1	B	C	C1	C2	øD	ød	ød1	ød2	E	H	H1	øI	øK	øk	øO	øO1	V	v	X	x1	Y
CMAT-531	432	420	530	339	289	50	160	215	180	M6	189	320	200	200	140	175	11	13	226	190	160	120	19

CMAT-540...545



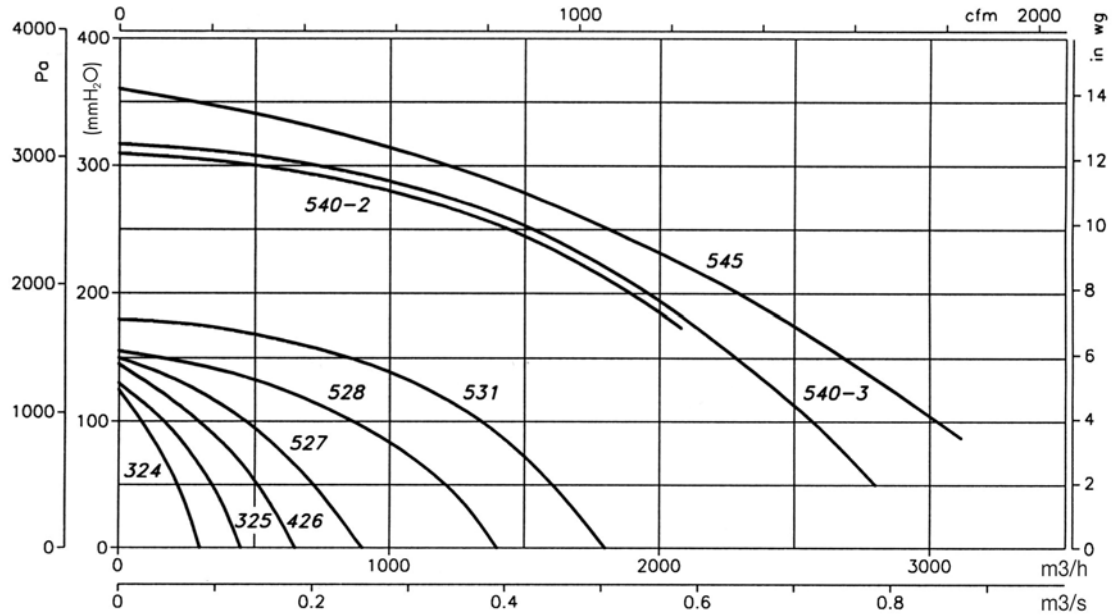
	A	A1	B	C	C1	C2	øD	ød	ød1	ød2	E	H	H1	øI	øK	øk	øO	øO1	V	v	X	x1
CMAT-540	562	550	690	403	323	80	170	240	205	M10	252	415	270	220	150	190	13	11	336	218	376	242
CMAT-545	651	646	776	483	368	115	180	255	220	M10	290	450	309	250	175	220	13	13	336	238	392	292

CENTRIFUGAL FANS AND IN-LINE DUCT EXTRACTOR FANS

Characteristic curves

Q= Flow rate in m³/h, m³/s and cfm

Pe= Static pressure in mm H₂O, Pa and inwg



Orientation

Standard supply LG 270
 LG 180 position on request and with special anchorings.



Accessories

See accessories section.



CMTS



Medium pressure, single inlet, centrifugal fans with sheet steel casing and straight blade impeller for carrying smoke and solid material.



Fan:

- Sheet steel casing.
- Straight blade impeller made of sheet steel.

Motor:

- IE3 efficiency motors for powers equal to or greater than 0.75 kW except single-phase, 2-speed and 8-pole.
- Class F motors with ball bearings and IP55 protection.
- Three-phase 230/400 V - 50 Hz (up to 4 kW) and 400/690 V - 50 Hz (powers higher than 4 kW).
- Maximum temperature of air to be carried: -20 °C +120 °C.

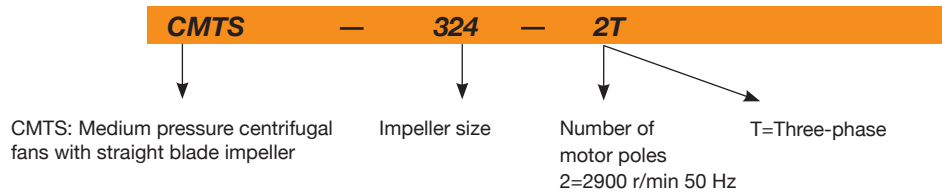
Finish:

- Anti-corrosive finish of polyester resin polymerised at 190 °C, previously degreased with phosphate-free nanotechnological treatment.

On request:

- Special windings for different voltages.
- Fan prepared for air transmission of up to 250 °C.
- ATEX-certified Category 2.

Order code

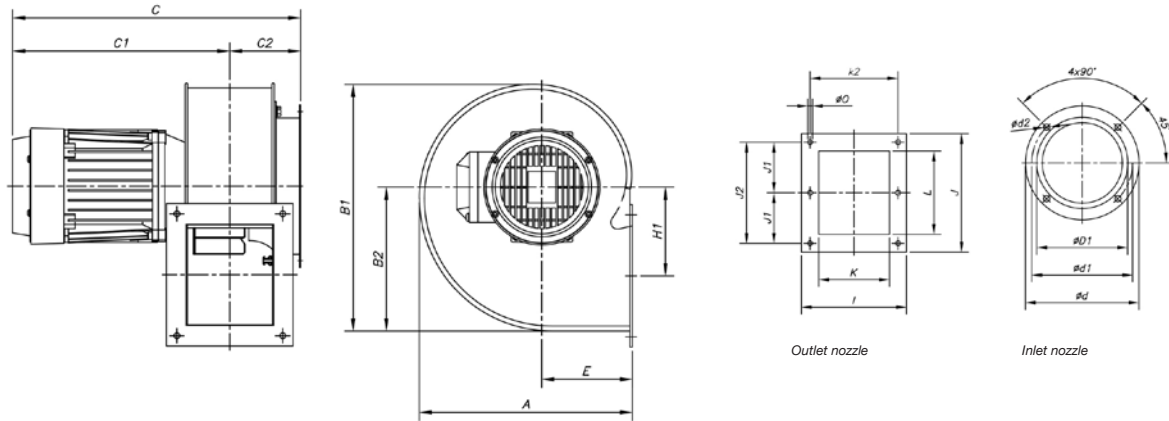


Technical characteristics

Model	Speed (r/min)	Maximum admissible current (A)		Installed power (kW)	Maximum flow rate (m ³ /h)	Sound pressure level dB(A)	Approx. weight (kg)
		230 V	400 V				
CMTS-512-2T/R	2710	1.00	0.58	0.08	338	62	4
CMTS-512-2M/R	2780	1.33		0.08	338	62	4
CMTS-514-2T/R	2710	1.00	0.58	0.18	537	65	5
CMTS-514-2M/R	2780	1.33		0.18	537	65	5
CMTS-616-2T/R	2760	2.57	1.49	0.55	802	69	8
CMTS-616-2M/R	2810	3.49		0.55	802	69	10
CMTS-718-2T/R IE3	2825	2.80	1.62	0.75	1144	70	18
CMTS-718-2M/R	2810	4.62		0.75	1144	70	13
CMTS-820-2T/R IE3	2830	4.03	2.34	1.10	1569	73	16
CMTS-820-2M/R	2820	6.51		1.10	1569	73	16

CENTRIFUGAL FANS AND IN-LINE DUCT EXTRACTOR FANS

Dimensions mm



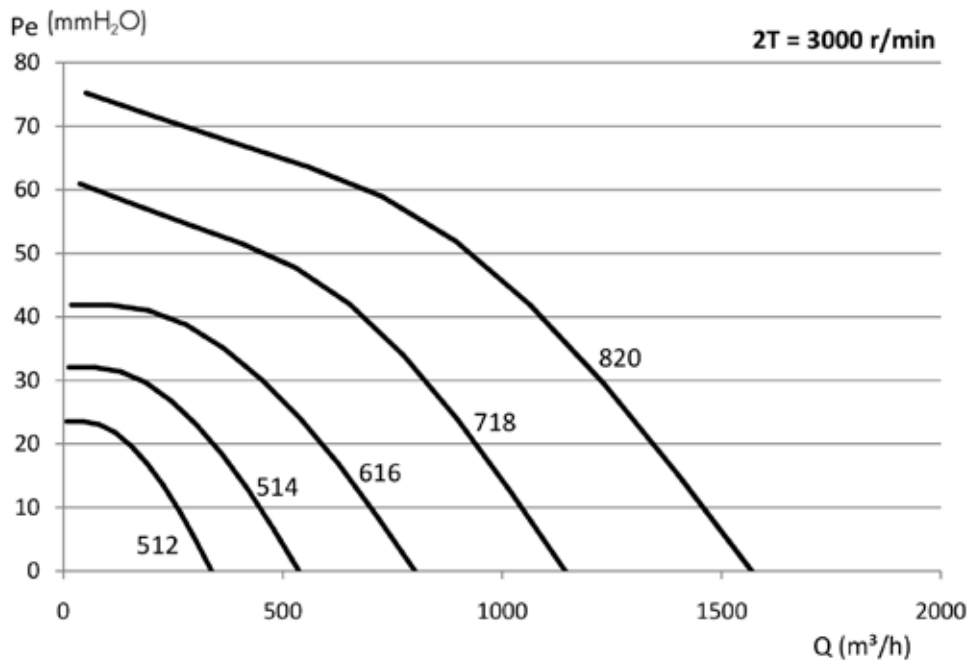
	A	B1	B2	C	C1	C2	øD1*	ød	ød1	ød2	E	H1	I	J	J1	J2	K	k2	L	øO
CMTS-512/R	185	206.5	118	295	215	79.5	112	140	132	M4	82.5	69	104	117	-	104.5	75	92	86	5.5
CMTS-514/R	225	254	150	305	220	85	140	169	151.5	M4	100	91	122	147	64	128	83	105	107	6.5
CMTS-616/R	258	297	173.5	377.5	290	87.5	160	204	180	M6	110	105.5	153	172	-	147	103	128	125	7
CMTS-718-2T/R	303.5	348	201	410	310	100	180	238	210	M6	129.5	122	169	192	85	170	115	145	146	9
CMTS-718-2M/R	303.5	348	201	465	365	100	180	238	210	M6	129.5	122	169	192	85	170	115	145	146	9
CMTS-820/R	322	377	223	420	315	105	200	247	230	M6	137.5	137	184	213	94.5	189	130	160	156	9

* Recommended nominal tube diameter

Characteristic curves

Q= Flow rate in m³/h, m³/s and cfm

Pe= Static pressure in mm H₂O, Pa and inwg



Orientation

Standard supply LG 270



CMT



Medium pressure, single inlet, centrifugal fans with sheet steel casing and straight blade impeller for carrying dust and solid material.



Fan:

- Sheet steel casing.
- Straight blade impeller made of sheet steel.

Motor:

- IE3 efficiency motors for powers equal to or greater than 0.75 kW except single-phase, 2-speed and 8-pole.
- Class F motors with ball bearings and IP55 protection.
- Three-phase 230/400 V - 50 Hz (up to 4 kW) and 400/690 V - 50 Hz (powers higher than 4 kW).
- Maximum temperature of air to be carried: -20 °C +120 °C.

Finish:

- Anti-corrosive finish of polyester resin polymerised at 190 °C, previously degreased with phosphate-free nanotechnological treatment.

On request:

- Special windings for different voltages.
- Fan prepared for air transmission of up to 250 °C.
- ATEX-certified Category 2.



Extremely robust radial impeller

Order code

CMT — 1435 — 2T — 10

CMT: Medium pressure, centrifugal fans with sheet steel straight blade impeller for transporting dust and solids

Impeller size

Number of motor poles

2=2900 r/min 50 Hz
4=1400 r/min 50 Hz

T=Three-phase

Motor power (HP)

Technical characteristics

Model	Speed (r/min)	Maximum admissible current (A)			Installed power (kW)	Maximum flow rate (m ³ /h)	Sound pressure level dB(A)	Approx. weight (kg)
		230 V	400 V	690 V				
CMT-922-2T IE3	2830	4.03	2.34		1.10	2180	71	23
CMT-922-4T	1380	2.92	1.69		0.55	1080	66	20
CMT-1025-2T IE3	2875	5.34	3.07		1.50	2850	74	35
CMT-1025-4T	1380	2.92	1.69		0.55	1390	70	27
CMT-1128-2T IE3	2910	7.32	4.21		2.20	4500	76	42
CMT-1128-4T	1380	2.92	1.69		0.55	2250	72	30
CMT-1231-2T-4 IE3	2910	10.00	5.77		3.00	5220	78	57
CMT-1231-2T-5.5 IE3	2900	13.00	7.50		4.00	6300	79	79
CMT-1231-4T IE3	1455	4.07	2.34		1.10	3000	73	47
CMT-1435-2T-7.5 IE3	2930		10.10	5.86	5.50	7800	85	109
CMT-1435-2T-10 IE3	2930		14.10	8.17	7.50	8260	87	91
CMT-1435-4T IE3	1435	7.93	4.56		2.20	4175	76	63
CMT-1640-2T-7.5 IE3	2930		10.10	5.86	5.50	5600	88	119
CMT-1640-2T-10 IE3	2930		14.10	8.17	7.50	9600	90	101
CMT-1640-4T IE3	1435	7.93	4.56		2.20	4800	77	79
CMT-1845-2T-10 IE3	2930		14.10	8.17	7.50	5000	89	151
CMT-1845-2T-15 IE3	2945		20.00	11.60	11.00	10500	91	215
CMT-1845-2T-20 IE3	2945		27.70	16.10	15.00	13000	94	218
CMT-1845-4T IE3	1450	13.90	8.00		4.00	8200	80	146
CMT-2050-2T-25 IE3	2945		33.90	19.70	18.50	8500	98	242
CMT-2050-2T-30 IE3	2950		39.70	23.00	22.00	13600	99	275
CMT-2050-4T IE3	1465		10.30	5.97	5.50	11300	85	183

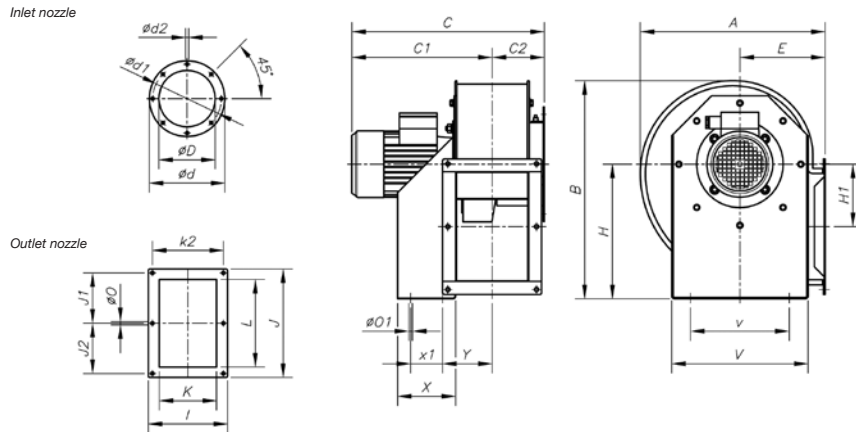
Acoustic characteristics

Sound power spectrum Lw(A) in dB(A) per Hz frequency band

	63	125	250	500	1000	2000	4000	8000		63	125	250	500	1000	2000	4000	8000
922-2	45	61	76	76	77	74	72	63	1435-4	53	68	84	83	85	81	79	71
922-4	40	56	71	71	72	69	67	58	1640-2-7.5	65	80	96	95	97	93	91	83
1025-2	48	64	79	79	80	77	75	66	1640-2-10	67	82	98	97	99	95	93	85
1025-4	44	60	75	75	76	73	71	62	1640-4	54	69	85	84	86	82	80	72
1128-2	50	66	81	81	82	79	77	68	1845-2-10	68	83	98	98	99	96	94	85
1128-4	46	62	77	77	78	75	73	64	1845-2-15	70	85	100	100	101	98	96	87
1231-2-4	55	70	86	85	87	83	81	73	1845-2-20	73	88	103	103	104	101	99	90
1231-2-5.5	56	71	87	86	88	84	82	74	1845-4	59	74	89	89	90	87	85	76
1231-4	50	65	81	80	82	78	76	68	2050-2-25	77	92	107	107	108	105	103	94
1435-2-7.5	62	77	93	92	94	90	88	80	2050-2-30	78	93	108	108	109	106	104	95
1435-2-10	64	79	95	94	96	92	90	82	2050-4	64	79	94	94	95	92	90	81

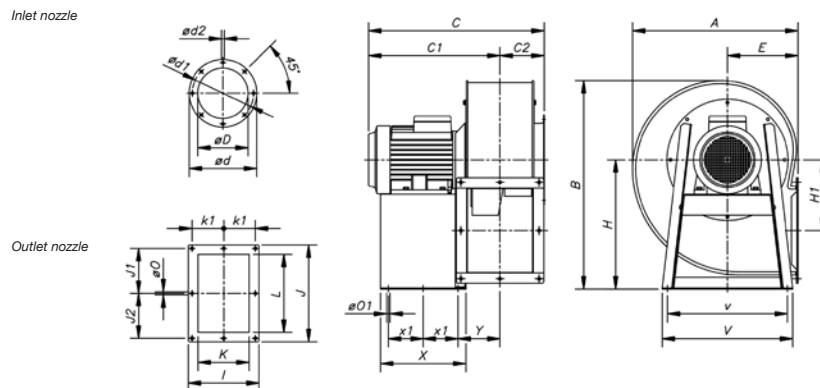
Dimensions mm

CMT-922...1231



	A	B	C	C1	C2	øD	ød	ød1	ød2	E	H	H1	I	J	J1	K	k2	L	øO	øO1	V	v	X	x1	Y
CMT-922	388.5	455	416	309	107	170	244	210	9.5	180	280	134	204	282.5	128	140	180	215	9.5	10.5	290	220	114	50	105
CMT-1025-2T	427	503	490	369.5	120.5	190	264	230	9.5	197	310	144	229	312.5	145	165	205	250	9.5	12.5	315	228	134	74	115.5
CMT-1025-4T	427	503	445	325	120	190	264	230	9.5	197	310	144	229	312.5	145	165	205	250	9.5	12.5	315	228	134	74	115.5
CMT-1128-2T	472	553	505	377	128	210	284	249	9.5	216	340	152	244	364	170	180	220	296.5	9.5	12.5	348	245	144	95	122.5
CMT-1128-4T	472	553	460	332	128	210	284	249	9.5	216	340	152	244	364	170	180	220	296.5	9.5	12.5	348	245	144	95	122.5
CMT-1231-2T-4	526	630	555	417	138	240	305	275	9.5	238	390	179.5	264	382.5	180	200	240	320	11.5	13	382	322	183	140	125
CMT-1231-2T-5.5	526	630	578	440	138	240	305	275	9.5	238	390	179.5	264	382.5	180	200	240	320	11.5	13	382	322	183	140	125
CMT-1231-4T	526	630	528	390	138	240	305	275	9.5	238	390	179.5	264	382.5	180	200	240	320	11.5	13	382	322	183	140	125

CMT-1435...2050

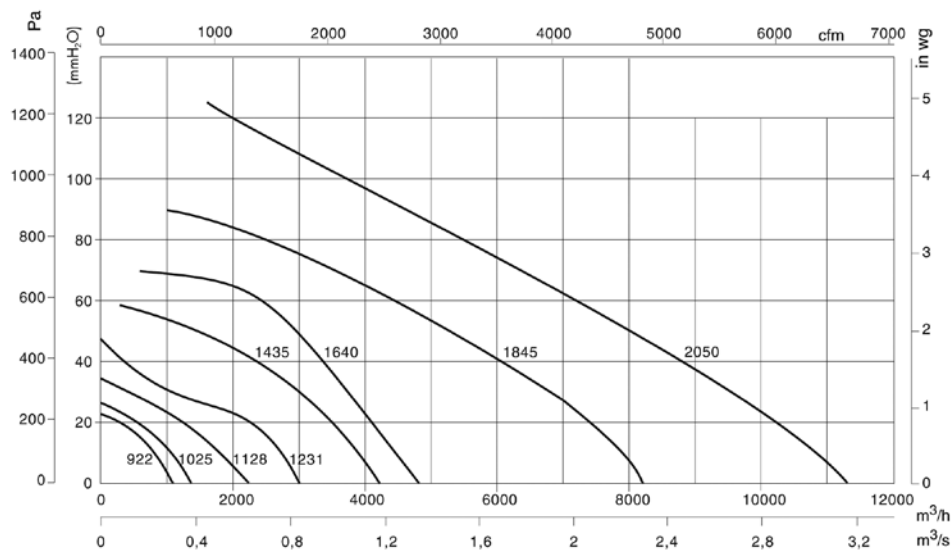
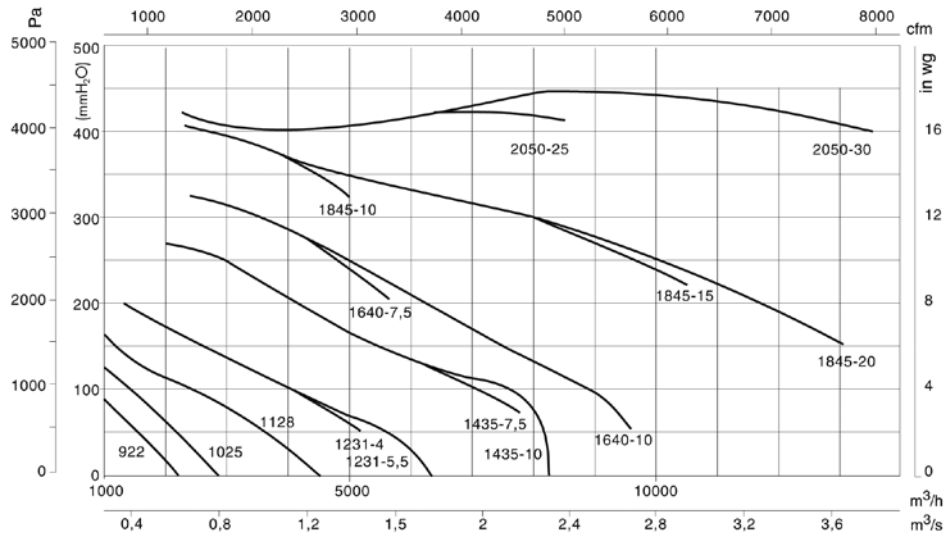


	A	B	C	C1	C2	øD	ød	ød1	ød2	E	H	H1	I	J	J1	K	k1	L	øO	øO1	V	v	X	x1	Y
CMT-1435-2T	573.5	715	661	504	157	276	344	310	9.5	250	445	242.5	292	342.5	159	228	133	280	11.5	12	456	420	333	136.5	149
CMT-1435-4T	573.5	715	588	431	157	276	344	310	9.5	250	445	242.5	292	342.5	159	228	133	280	11.5	12	456	420	333	136.5	149
CMT-1640-2T	634	799	673	504	169	276	344	310	9.5	270	495	271	336w	404	185	250	150	321	11.5	12	500	460	327	133.5	161
CMT-1640-4T	634	799	612	443	169	276	344	310	9.5	270	495	271	336	404	185	250	150	321	11.5	12	500	460	327	133.5	161
CMT-1845-2T-10	711	901	712	521	191	350	434	395	9.5	302	560	305	370	444	202	284	164	361	11.5	12	538	502	340	140	178
CMT-1845-2T-15	711	901	817	626	191	350	434	395	9.5	302	560	305	370	444	202	284	164	361	11.5	12	538	502	420	180	178
CMT-1845-2T-20	711	901	817	626	191	350	434	395	9.5	302	560	305	370	444	202	284	164	361	11.5	12	538	502	420	180	178
CMT-1845-4T	711	901	674	483	191	350	434	395	9.5	302	560	305	370	444	202	284	164	361	11.5	12	538	502	340	140	178
CMT-2050-2T-25	797	987	901	688.5	212.5	375	480	450	11	345	610	313	411	544	250	315	182.5	451	11.5	12	653	615	435	188	194
CMT-2050-2T-30	797	987	953	740.5	212.5	375	480	450	11	345	610	313	411	544	250	315	182.5	451	11.5	12	653	615	435	188	194.5
CMT-2050-4T	797	987	750	537.5	212.5	375	480	450	11	345	610	313	411	544	250	315	182.5	451	11.5	12	653	615	435	188	194.5

Characteristic curves

Q= Flow rate in m³/h, m³/s and cfm

Pe= Static pressure in mm H₂O, Pa and inwg



Orientation

Standard supply LG 270

Positions LG 180 and RD 180 on request with special anchoring measurements.



Accessories

See accessories section.



PORT



Extremely robust, high power, portable air extractor fans.



Fan:

- Portable extractor fan with high inlet power
- For extracting dirty, dusty air, in facilities that require intermittent, mobile extraction and specially designed for use in farming and industry.

Construction characteristics:

- Extremely thick sheet steel casing.
- Impeller with extremely robust reaction blades.
- Support bench with durable wheels.
- Circular impulsion flange included.
- Inlet protective grille included.

Motor:

- IE3 efficiency motors for powers equal to or greater than 0.75 kW except single-phase, 2-speed and 8-pole.
- Class F motors with ball bearings and IP55 protection.

- Three-phase 230/400 V - 50 Hz (up to 4 kW) and 400/690 V - 50 Hz (powers greater than 4 kW).
- Maximum temperature of air to be carried: -20 °C +120 °C.

Finish:

- Anti-corrosive finish of polyester resin polymerised at 190 °C, previously degreased with phosphate-free nanotechnological treatment.

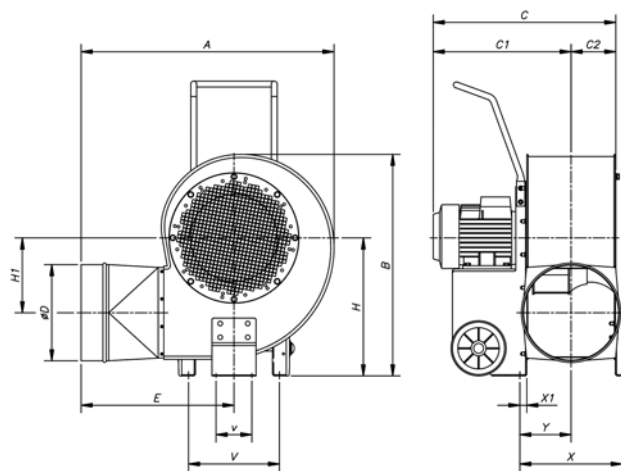
On request:

- Special windings for different voltages.
- Fan prepared for air transmission of up to 250 °C.
- Stainless steel fan.
- ATEX certification

Technical characteristics

Model	Speed (r/min)	Maximum admissible current (A)			Installed power (kW)	Maximum flow rate (m ³ /h)	Sound pressure level dB(A)	Approx. weight (kg)	According to ErP
		230 V	400 V	690 V					
PORT-1135-2T-3 IE3	2910	7.32	4.21		2.20	7800	83	75	2015
PORT-1240-2T-5.5 IE3	2900	13.00	7.50		4.00	11100	86	114	2015
PORT-1445-2T-10 IE3	2930		14.10	8.17	7.50	16500	87	142	2015
PORT-1650-2T-15 IE3	2945		20.00	11.60	11.00	18850	89	230	2015
PORT-1650-2T-20 IE3	2945		27.70	16.10	15.00	19500	90	243	2015

Dimensions mm



Accessories



B



Erp. (Energy Related Products)

Information on Directive 2009/125/EC can be downloaded from the SODECA website or the QuickFan selector programme.

	A	B	C	C1	C2	øD	E	H	H1	øO	V	v	X	X1	Y
PORT-1135-2T-3	866	720	576.5	432	144.5	315	542	450	242.5	12	330	130	332	20	163
PORT-1240-2T-5.5	920	805	663	500.5	162.5	355	555	500	271	12	330	130	372	25	186
PORT-1445-2T-10	1050	918	745.5	562.5	183	400	635	575	271	12	370	130	411.5	25	205.5
PORT-1650-2T-15	1128	987	890.5	685	205.5	500	672	610	297	12	390	130	453	25	227
PORT-1650-2T-20	1128	987	890.5	685	205.5	500	672	610	297	12	390	130	453	25	227

CMRS



Extremely robust, medium pressure, single inlet centrifugal fans fitted with backward-curved impeller.



Fan:

- Sheet steel casing.
- Impeller with reaction blades in extremely robust sheet steel, specially designed for transporting clean or slightly dusty air.
- Motor coupled directly.
- Fitted with inspection covers, except models 350, 400, 450, 500 and 560.

Motor:

- IE3 efficiency motors for powers equal to or greater than 0.75 kW except single-phase, 2-speed and 8-pole.
- Class F motors with ball bearings and IP55 protection.
- Three-phase 230/400 V - 50 Hz (up to 4 kW) and 400/690 V - 50 Hz (powers higher than 4 kW).
- Maximum temperature of air to be carried: -25 °C +120 °C.

Finish:

- Anti-corrosive finish of polyester resin polymerised at 190 °C, previously degreased with phosphate-free nanotechnological treatment.

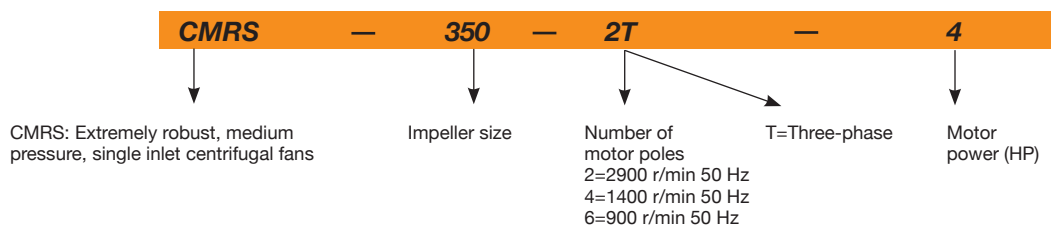
On request:

- Special windings for different voltages.
- Fan prepared for air transmission of up to 250 °C.
- Stainless steel fan.
- ATEX-certified Category 2.
- System 8 elastic coupling.



Extremely robust, high performance reaction impeller

Order code



Technical characteristics

Model	Speed (r/min)	Max. admissible current (A)			Installed power (kW)	Maximum flow rate (m ³ /h)	Sound pressure level dB(A)	Approx. weight (kg)	According to ErP
		230 V	400 V	690 V					
CMRS-350-2T-4 IE3	2910	10.00	5.77		3	7750	77	81	2015
CMRS-350-4T-0.5	1380	1.84	1.06		0.37	3900	65	50	2015
CMRS-400-2T-5.5 IE3	2900	13.00	7.50		4	9700	79	101	2015
CMRS-400-2T-7.5 IE3	2930		10.10	5.86	5.5	12100	82	130	2015
CMRS-400-4T-0.75	1420	2.28	1.31		0.55	5400	67	69	2015
CMRS-450-2T-10 IE3	2935		13.90	8.06	7.5	13600	83	141	2015
CMRS-450-2T-15 IE3	2945		20.00	11.60	11	17200	84	198	2015
CMRS-450-4T-1 IE3	1420	2.82	1.62		0.75	6850	69	79	2015
CMRS-450-4T-1.5 IE3	1455	4.07	2.34		1.1	7700	70	88	2015
CMRS-500-2T-20 IE3	2945		27.70	16.10	15	19400	88	231	2015
CMRS-500-2T-25 IE3	2945		33.90	19.70	18.5	24300	89	250	2015
CMRS-500-4T-2 IE3	1440	5.41	3.11		1.5	9750	71	125	2015
CMRS-500-4T-3 IE3	1435	7.93	4.56		2.2	10850	72	130	2015
CMRS-500-6T-0.75	910	2.59	1.49		0.55	6900	61	107	2015
CMRS-560-4T-4 IE3	1440	10.70	6.15		3	13600	73	153	2015
CMRS-560-4T-5.5 IE3	1450	13.90	8.00		4	17300	73	162	2015
CMRS-560-6T-1 IE3	940	3.36	1.93		0.75	8650	62	132	2015
CMRS-560-6T-1.5 IE3	945	4.68	2.69		1.1	9650	65	141	2015
CMRS-630-4T-7.5 IE3	1465		10.30	5.97	5.5	19100	75	216	2015

CENTRIFUGAL FANS AND IN-LINE DUCT EXTRACTOR FANS

Technical characteristics

Model	Speed (r/min)	Max. admissible current (A)			Installed power (kW)	Maximum flow rate (m ³ /h)	Sound pressure level dB(A)	Approx. weight (kg)	According to ErP
		230 V	400 V	690 V					
CMRS-630-4T-10 IE3	1465		13.90	8.06	7.5	24600	75	227	2015
CMRS-630-6T-2 IE3	950	6.43	3.70		1.5	12200	66	171	2015
CMRS-630-6T-3 IE3	950	9.08	5.22		2.2	15350	68	181	2015
CMRS-710-4T-15 IE3	1470		20.90	12.10	11	27550	78	352	2015
CMRS-710-4T-20 IE3	1465		27.90	16.20	15	34900	78	377	2015
CMRS-710-6T-4 IE3	970	12.00	6.91		3	17200	70	276	2015
CMRS-710-6T-5.5 IE3	960	15.60	8.99		4	21700	71	285	2015
CMRS-800-4T-25 IE3	1470		35.10	20.30	18.5	38250	81	480	2015
CMRS-800-4T-30 IE3	1470		41.00	23.80	22	48250	83	503	2015
CMRS-800-6T-7.5 IE3	970		11.20	6.49	5.5	24400	74	359	2015
CMRS-800-6T-10 IE3	975		14.80	8.58	7.5	30900	74	412	2015
CMRS-900-4T-50 IE3	1480		66.80	38.70	37	54300	85	810	2015
CMRS-900-4T-60 IE3	1475		80.90	46.90	45	69550	85	849	2015
CMRS-900-6T-15 IE3	975		21.90	12.70	11	34650	76	521	2015
CMRS-900-6T-20 IE3	975		28.20	16.30	15	42600	76	583	2015
CMRS-1000-4T-75 IE3	1480		98.60	57.20	55	76650	87	1082	2015
CMRS-1000-4T-100 IE3	1485		134.00	77.70	75	96150	88	1319	2015
CMRS-1000-6T-25 IE3	980		35.90	20.80	18.5	48750	77	783	2015
CMRS-1000-6T-30 IE3	980		42.40	24.60	22	61800	78	810	2015
CMRS-1120-6T-40 IE3	985		55.40	32.10	30	71500	80	1081	2015
CMRS-1120-6T-50 IE3	985		67.20	39.00	37	85950	80	1261	2015
CMRS-1250-6T-75 IE3	985		103.00	59.70	55	98300	83	1618	2015
CMRS-1250-6T-100 IE3	990		139.00	80.60	75	121200	84	1947	2015
CMRS-1400-6T-125 IE3	990		165.00	95.70	90	142150	87	2328	2015
CMRS-1400-6T-150 IE3	990		201.00	117.00	110	173400	88	2476	2015

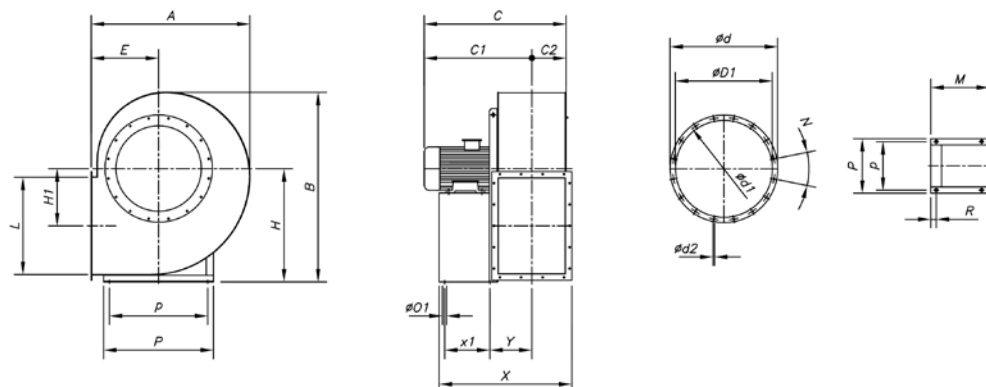


Erp. (Energy Related Products)

Information on Directive 2009/125/EC can be downloaded from the SODECA website or the QuickFan selector programme.

Dimensions mm

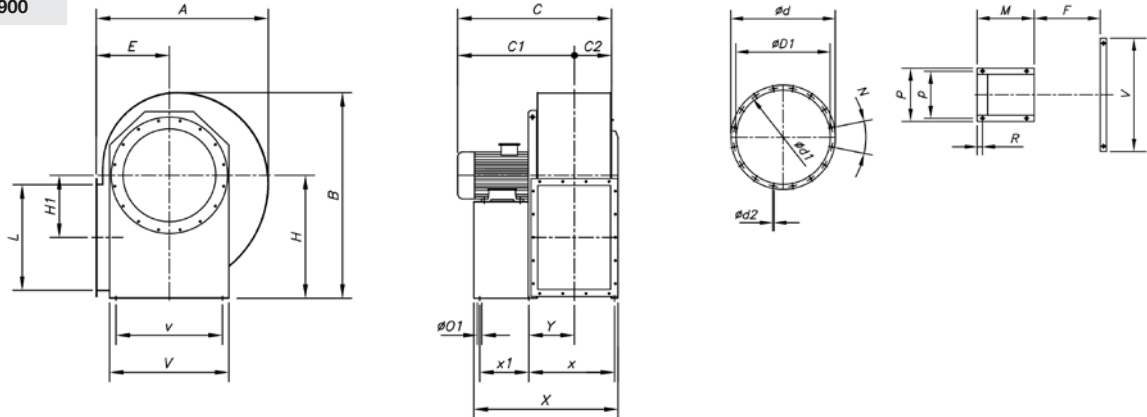
CMRS-350...500



	A	B	C	C1	C2	ØD1	Ød	Ød1	Ød2	N	E	H	H1	L	M	R	Ø01	P	p	X	x1	Y
CMRS-350-2T-4	592	743	591	459	132	360	434	405	12	8x45°	255	450	215	365	295	23	12	324	289	596	249	156
CMRS-350-4T-0.5	592	743	488	356	132	360	434	405	12	8x45°	255	450	215	365	220	14	10	225	203	521	156	183
CMRS-400-2T-5.5	666	824	638	490	148	405	491	448	12	8x45°	285	500	242	408	310	23	12	324	289	643	264	172
CMRS-400-2T-7.5	666	824	667	519	148	405	491	448	12	8x45°	285	500	243	408	360	23	12	372	337	693	314	172
CMRS-400-4T-0.75	666	824	537	389	148	405	491	448	12	8x45°	285	500	243	408	225	14	10	225	203	558	166	194
CMRS-450-2T-10	753	922	741	576	165	455	524	497	12	12x30°	320	560	273	457	360	23	12	372	337	728	314	190
CMRS-450-2T-15	753	922	804	639	165	455	524	497	12	12x30°	320	560	273	457	470	28	14	440	395	838	414	195
CMRS-450-4T-1	753	922	572	407	165	455	524	497	12	12x30°	320	560	273	457	225	14	10	225	203	593	166	212
CMRS-450-4T-1.5	753	922	597	432	165	455	524	497	12	12x30°	320	560	273	457	260	17	10	260	234	628	183	227
CMRS-500-2T-20	831	1008	845	660	185	505	580	551	12	12x30°	360	600	301	511	465	28	14	440	395	872	414	210
CMRS-500-2T-25	831	1008	944	759	185	505	580	551	12	12x30°	360	600	301	511	465	28	14	440	395	872	414	210
CMRS-500-4T-2	831	1008	636	451	185	505	580	551	12	12x30°	360	600	301	511	260	17	10	260	234	667	183	247
CMRS-500-4T-3	831	1008	697	512	185	505	580	551	12	12x30°	360	600	301	511	295	23	12	324	289	702	249	210
CMRS-500-6T-0.75	831	1008	611	426	185	505	580	551	12	12x30°	360	600	301	511	225	14	10	225	203	632	166	232

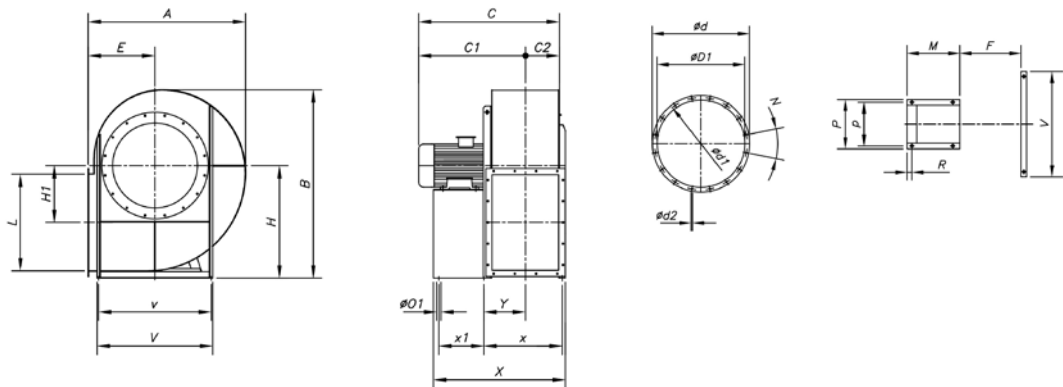
Dimensions mm

CMRS-560...900



	A	B	C	C1	C2	ØD1	Ød	Ød1	Ød2	N	E	H	H1	L	F	M	R	ØO1	P	p	V	v	X	x	x1	Y
CMRS-560-4T-4	937	1138	742	534	208	565	658	629	12	12x30°	400	670	331	573	412	295	23	12	324	289	690	632	737	452	249	231
CMRS-560-4T-5.5	937	1138	757	549	208	565	658	629	12	12x30°	400	670	331	573	412	310	23	12	324	289	690	632	752	452	264	231
CMRS-560-6T-1	937	1138	681	473	208	565	658	629	12	12x30°	400	670	331	573	412	260	17	10	260	234	690	632	702	489	183	268
CMRS-560-6T-1.5	937	1138	681	473	208	565	658	629	12	12x30°	400	670	331	573	412	260	17	10	260	234	690	632	702	489	183	268
CMRS-630-4T-7.5	1053	1279	877	643	234	635	738	698	12	12x30°	450	750	374	644	462	360	23	12	372	337	780	702	862	507	314	256
CMRS-630-4T-10	1053	1279	941	707	234	635	738	698	12	12x30°	450	750	374	644	462	360	23	12	372	337	780	702	862	507	314	256
CMRS-630-6T-2	1053	1279	793	559	234	635	738	698	12	12x30°	450	750	374	644	462	295	23	12	324	289	780	702	797	507	249	256
CMRS-630-6T-3	1053	1279	808	574	234	635	738	698	12	12x30°	450	750	374	644	462	310	23	12	324	289	780	702	812	507	264	256
CMRS-710-4T-15	1177	1435	992	732	260	715	825	775	14	16x22°30'	500	850	431	719	511	477	39	19	836	734	884	772	1053	612	372	321
CMRS-710-4T-20	1177	1435	1091	831	260	715	825	775	14	16x22°30'	500	850	431	719	511	477	39	19	836	734	884	772	1053	612	372	321
CMRS-710-6T-4	1177	1435	927	667	260	715	825	775	14	16x22°30'	500	850	431	719	511	368	39	19	836	734	884	772	944	612	263	321
CMRS-710-6T-5.5	1177	1435	991	731	260	715	825	775	14	16x22°30'	500	850	431	719	511	368	39	19	836	734	884	772	944	612	263	321
CMRS-800-4T-25	1312	1592	1136	844	292	805	920	861	14	16x22°30'	560	950	482	808	574	543	39	19	926	862	965	862	1184	675	441	353
CMRS-800-4T-30	1312	1592	1174	882	292	805	920	861	14	16x22°30'	560	950	482	808	574	543	39	19	926	862	965	862	1184	675	441	353
CMRS-800-6T-7.5	1312	1592	1055	763	292	805	920	861	14	16x22°30'	560	950	482	808	574	365	39	19	926	862	965	862	1006	675	263	353
CMRS-800-6T-10	1312	1592	1055	763	292	805	920	861	14	16x22°30'	560	950	482	808	574	474	39	19	926	862	965	862	1115	675	372	353
CMRS-900-4T-50	1472	1777	1390	1063	327	905	1015	958	14	16x22°30'	630	1060	543	905	643	540	39	19	1026	962	1095	962	1270	738	441	384
CMRS-900-4T-60	1472	1777	1390	1063	327	905	1015	958	14	16x22°30'	630	1060	543	905	643	540	39	19	1026	962	1095	962	1270	738	441	384
CMRS-900-6T-15	1472	1777	1223	896	327	905	1015	958	14	16x22°30'	630	1060	543	905	643	471	39	19	1026	962	1095	962	1201	738	372	384
CMRS-900-6T-20	1472	1777	1243	916	327	905	1015	958	14	16x22°30'	630	1060	543	905	643	540	39	19	1026	962	1095	962	1270	738	441	384

CMRS-1000...1400

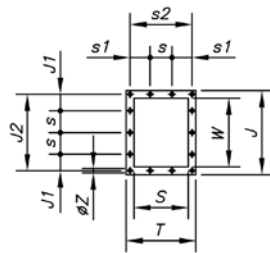


	A	B	C	C1	C2	ØD1	Ød	Ød1	Ød2	N	E	H	H1	L	F	M	R	ØO1	P	p	V	v	X	x	x1	Y
CMRS-1000-4T-75	1657	1987	1490	1127	363	1007	1115	1067	15	24x15°	710	1180	610	1014	721	600	45	19	1128	1056	1225	1056	1401	816	500	415
CMRS-1000-4T-100	1657	1987	1647	1284	363	1007	1115	1067	15	24x15°	710	1180	610	1014	721	690	45	19	1128	1056	1225	1056	1491	816	590	415
CMRS-1000-6T-25	1657	1987	1380	1017	363	1007	1115	1067	15	24x15°	710	1180	610	1014	721	500	45	19	1128	1056	1225	1056	1301	816	400	415
CMRS-1000-6T-30	1657	1987	1380	1017	363	1007	1115	1067	15	24x15°	710	1180	610	1014	721	500	45	19	1128	1056	1225	1056	1301	816	400	415
CMRS-1120-6T-40	1850	2220	1543	1141	402	1130	1250	1200	15	24x15°	800	1320	684	1130	801	550	44	20	1268	1178	1400	1178	1431	896	441	466
CMRS-1120-6T-50	1850	2220	1647	1245	402	1130	1250	1200	15	24x15°	800	1320	684	1130	801	600	45	20	1268	1178	1400	1178	1481	911	475	481
CMRS-1250-6T-75	2100	2535	1833	1381	452	1260	1380	1337	15	24x15°	900	1500	770	1267	898	690	45	20	1400	1310	1530	1310	1668	1023	565	529
CMRS-1250-6T-100	2100	2535	1927	1475	452	1260	1380	1337	15	24x15°	900	1500	770	1267	898	800	45	20	1400	1310	1530	1310	1778	1008	675	529
CMRS-1400-6T-125	2305	2815	2178	1672	506	1410	1530	1491	13	32x11°15'	1000	1700	854	1421	1006	800	60	24	1530	1450	1690	1450	1906	1152	640	603
CMRS-1400-6T-150	2305	2815	2178	1672	506	1410	1530	1491	13	32x11°15'	1000	1700	854	1421	1006	800	60	24	1530	1450	1690	1450	1906	1152	640	603

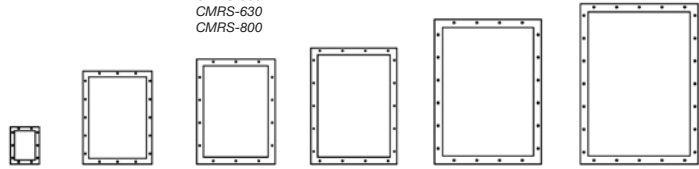
CENTRIFUGAL FANS AND IN-LINE DUCT EXTRACTOR FANS

Dimensions mm

Outlet nozzle



CMRS-350 CMRS-710 CMRS-400
CMRS-450
CMRS-500
CMRS-560
CMRS-630
CMRS-800 CMRS-900
CMRS-1000 CMRS-1120 CMRS-1250
CMRS-1400

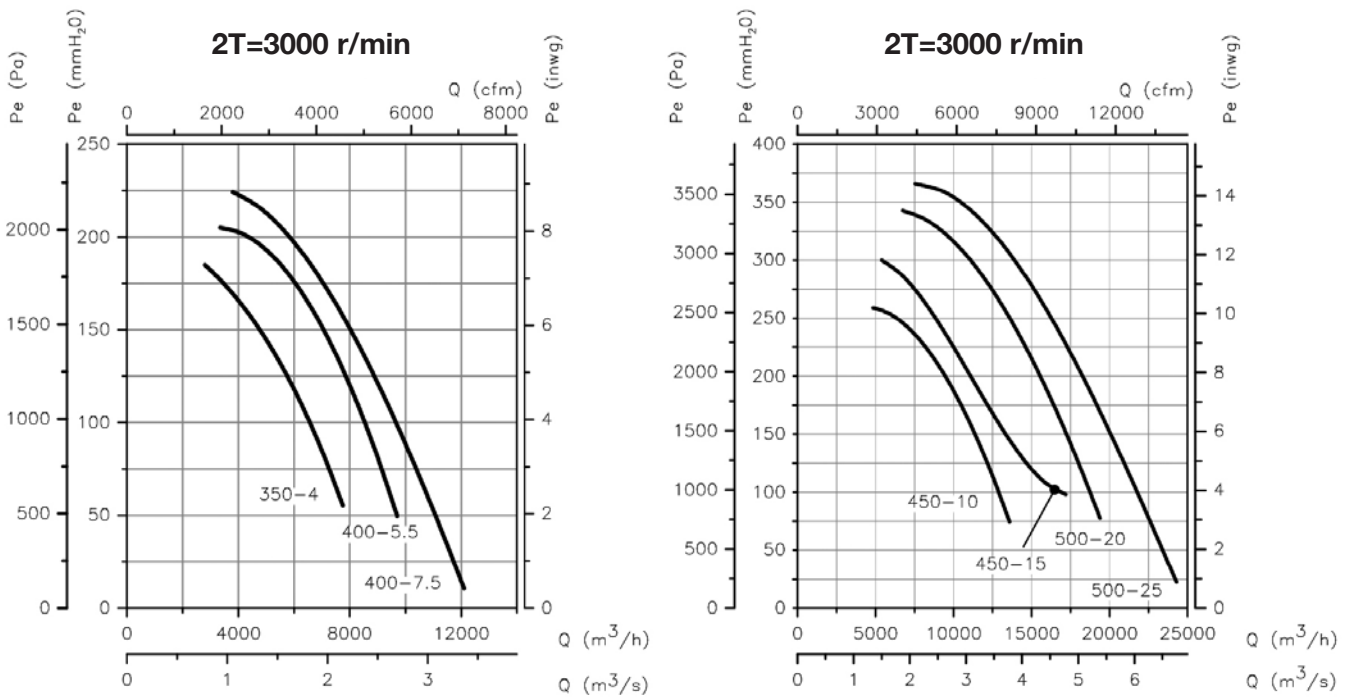


	T	J	J1	J2	S	s	s1	s2	W	ØZ
CMRS-350	336	441	77	405	260	125	87	300	365	12
CMRS-400	368	484	36	448	292	125	41	332	408	12
CMRS-450	402	533	61	497	326	125	58	366	457	12
CMRS-500	441	587	88	551	365	125	77	405	511	12
CMRS-560	504	669	74	629	412	160	72	464	573	14
CMRS-630	553	738	109	698	462	160	96	513	644	14
CMRS-710	607	815	67	775	511	160	123	567	719	14
CMRS-800	689	921	135	871	574	200	119	639	808	14
CMRS-900	758	1018	84	968	643	200	54	708	905	14
CMRS-1000	835	1127	138	1077	721	200	92	785	1014	14
CMRS-1120	941	1270	105	1210	801	200	140	881	1130	18
CMRS-1250	1038	1407	73	1347	898	200	89	978	1267	18
CMRS-1400	1147	1561	150	1501	1006	200	143	1087	1421	18

Characteristic curves

Q= Flow rate in m³/h, m³/s and cfm

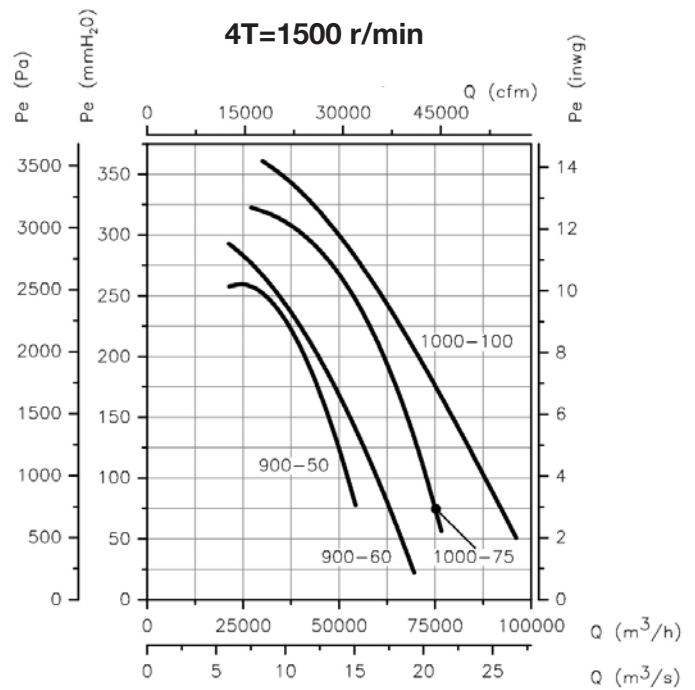
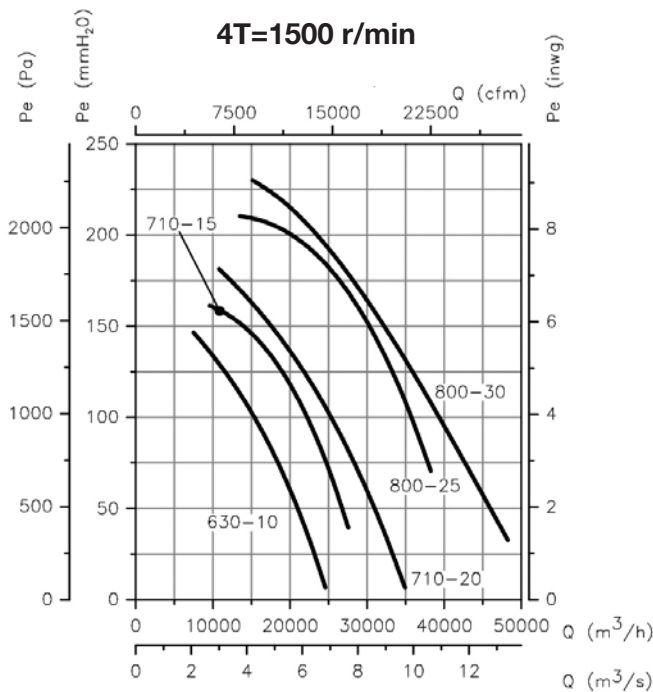
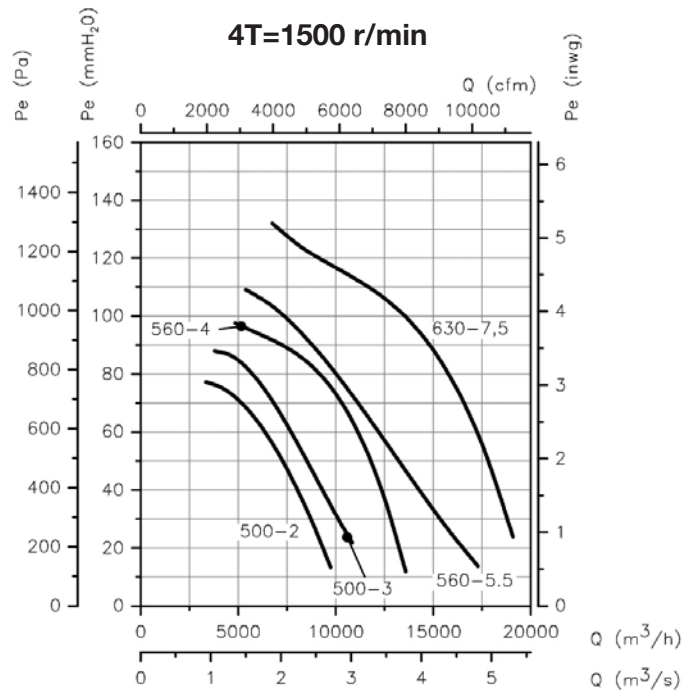
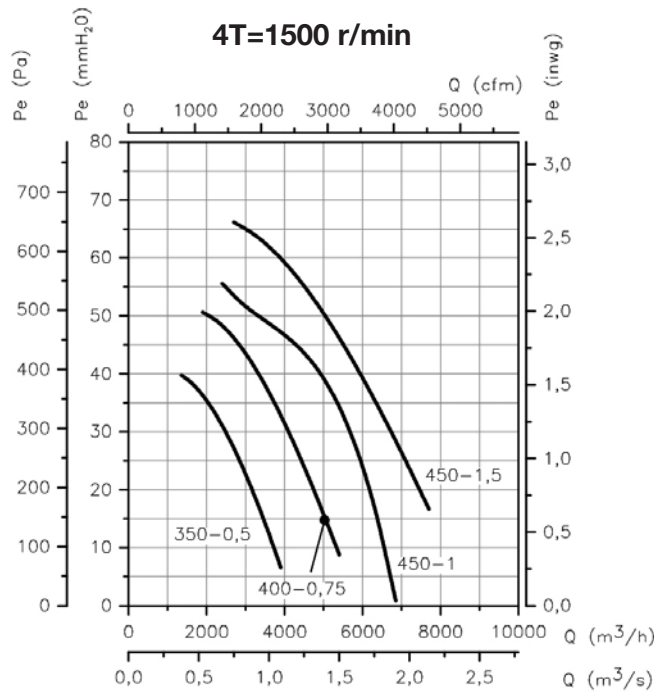
Pe= Static pressure in mm H₂O, Pa and inwg



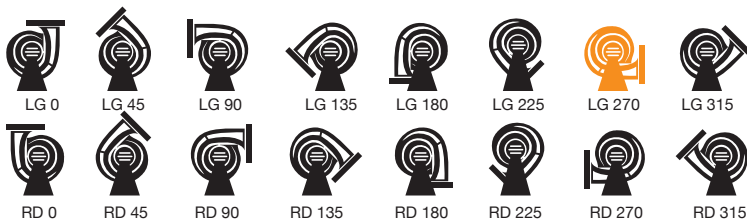
Characteristic curves

Q= Flow rate in m³/h, m³/s and cfm

Pe= Static pressure in mm H₂O, Pa and inwg



Orientation

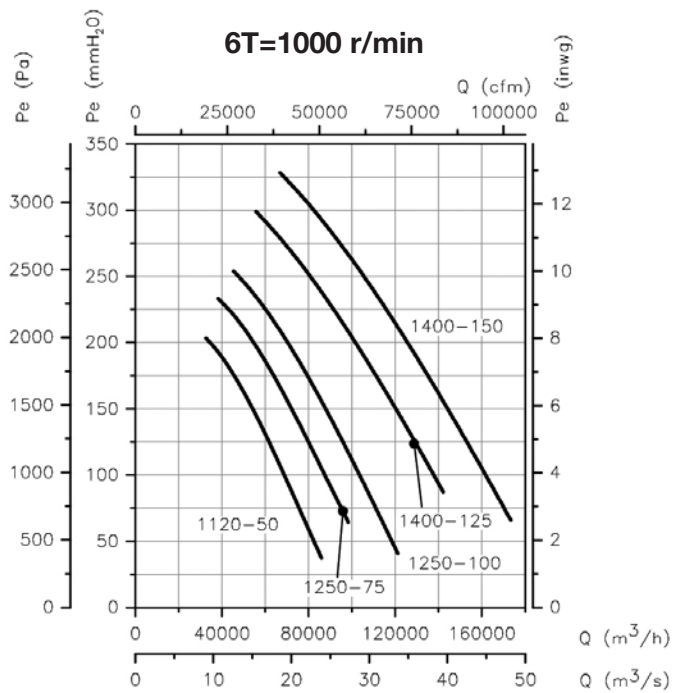
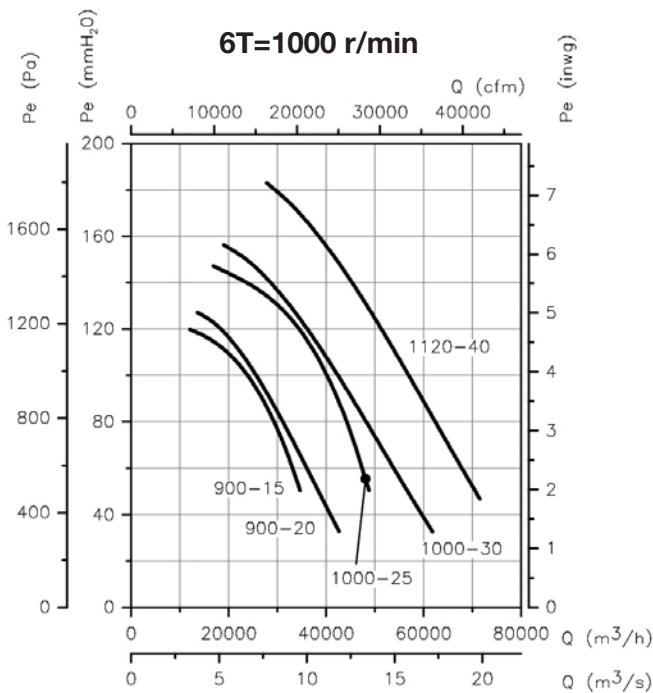
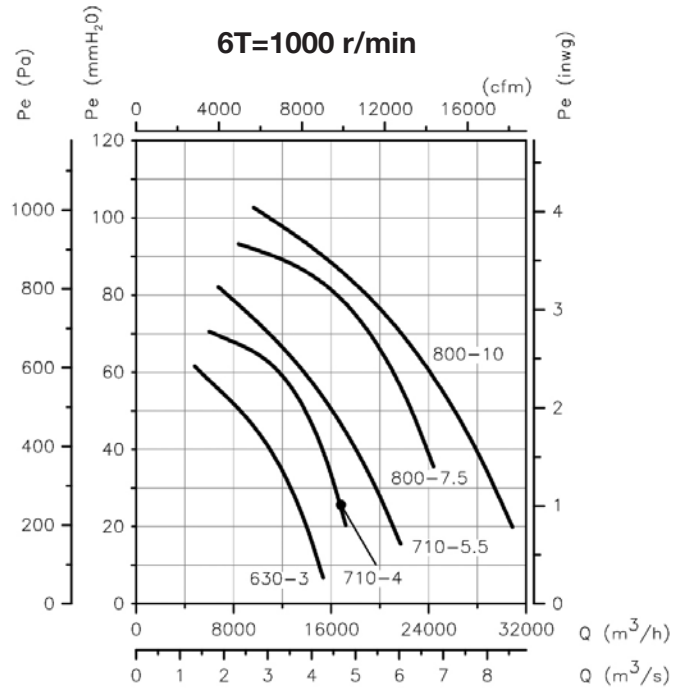
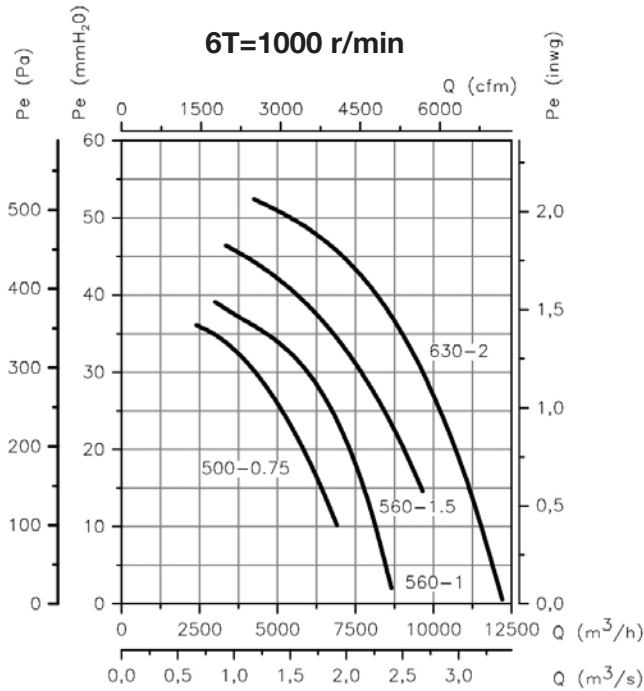


LG270 standard supply, other positions on request.
 Models 350 to 710 are adjustable.
 Special sizes in positions 180 and 225.
 Models 800 to 900 are adjustable.
 Special sizes except position 315.
 Models 1000 to 1400 are not adjustable.
 Special sizes except position 315.

Characteristic curves

Q= Flow rate in m³/h, m³/s and cfm

Pe= Static pressure in mm H₂O, Pa and inwg



Accessories

See accessories section.



CMRS-X



Belt-driven fans fitted with electric motors and a standardised set of pulleys, belts and protectors in accordance with standard ISO-13857.



Fan:

- Sheet steel casing.
- Impeller with reaction blades in extremely robust sheet steel, specially designed for transporting clean or slightly dusty air.
- Motor assembled on the general bench.
- Belt-driven fan.
- Fitted with inspection covers, except models 350, 400, 450, 500 and 560.

Motor:

- IE3 efficiency motors.
- Class F motors with ball bearings and IP55 protection.
- Three-phase 230/400 V - 50 Hz (up to 4 kW) and 400/690 V - 50 Hz (powers higher than 4 kW).
- Maximum temperature of air to be carried: -25 °C +120 °C.

Finish:

- Anti-corrosive finish of polyester resin polymerised at 190 °C, previously degreased with phosphate-free nanotechnological treatment.

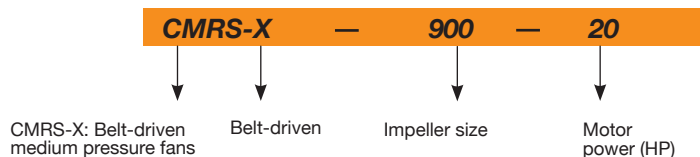
On request:

- Special windings for different voltages.
- Fan prepared for air transmission of up to 250 °C.
- Stainless steel fan.
- ATEX-certified Category 2.
- System 8 elastic coupling.



Extremely robust construction.

Order code



Technical characteristics

Model	Speed (r/min)	Max. admissible current (A)			Installed power (kW)	Max. flow rate (m ³ /h)	Maximum pressure (mm H ₂ O)	Approx. weight (kg)	According to ErP
		230 V	400 V	690 V					
CMRS-X-350-0.75 IE3	1575	2.17	1.25		0.55	4540	55	121	2015
CMRS-X-350-1 IE3	1755	2.82	1.62		0.75	5050	65	123	2015
CMRS-X-350-1.5 IE3	1995	4.07	2.34		1.1	5740	85	133	2015
CMRS-X-350-2 IE3	2215	5.48	3.15		1.5	6370	105	136	2015
CMRS-X-350-3 IE3	2520	7.93	4.56		2.2	7260	140	145	2015
CMRS-X-350-4 IE3	2675	10.70	6.15		3	7700	155	151	2015
CMRS-X-350-5.5 IE3	3095	13.90	8.00		4	8920	210	162	2015
CMRS-X-350-7.5 IE3	3455		10.30	5.97	5.5	9950	260	187	2015
CMRS-X-350-10 IE3	3830		13.90	8.06	7.5	11030	320	196	2015
CMRS-X-350-15 IE3	4350		20.90	12.10	11	12530	410	236	2015
CMRS-X-400-0.75 IE3	1345	2.17	1.25		0.55	5560	50	129	2015
CMRS-X-400-1 IE3	1495	2.82	1.62		0.75	6170	60	131	2015
CMRS-X-400-1.5 IE3	1700	4.07	2.34		1.1	7010	75	141	2015
CMRS-X-400-2 IE3	1885	5.48	3.15		1.5	7790	95	144	2015
CMRS-X-400-3 IE3	2150	7.93	4.56		2.2	8870	125	153	2015
CMRS-X-400-4 IE3	2390	10.70	6.15		3	9860	150	159	2015
CMRS-X-400-5.5 IE3	2640	13.90	8.00		4	10890	185	170	2015
CMRS-X-400-7.5 IE3	2945		10.30	5.97	5.5	12150	230	195	2015
CMRS-X-400-10 IE3	3265		13.90	8.06	7.5	13480	285	204	2015
CMRS-X-400-15 IE3	3710		20.90	12.10	11	15310	365	244	2015
CMRS-X-450-1 IE3	1230	2.82	1.62		0.75	7050	50	146	2015
CMRS-X-450-1.5 IE3	1400	4.07	2.34		1.1	8010	65	156	2015

CENTRIFUGAL FANS AND IN-LINE DUCT EXTRACTOR FANS

Technical characteristics

Model	Speed (r/min)	Max. admissible current (A)			Installed power (kW)	Max. flow rate (m ³ /h)	Maximum pressure (mm H ₂ O)	Approx. weight (kg)	According to ErP
		230 V	400 V	690 V					
CMRS-X-450-2 IE3	1555	5.48	3.15		1.5	8890	80	159	2015
CMRS-X-450-3 IE3	1770	7.93	4.56		2.2	10130	105	168	2015
CMRS-X-450-4 IE3	1965	10.70	6.15		3	11260	130	174	2015
CMRS-X-450-5.5 IE3	2170	13.90	8.00		4	12440	160	185	2015
CMRS-X-450-7.5 IE3	2425		10.30	5.97	5.5	13880	200	210	2015
CMRS-X-450-10 IE3	2690		13.90	8.06	7.5	15390	245	219	2015
CMRS-X-450-15 IE3	3055		20.90	12.10	11	17490	320	259	2015
CMRS-X-450-20 IE3	3385		27.90	16.20	15	19400	390	281	2015
CMRS-X-500-1.5 IE3	1185	4.07	2.34		1.1	8460	55	190	2015
CMRS-X-500-2 IE3	1310	5.48	3.15		1.5	9380	70	193	2015
CMRS-X-500-3 IE3	1490	7.93	4.56		2.2	10670	90	202	2015
CMRS-X-500-4 IE3	1660	10.70	6.15		3	11880	110	208	2015
CMRS-X-500-5.5 IE3	1835	13.90	8.00		4	13130	135	219	2015
CMRS-X-500-7.5 IE3	2045		10.30	5.97	5.5	14640	170	244	2015
CMRS-X-500-10 IE3	2125		13.90	8.06	7.5	15200	180	253	2015
CMRS-X-500-15 IE3	2585		20.90	12.10	11	18470	265	293	2015
CMRS-X-500-20 IE3	2860		27.90	16.20	15	20460	325	315	2015
CMRS-X-500-25 IE3	3070		35.10	20.30	18.5	21960	375	353	2015
CMRS-X-560-2 IE3	1050	5.48	3.15		1.5	11280	55	231	2015
CMRS-X-560-3 IE3	1200	7.93	4.56		2.2	12840	75	240	2015
CMRS-X-560-4 IE3	1330	10.70	6.15		3	14280	90	246	2015
CMRS-X-560-5.5 IE3	1470	13.90	8.00		4	15780	110	257	2015
CMRS-X-560-7.5 IE3	1640		10.30	5.97	5.5	17600	140	282	2015
CMRS-X-560-10 IE3	1820		13.90	8.06	7.5	19520	170	291	2015
CMRS-X-560-15 IE3	1875		20.90	12.10	11	20080	180	331	2015
CMRS-X-560-20 IE3	2295		27.90	16.20	15	24600	270	353	2015
CMRS-X-560-25 IE3	2460		35.10	20.30	18.5	26380	310	391	2015
CMRS-X-560-30 IE3	2605		41.00	23.80	22	27940	350	408	2015
CMRS-X-630-3 IE3	1010	7.93	4.56		2.2	15860	70	294	2015
CMRS-X-630-4 IE3	1120	10.70	6.15		3	17630	85	300	2015
CMRS-X-630-5.5 IE3	1240	13.90	8.00		4	19480	105	311	2015
CMRS-X-630-7.5 IE3	1380		10.30	5.97	5.5	21730	130	336	2015
CMRS-X-630-10 IE3	1530		13.90	8.06	7.5	24100	160	345	2015
CMRS-X-630-15 IE3	1575		20.90	12.10	11	24790	170	385	2015
CMRS-X-630-20 IE3	1930		27.90	16.20	15	30360	250	407	2015
CMRS-X-630-25 IE3	2070		35.10	20.30	18.5	32560	290	445	2015
CMRS-X-630-30 IE3	2190		41.00	23.80	22	34500	325	462	2015
CMRS-X-630-40 IE3	2430		57.10	33.10	30	38260	400	505	2015
CMRS-X-710-4 IE3	840	10.70	6.15		3	18330	60	380	2015
CMRS-X-710-5.5 IE3	975	13.90	8.00		4	21210	75	391	2015
CMRS-X-710-7.5 IE3	1085		10.30	5.97	5.5	23670	95	416	2015
CMRS-X-710-10 IE3	1205		13.90	8.06	7.5	26250	120	425	2015
CMRS-X-710-15 IE3	1370		20.90	12.10	11	29820	150	465	2015
CMRS-X-710-20 IE3	1520		27.90	16.20	15	33080	190	487	2015
CMRS-X-710-25 IE3	1630		35.10	20.30	18.5	35480	215	525	2015
CMRS-X-710-30 IE3	1725		41.00	23.80	22	37590	240	542	2015
CMRS-X-710-40 IE3	1915		57.10	33.10	30	41670	300	585	2015
CMRS-X-710-50 IE3	2050		66.80	38.70	37	44700	340	732	2015
CMRS-X-800-10 IE3	940		13.90	8.06	7.5	32250	105	549	2015
CMRS-X-800-15 IE3	1060		20.90	12.10	11	36350	130	589	2015
CMRS-X-800-20 IE3	1200		27.90	16.20	15	41150	170	611	2015
CMRS-X-800-25 IE3	1290		35.10	20.30	18.5	44250	195	649	2015
CMRS-X-800-30 IE3	1370		41.00	23.80	22	46950	220	666	2015
CMRS-X-900-20 IE3	1130		27.90	16.20	15	48250	170	720	2015
CMRS-X-900-25 IE3	1200		35.10	20.30	18.5	51250	190	758	2015
CMRS-X-900-30 IE3	1280		41.00	23.80	22	54700	220	775	2015
CMRS-X-900-40 IE3	1430		57.10	33.10	30	61100	270	818	2015
CMRS-X-900-50 IE3	1520		66.80	38.70	37	64950	310	965	2015
CMRS-X-900-60 IE3	1630		80.90	46.90	45	69650	355	1000	2015
CMRS-X-1000-30 IE3	1050		41.00	23.80	22	63500	185	965	2015

Technical characteristics

Model	Speed (r/min)	Max. admissible current (A)			Installed power (kW)	Max. flow rate (m ³ /h)	Maximum pressure (mm H ₂ O)	Approx. weight (kg)	According to ErP
		230 V	400 V	690 V					
CMRS-X-1000-40 IE3	1165	57.10	33.10	30	70450	230	1008	2015	
CMRS-X-1000-50 IE3	1250	66.80	38.70	37	75600	260	1155	2015	
CMRS-X-1000-60 IE3	1340	80.90	46.90	45	81050	300	1190	2015	
CMRS-X-1000-75 IE3	1430	98.60	57.20	55	86500	345	1235	2015	
CMRS-X-1000-100 IE3	1525	134.00	77.70	75	92250	390	1430	2015	
CMRS-X-1120-30 IE3	880	41.00	23.80	22	73900	165	1184	2015	
CMRS-X-1120-40 IE3	970	57.10	33.10	30	81500	200	1227	2015	
CMRS-X-1120-50 IE3	1040	66.80	38.70	37	87350	230	1374	2015	
CMRS-X-1120-60 IE3	1110	80.90	46.90	45	93250	265	1409	2015	
CMRS-X-1120-75 IE3	1180	98.60	57.20	55	99100	295	1454	2015	
CMRS-X-1120-100 IE3	1310	134.00	77.70	75	110050	365	1649	2015	
CMRS-X-1250-40 IE3	800	57.10	33.10	30	96000	170	1383	2015	
CMRS-X-1250-50 IE3	860	66.80	38.70	37	103200	195	1530	2015	
CMRS-X-1250-60 IE3	920	80.90	46.90	45	110400	225	1565	2015	
CMRS-X-1250-75 IE3	980	98.60	57.20	55	117600	255	1610	2015	
CMRS-X-1250-100 IE3	1090	134.00	77.70	75	130800	315	1805	2015	
CMRS-X-1250-125 IE3	1160	158.00	91.60	90	139200	355	1875	2015	
CMRS-X-1400-50 IE3	690	66.80	38.70	37	113850	160	2078	2015	
CMRS-X-1400-60 IE3	740	80.90	46.90	45	12100	180	2113	2015	
CMRS-X-1400-75 IE3	790	98.60	57.20	55	130350	210	2158	2015	
CMRS-X-1400-100 IE3	875	134.00	77.70	75	144400	255	2353	2015	
CMRS-X-1400-125 IE3	930	158.00	91.60	90	153450	290	2423	2015	
CMRS-X-1400-150 IE3	1000	193.00	112.00	110	165000	335	2698	2015	
CMRS-X-1600-75 IE3	680	98.60	57.20	55	145850	195	2635	2015	
CMRS-X-1600-100 IE3	750	134.00	77.70	75	160900	240	2830	2015	
CMRS-X-1600-125 IE3	800	158.00	91.60	90	171600	270	2900	2015	
CMRS-X-1600-150 IE3	860	193.00	112.00	110	184450	315	3175	2015	
CMRS-X-1600-175 IE3	910	231.00	134.00	132	195200	350	3235	2015	
CMRS-X-1600-220 IE3	970	280.00	162.00	160	208050	400	3305	2015	



Erp. (Energy Related Products)

Information on Directive 2009/125/EC can be downloaded from the SODECA website or the QuickFan selector programme.

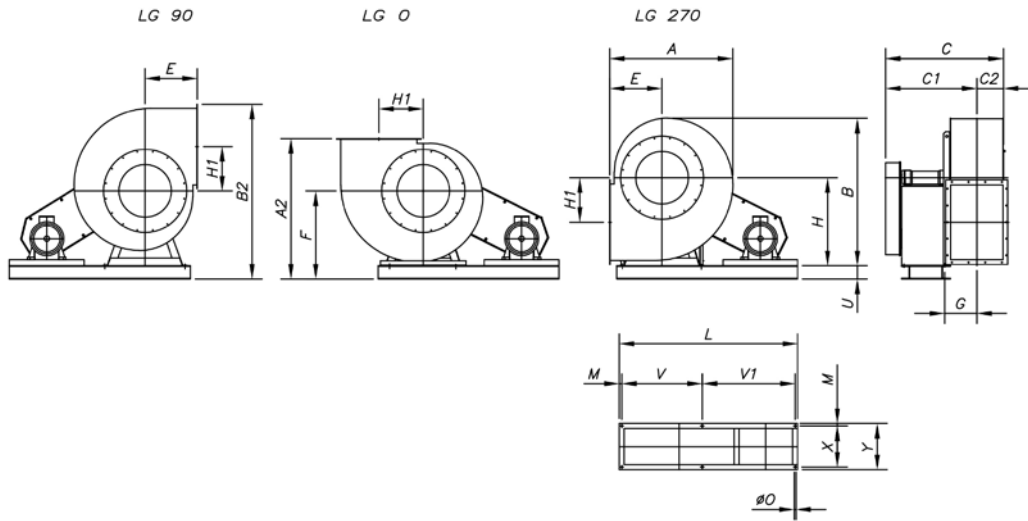
Dimensions mm

CMRS-X-350	LG 90			LG 0			LG 270										
	A	A2	B	B2	C	C1	C2	E	G	Q	H	H1	L	M	øO	X	Y
CMRS-X-350	600	705	740	886.5	816	686	130	255	181	50	450	216	400	355	14	485	407

CENTRIFUGAL FANS AND IN-LINE DUCT EXTRACTOR FANS

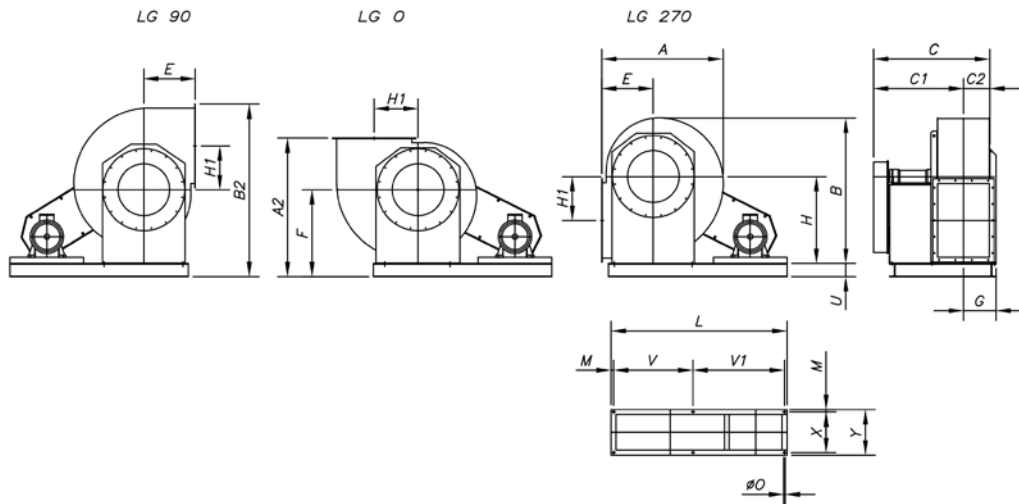
Dimensions mm

CMRS-X-400...500



	A	A2	B	B2	C	C1	C2	E	F	G	H	H1	L	M	øO	U	V	V1	X	Y
CMRS-X-400	655	925	815	1127	869	722	147	285	640	197	500	245	1010	27	15	140	350.5	605.5	409	463
CMRS-X-450	735	1020	915	1241.5	902	739	163	320	700	215	560	275	1010	27	15	140	350.5	605.5	409	463
CMRS-X-500	832	1100	1000	1336.5	1047	864	183	360	740	235	600	303	1050	27	18	140	364	632	489	543

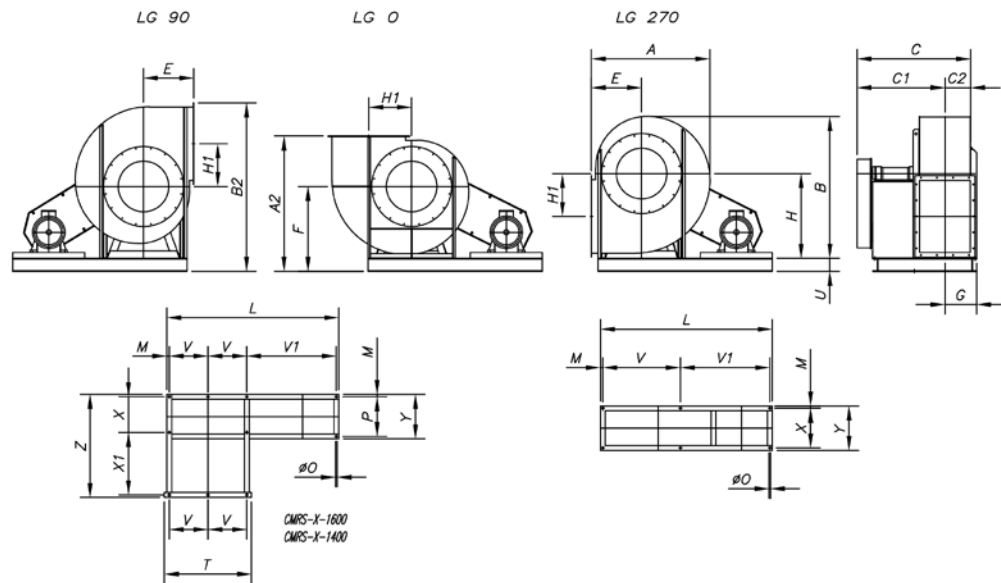
CMRS-X-560...630



	A	A2	B	B2	C	C1	C2	E	F	G	H	H1	L	M	øO	U	V	V1	X	Y
CMRS-X-560	940	1210	1126	1476.5	1127	922	205	400	810	255	670	332	1370	27	15	140	635	681	967	1021
CMRS-X-630	1052	1340	1260	1632	1183	953	230	450	890	280	750	373	1470	27	15	140	705	711	1016	1070

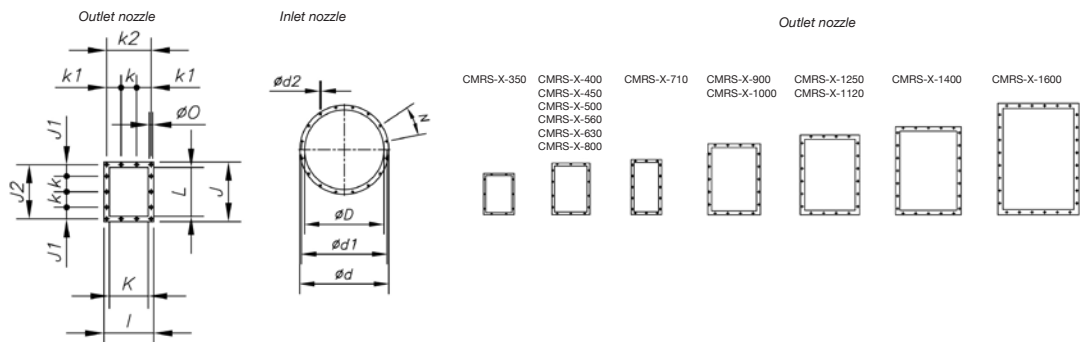
Dimensions mm

CMRS-X-710...1600



	A	A2	B	B2	C	C1	C2	E	F	G	H	H1	L	M	øO	U	T	V	V1	X	x1	Y	P	Z
CMRS-X-710	1160	1490	1416	1824.5	1283	1026	257	500	990	314	850	427	1633	27	15	140	-	772	807	1151	-	1205	-	-
CMRS-X-800	1312	1455	1591	1833.5	1344	1057	287	560	895	365	950	478	1768	27	15	140	-	867	847	1245	-	1299	-	-
CMRS-X-900	1470	1620	1780	2037	1414	1092	322	630	990	399	1060	538	2013	27	15	140	-	967	992	1314	-	1368	-	-
CMRS-X-1000	1656	1820	1993	2280.5	1612	1252	360	710	1110	458	1180	607	2164	27	15	160	-	1065	1045	1468	-	1522	-	-
CMRS-X-1120	1854	2040	2222	2559	1845	1441	404	800	1240	500	1320	684	2334	27	15	180	-	1196	1084	1732	-	1786	-	-
CMRS-X-1250	2084	2310	2517	2883.5	1941	1489	452	900	1410	549	1500	770	2630	27	15	220	-	1328	1248	1829	-	1883	-	-
CMRS-X-1400	2305	2500	2815	2934.5	2270	1764	506	1000	1500	603	1700	854	3150	35	24	180	1690	725	1630	780	1152	990	920	2000
CMRS-X-1600	2655	2800	3145	3262.5	2580	1746	568	1120	1680	685	1900	956	3340	35	28	180	1950	820	1120	920	1305	990	920	2295

Outlet and inlet nozzle



	øD*	ød	ød1	ød2	N	I	J	J1	J2	K	k	k1	k2	L	øO
CMRS-X-350	360	440	405	10	8x45°	336	441	77.5	405	256	125	87.5	300	361	12
CMRS-X-400	405	485	448	10	12x30°	368	484	36.5	448	288	125	41	332	404	12
CMRS-X-450	455	535	497	10	12x30°	402	533	61	497	322	125	58	366	453	12
CMRS-X-500	505	585	551	10	12x30°	441	587	88	551	361	125	77.5	405	507	12
CMRS-X-560	565	665	629	10	12x30°	504	669	74.5	629	404	160	72	464	569	14
CMRS-X-630	635	735	698	12	12x30°	553	738	109	698	453	160	96.5	513	638	14
CMRS-X-710	715	815	775	12	16x22°30'	607	815	67.5	775	507	160	123.5	567	715	14
CMRS-X-800	805	905	861	12	16x22°30'	689	921	135.5	871	569	200	119.5	639	801	14
CMRS-X-900	905	1005	958	12	16x22°30'	758	1018	84	968	638	200	54	708	898	14
CMRS-X-1000	1007	1107	1067	12	24x15°	835	1127	138.5	1077	715	200	92.5	785	1007	14
CMRS-X-1120	1130	1250	1200	12	24x15°	941	1270	105	1210	801	200	140.5	881	1130	18
CMRS-X-1250	1260	1380	1337	12	24x15°	1038	1407	173.5	1347	898	200	189	978	1267	18
CMRS-X-1400	1410	1530	1491	10	32x11°15'	1147	1561	150.5	1501	1007	200	143.5	1087	1421	18
CMRS-X-1600	1610	1730	1663	12	32x11°15'	1290	1753	141.5	1683	1130	200	110	1220	1593	22

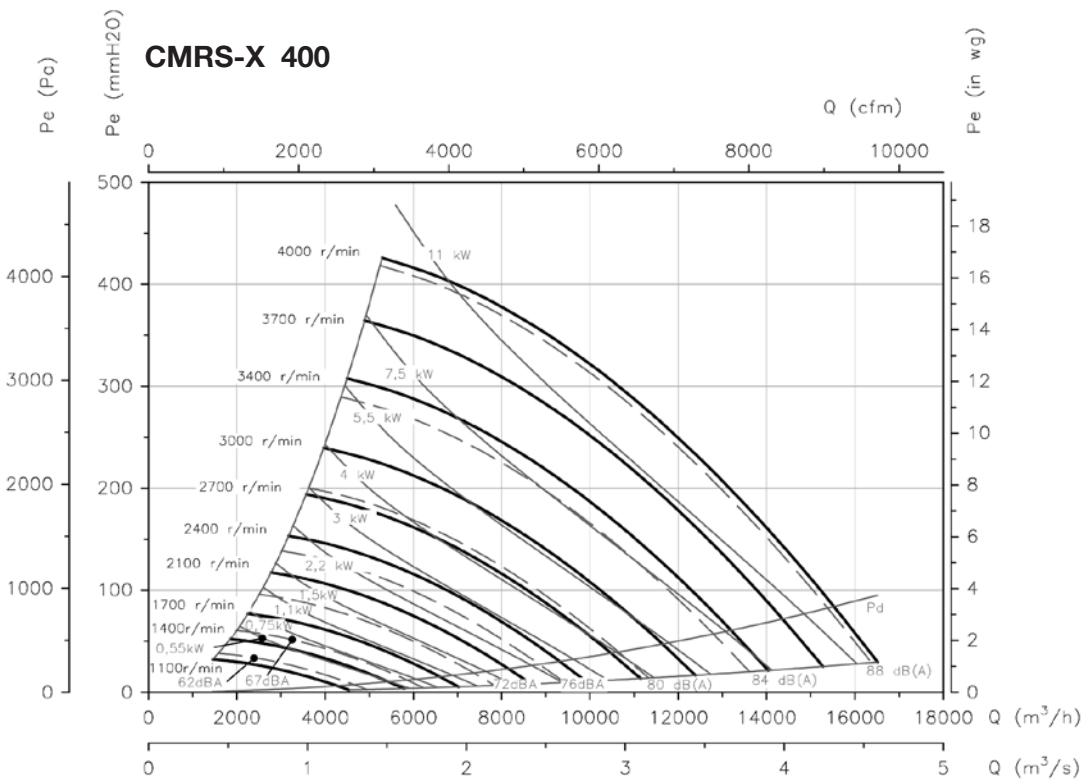
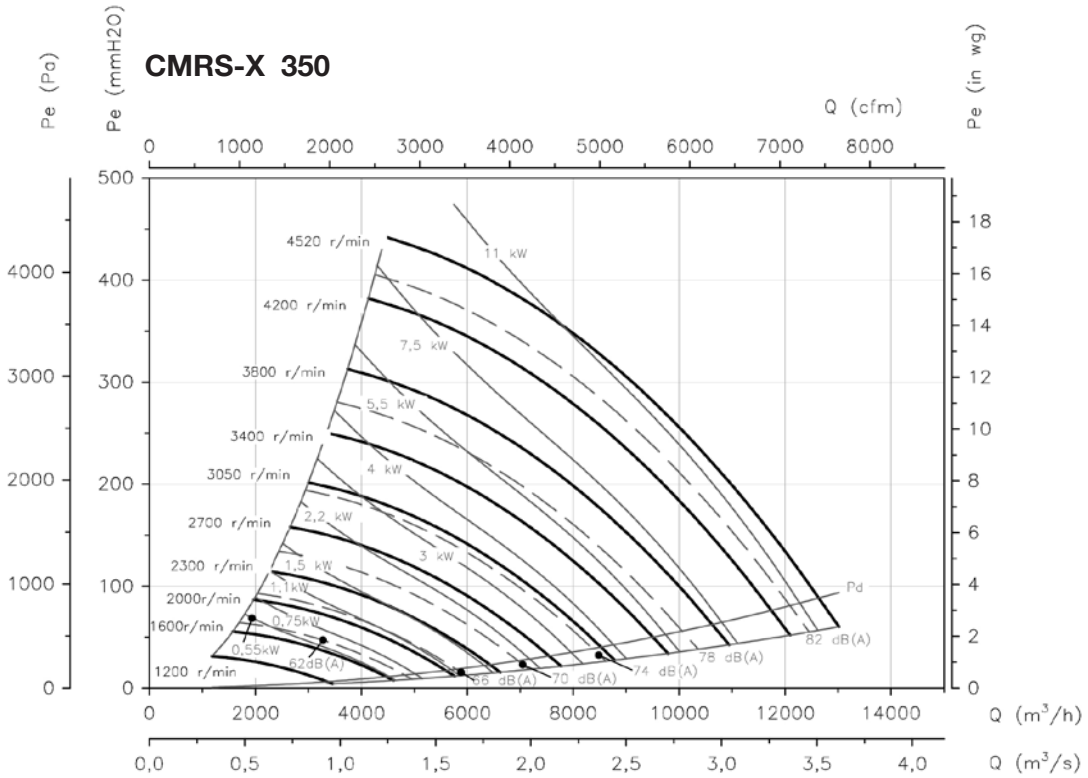
* Recommended nominal tube diameter

CENTRIFUGAL FANS AND IN-LINE DUCT EXTRACTOR FANS

Characteristic curves

Q= Flow rate in m³/h, m³/s and cfm

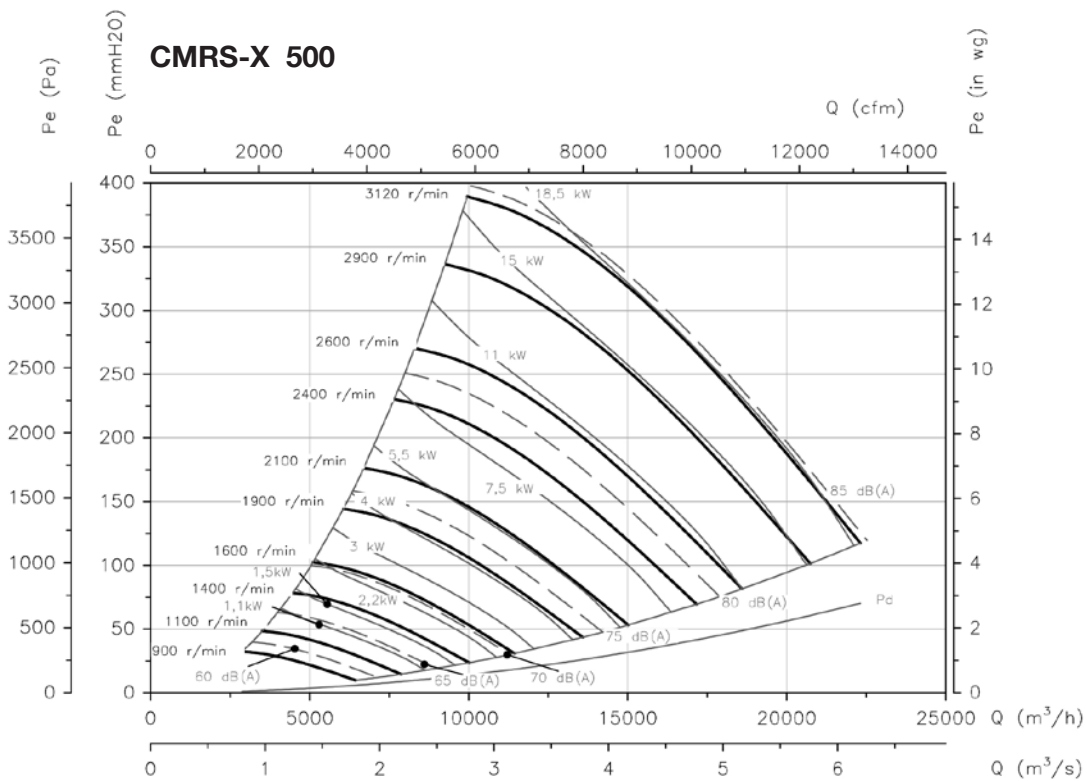
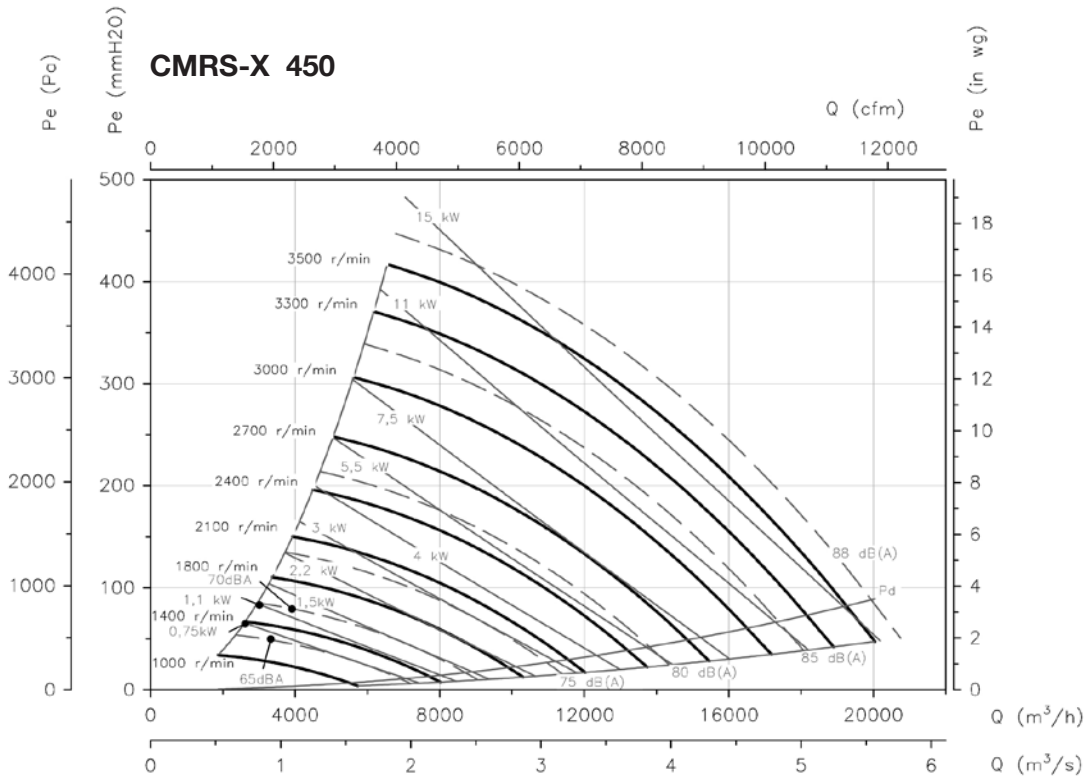
Pe= Static pressure in mm H₂O, Pa and inwg



Characteristic curves

Q= Flow rate in m³/h, m³/s and cfm

Pe= Static pressure in mm H₂O, Pa and inwg

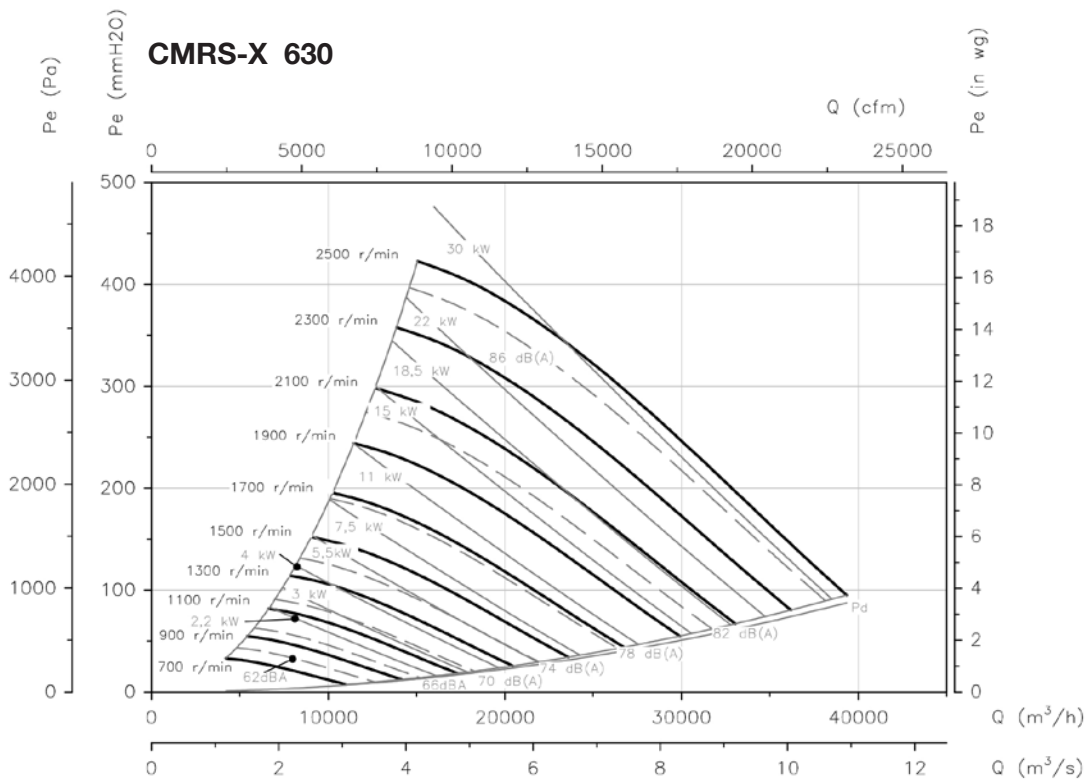
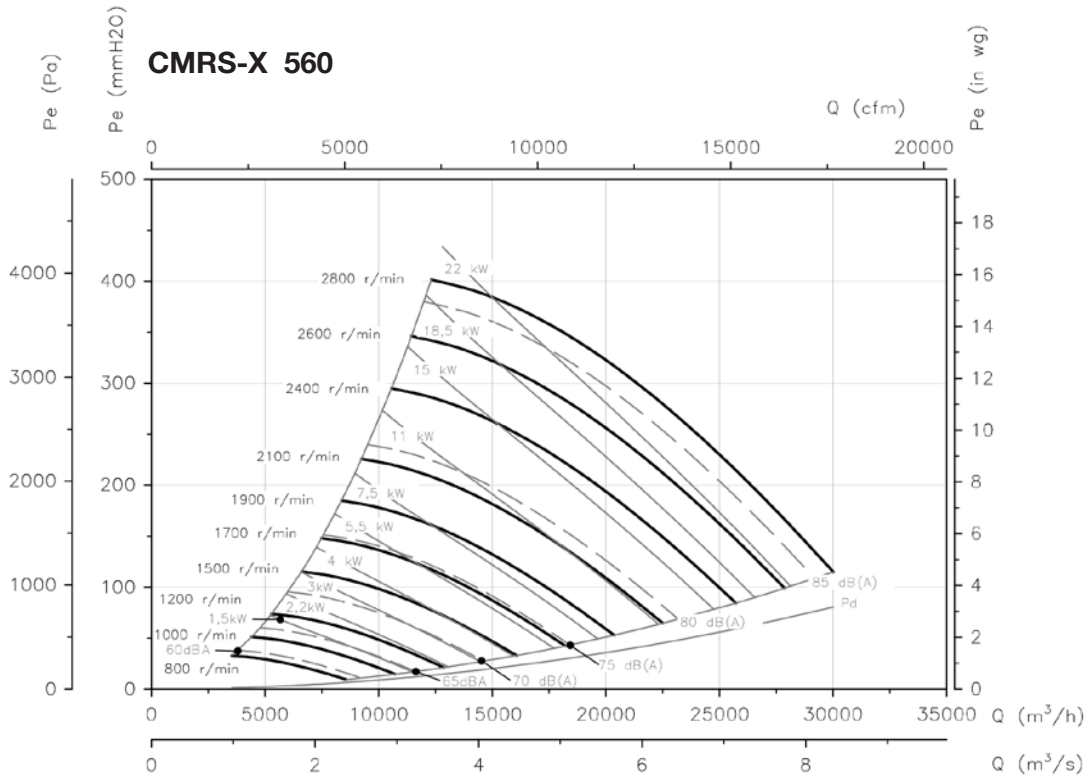


CENTRIFUGAL FANS AND IN-LINE DUCT EXTRACTOR FANS

Characteristic curves

Q= Flow rate in m³/h, m³/s and cfm

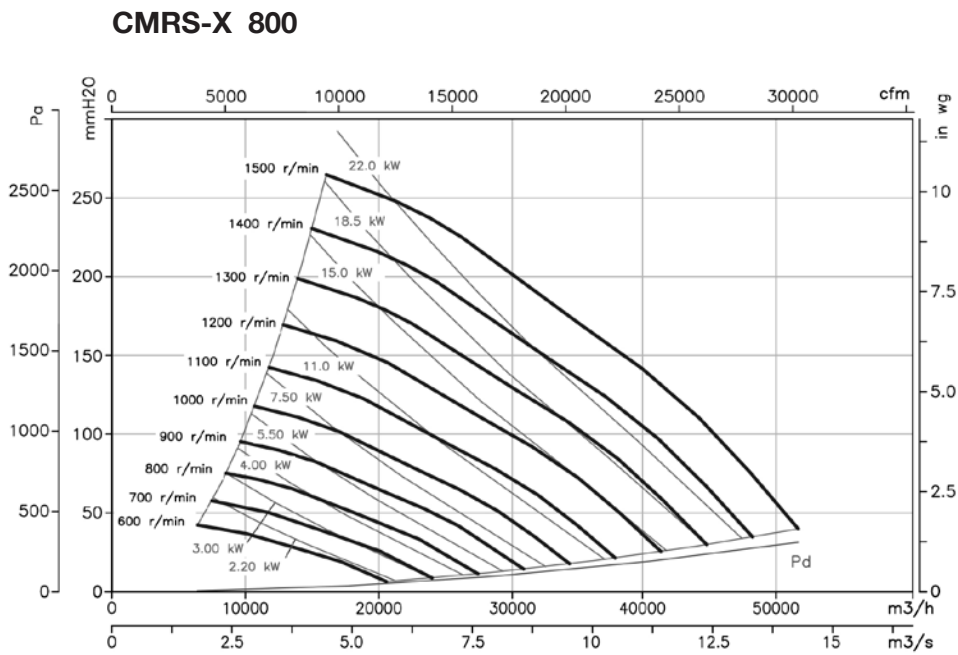
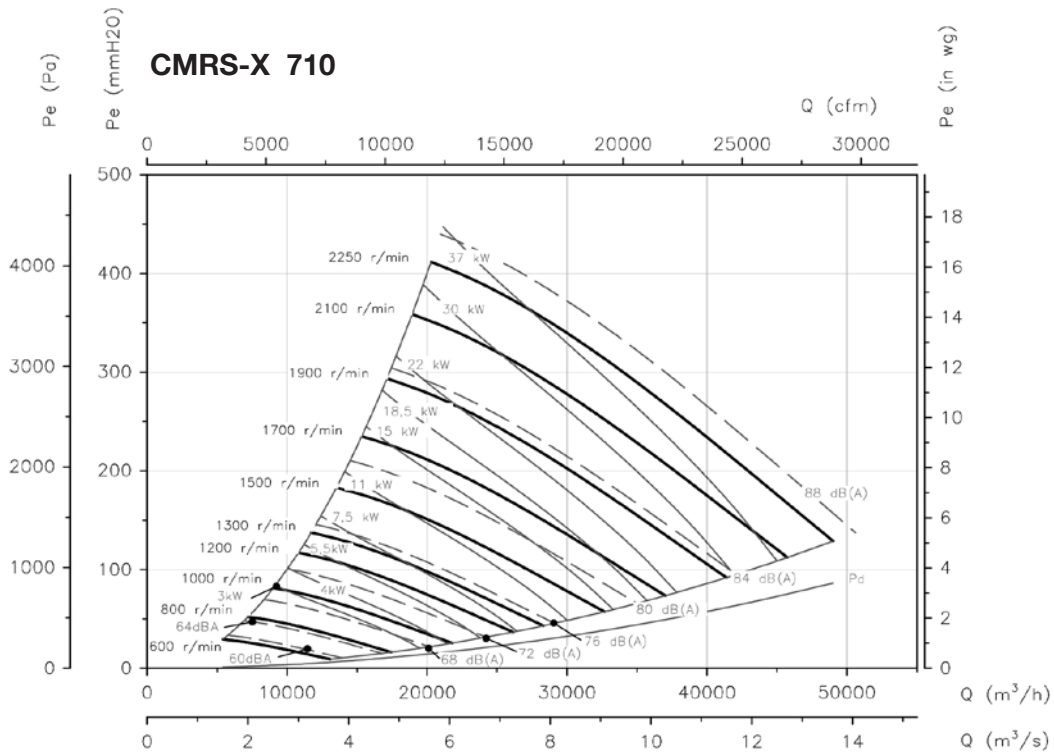
Pe= Static pressure in mm H₂O, Pa and inwg



Characteristic curves

Q= Flow rate in m³/h, m³/s and cfm

Pe= Static pressure in mm H₂O, Pa and inwg



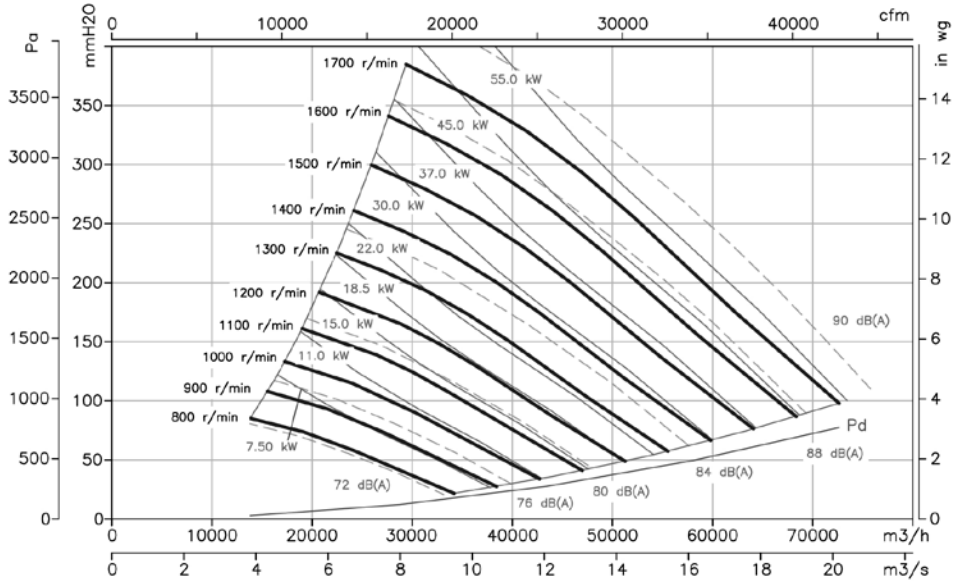
CENTRIFUGAL FANS AND IN-LINE DUCT EXTRACTOR FANS

Characteristic curves

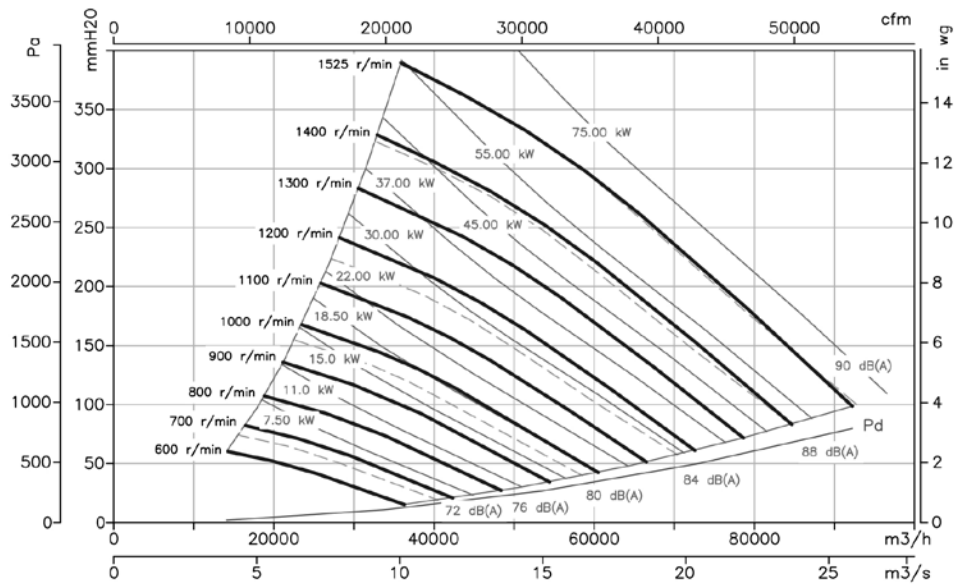
Q= Flow rate in m³/h, m³/s and cfm

Pe= Static pressure in mm H₂O, Pa and inwg

CMRS-X 900



CMRS-X 1000

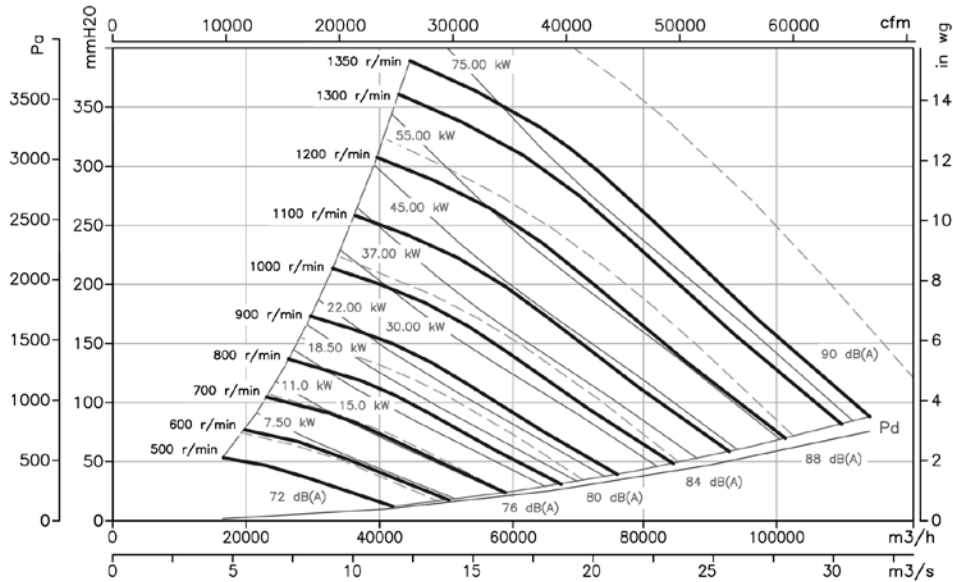


Characteristic curves

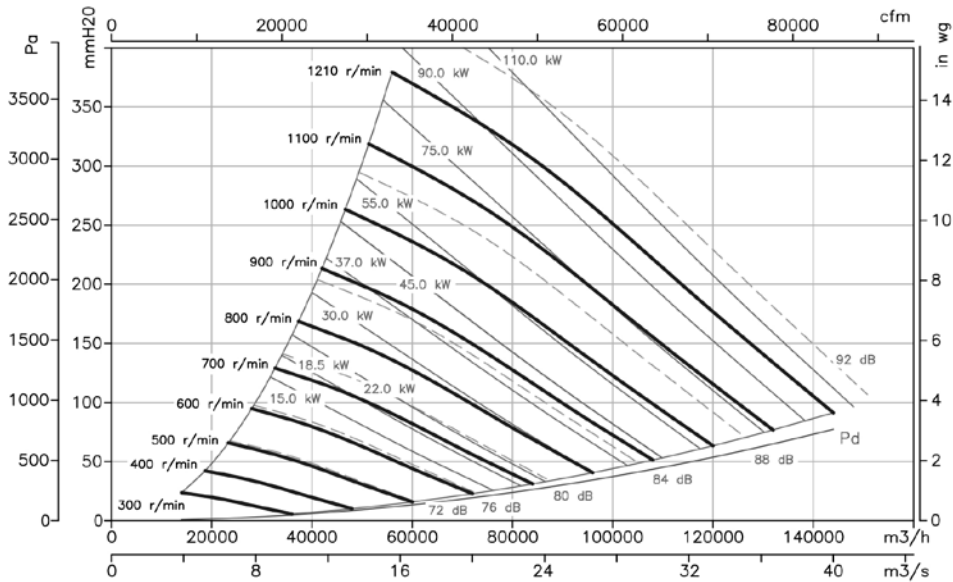
Q= Flow rate in m³/h, m³/s and cfm

Pe= Static pressure in mm H₂O, Pa and inwg

CMRS-X 1120



CMRS-X 1250



Orientation

Standard supply LG 270

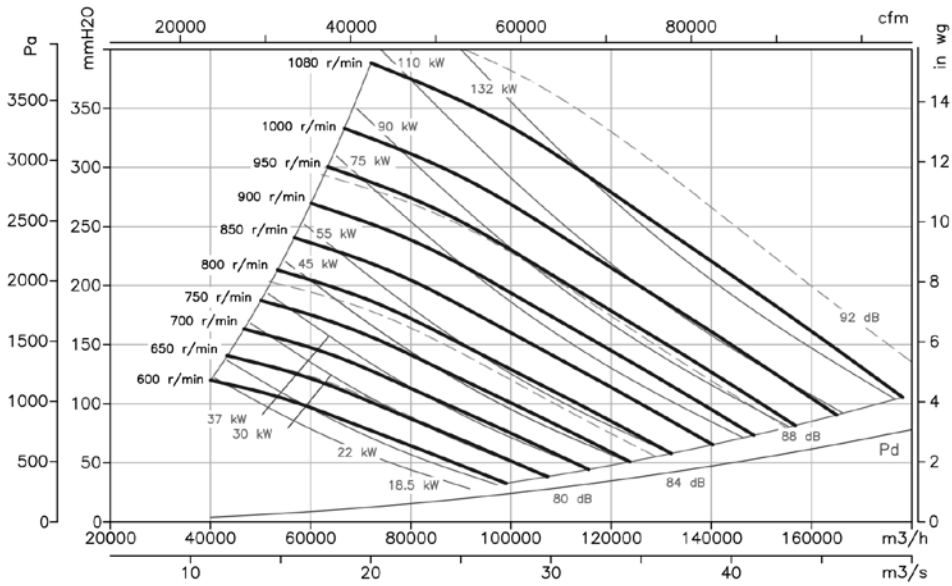


Characteristic curves

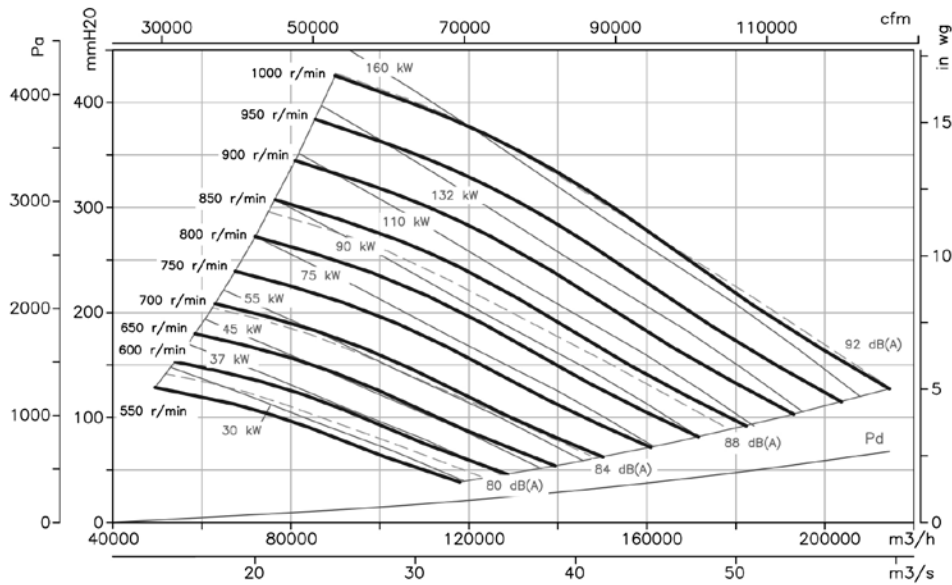
Q= Flow rate in m³/h, m³/s and cfm

Pe= Static pressure in mm H₂O, Pa and inwg

CMRS-X 1400

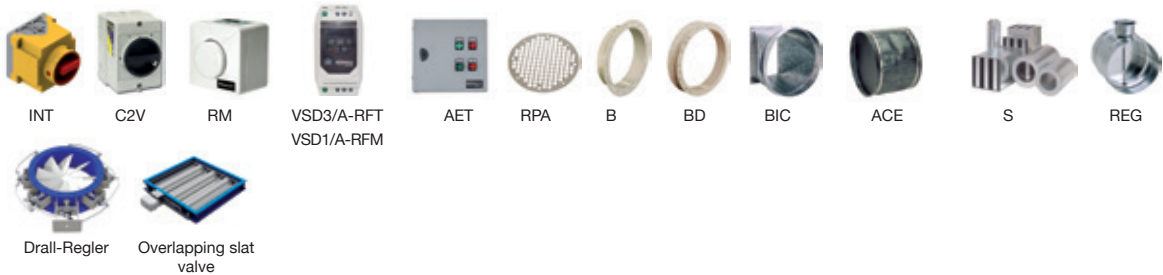


CMRS-X 1600



Accessories

See accessories section.



CASB



Extremely robust, high pressure, single inlet centrifugal fans with sheet steel casing and impeller.



Fan:

- Sheet steel casing.
- Backward-curved impeller in extremely robust sheet steel, specially designed for transporting clean and dusty air or air with granulated particles.
- Motor coupled directly.

Motor:

- IE3 efficiency motors for powers equal to or greater than 0.75 kW except single-phase, 2-speed and 8-pole.
- Class F motors with ball bearings and IP55 protection.
- Three-phase 230/400 V - 50 Hz (up to 4 kW) and 400/690 V - 50 Hz (powers higher than 4 kW).
- Maximum temperature of air to be carried: -25 °C +120 °C.

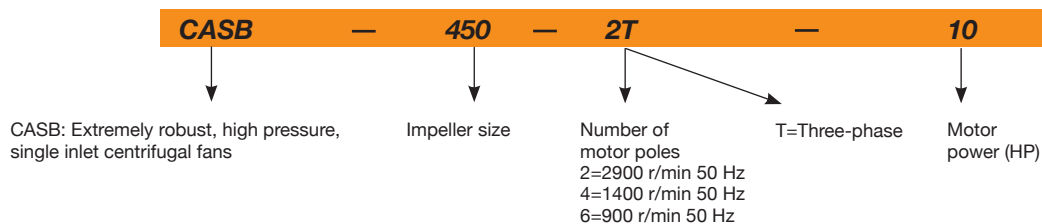
Finish:

- Anti-corrosive finish of polyester resin polymerised at 190 °C, previously degreased with phosphate-free nanotechnological treatment.

On request:

- Special windings for different voltages.
- Fan prepared for air transmission of up to 250 °C.
- Stainless steel fan.
- ATEX-certified Category 2.
- System 8 elastic coupling.

Order code



Technical characteristics

Model	Speed (r/min)	Max. admissible current (A)			Installed power (kW)	Maximum flow rate (m ³ /h)	Sound pressure level dB(A)	Approx. weight (kg)	According to ErP
		230 V	400 V	690 V					
CASB-350-2T-3 IE3	2910	7.32	4.21		2.20	3950	70	73	2015
CASB-400-2T-5.5 IE3	2900	13.00	7.50		4.00	5550	74	108	2015
CASB-450-2T-10 IE3	2935		13.90	8.06	7.50	7900	77	150	2015
CASB-500-2T-15 IE3	2945		20.00	11.60	11.00	10800	80	230	2015
CASB-500-4T-1.5 IE3	1455	4.07	2.34		1.10	5020	62	133	2015
CASB-560-2T-20 IE3	2945		27.70	16.10	15.00	13750	83	282	2015
CASB-560-2T-25 IE3	2945		33.90	19.70	18.50	15900	83	292	2015
CASB-560-4T-3 IE3	1435	7.93	4.56		2.20	7800	65	139	2015
CASB-630-2T-40 IE3	2960		54.50	31.60	30.00	19450	86	382	2015
CASB-630-2T-50 IE3	2960		67.80	39.30	37.00	22700	88	392	2015
CASB-630-4T-5.5 IE3	1450	13.90	8.00		5.50	10900	71	223	2015
CASB-710-4T-7.5 IE3	1465		10.30	5.97	5.50	13000	71	295	2015
CASB-710-4T-10 IE3	1465		13.90	8.06	7.50	15300	73	281	2015
CASB-800-4T-15 IE3	1470		20.90	12.10	11.00	19300	76	421	2015
CASB-800-4T-20 IE3	1465		27.90	16.20	15.00	22450	76	396	2015
CASB-800-6T-5.5 IE3	960	15.60	8.99		4.00	13700	66	335	2015
CASB-900-4T-30 IE3	1470		41.00	23.80	22.00	27550	78	581	2015
CASB-900-4T-40 IE3	1480		57.10	33.10	30.00	31800	79	672	2015
CASB-900-6T-10 IE3	975		14.80	8.58	7.50	19550	68	486	2015
CASB-1000-4T-50 IE3	1480		66.80	38.70	37.00	38600	82	752	2015
CASB-1000-4T-60 IE3	1475		80.90	46.90	45.00	42900	84	759	2015
CASB-1000-6T-15 IE3	975		21.90	12.70	11.00	26750	73	614	2015
CASB-1000-6T-20 IE3	975		28.20	16.30	15.00	29700	73	640	2015
CASB-1120-4T-75 IE3	1480		98.60	57.20	55.00	55100	86	1143	2015
CASB-1120-4T-100 IE3	1485		134.00	77.70	75.00	63050	86	1215	2015

CENTRIFUGAL FANS AND IN-LINE DUCT EXTRACTOR FANS

Technical characteristics

Model	Speed (r/min)	Max. admissible current (A)			Installed power (kW)	Maximum flow rate (m³/h)	Sound pressure level dB(A)	Approx. weight (kg)	According to ErP
		230 V	400 V	690 V					
CASB-1120-6T-25 IE3	980		35.90	20.80	18.50	38000	76	969	2015
CASB-1120-6T-30 IE3	980		42.40	24.60	22.00	41600	77	991	2015
CASB-1250-4T-150 IE3	1490		193.00	112.00	110.00	78600	89	1466	2015
CASB-1250-4T-175 IE3	1490		231.00	134.00	132.00	87500	90	1537	2015
CASB-1250-6T-40 IE3	985		55.40	32.10	30.00	51550	79	1222	2015
CASB-1250-6T-50 IE3	985		67.20	39.00	37.00	57400	79	1319	2015
CASB-1400-6T-60 IE3	985		84.40	48.90	45.00	64350	81	1829	2015
CASB-1400-6T-100 IE3	990		139.00	80.60	75.00	85800	83	1951	2015

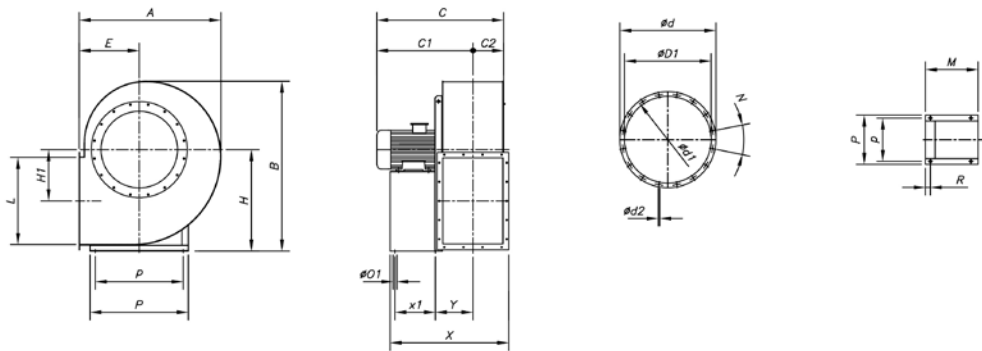


Erp. (Energy Related Products)

Information on Directive 2009/125/EC can be downloaded from the SODECA website or the QuickFan selector programme.

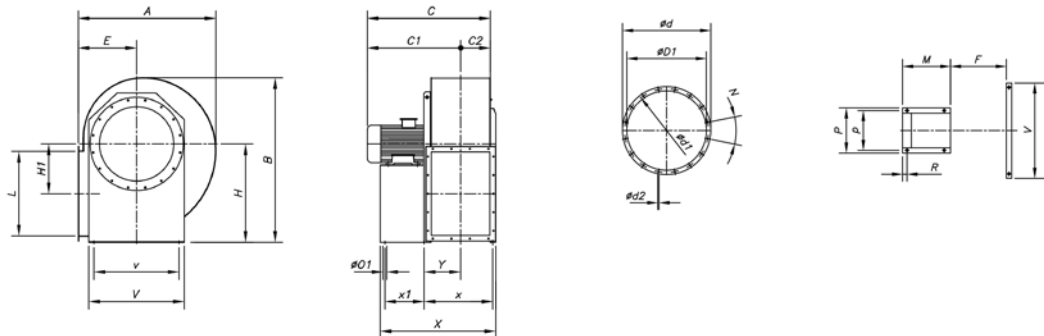
Dimensions mm

CASB-350...500



	A	B	C	C1	C2	ØD1	Ød	Ød1	Ød2	N	E	H	H1	L	M	R	Ø01	P	p	X	x1	Y
CASB-350-2T-3	600	740	530	415	115	285	365	332	10	8X45°	255	450	253	288	225	37	10	260	234	479	133	162
CASB-400-2T-5.5	655	815	630	503	127	320	400	366	12	8X45°	285	500	286	322	280	53	12	324	289	556	197	148
CASB-450-2T-10	735	915	670	530	140	360	440	405	12	8X45°	320	560	321	361	320	43	12	372	337	622	237	171
CASB-500-2T-15	832	1000	830	671	159	405	485	448	12	12x30°	360	600	355	404	435	48	14	440	395	771	337	198
CASB-500-4T-1.5	832	1000	580	421	159	405	485	448	12	12x30°	360	600	355	404	225	47	10	260	234	561	133	203

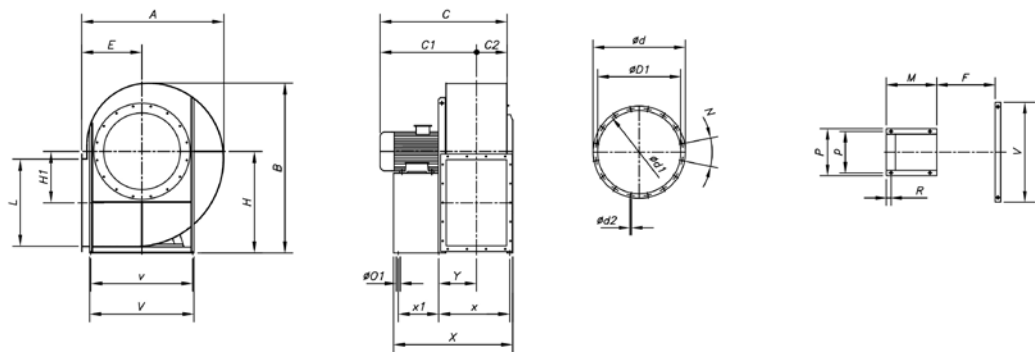
CASB-560...900



	A	B	C	C1	C2	ØD1	Ød	Ød1	Ød2	N	E	H	H1	L	F	M	R	Ø01	P	p	V	v	X	x	x1	Y
CASB-560-2T-20	940	1126	830	650	180	455	535	497	12	12x30°	400	670	390	453	322	435	48	14	440	395	692	632	807	410	337	215
CASB-560-2T-25	940	1126	830	650	180	455	535	497	12	12x30°	400	670	390	453	322	435	48	14	440	395	692	632	807	410	337	215
CASB-560-4T-3	940	1126	655	475	180	455	535	497	12	12x30°	400	670	390	453	322	280	53	12	324	289	692	632	652	390	197	195
CASB-630-2T-40	1052	1260	1030	830	200	505	585	551	13	12x30°	450	750	439	507	361	500	39	20	568	506	762	702	911	475	381	265
CASB-630-2T-50	1052	1260	1030	830	200	505	585	551	13	12x30°	450	750	439	507	361	500	39	20	568	506	762	702	911	475	381	265
CASB-630-4T-5.5	1052	1260	725	525	200	505	585	551	13	12x30°	450	750	439	507	361	280	53	14	324	289	762	702	691	430	197	215
CASB-710-4T-7.5	1189	1416	830	609	221	565	665	629	13	12x30°	500	850	500	569	404	320	59	20	826	772	915	772	784	497	201	265
CASB-710-4T-10	1189	1416	816	595	221	565	665	629	13	12x30°	500	850	500	569	404	320	59	20	826	772	915	772	784	497	201	265
CASB-800-4T-15	1340	1591	880	634	246	635	735	698	15	12x30°	560	950	560	638	453	435	59	20	926	862	1045	862	948	546	315	290
CASB-800-4T-20	1340	1591	880	634	246	635	735	698	15	12x30°	560	950	560	638	453	435	59	20	926	862	1045	862	948	546	315	290
CASB-800-6T-5.5	1340	1591	860	614	246	635	735	698	15	12x30°	560	950	560	638	453	320	59	20	926	862	1045	862	833	546	201	289
CASB-900-4T-30	1500	1780	1032	755	277	715	815	775	15	16x22°30'	630	1060	630	715	507	480	59	20	1026	962	1145	962	1067	600	361	313
CASB-900-4T-40	1500	1780	1170	893	277	715	815	775	15	16x22°30'	630	1060	630	715	507	500	39	20	1026	962	1145	962	1087	600	401	316
CASB-900-6T-10	1500	1780	997	720	277	715	815	775	15	16x22°30'	630	1060	630	715	507	435	59	20	1026	962	1145	962	1022	600	316	313

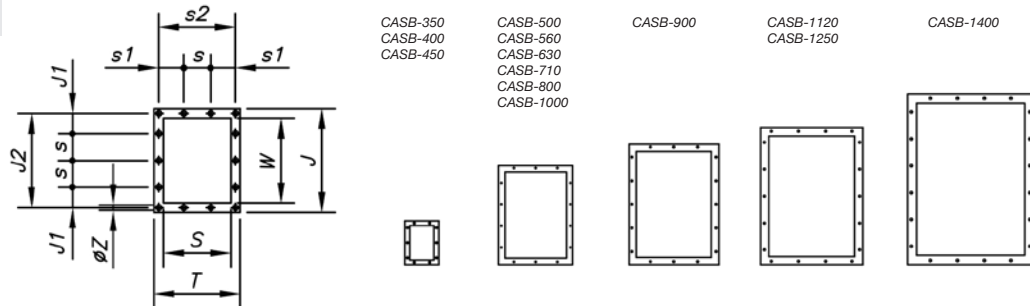
Dimensions mm

CASB-1000...1400



	A	B	C	C1	C2	ØD1	Ød	Ød1	Ød2	N	E	H	H1	L	F	M	R	ØO1	P	p	V	v	X	x	x1	Y
CASB-1000-4T-50	1685	1993	1240	932	308	805	905	861	15	16x22°30'	710	1180	710	801	569	550	55	20	1128	1056	1255	1056	1199	657	440	339
CASB-1000-4T-60	1685	1993	1240	932	308	805	905	861	15	16x22°30'	710	1180	710	801	569	550	55	20	1128	1056	1255	1056	1199	657	440	339
CASB-1000-6T-15	1685	1993	1115	807	308	805	905	861	15	16x22°30'	710	1180	710	801	569	435	65	20	1128	1056	1255	1056	1084	657	315	339
CASB-1000-6T-20	1685	1993	1150	842	308	805	905	861	15	16x22°30'	710	1180	710	801	569	480	65	20	1128	1056	1255	1056	1129	657	360	339
CASB-1120-4T-75	1884	2222	1500	1157	343	905	1005	958	15	16x22°30'	800	1320	800	898	638	600	45	24	1268	1178	1400	1178	1318	763	475	379
CASB-1120-4T-100	1884	2222	1540	1197	343	905	1005	958	15	16x22°30'	800	1320	800	898	638	690	45	24	1268	1178	1400	1178	1408	763	565	399
CASB-1120-6T-25	1884	2222	1397	1054	343	905	1005	958	15	16x22°30'	800	1320	800	898	638	500	45	24	1268	1178	1400	1178	1218	763	375	379
CASB-1120-6T-30	1884	2222	1397	1054	343	905	1005	958	15	16x22°30'	800	1320	800	898	638	500	45	24	1268	1178	1400	1178	1218	763	375	379
CASB-1250-4T-150	2075	2505	1678	1293	385	1008	1108	1067	10	24x15°	900	1500	900	1007	715	800	50	24	1390	1300	1540	1310	1585	840	670	437
CASB-1250-4T-175	2075	2505	1678	1293	385	1008	1108	1067	10	24x15°	900	1500	900	1007	715	800	50	24	1390	1300	1540	1310	1585	840	670	437
CASB-1250-6T-40	2075	2505	1458	1073	385	1008	1108	1067	10	24x15°	900	1500	900	1007	715	550	50	24	1390	1300	1540	1310	1335	840	420	437
CASB-1250-6T-50	2075	2505	1533	1148	385	1008	1108	1067	10	24x15°	900	1500	900	1007	715	620	50	24	1390	1300	1540	1310	1405	840	490	437
CASB-1400-6T-60	2305	2815	1745	1315	430	1130	1250	1200	10	24x15°	1000	1700	1000	1130	801	740	60	24	1530	1450	1690	1450	1641	946	580	500
CASB-1400-6T-100	2305	2815	1765	1335	430	1130	1250	1200	10	24x15°	1000	1700	1000	1130	801	800	60	24	1530	1450	1690	1450	1701	946	640	500

Outlet nozzle

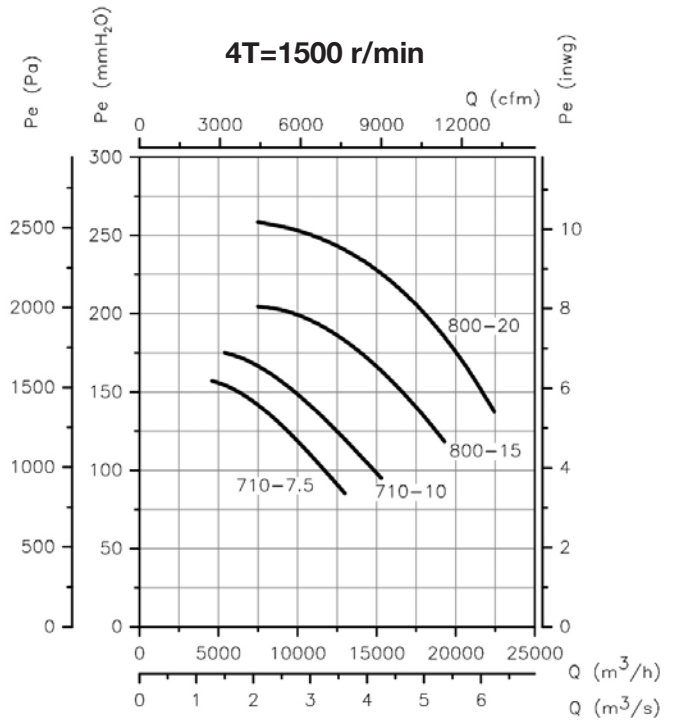
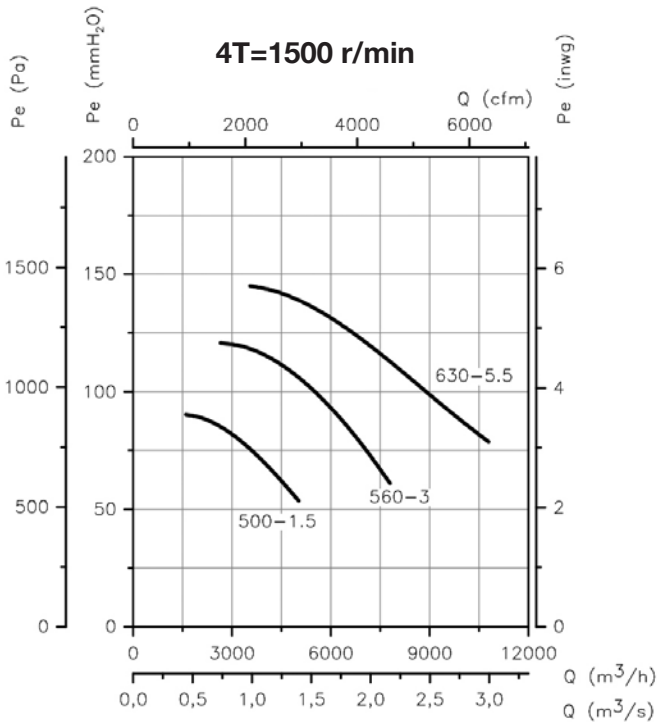
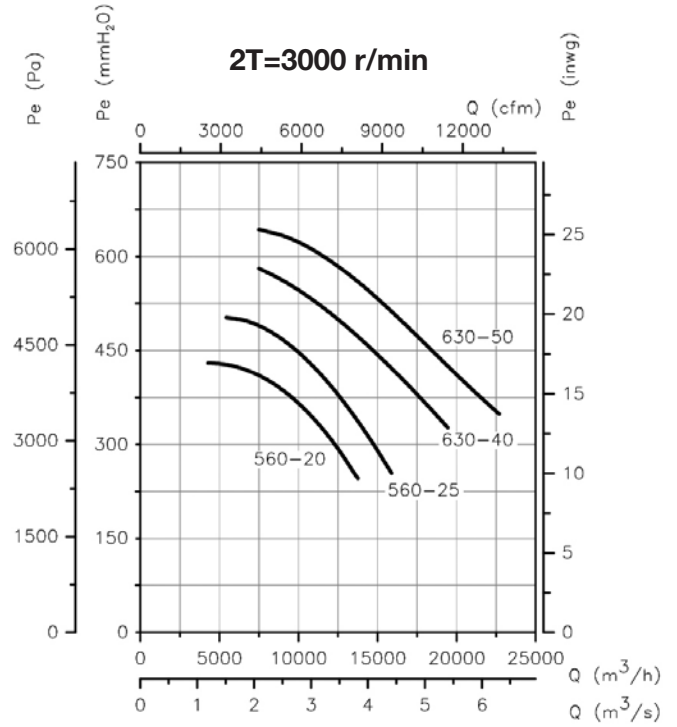
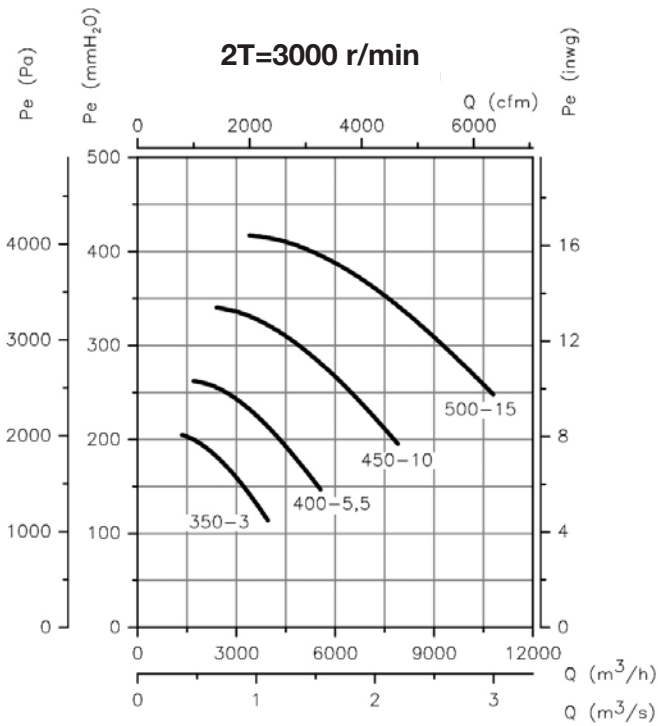


	T	J	J1	J2	S	s	s1	s2	W	ØZ
CASB-350	285	368	41	332	205	125	62	249	288	12
CASB-400	309	402	58	366	229	125	74	273	322	12
CASB-450	336	441	78	405	256	125	88	300	361	12
CASB-500	368	484	37	448	288	125	41	332	404	12
CASB-560	402	533	61	497	322	125	58	366	453	12
CASB-630	441	587	88	551	361	125	78	405	507	12
CASB-710	504	669	75	629	404	160	72	464	569	14
CASB-800	553	738	109	698	453	160	97	513	638	14
CASB-900	607	815	68	775	507	160	124	567	715	14
CASB-1000	689	921	136	871	569	200	120	639	801	14
CASB-1120	758	1018	84	968	638	200	54	708	898	14
CASB-1250	835	1127	139	1077	715	200	93	785	1007	14
CASB-1400	941	1270	105	1210	801	200	141	881	1130	18

Characteristic curves

Q= Flow rate in m³/h, m³/s and cfm

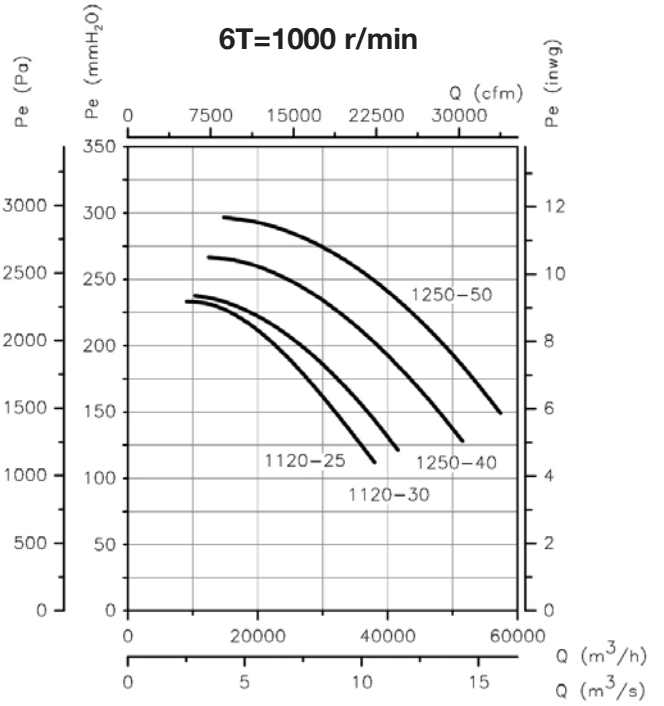
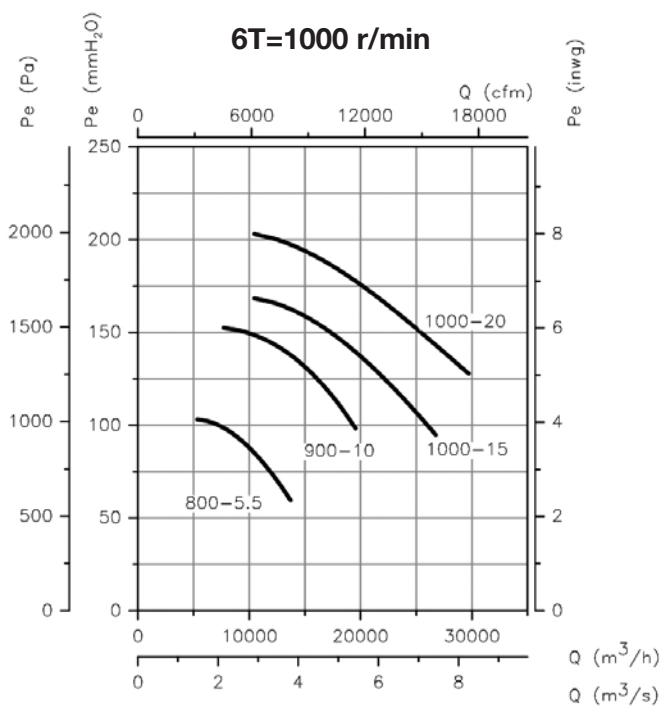
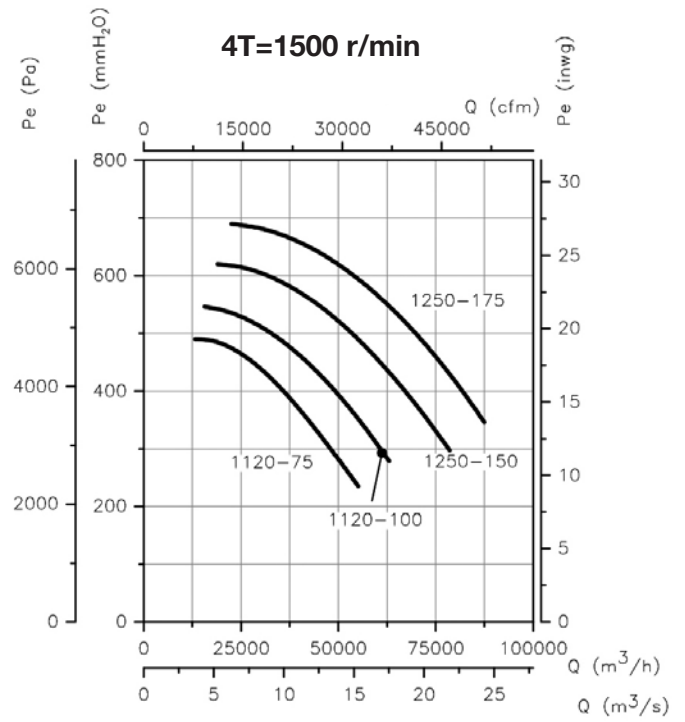
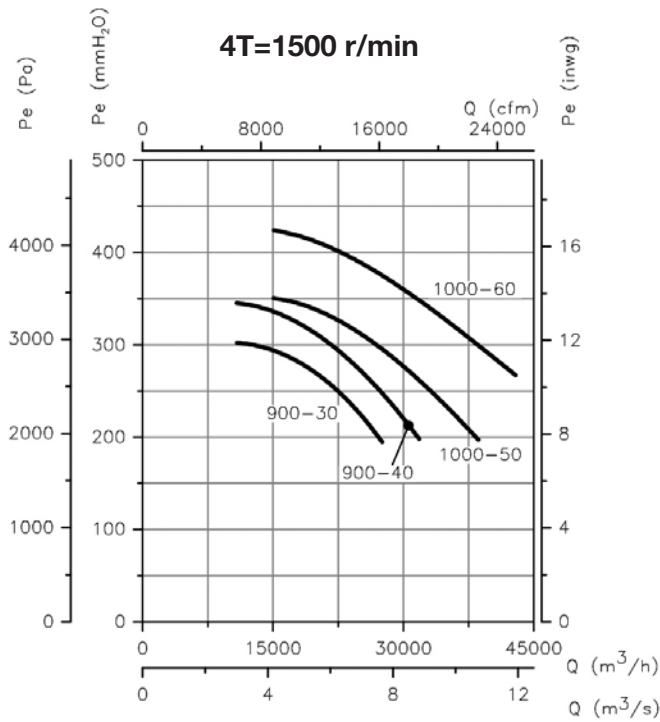
Pe= Static pressure in mm H₂O, Pa and inwg



Characteristic curves

Q= Flow rate in m³/h, m³/s and cfm

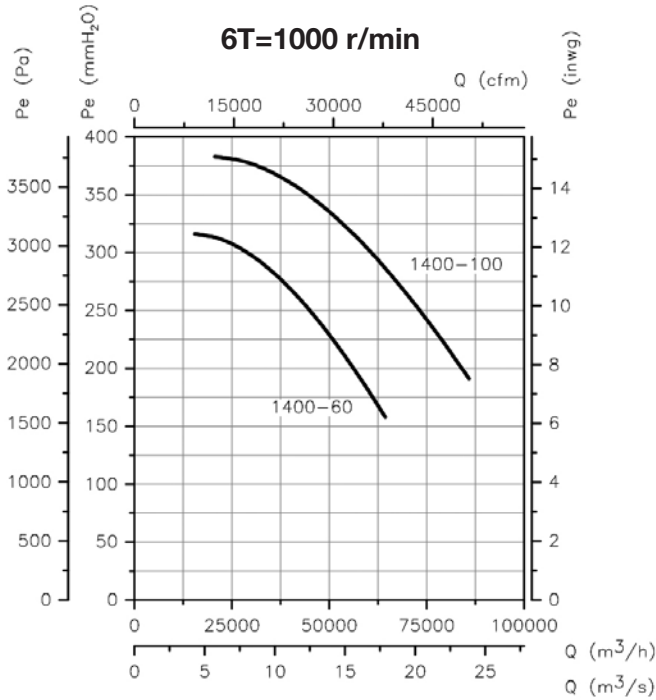
Pe= Static pressure in mm H₂O, Pa and inwg



Characteristic curves

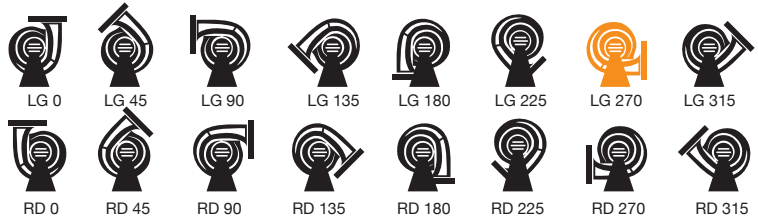
Q= Flow rate in m³/h, m³/s and cfm

Pe= Static pressure in mm H₂O, Pa and inwg



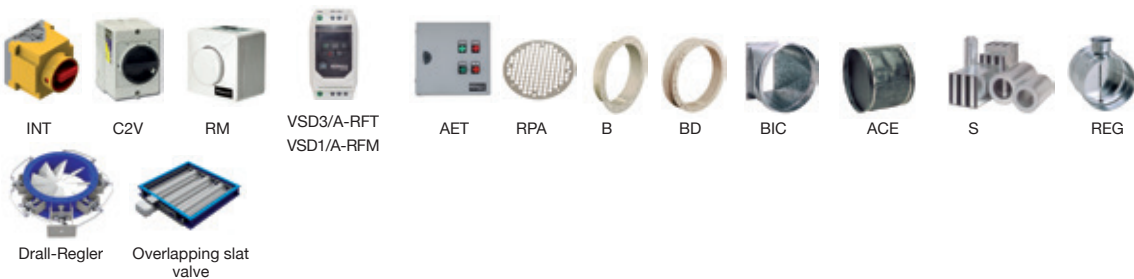
Orientation

LG270 standard supply, other positions on request. Models 350 to 630 are adjustable. Special sizes in positions 180 and 225. Models 710 to 1400 are not adjustable. Special sizes except position 315.



Accessories

See accessories section.



CASB-X



Belt-driven, high pressure fans fitted with electric motors and a standardised set of pulleys, belts and protectors in accordance with standard ISO-13857.



Fan:

- Sheet steel casing.
- Impeller with reaction blades in extremely robust sheet steel.
- Motor assembled on the general bench.

Motor:

- IE3 efficiency motors.
- Class F motors with ball bearings and IP55 protection.
- Three-phase 230/400 V - 50 Hz (up to 4 kW) and 400/690 V - 50 Hz (powers higher than 4 kW).
- Maximum temperature of air to be carried: -25 °C +120 °C.

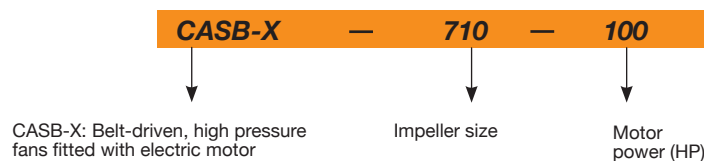
Finish:

- Anti-corrosive finish of polyester resin polymerised at 190 °C, previously degreased with phosphate-free nanotechnological treatment.

On request:

- Special windings for different voltages.
- Fan prepared for air transmission of up to 250 °C.
- Stainless steel fan.
- ATEX-certified Category 2.
- System 8 elastic coupling.

Order code



Technical characteristics

Model	Speed (r/min)	Max. admissible current (A)			Installed power (kW)	Maximum flow rate (m ³ /h)	Maximum pressure (mm H ₂ O)	Weight (kg)	According to ErP
		230 V	400 V	690 V					
CASB-X-350-1 IE3	1995	2.82	1.62		0.75	2640	100	102	2015
CASB-X-350-1.5 IE3	2270	4.07	2.34		1.10	3000	130	112	2015
CASB-X-350-2 IE3	2520	5.48	3.15		1.50	3330	160	115	2015
CASB-X-350-3 IE3	2870	7.93	4.56		2.20	3790	210	124	2015
CASB-X-350-4 IE3	3045	10.70	6.15		3.00	4020	235	130	2015
CASB-X-350-5.5 IE3	3525	13.90	8.00		4.00	4660	315	141	2015
CASB-X-350-7.5 IE3	3935		10.30	5.97	5.50	5200	390	166	2015
CASB-X-350-10 IE3	4200		13.90	8.06	7.50	5550	445	175	2015
CASB-X-400-1.5 IE3	1915	4.07	2.34		1.10	3850	110	131	2015
CASB-X-400-2 IE3	2125	5.48	3.15		1.50	4280	135	134	2015
CASB-X-400-3 IE3	2420	7.93	4.56		2.20	4870	175	143	2015
CASB-X-400-4 IE3	2695	10.70	6.15		3.00	5420	220	149	2015
CASB-X-400-5.5 IE3	2970	13.90	8.00		4.00	5980	265	160	2015
CASB-X-400-7.5 IE3	3315		10.30	5.97	5.50	6670	330	185	2015
CASB-X-400-10 IE3	3675		13.90	8.06	7.50	7390	405	194	2015
CASB-X-400-15 IE3	3900		20.90	12.10	11.00	7840	460	234	2015
CASB-X-450-2 IE3	1720	5.48	3.15		1.50	5090	120	148	2015
CASB-X-450-3 IE3	1960	7.93	4.56		2.20	5800	155	157	2015
CASB-X-450-4 IE3	2180	10.70	6.15		3.00	6440	190	163	2015
CASB-X-450-5.5 IE3	2405	13.90	8.00		4.00	7110	230	174	2015
CASB-X-450-7.5 IE3	2685		10.30	5.97	5.50	7940	290	199	2015
CASB-X-450-10 IE3	2980		13.90	8.06	7.50	8800	355	208	2015

CENTRIFUGAL FANS AND IN-LINE DUCT EXTRACTOR FANS

Technical characteristics

Model	Speed (r/min)	Max. admissible current (A)			Installed power (kW)	Maximum flow rate (m ³ /h)	Maximum pressure (mm H ₂ O)	Weight (kg)	According to ErP
		230 V	400 V	690 V					
CASB-X-450-15 IE3	3385		20.90	12.10	11.00	10000	460	248	2015
CASB-X-450-20 IE3	3650		27.90	16.20	15.00	10790	535	270	2015
CASB-X-500-3 IE3	1640	7.93	4.56		2.20	6710	135	196	2015
CASB-X-500-4 IE3	1820	10.70	6.15		3.00	7460	165	202	2015
CASB-X-500-5.5 IE3	2010	13.90	8.00		4.00	8230	205	213	2015
CASB-X-500-7.5 IE3	2245		10.30	5.97	5.50	9190	255	238	2015
CASB-X-500-10 IE3	2325		13.90	8.06	7.50	9520	270	247	2015
CASB-X-500-15 IE3	2830		20.90	12.10	11.00	11580	400	287	2015
CASB-X-500-20 IE3	3135		27.90	16.20	15.00	12840	495	309	2015
CASB-X-500-25 IE3	3365		35.10	20.30	18.50	13770	570	347	2015
CASB-X-560-5.5 IE3	1675	13.90	8.00		4.00	9590	175	238	2015
CASB-X-560-7.5 IE3	1870		10.30	5.97	5.50	10700	220	263	2015
CASB-X-560-10 IE3	2075		13.90	8.06	7.50	11870	270	272	2015
CASB-X-560-15 IE3	2135		20.90	12.10	11.00	12210	285	312	2015
CASB-X-560-20 IE3	2610		27.90	16.20	15.00	14940	430	334	2015
CASB-X-560-25 IE3	2800		35.10	20.30	18.50	16040	495	372	2015
CASB-X-560-30 IE3	2970		41.00	23.80	22.00	16990	555	389	2015
CASB-X-560-40 IE3	3150		57.10	33.10	30.00	18040	625	432	2015
CASB-X-630-10 IE3	1685		13.90	8.06	7.50	13530	215	353	2015
CASB-X-630-15 IE3	1735		20.90	12.10	11.00	13920	230	393	2015
CASB-X-630-20 IE3	2125		27.90	16.20	15.00	17040	340	415	2015
CASB-X-630-25 IE3	2280		35.10	20.30	18.50	18290	395	453	2015
CASB-X-630-30 IE3	2415		41.00	23.80	22.00	19380	440	470	2015
CASB-X-630-40 IE3	2675		57.10	33.10	30.00	21480	540	513	2015
CASB-X-630-50 IE3	2870		66.80	38.70	37.00	23040	625	660	2015
CASB-X-630-60 IE3	2950		80.90	46.90	45.00	23680	660	695	2015
CASB-X-710-20 IE3	1690		27.90	16.20	15.00	19650	290	475	2015
CASB-X-710-25 IE3	1810		35.10	20.30	18.50	21050	335	513	2015
CASB-X-710-30 IE3	1910		41.00	23.80	22.00	22200	370	530	2015
CASB-X-710-40 IE3	2120		57.10	33.10	30.00	24650	460	573	2015
CASB-X-710-50 IE3	2280		66.80	38.70	37.00	26500	530	720	2015
CASB-X-710-60 IE3	2430		80.90	46.90	45.00	28250	605	755	2015
CASB-X-710-75 IE3	2600		98.60	57.20	55.00	30200	690	800	2015
CASB-X-710-100 IE3	2890		134.00	77.70	75.00	33600	850	995	2015
CASB-X-800-20 IE3	1380		27.90	16.20	15.00	23750	245	600	2015
CASB-X-800-25 IE3	1480		35.10	20.30	18.50	25450	280	638	2015
CASB-X-800-30 IE3	1570		41.00	23.80	22.00	27000	315	655	2015
CASB-X-800-40 IE3	1740		57.10	33.10	30.00	29900	390	698	2015
CASB-X-800-50 IE3	1850		66.80	38.70	37.00	31800	440	845	2015
CASB-X-800-60 IE3	1980		80.90	46.90	45.00	34050	505	880	2015
CASB-X-800-75 IE3	2120		98.60	57.20	55.00	36450	580	925	2015
CASB-X-800-100 IE3	2350		134.00	77.70	75.00	40400	710	1120	2015
CASB-X-900-30 IE3	1310		41.00	23.80	22.00	31450	275	770	2015
CASB-X-900-40 IE3	1460		57.10	33.10	30.00	35050	340	813	2015
CASB-X-900-50 IE3	1570		66.80	38.70	37.00	37700	395	960	2015
CASB-X-900-60 IE3	1670		80.90	46.90	45.00	40100	445	995	2015
CASB-X-900-75 IE3	1780		98.60	57.20	55.00	42750	510	1040	2015
CASB-X-900-100 IE3	1970		134.00	77.70	75.00	47300	620	1235	2015
CASB-X-900-125 IE3	2100		158.00	91.60	90.00	50400	705	1305	2015
CASB-X-900-150 IE3	2240		193.00	112.00	110.00	53750	805	1580	2015
CASB-X-1000-40 IE3	1210		57.10	33.10	30.00	39750	295	968	2015
CASB-X-1000-50 IE3	1300		66.80	38.70	37.00	42700	340	1115	2015
CASB-X-1000-60 IE3	1390		80.90	46.90	45.00	45650	390	1150	2015
CASB-X-1000-75 IE3	1480		98.60	57.20	55.00	48600	440	1195	2015
CASB-X-1000-100 IE3	1650		134.00	77.70	75.00	54200	550	1390	2015
CASB-X-1000-125 IE3	1750		158.00	91.60	90.00	57500	620	1460	2015
CASB-X-1000-150 IE3	1870		193.00	112.00	110.00	61450	705	1735	2015
CASB-X-1000-175 IE3	1980		231.00	134.00	132.00	65050	790	1795	2015
CASB-X-1120-50 IE3	1100		66.80	38.70	37.00	48050	305	1307	2015
CASB-X-1120-60 IE3	1190		80.90	46.90	45.00	52000	360	1342	2015

Technical characteristics

Model	Speed (r/min)	Max. admissible current (A)			Installed power (kW)	Maximum flow rate (m ³ /h)	Maximum pressure (mm H ₂ O)	Weight (kg)	According to ErP
		230 V	400 V	690 V					
CASB-X-1120-75 IE3	1270	98.60	57.20	55.00	55500	410	1387	2015	
CASB-X-1120-100 IE3	1400	134.00	77.70	75.00	61150	495	1582	2015	
CASB-X-1120-125 IE3	1500	158.00	91.60	90.00	65500	570	1652	2015	
CASB-X-1120-150 IE3	1600	193.00	112.00	110.00	69900	645	1927	2015	
CASB-X-1120-175 IE3	1700	231.00	134.00	132.00	74250	730	1987	2015	
CASB-X-1120-220 IE3	1800	280.00	162.00	160.00	78650	820	2057	2015	
CASB-X-1250-60 IE3	980	80.90	46.90	45.00	63350	310	1625	2015	
CASB-X-1250-75 IE3	1050	98.60	57.20	55.00	67900	355	1670	2015	
CASB-X-1250-100 IE3	1160	134.00	77.70	75.00	75000	435	1865	2015	
CASB-X-1250-125 IE3	1230	158.00	91.60	90.00	79550	485	1935	2015	
CASB-X-1250-150 IE3	1320	193.00	112.00	110.00	85350	560	2210	2015	
CASB-X-1250-175 IE3	1400	231.00	134.00	132.00	90550	630	2270	2015	
CASB-X-1250-220 IE3	1500	280.00	162.00	160.00	97000	725	2340	2015	
CASB-X-1250-270 IE3	1600	346.00	201.00	200.00	103450	825	2592	2015	
CASB-X-1400-75 IE3	870	98.60	57.20	55.00	77450	300	2035	2015	
CASB-X-1400-100 IE3	970	134.00	77.70	75.00	86350	370	2230	2015	
CASB-X-1400-125 IE3	1030	158.00	91.60	90.00	91700	420	2300	2015	
CASB-X-1400-150 IE3	1100	193.00	112.00	110.00	97900	480	2575	2015	
CASB-X-1400-175 IE3	1170	231.00	134.00	132.00	104150	540	2635	2015	
CASB-X-1400-220 IE3	1240	280.00	162.00	160.00	110350	610	2705	2015	
CASB-X-1400-270 IE3	1340	346.00	201.00	200.00	119250	710	2957	2015	
CASB-X-1600-100 IE3	760	134.00	77.70	75.00	100100	290	2625	2015	
CASB-X-1600-125 IE3	810	158.00	91.60	90.00	106700	330	2695	2015	
CASB-X-1600-150 IE3	870	193.00	112.00	110.00	114600	385	2970	2015	
CASB-X-1600-175 IE3	920	231.00	134.00	132.00	121200	430	3030	2015	
CASB-X-1600-220 IE3	980	280.00	162.00	160.00	129100	485	3100	2015	
CASB-X-1600-270 IE3	1060	346.00	201.00	200.00	139650	570	3352	2015	

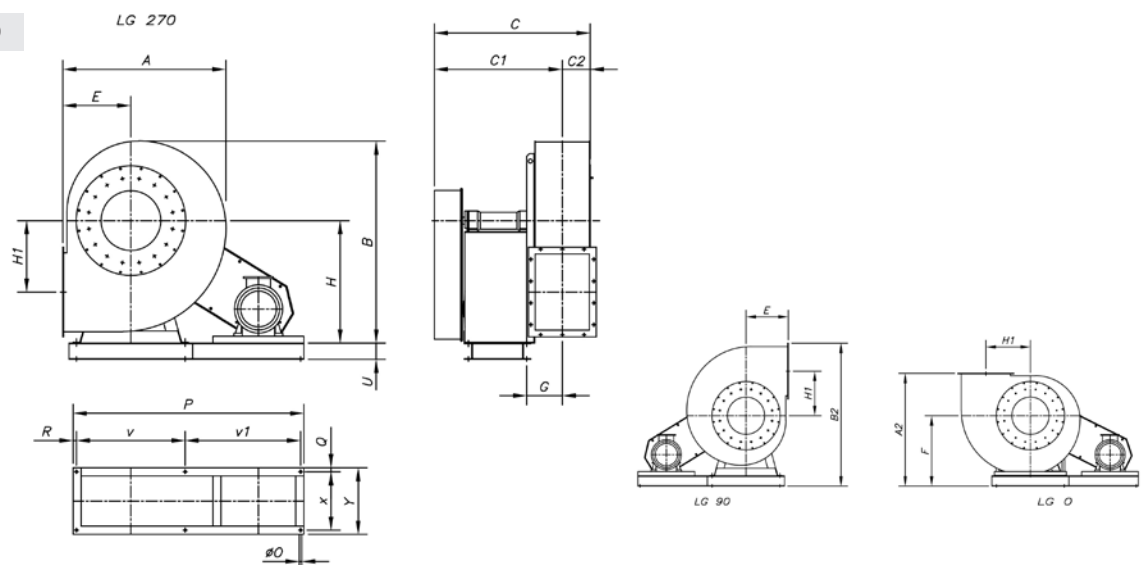


Erp. (Energy Related Products)

Information on Directive 2009/125/EC can be downloaded from the SODECA website or the QuickFan selector programme.

Dimensions mm

CASB-X-350...500

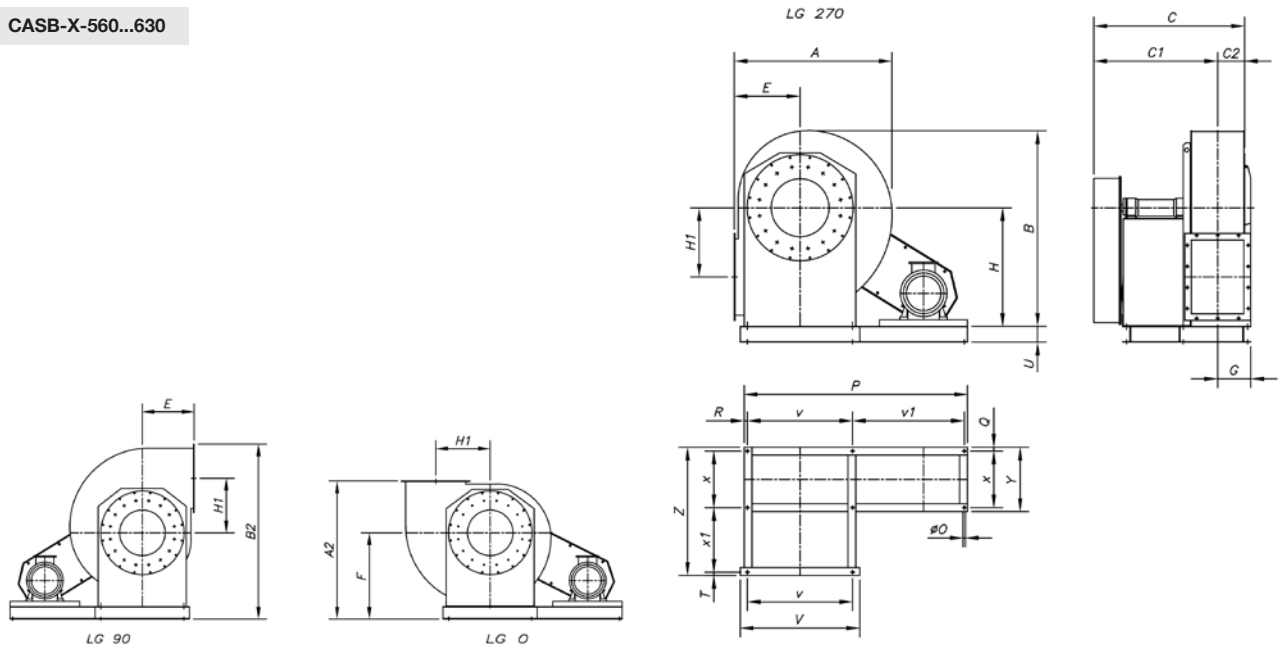


	A	A2	B	B2	C	C1	C2	E	F	G	H	H1	P	øO	U	v	v1	x	R	Q	Y
CASB-X-350	600	885	740	1067	783	668	115	255	630	157	450	253	810	14	180	355	410	407	22.5	28	463
CASB-X-400	655	965	815	1167	820	693	127	285	680	168	500	286	810	15	180	355	410	407	22.5	28	463
CASB-X-450	735	1060	915	1281.5	847	706	141	320	740	181	560	321	810	15	180	355	410	407	22.5	28	463
CASB-X-500	832	1140	1000	1377	985	828	157	360	780	198	600	355	850	18	180	364	432	477	27	33	543

CENTRIFUGAL FANS AND IN-LINE DUCT EXTRACTOR FANS

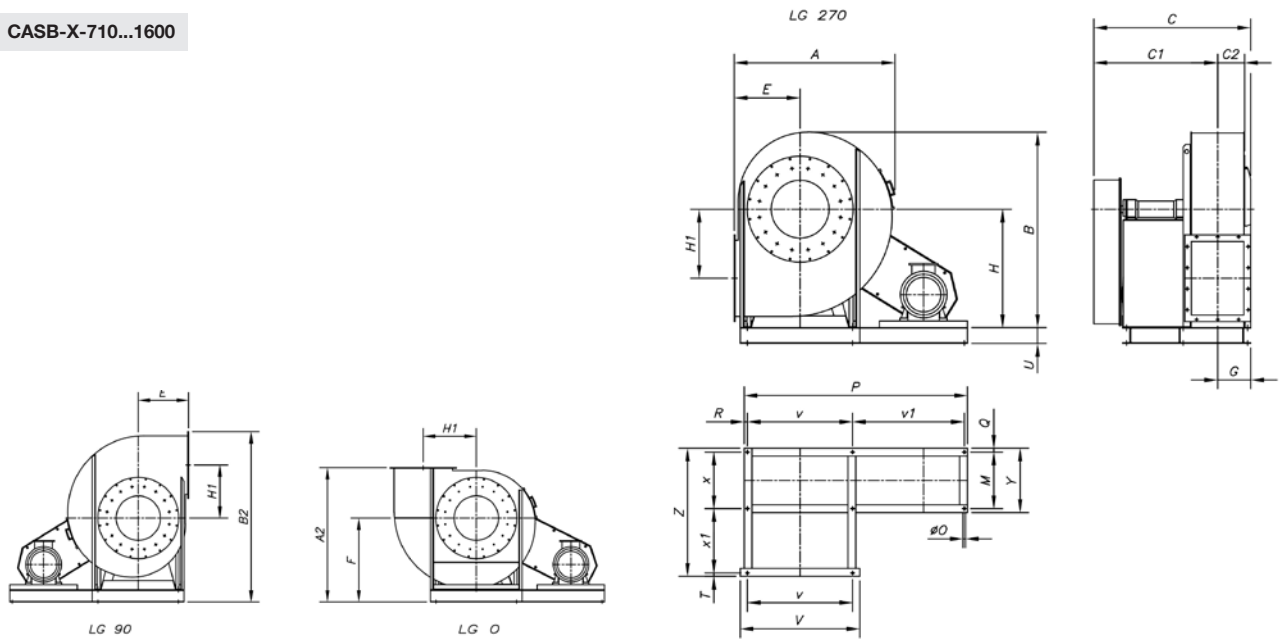
Dimensions mm

CASB-X-560...630



	A	A2	B	B2	C	C1	C2	E	F	G	H	H1	P	øO	U	V	v	v1	x	x1	R	Q	Y	T	Z
CASB-X-560	940	1250	1126	1506.5	1058	881	177	400	850	214	670	390	1170	18	180	692	632	478	477	410	30	33	543	23	943
CASB-X-630	1052	1380	1260	1662.5	1102	907	195	450	930	234	750	439	1270	18	180	762	702	508	477	450	30	33	543	23	983

CASB-X-710...1600

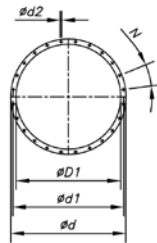


	A	A2	B	B2	C	C1	C2	E	F	G	H	H1	P	øO	U	V	v	v1	x	x1	R	Q	Y	M	T	Z
CASB-X-710	1189	1350	1416	1684.5	1241	979	216	500	850	262	850	500	1433	20	180	914	772	607	551	497	27	39	629	551	27	1114
CASB-X-800	1340	1515	1591	1884	1306	1000	241	560	955	306	950	560	1568	20	180	1044	862	642	551	546	32	39	629	551	47	1183
CASB-X-900	1500	1660	1780	2067.5	1360	1026	275	630	1030	334	1060	630	1813	20	180	1144	962	787	551	600	32	39	629	551	47	1237
CASB-X-1000	1685	1840	1993	2300.5	1565	1180	308	710	1130	385	1180	710	1964	20	180	1254	1056	836	607	657	36	45	697	607	67	1376
CASB-X-1120	1884	2100	2222	2609	1780	1361	350	800	1300	419	1320	800	2134	25	220	1400	1178	866	760	763	45	45	850	760	55	1623
CASB-X-1250	2075	2260	2505	2823.5	1895	1438	385	900	1360	457	1500	900	2600	24	180	1540	1310	1220	760	840	35	35	830	760	32	1667
CASB-X-1400	2305	2500	2815	2935	2060	1560	430	1000	1500	500	1700	1000	3150	24	180	1690	1450	1630	780	946	35	35	990	920	33	1794
CASB-X-1600	2655	2800	3145	3253.5	2350	1781	480	1120	1680	569	1900	1120	3340	28	180	1950	1640	1630	920	1073	35	35	990	920	35	2063

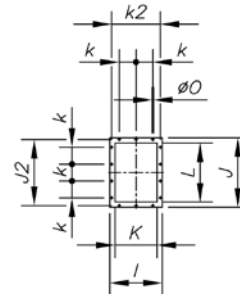
Dimensions mm

Outlet and inlet nozzle

Inlet nozzle

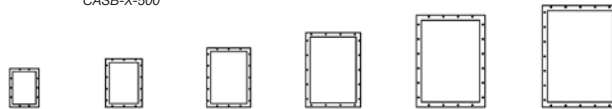


Outlet nozzle



Outlet nozzle

CASB-X-450 CASB-X-1000 CASB-X-900 CASB-X-1250 CASB-X-1400 CASB-X-1600
 CASB-X-400 CASB-X-800 CASB-X-1120
 CASB-X-350 CASB-X-710 CASB-X-630 CASB-X-560 CASB-X-500

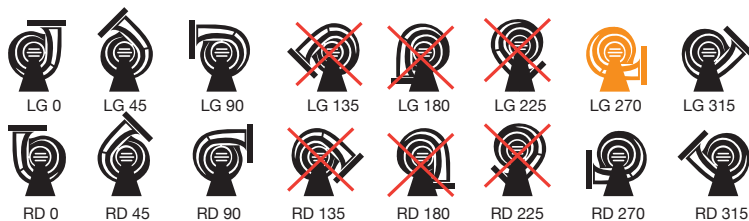


	$\phi D1^*$	ϕd	$\phi d1$	$\phi d2$	N	I	J	J2	K	k	k2	L	ϕO
CASB-X-350	285	365	332	12	8x45°	285	368	332	205	125	249	288	12
CASB-X-400	320	400	366	12	8x45°	309	402	366	229	125	273	322	12
CASB-X-450	360	440	405	12	8x45°	336	441	405	256	125	300	361	12
CASB-X-500	405	485	448	12	12x30°	368	484	448	288	125	332	404	12
CASB-X-560	455	535	497	12	12x30°	402	533	497	322	125	366	453	12
CASB-X-630	505	585	551	13	12x30°	441	587	551	361	125	405	507	12
CASB-X-710	565	665	629	13	12x30°	504	669	629	404	160	464	569	14
CASB-X-800	635	735	698	13	12x30°	553	738	698	453	160	513	638	14
CASB-X-900	715	815	775	15	16x22°30'	607	815	775	507	160	567	715	14
CASB-X-1000	805	905	861	15	16x22°30'	689	921	871	569	200	639	801	14
CASB-X-1120	905	1005	958	15	16x22°30'	758	1018	968	638	200	708	898	14
CASB-X-1250	1008	1108	1067	10	24x15°	835	1127	1077	715	200	785	1007	14
CASB-X-1400	1130	1250	1200	10	24x15°	941	1270	1210	801	200	881	1130	18
CASB-X-1600	1260	1380	1337	10	24x15°	1038	1407	1347	898	200	978	1267	18

* Recommended nominal tube diameter

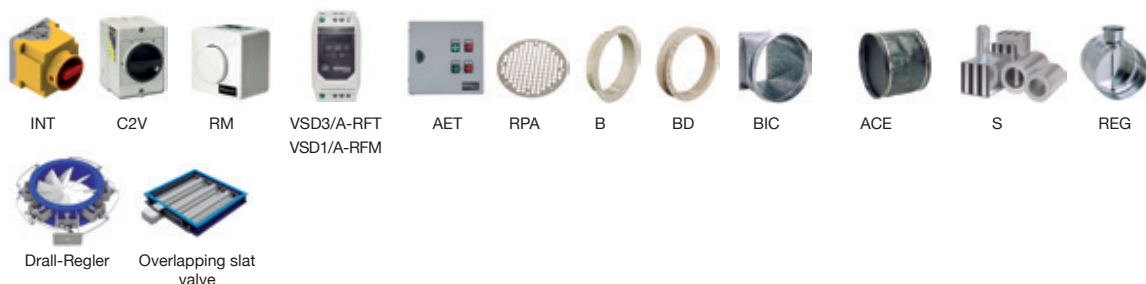
Orientation

Standard supply LG 270



Accessories

See accessories section.

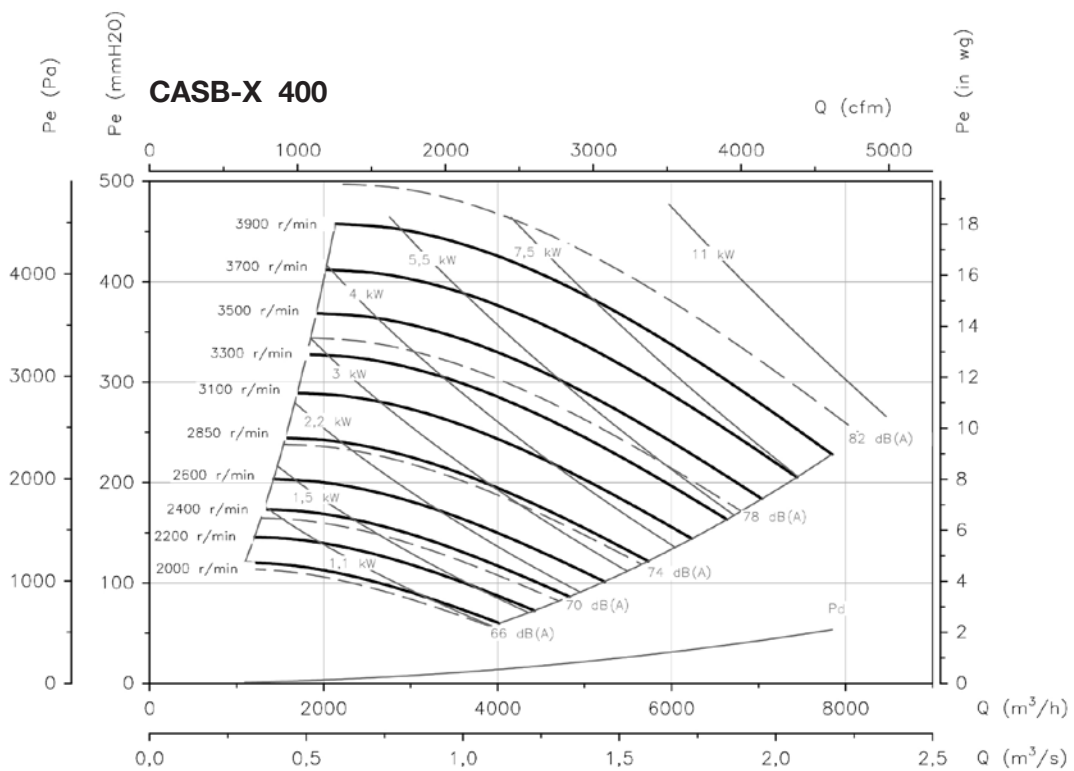
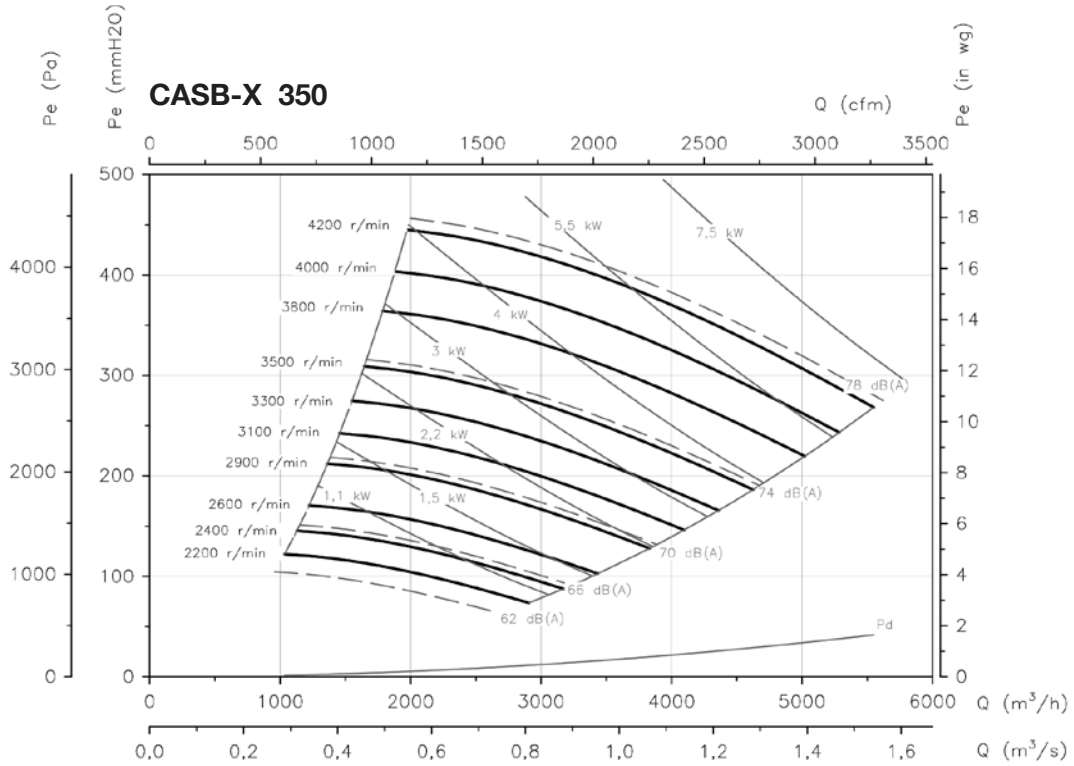


CENTRIFUGAL FANS AND IN-LINE DUCT EXTRACTOR FANS

Characteristic curves

Q= Flow rate in m³/h, m³/s and cfm

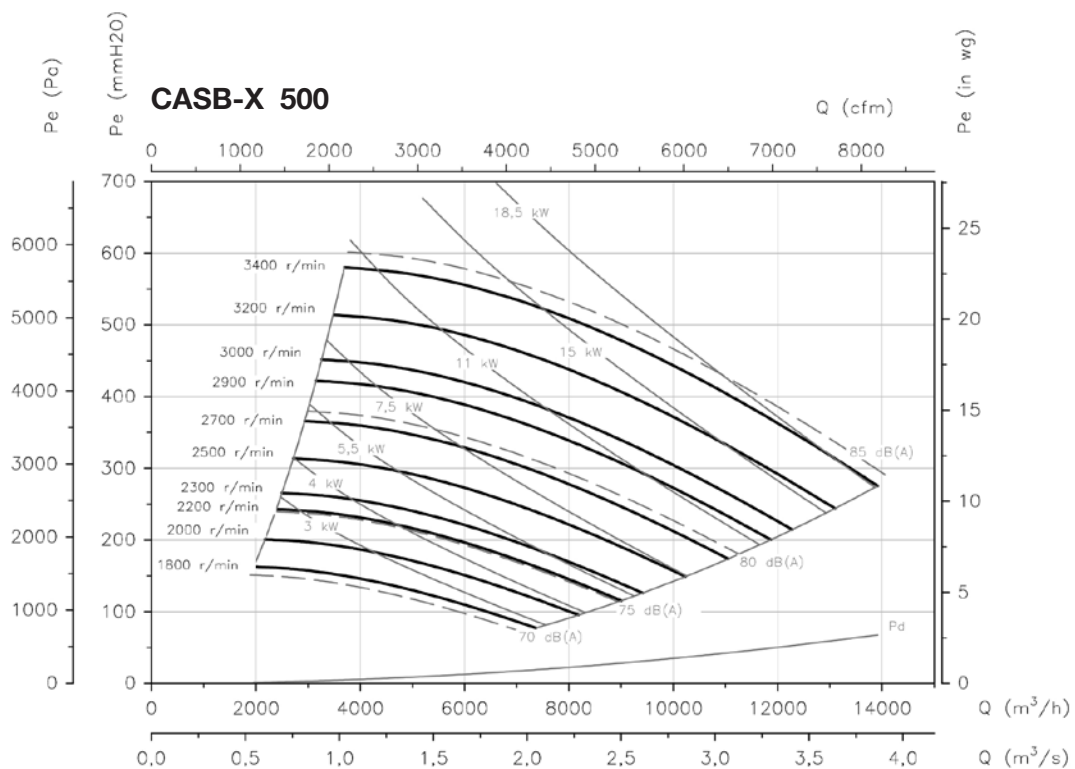
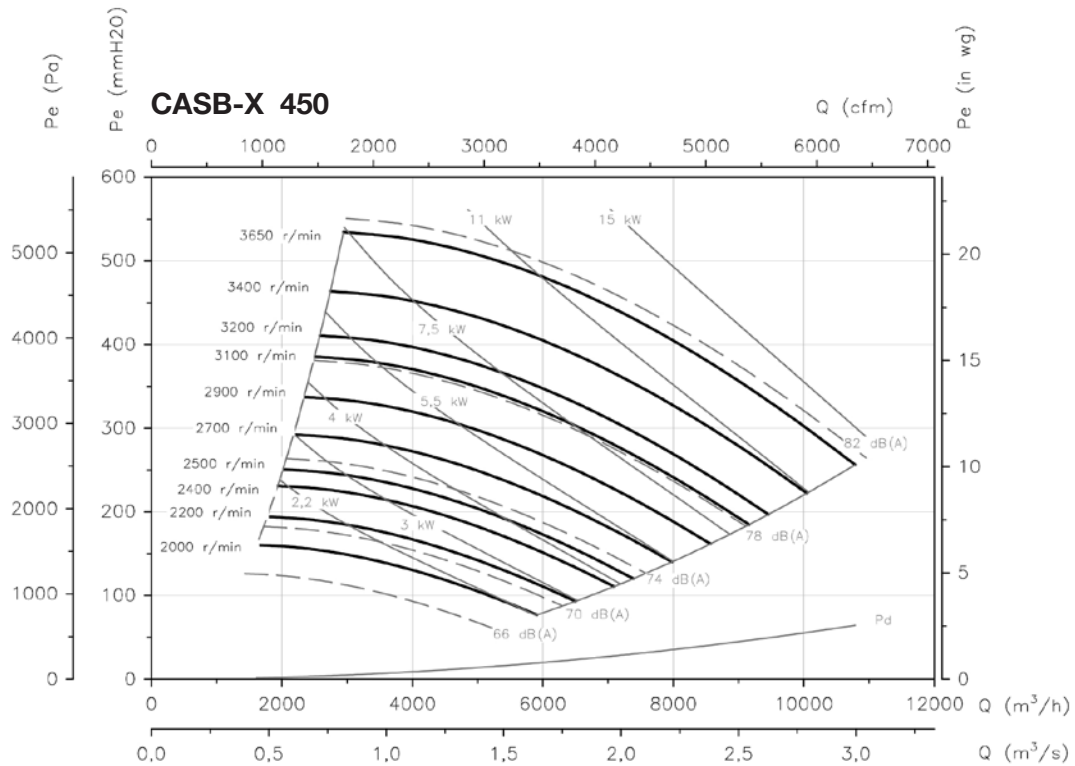
Pe= Static pressure in mm H₂O, Pa and inwg



Characteristic curves

Q= Flow rate in m³/h, m³/s and cfm

Pe= Static pressure in mm H₂O, Pa and inwg

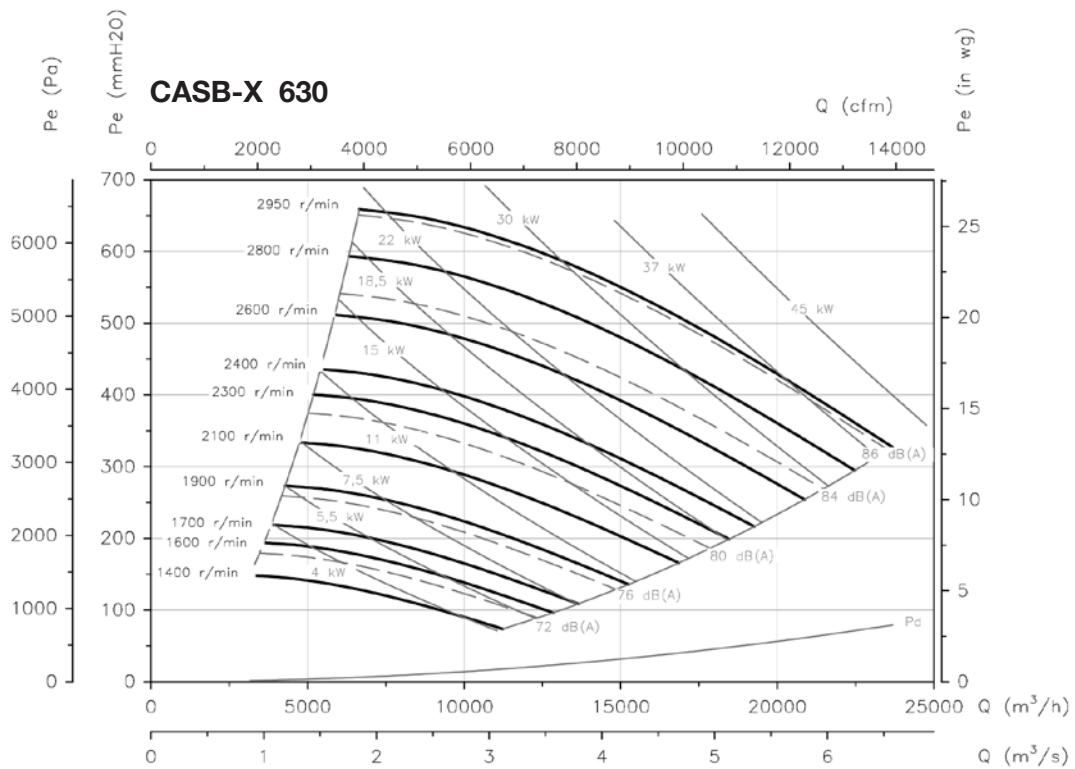
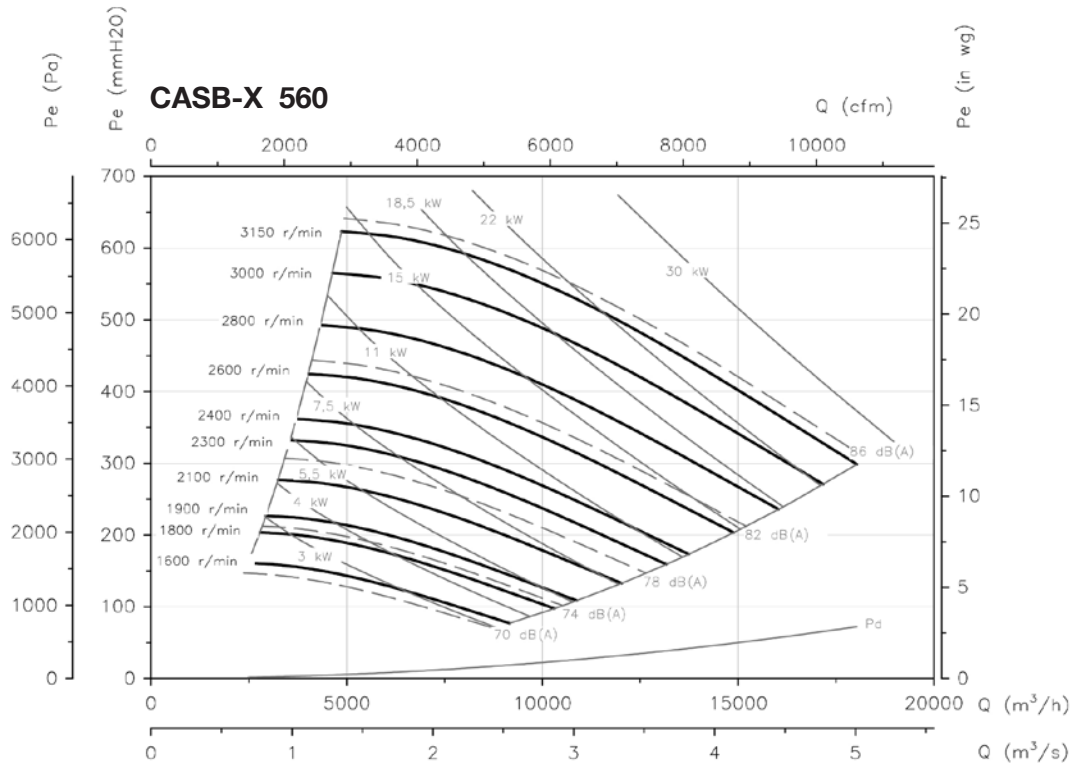


CENTRIFUGAL FANS AND IN-LINE DUCT EXTRACTOR FANS

Characteristic curves

Q= Flow rate in m³/h, m³/s and cfm

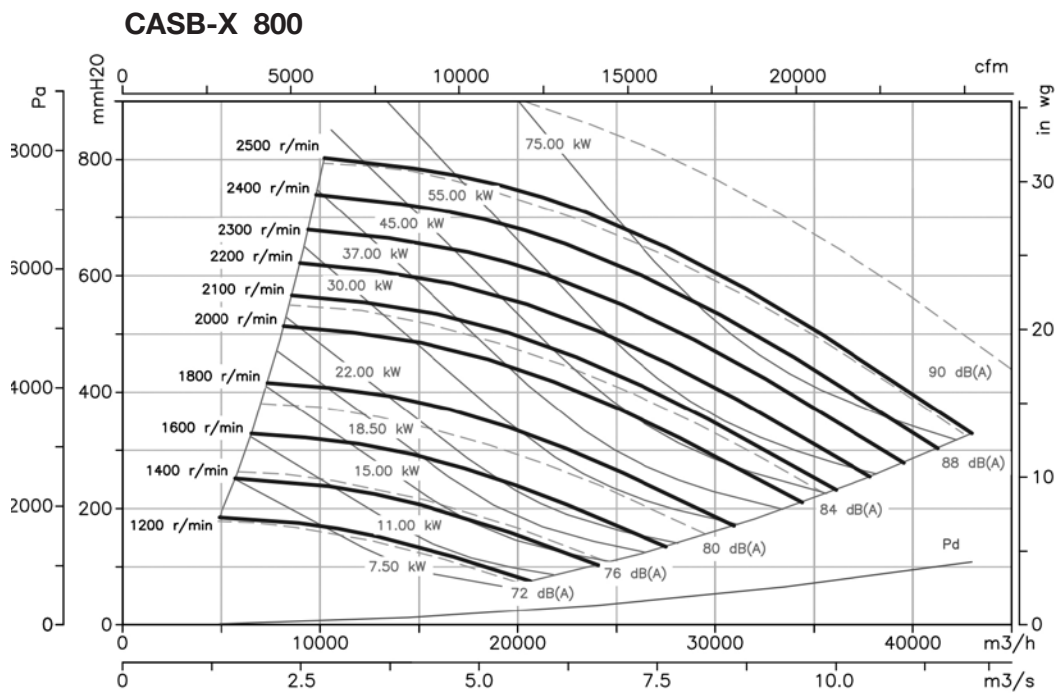
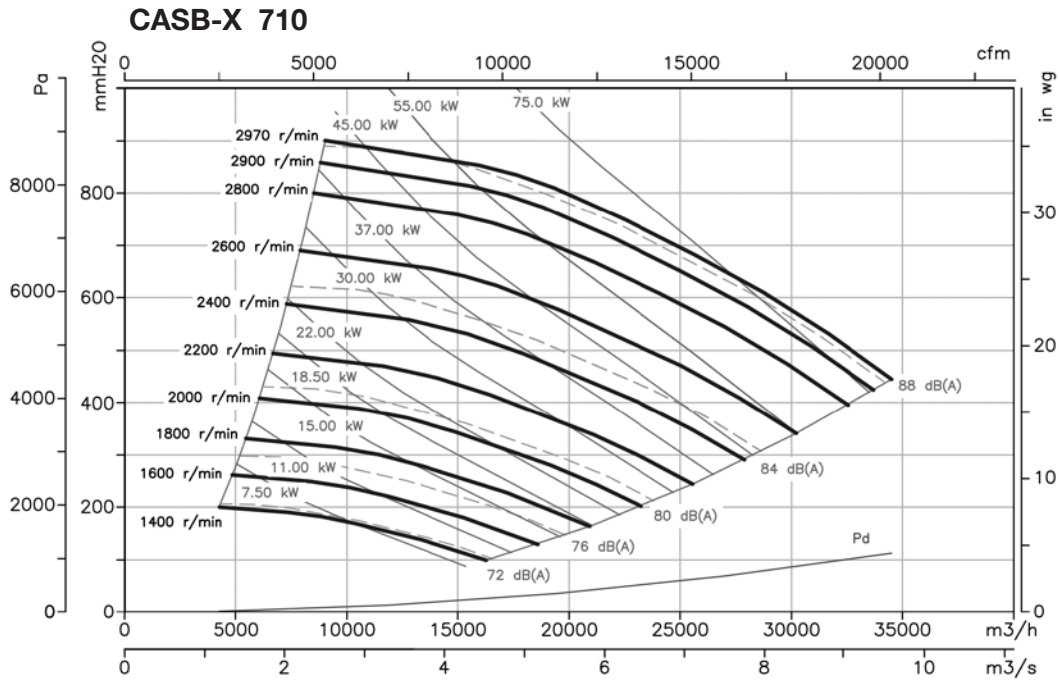
Pe= Static pressure in mm H₂O, Pa and inwg



Characteristic curves

Q= Flow rate in m³/h, m³/s and cfm

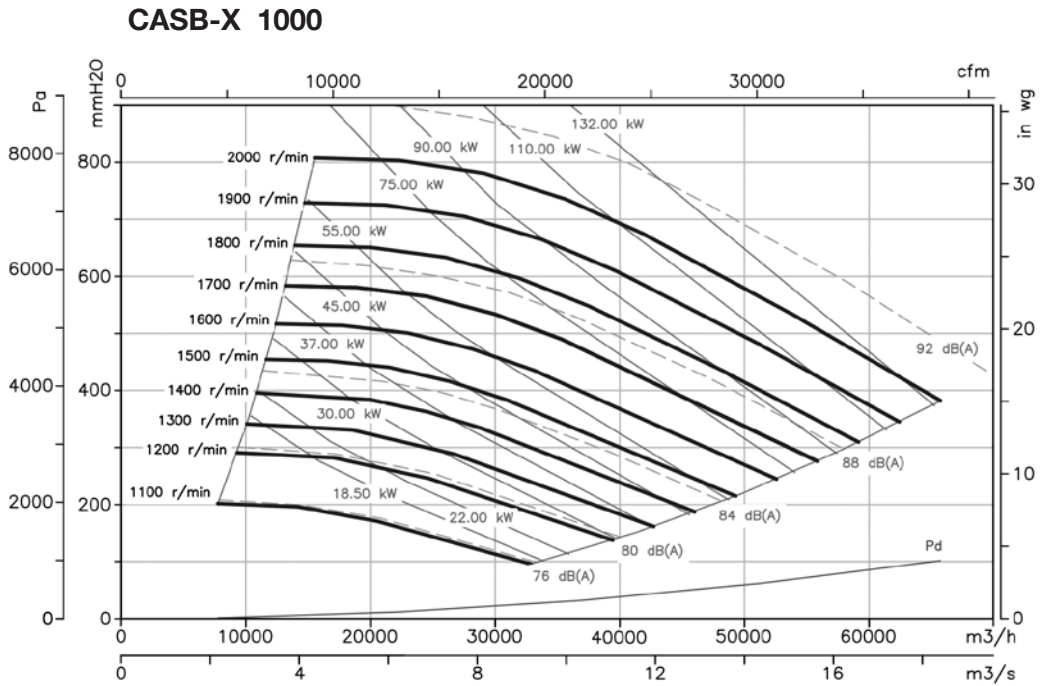
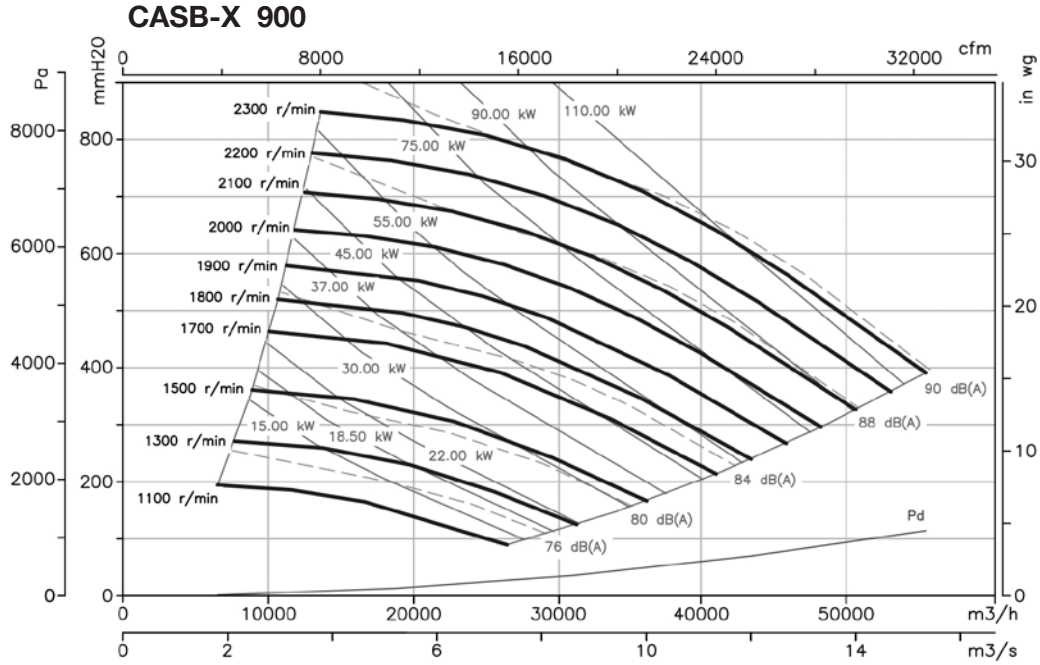
Pe= Static pressure in mm H₂O, Pa and inwg



Characteristic curves

Q= Flow rate in m³/h, m³/s and cfm

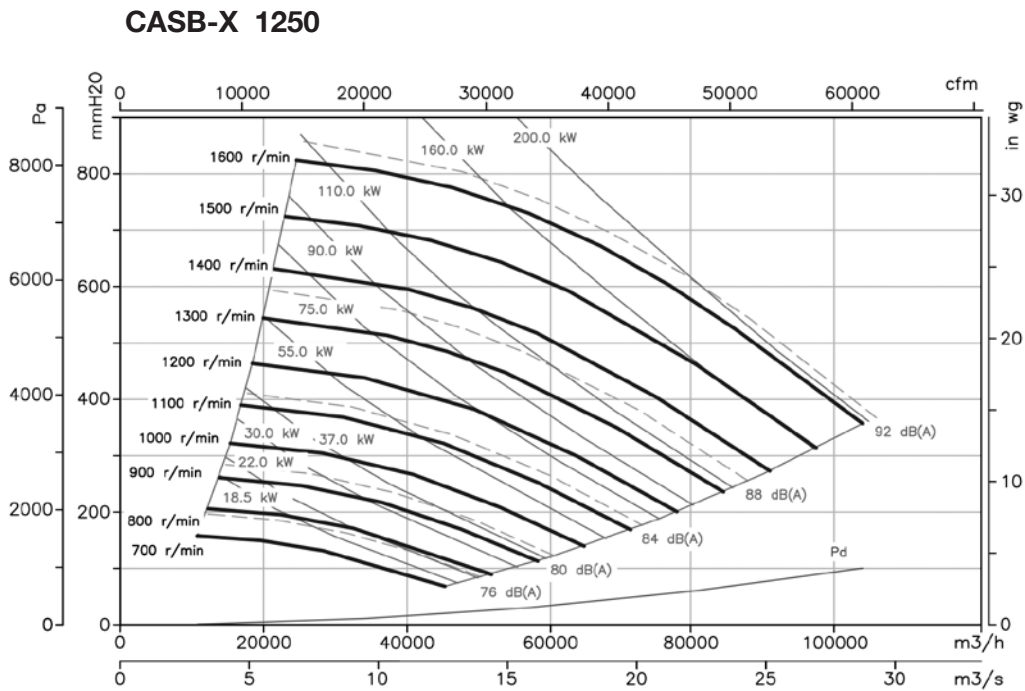
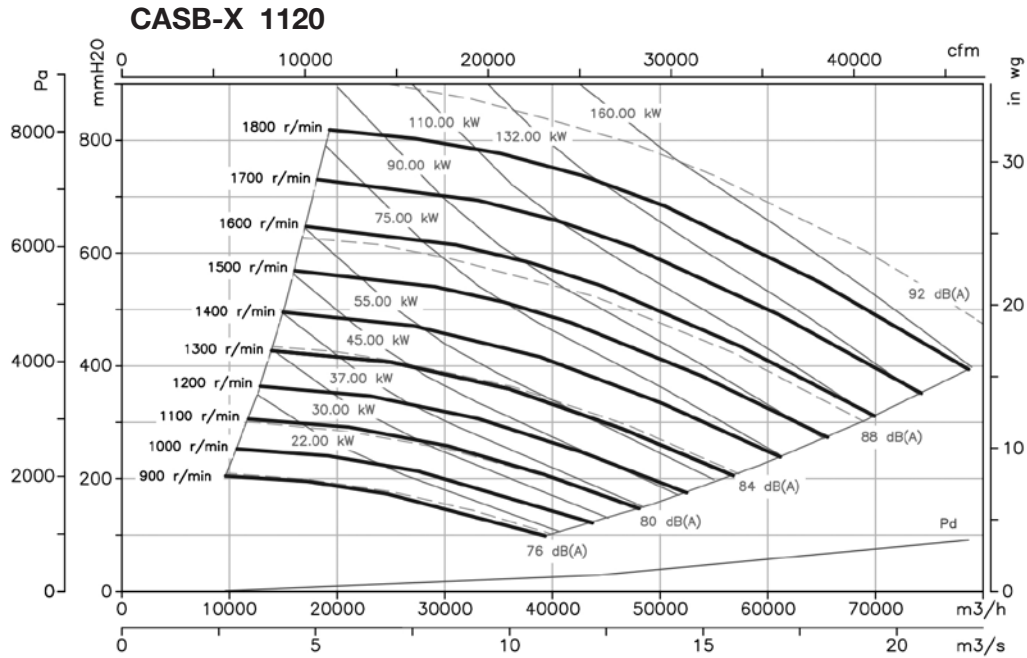
Pe= Static pressure in mm H₂O, Pa and inwg



Characteristic curves

Q= Flow rate in m³/h, m³/s and cfm

Pe= Static pressure in mm H₂O, Pa and inwg

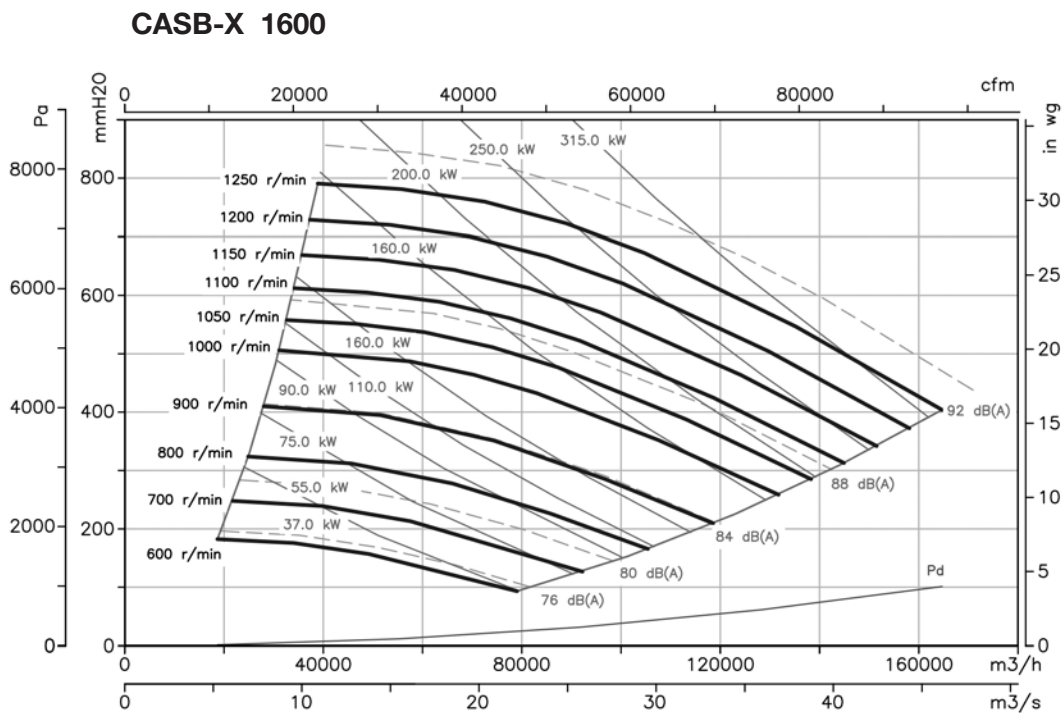
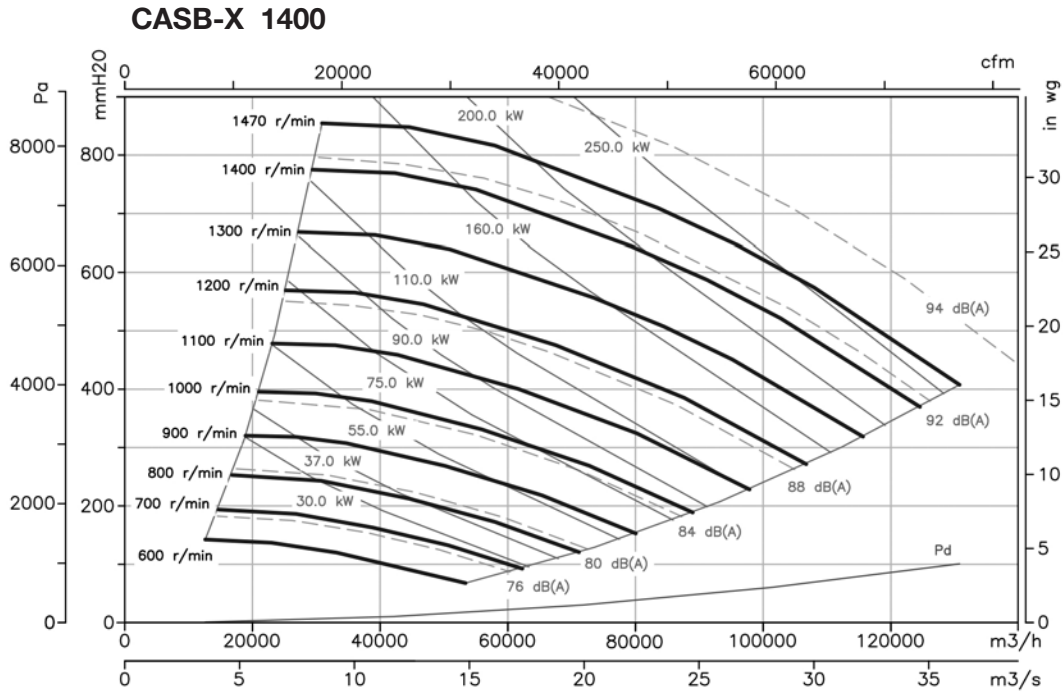


CENTRIFUGAL FANS AND IN-LINE DUCT EXTRACTOR FANS

Characteristic curves

Q= Flow rate in m³/h, m³/s and cfm

Pe= Static pressure in mm H₂O, Pa and inwg



CAB



Extremely robust, high pressure, single inlet centrifugal fans with sheet steel casing and impeller.



Fan:

- Sheet steel casing.
- Backward-curved impeller in extremely robust sheet steel, specially designed for transporting clean and dusty air or air with granulated particles.
- Motor coupled directly.

Motor:

- IE3 efficiency motors for powers equal to or greater than 0.75 kW except single-phase, 2-speed and 8-pole.
- Class F motors with ball bearings and IP55 protection.
- Three-phase 230/400 V - 50 Hz (up to 4 kW) and 400/690 V - 50 Hz (powers higher than 4 kW).
- Maximum temperature of air to be carried: -20 °C +120 °C.

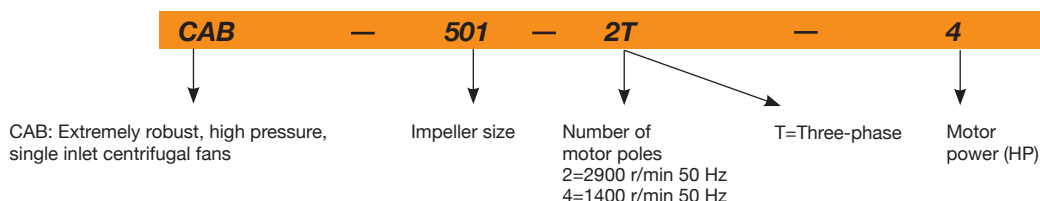
Finish:

- Anti-corrosive finish of polyester resin polymerised at 190 °C, previously degreased with phosphate-free nanotechnological treatment.

On request:

- Special windings for different voltages.
- Fan prepared for air transmission of up to 250 °C.
- Stainless steel fan.
- ATEX-certified Category 2.
- System 8 elastic coupling.

Order code



Technical characteristics

Model	Speed (r/min)	Max. admissible current (A)			Installed power (kW)	Maximum flow rate (m³/h)	Sound pressure level dB(A)	Approx. weight (kg)	According to ErP
		230 V	400 V	690 V					
CAB-501-2T-4 IE3	2910	10.00	5.77		3.00	1800	79	113	2015
CAB-501-2T-5.5 IE3	2900	13.00	7.50		4.00	2905	80	134	2015
CAB-561-2T-7.5 IE3	2930		10.10	5.86	5.50	2415	84	179	2015
CAB-561-2T-10 IE3	2935		13.90	8.06	7.50	4210	85	143	2015
CAB-562-2T-7.5 IE3	2930		10.10	5.86	5.50	3355	84	149	2015
CAB-631-2T-15 IE3	2945		20.00	11.60	11.00	5025	87	211	2015
CAB-632-2T-10 IE3	2935		13.90	8.06	7.50	3045	86	175	2015
CAB-632-2T-15 IE3	2945		20.00	11.60	11.00	6055	87	201	2015
CAB-712-2T-20 IE3	2945		27.70	16.10	15.00	5050	89	272	2015
CAB-712-2T-25 IE3	2945		33.90	19.70	18.50	6715	89	285	2015
CAB-711-2T-25 IE3	2945		33.90	19.70	18.50	5005	88	333	2015
CAB-711-2T-30 IE3	2950		39.70	23.00	22.00	7075	90	413	2015
CAB-801-2T-40 IE3	2960		54.50	31.60	30.00	7300	91	467	Excluded
CAB-801-2T-50 IE3	2960		67.80	39.30	37.00	9775	91	467	Excluded
CAB-801-2T-60 IE3	2960		77.50	44.90	45.00	13150	91	603	Excluded
CAB-802-2T-40 IE3	2960		54.50	31.60	30.00	8220	91	437	Excluded
CAB-802-2T-50 IE3	2960		67.80	39.30	37.00	11190	92	462	Excluded
CAB-901-2T-75 IE3	2960		95.60	55.40	55.00	10430	94	713	Excluded
CAB-901-2T-100 IE3	2975		130.00	75.40	75.00	14935	93	808	Excluded
CAB-901-4T-10 IE3	1465		13.90	8.06	7.50	6000	80	317	2015
CAB-902-2T-60 IE3	2960		77.50	44.90	45.00	9500	93	640	Excluded
CAB-902-2T-75 IE3	2960		95.60	55.40	55.00	12550	93	703	Excluded
CAB-902-2T-100 IE3	2975		130.00	75.40	75.00	16785	92	798	Excluded

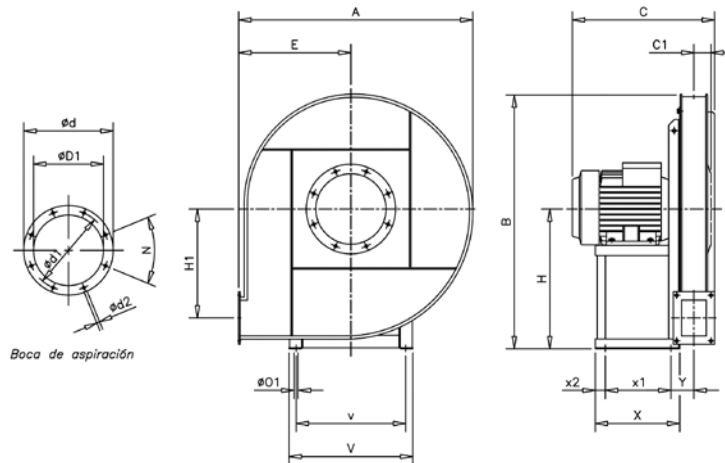
CENTRIFUGAL FANS AND IN-LINE DUCT EXTRACTOR FANS



Erp. (Energy Related Products)

Information on Directive 2009/125/EC can be downloaded from the SODECA website or the QuickFan selector programme.

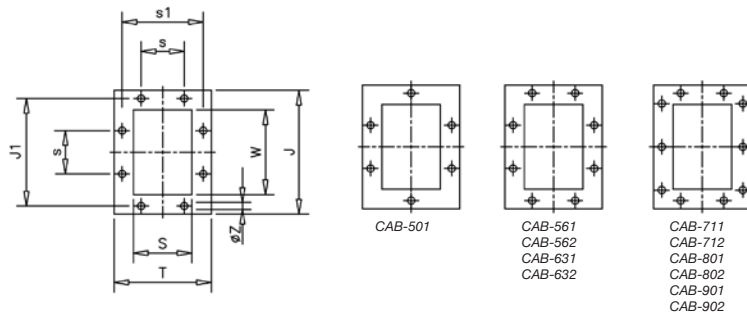
Dimensions mm



	A	B	C	C1	E	H	H1	ØD1	V	v	X	x1	x2	Y	ØD1	Ød	Ød1	Ød2	N
CAB-501-2T-4	735	800	500	77	355	450	310	12	332	300	260	200	25	104	205	275	241	11.5	8x45°
CAB-501-2T-5.5	735	800	500	77	355	450	310	12	332	300	260	200	25	104	205	275	241	11.5	8x45°
CAB-561-2T-7.5	830	895	595	87	400	500	350	12	392	360	320	250	25	122	229	299	265	11.5	8x45°
CAB-561-2T-10	830	895	595	87	400	500	350	12	392	360	320	250	25	122	229	299	265	11.5	8x45°
CAB-562-2T-7.5	830	895	595	87	400	500	350	12	392	360	320	250	25	122	229	299	265	11.5	8x45°
CAB-631-2T-15	900	990	750	100	425	560	388	14	440	400	425	340	30	142	255	325	292	11.5	8x45°
CAB-632-2T-10	900	990	610	100	425	560	388	14	440	400	425	340	30	142	255	325	292	11.5	8x45°
CAB-632-2T-15	900	990	750	100	425	560	388	14	440	400	425	340	30	142	255	325	292	11.5	8x45°
CAB-711-2T-25	1005	1115	780	110	475	630	435	14	440	400	425	340	30	152	286	366	332	11.5	8x45°
CAB-711-2T-30	1005	1115	780	110	475	630	435	14	440	400	425	340	30	152	286	366	332	11.5	8x45°
CAB-712-2T-20	1005	1115	780	110	475	630	435	14	440	400	425	340	30	152	286	366	332	11.5	8x45°
CAB-712-2T-25	1005	1115	780	110	475	630	435	14	440	400	425	340	30	152	286	366	332	11.5	8x45°
CAB-801-2T-40	1120	1250	875	120	530	710	490	16	570	510	500	385	40	183	321	401	366	11.5	8x45°
CAB-801-2T-50	1120	1250	875	120	530	710	490	16	570	510	500	385	40	183	321	401	366	11.5	8x45°
CAB-801-2T-60	1120	1250	875	120	530	710	490	16	570	510	500	385	40	183	321	401	366	11.5	8x45°
CAB-802-2T-40	1120	1250	875	120	530	710	490	16	570	510	500	385	40	183	321	401	366	11.5	8x45°
CAB-802-2T-50	1120	1250	875	120	530	710	490	16	570	510	500	385	40	183	321	401	366	11.5	8x45°
CAB-901-2T-75	1265	1410	990	135	600	800	552	21	686	615	600	460	45	217	361	486	405	11.5	8x45°
CAB-901-2T-100	1265	1410	1120	135	600	800	552	21	760	690	700	550	50	222	361	486	405	11.5	8x45°
CAB-901-4T-10	1265	1410	700	135	600	800	552	12	392	360	320	250	25	167	361	486	405	11.5	8x45°
CAB-902-2T-60	1265	1410	980	135	600	800	552	19	626	565	550	425	40	207	361	486	405	11.5	8x45°
CAB-902-2T-75	1265	1410	990	135	600	800	552	21	698	615	600	550	45	217	361	486	405	11.5	8x45°
CAB-902-2T-100	1265	1410	1120	135	600	800	552	21	760	680	700	550	50	222	361	486	405	11.5	8x45°

Dimensions mm

Outlet nozzle

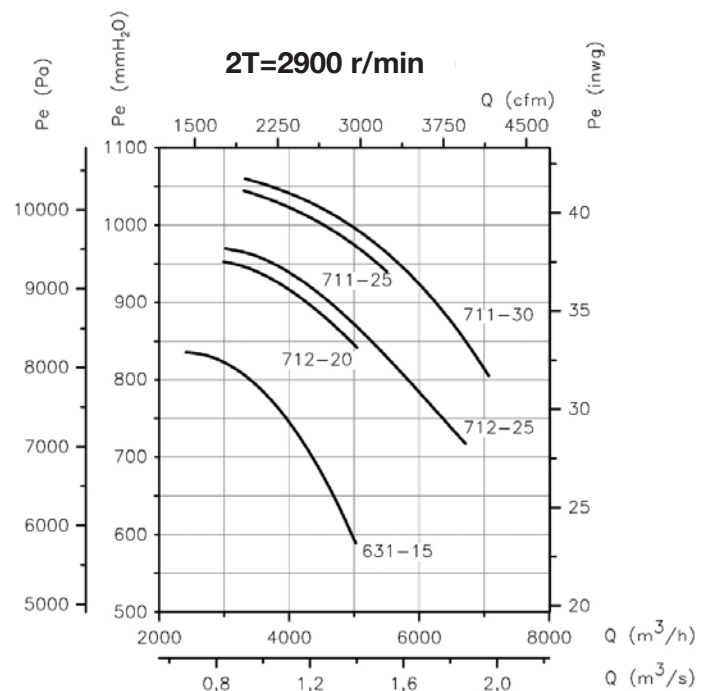
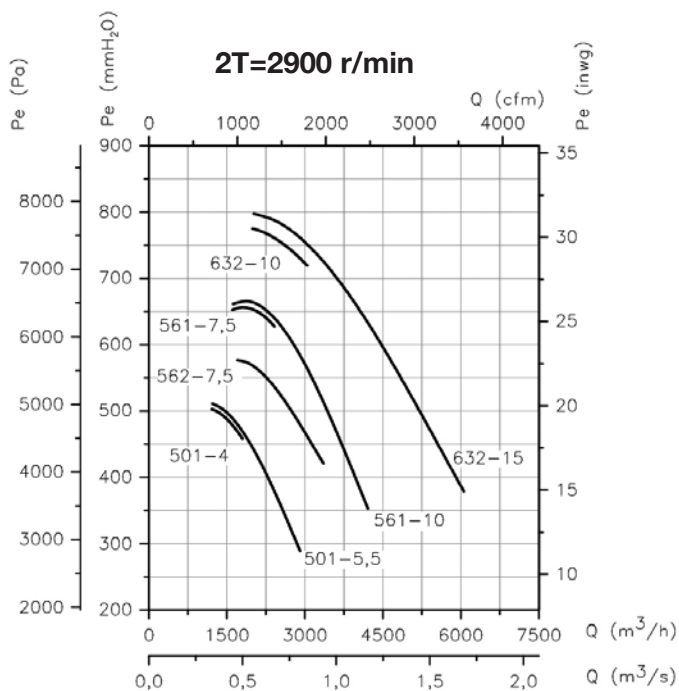


	T	J	J1	S	s	s1	W	ØZ
CAB-501-2T-4	195	250	219	125	112	167	180	11.5
CAB-501-2T-5.5	195	250	219	125	112	167	180	11.5
CAB-561-2T-7.5	210	270	241	140	112	182	200	11.5
CAB-561-2T-10	210	270	241	140	112	182	200	11.5
CAB-562-2T-7.5	210	270	241	140	112	182	200	11.5
CAB-631-2T-15	230	294	265	160	112	200	224	11.5
CAB-632-2T-10	230	294	265	160	112	200	224	11.5
CAB-632-2T-15	230	294	265	160	112	200	224	11.5
CAB-711-2T-25	250	320	292	180	112	219	250	11.5
CAB-711-2T-30	250	320	292	180	112	219	250	11.5
CAB-712-2T-20	250	320	292	180	112	219	250	11.5
CAB-712-2T-25	250	320	292	180	112	219	250	11.5
CAB-801-2T-40	280	360	332	200	125	249	280	11.5
CAB-801-2T-50	280	360	332	200	125	249	280	11.5
CAB-801-2T-60	280	360	332	200	125	249	280	11.5
CAB-802-2T-40	280	360	332	200	125	249	280	11.5
CAB-802-2T-50	280	360	332	200	125	249	280	11.5
CAB-901-2T-75	304	395	366	224	125	273	315	11.5
CAB-901-2T-100	304	395	366	224	125	273	315	11.5
CAB-901-4T-10	304	395	366	224	125	273	315	11.5
CAB-902-2T-60	304	395	366	224	125	273	315	11.5
CAB-902-2T-75	304	395	366	224	125	273	315	11.5
CAB-902-2T-100	304	395	366	224	125	273	315	11.5

Characteristic curves

Q= Flow rate in m³/h, m³/s and cfm

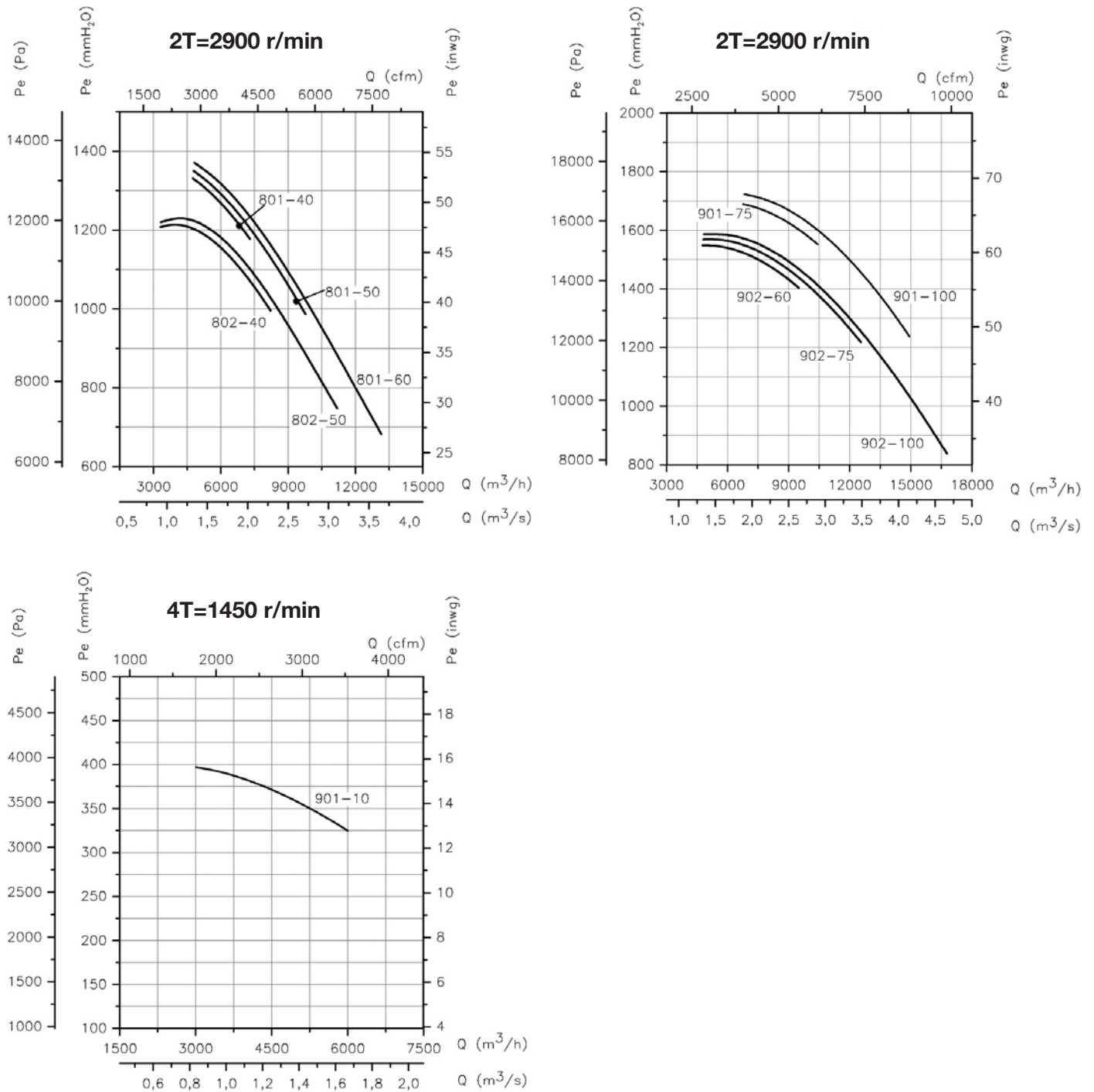
Pe= Static pressure in mm H₂O, Pa and inwg



Characteristic curves

Q= Flow rate in m³/h, m³/s and cfm

Pe= Static pressure in mm H₂O, Pa and inwg



Orientation

LG270 standard supply, other positions on request.
 Models 501 to 802 are adjustable. Special sizes in positions 180 and 225.
 Models 901 and 902 are adjustable. Special sizes except position 315.



CAST



High pressure, single inlet centrifugal fans with sheet steel casing and straight blade impeller, for carrying dust and solids.



Fan:

- Sheet steel casing.
- Straight blade impeller in sheet steel.

Motor:

- IE3 efficiency motors for powers equal to or greater than 0.75 kW except single-phase, 2-speed and 8-pole.
- Class F motors with ball bearings and IP55 protection.
- Three-phase 230/400 V - 50 Hz (up to 4 kW) and 400/690 V - 50 Hz (powers higher than 4 kW).
- Maximum temperature of air to be carried: -25 °C +120 °C.

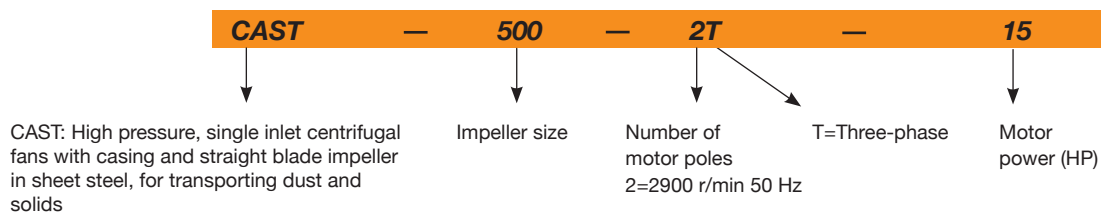
Finish:

- Anti-corrosive finish of polyester resin polymerised at 190 °C, previously degreased with phosphate-free nanotechnological treatment.

On request:

- Special windings for different voltages.
- Fan prepared for air transmission of up to 250 °C.
- ATEX-certified Category 2.
- System 8 elastic coupling.

Order code



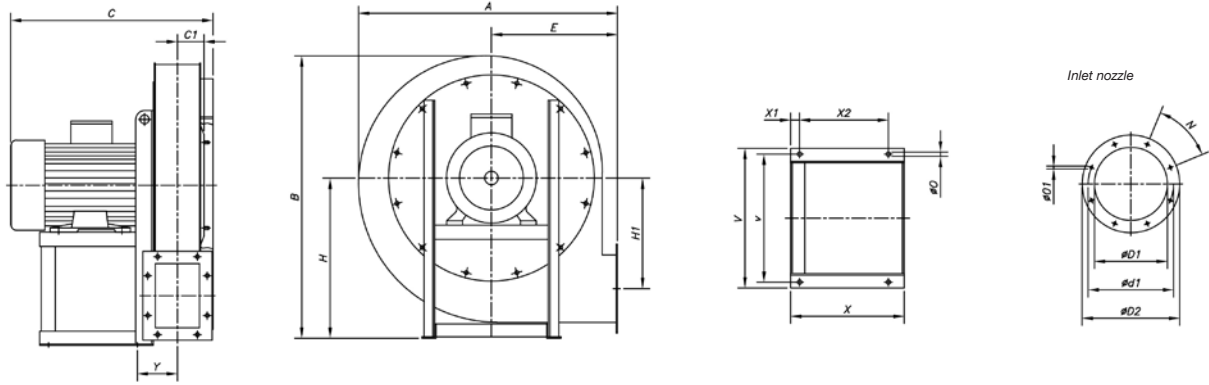
Technical characteristics

Model	Speed (r/min)	Maximum admissible current (A)			Installed power (kW)	Maximum flow rate (m ³ /h)	Sound pressure level dB(A)	Approx. weight (kg)
		230 V	400 V	690 V				
CAST-400-2T-3 IE3	2870	7.70	4.43		2.20	1330	80	45
CAST-450-2T-4 IE3	2910	10.00	5.77		3.00	1330	82	60
CAST-450-2T-5.5 IE3	2900	13.00	7.50		4.00	1910	83	65
CAST-500-2T-7.5 IE3	2930		10.10	5.86	5.50	2440	85	97
CAST-500-2T-10 IE3	2935		13.90	8.06	7.50	3470	85	103
CAST-560-2T-10 IE3	2935		13.90	8.06	7.50	2690	89	135
CAST-560-2T-15 IE3	2945		20.00	11.60	11.00	4360	90	158
CAST-630-2T-20 IE3	2945		27.70	16.10	15.00	3830	93	193
CAST-630-2T-25 IE3	2945		33.90	19.70	18.50	5510	93	203
CAST-710-2T-30 IE3	2950		39.70	23.00	22.00	4790	96	253
CAST-710-2T-40 IE3	2960		54.50	31.60	30.00	6970	96	365
CAST-710-2T-50 IE3	2960		67.80	39.30	37.00	8640	96	373
CAST-800-2T-50 IE3	2960		67.80	39.30	37.00	7790	101	415
CAST-800-2T-60 IE3	2960		77.50	44.90	45.00	7770	101	472
CAST-800-2T-75 IE3	2960		95.60	55.40	55.00	11000	101	554
CAST-800-4T-10 IE3	1465		13.90	8.06	7.50	6970	81	250
CAST-900-4T-15 IE3	1470		20.90	12.10	11.00	7790	85	440
CAST-900-4T-20 IE3	1465		27.90	16.20	15.00	8610	86	478
CAST-1000-4T-25 IE3	1470		35.10	20.30	18.50	10970	88	586
CAST-1000-4T-30 IE3	1470		41.00	23.80	22.00	12300	89	646

CENTRIFUGAL FANS AND IN-LINE DUCT EXTRACTOR FANS

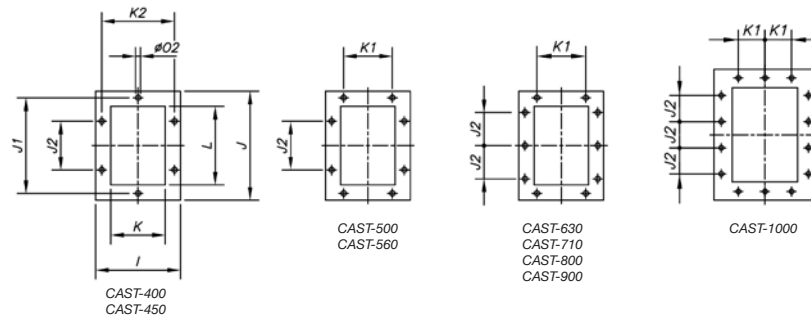
Dimensions mm

CAST-400...1000



	A	B	C	C1	E	H	H1	ØO	V	v	X	x1	x2	Y	ØD1	ØD2	Ød1	ØO1	N
CAST-400-2T-3	590	658	425	71	280	375	238	12	276	234	205	30	140	93	185	250	219	8	8x45°
CAST-450-2T-4	645	715	505	78	300	400	265	12	324	289	250	30	190	100	205	275	241	8	8x45°
CAST-450-2T-5.5	645	715	505	78	300	400	265	12	324	289	250	30	190	100	205	275	241	8	8x45°
CAST-500-2T-7.5	715	795	585	86	335	450	298	12	374	337	300	30	240	108	228	298	265	8	8x45°
CAST-500-2T-10	715	795	585	86	335	450	298	12	374	337	300	30	240	108	228	298	265	8	8x45°
CAST-560-2T-10	805	890	605	95	375	500	338	12	374	337	300	30	240	119	255	325	292	10	8x45°
CAST-560-2T-15	805	890	740	95	375	500	338	12	444	395	415	30	355	119	255	325	292	10	8x45°
CAST-630-2T-20	910	1000	760	105	425	560	381	12	444	395	415	30	355	129	285	365	332	10	8x45°
CAST-630-2T-25	910	1000	760	105	425	560	381	12	444	395	415	30	355	129	285	365	332	10	8x45°
CAST-710-2T-30	1015	1122	785	115	475	630	426	12	490	434	460	30	400	138	320	400	366	10	8x45°
CAST-710-2T-40	1015	1122	860	115	475	630	426	12	568	506	500	30	440	138	320	400	366	10	8x45°
CAST-710-2T-50	1015	1122	860	115	475	630	426	12	568	506	500	30	440	138	320	400	366	10	8x45°
CAST-800-2T-50	1140	1265	885	127	530	710	481	20	568	506	500	30	440	151	360	440	405	10	8x45°
CAST-800-2T-60	1140	1265	960	127	530	710	481	20	616	556	540	30	440	151	360	440	405	10	8x45°
CAST-800-2T-75	1140	1265	960	127	530	710	481	20	690	604	600	30	540	151	360	440	405	10	8x45°
CAST-800-4T-10	1140	1265	670	127	530	710	481	20	374	337	300	30	240	151	360	440	405	10	8x45°
CAST-900-4T-15	1285	1428	835	141	600	800	542	20	444	395	415	30	355	166	405	485	448	10	12x30°
CAST-900-4T-20	1285	1428	835	141	600	800	542	20	444	395	415	30	355	166	405	485	448	10	12x30°
CAST-1000-4T-25	1430	1590	870	163	670	900	607	20	490	434	460	30	400	182	455	535	497	10	12x30°
CAST-1000-4T-30	1430	1590	945	163	670	900	607	20	490	434	460	30	400	182	455	535	497	10	12x30°

Outlet nozzle

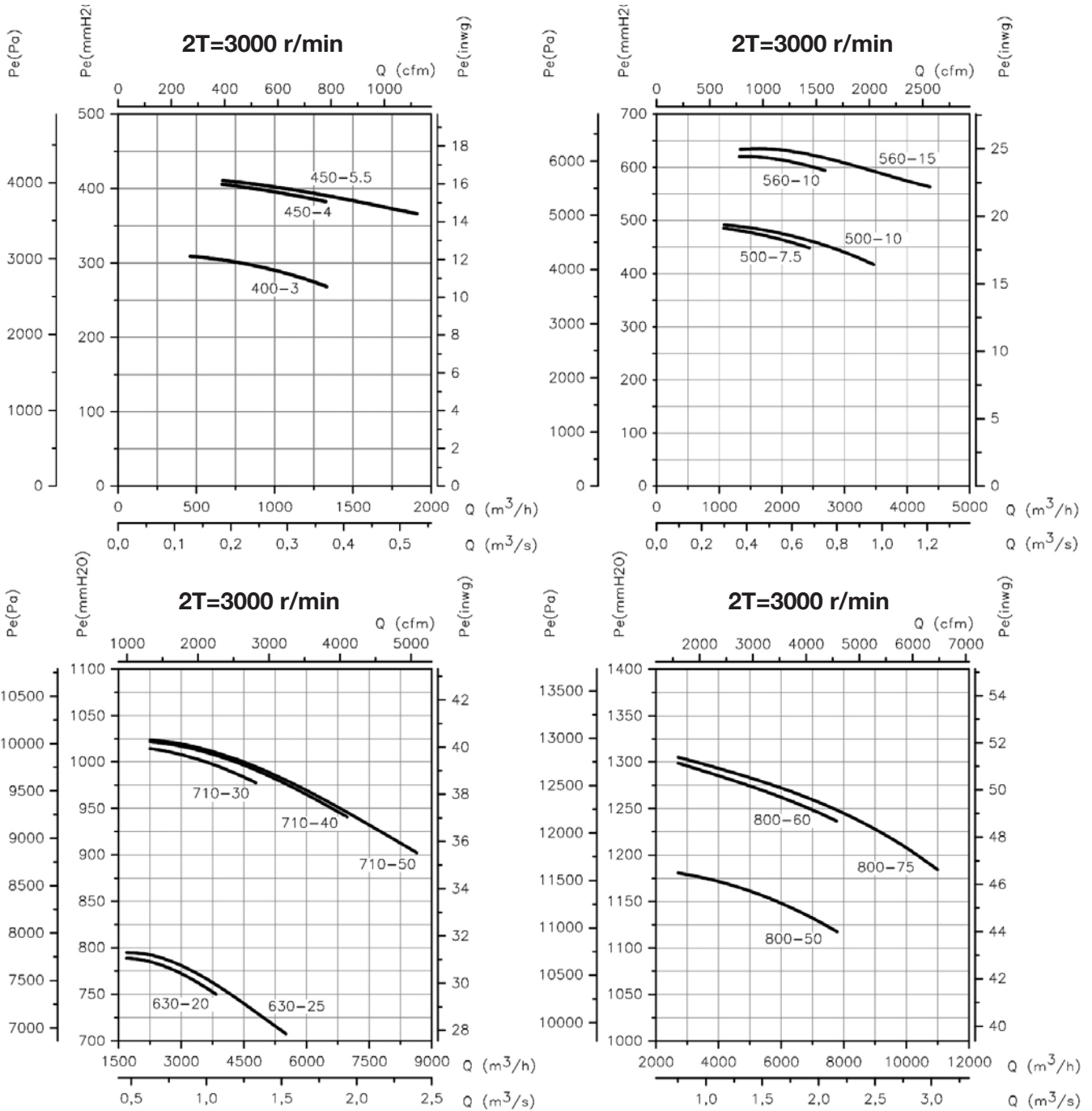


	I	J	J1	J2	K	K1	K2	L	ØO2
CAST-400	187	236	200	112	117	-	151	166	12
CAST-450	201	255	219	112	131	-	165	185	12
CAST-500	218	277	241	112	148	112	182	207	12
CAST-560	236	301	265	112	166	112	200	231	12
CAST-630	255	328	292	112	185	112	219	258	12
CAST-710	285	368	332	125	205	125	249	288	12
CAST-800	309	402	366	125	229	125	273	322	12
CAST-900	336	441	405	125	256	125	300	361	12
CAST-1000	368	484	448	125	288	125	332	404	12

Characteristic curves

Q= Flow rate in m³/h, m³/s and cfm

Pe= Static pressure in mm H₂O, Pa and inwg

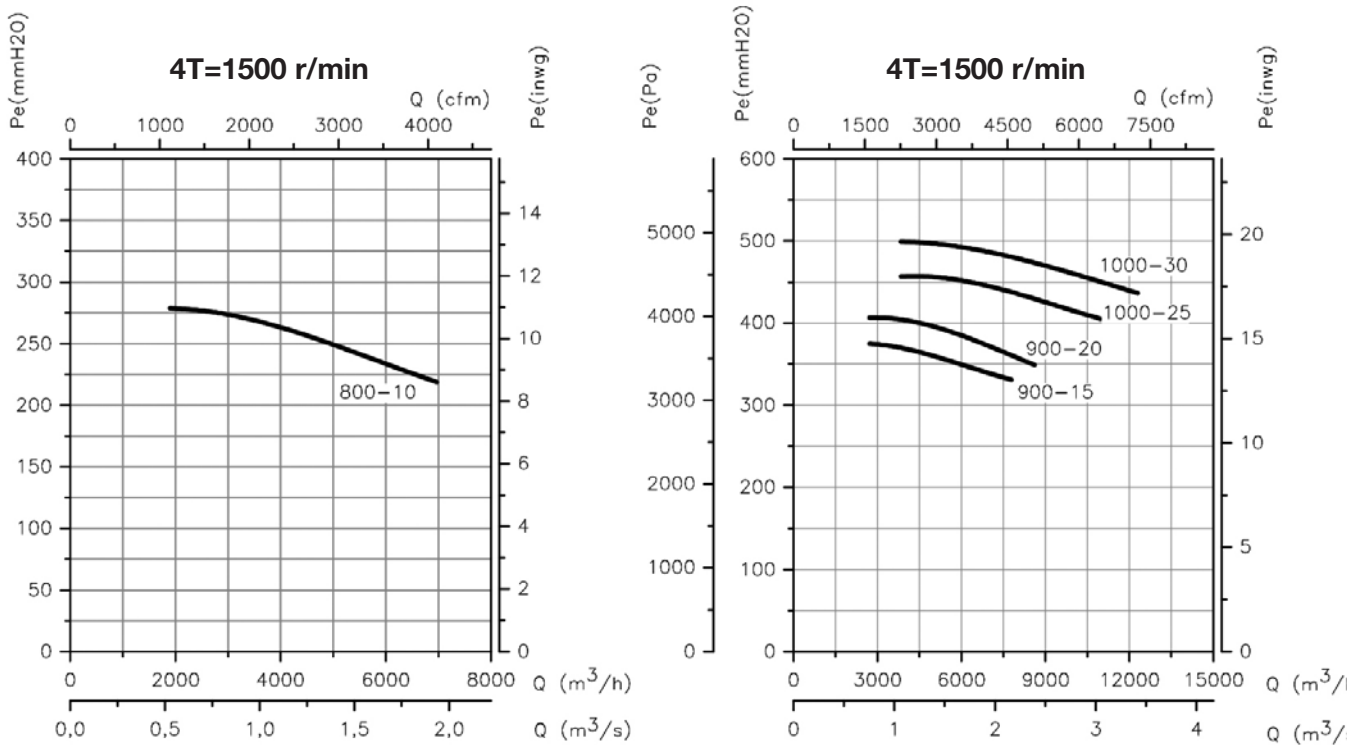


CENTRIFUGAL FANS AND IN-LINE DUCT EXTRACTOR FANS

Characteristic curves

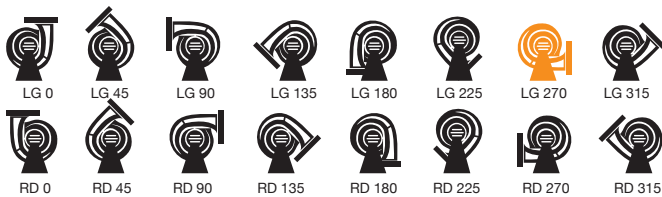
Q= Flow rate in m³/h, m³/s and cfm

Pe= Static pressure in mm H₂O, Pa and inwg



Orientation

LG270 standard supply, other positions on request.
All models are adjustable. Special sizes in positions 180 and 225.



Accessories

See accessories section.



CMRH



Belt-driven fans fitted with electric motors, a set of standardised pulleys, belts and protectors in accordance with standard ISO-13857 and a heat-resistant compartment with a 150 mm thick mineral fibre coating, for horizontal operation.



Fan:

- Extremely thick sheet steel structure.
- Impeller with reaction blades in extremely robust sheet steel.
- Transmission unit with cast material bearings and support.

Motor:

- IE3 efficiency motors for powers equal to or higher than 0.75 kW, except single-phase, 2-speed and 8-pole.
- Class F motors with ball bearings and IP55 protection.
- Three-phase 230/400 V - 50 Hz (up to 4 kW) and 400/690 V - 50 Hz (powers higher than 4 kW).
- Maximum temperature of air to be carried: -20 °C +300 °C.

Finish:

- Treated with heat-resistant paint.

On request:

- Special windings for different voltages.
- Fan made from refractory steel for temperatures up to 400 °C.
- Execution for vertical operation.



External greasers for ease of maintenance.

Order code

CMRH — 1856 — X /R — 7.5

CMRH: Belt-driven fans, heat-resistant compartment with a 150 mm thick mineral fibre coating, for horizontal operation

Impeller size

Belt-driven

Fitted with cooling impeller

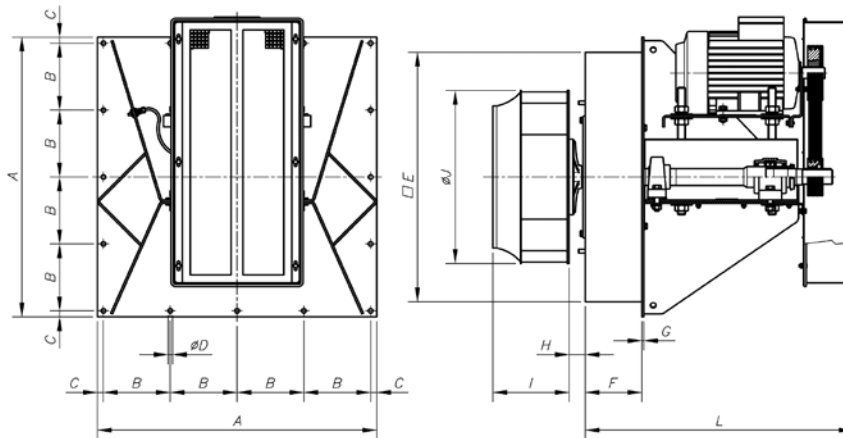
Motor power (HP)

Technical characteristics

Model	Speed (r/min)	Maximum admissible current (A)			Installed power (kW)	Maximum flow rate (m ³ /h)	Sound pressure level dB(A)	Approx. weight (kg)
		230 V	400 V	690 V				
CMRH-1445-X/R-3 IE3	1700	7.93	4.56		2.20	9620	79	204
CMRH-1445-X/R-4 IE3	1910	10.70	6.15		3.00	10810	81	212
CMRH-1445-X/R-5.5 IE3	2120	13.90	8.00		4.00	12000	83	228
CMRH-1650-X/R-4 IE3	1530	10.70	6.15		3.00	9910	80	217
CMRH-1650-X/R-5.5 IE3	1720	13.90	8.00		4.00	11140	82	233
CMRH-1650-X/R-7.5 IE3	1910		10.30	5.97	5.50	12370	84	273
CMRH-1856-X/R-5.5 IE3	1365	13.90	8.00		4.00	14210	79	243
CMRH-1856-X/R-7.5 IE3	1535		10.30	5.97	5.50	15980	81	283
CMRH-1856-X/R-10 IE3	1705		13.90	8.06	7.50	17780	83	273
CMRH-2063-X/R-7.5 IE3	1365		10.30	5.97	5.50	22860	82	288
CMRH-2063-X/R-10 IE3	1515		13.90	8.06	7.50	25370	84	278
CMRH-2063-X/R-15 IE3	1700		20.90	12.10	11.00	28470	86	305
CMRH-2271-X/R-15 IE3	1370		20.90	12.10	11.00	32300	87	350
CMRH-2271-X/R-20 IE3	1540		27.90	16.20	15.00	36300	90	375
CMRH-2380-X/R-25 IE3	1280		35.10	20.30	18.50	43885	83	405
CMRH-2380-X/R-30 IE3	1365		41.00	23.80	22.00	46800	85	422

CENTRIFUGAL FANS AND IN-LINE DUCT EXTRACTOR FANS

Dimensions mm

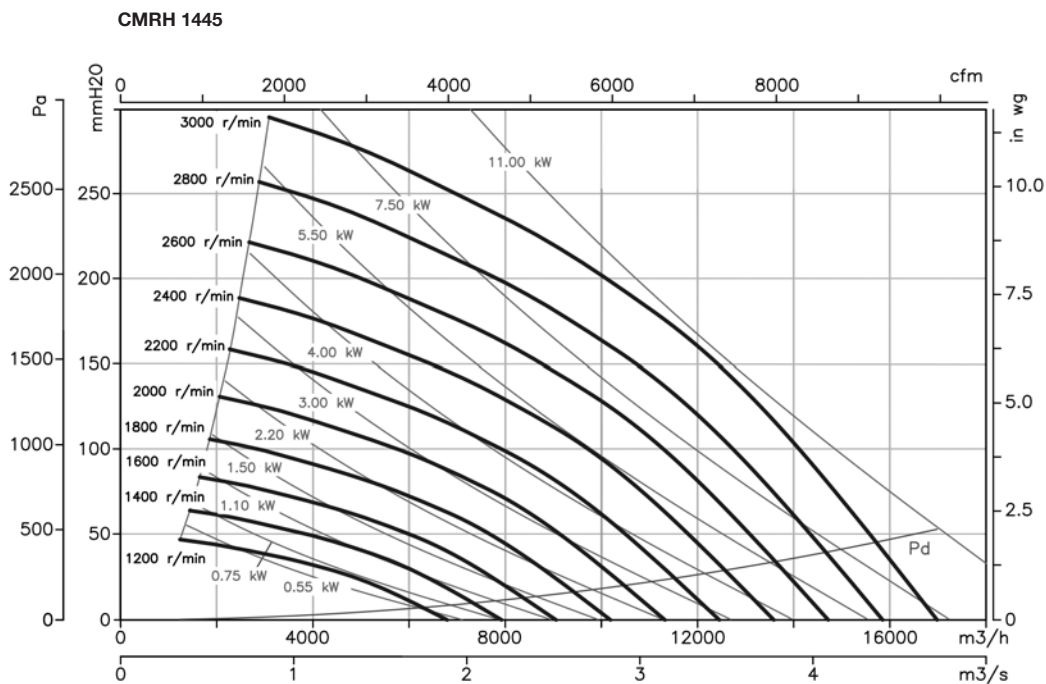


	A	B	C	ϕD	E	F	G	H	I	ϕJ	L
CMRH-1445-X/R-3	740	177	16	12	660	150	5	43	202	458	710
CMRH-1445-X/R-4	740	177	16	12	660	150	5	43	202	458	710
CMRH-1445-X/R-5.5	740	177	16	12	660	150	5	43	202	458	710
CMRH-1650-X/R-4	740	177	16	12	660	150	5	43	224	508	710
CMRH-1650-X/R-5.5	740	177	16	12	660	150	5	43	224	508	710
CMRH-1650-X/R-7.5	740	177	16	12	660	150	5	43	224	508	710
CMRH-1856-X/R-4	800	192	16	12	720	150	5	43	245.5	573	816
CMRH-1856-X/R-5.5	800	192	16	12	720	150	5	43	245.5	573	816
CMRH-1856-X/R-7.5	800	192	16	12	720	150	5	43	245.5	573	816
CMRH-2063-X/R-7.5	800	192	16	12	720	150	5	43	274	644	816
CMRH-2063-X/R-10	800	192	16	12	720	150	5	43	274	644	816
CMRH-2063-X/R-15	800	192	16	12	720	150	5	43	274	644	816
CMRH-2271-X/R-15	970	233	20	14	870	150	5	43	295	719	817
CMRH-2271-X/R-20	970	233	20	14	870	150	5	43	295	719	817
CMRH-2380-X/R-25	970	232.5	20	14	870	150	5	53.5	400	810	902
CMRH-2380-X/R-30	970	232.5	20	14	870	150	5	53.5	400	810	902

Characteristic curves

Q= Flow rate in m³/h, m³/s and cfm

Pe= Static pressure in mm H₂O, Pa and inwg

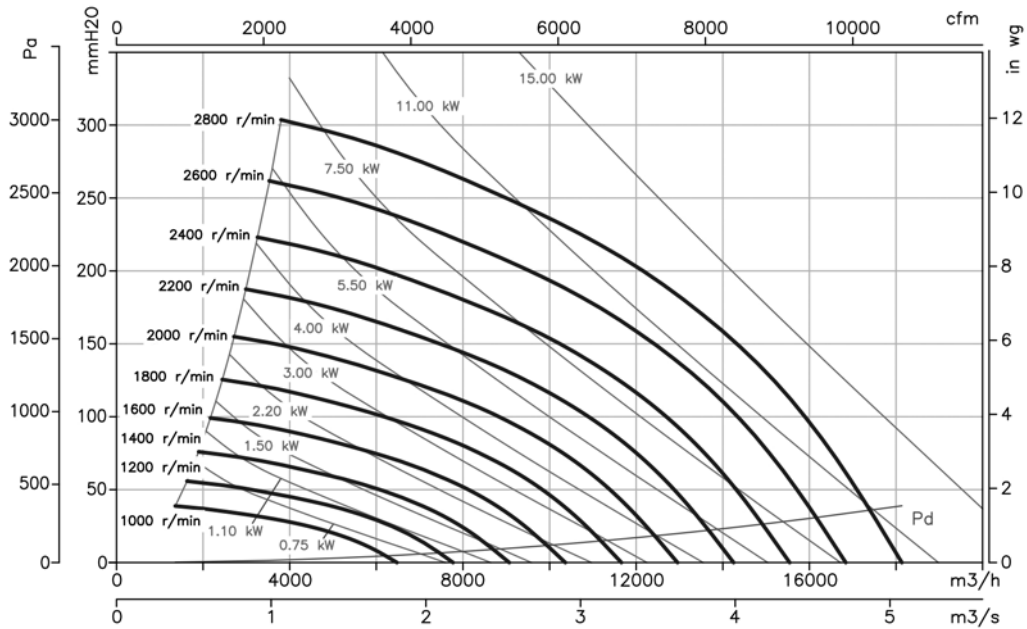


Characteristic curves

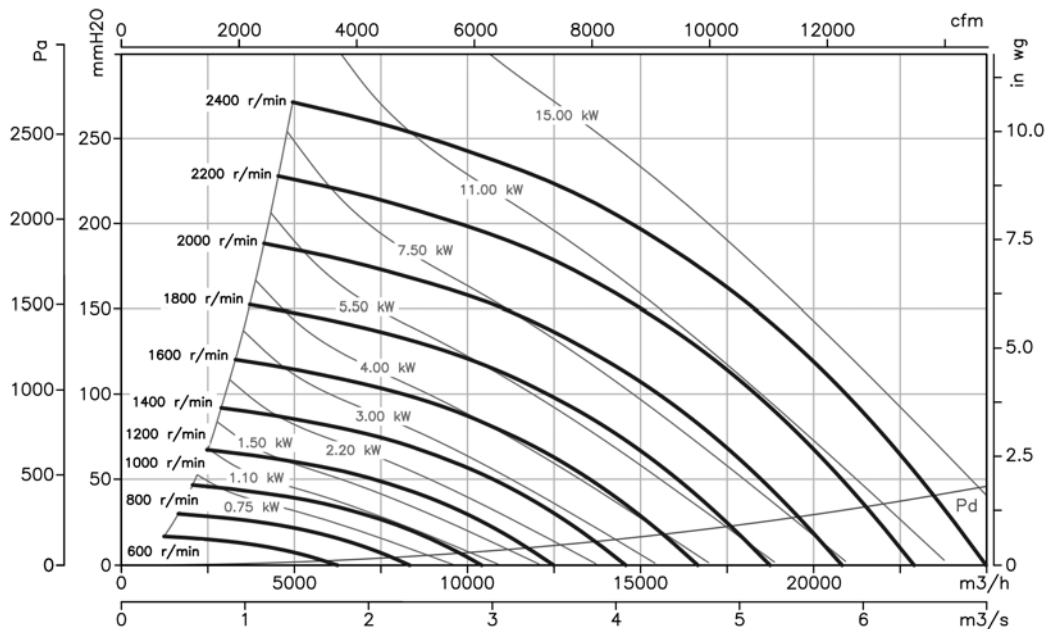
Q= Flow rate in m³/h, m³/s and cfm

Pe= Static pressure in mm H₂O, Pa and inwg

CMRH 1650



CMRH 1856



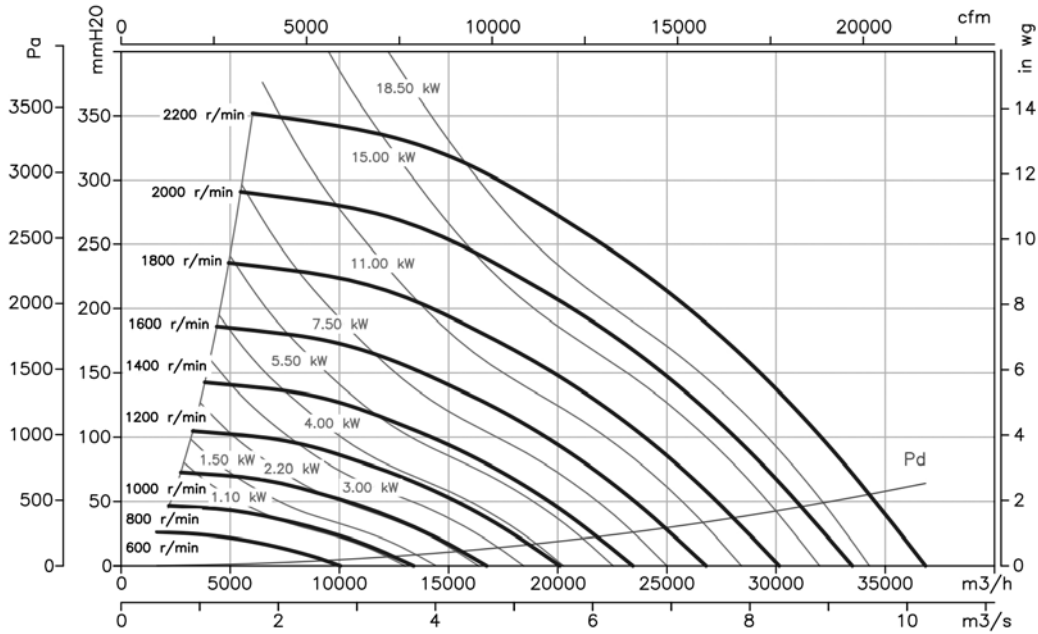
CENTRIFUGAL FANS AND IN-LINE DUCT EXTRACTOR FANS

Characteristic curves

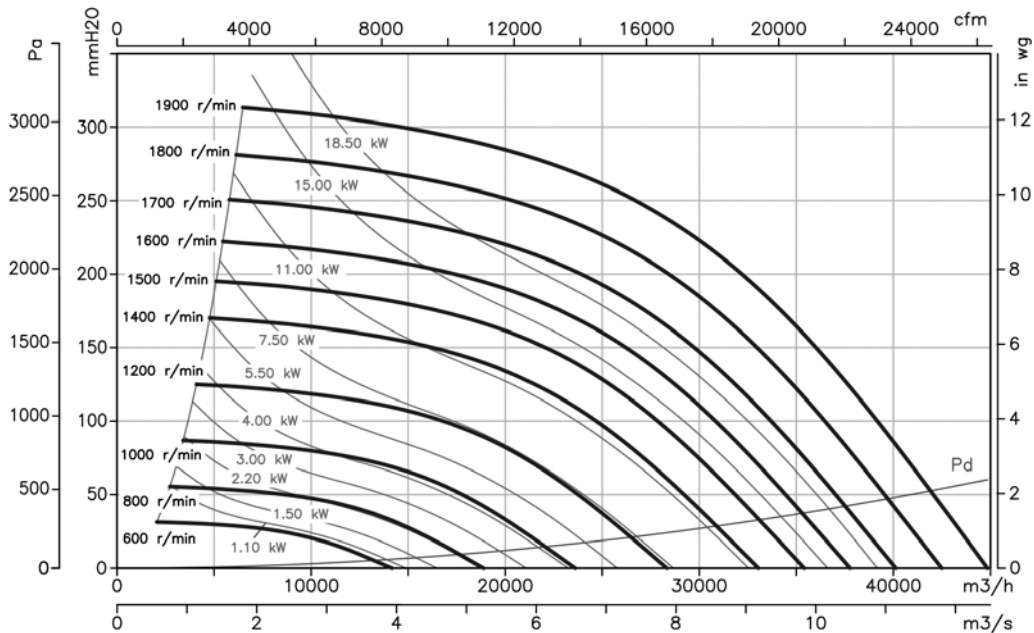
Q= Flow rate in m³/h, m³/s and cfm

Pe= Static pressure in mm H₂O, Pa and inwg

CMRH 2063



CMRH 2271

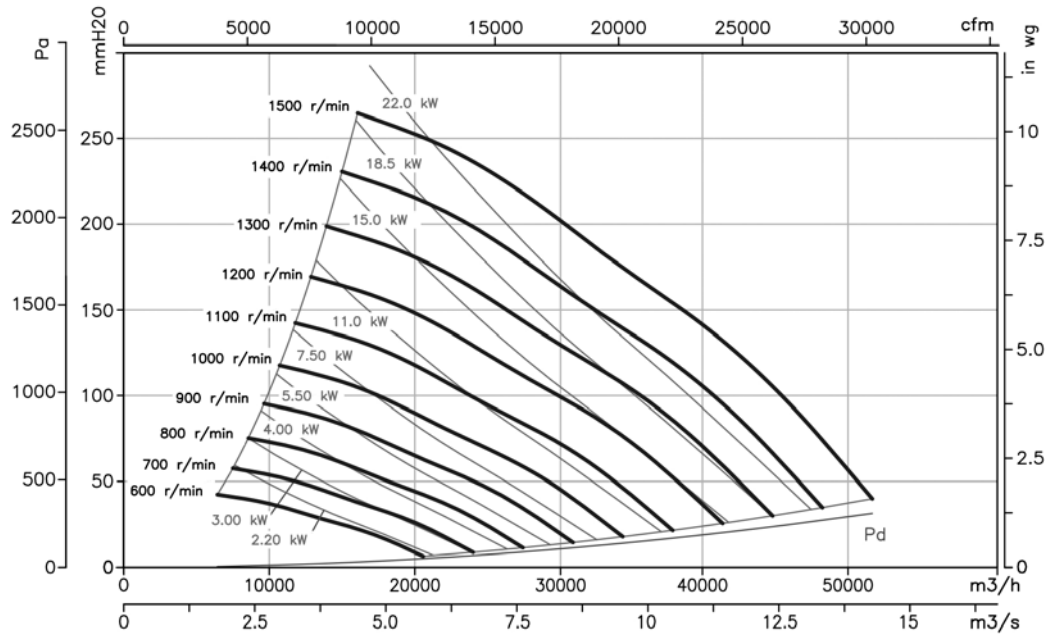


Characteristic curves

Q= Flow rate in m³/h, m³/s and cfm

Pe= Static pressure in mm H₂O, Pa and inwg

CMRH 2380



Accessories

See accessories section.



IN-LINE
ACCESSORIES

CENTRIFUGAL
FANS
ACCESSORIES



Electronic speed controllers



DUO



Brushless motor speed control



Input and output kits



Rectangular grilles



SV series protective grilles



Outlet nozzles



Intake nozzles



Inlet/outlet nozzles



Overpressure blinds



Circular grilles



Electric coils



Butterfly valves



Non-return gates



Air filter boxes



STUB



S

294 INT
Stop-start safety switches compliant with standard UNE-EN 60204-1.



294 IAT
On-off safety switch, for 400 °C/2h.



294 CABLE BOX
400 °C/2h electric cable kit and junction box.



294 C2V
Change-over switch for 2-speed motors.



294 RM
Electronic speed controllers.



295 RMC
Voltage adjuster for asynchronous single-phase motors.



**295 VSD3/A-RFT
VSD1/A-RFM**
Frequency converters for
three-phase 400 V motors.



298 B
Coupling flange for
centrifugal fans.



302 ACE
Elastic coupling to attenuate
vibrations.



304 ARO
Inlet nozzle for furnace
recirculation fans.



**296 ELECTRIC
CONTROL PANELS**
Electric control panels.



300 BD
Double coupling flange for
centrifugal fans.



303 REG
Manual regulation chamber.



304 CJACUS
Acoustic boxes for
centrifugal fans.



296 PL
Overpressure blinds.



301 BIC
Rectangular to circular
conversion flange for
centrifugal fans.



304 TEJ
Cowls to protect from
outdoor conditions.



305 S
Silencers for coupling to
inlet or impulsion.



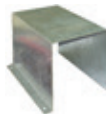
297 RPA
Protective grille for
centrifugal fans inlet.



302 PSB
Low pressure centrifugal
fans support feet unit.



304 CM
Motor cover for outdoor
operation.



308 MOTORS
Asynchronous three-phase
motors.



297 DRALL-REGLER
Manually-operated impulsion
and inlet nozzle flow rate
adjustment valves.



302 SM
Motor support with belt
tensioner for low pressure
centrifugal fans.



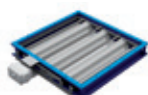
304 TAC
Circular coupling cover.



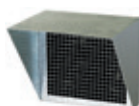
**309 EXHAUST NOZZLES
FOR HOUSES**



**297 OVERLAPPING
SLAT VALVE**
Manually-operated impulsion
and inlet nozzle flow rate
adjustment valves.



302 VIS
Impulsion visors with
protective grilles.



304 VOL
Wrap-around casing for
furnace recirculation fans.



311 SMART SENSORS



Electronic speed controllers



For single-phase extractor fans, possibility of flush or recessed mounting

Model	Input voltage	Protection	Max. (A)	Curr.
RM-00	230 V-50/60 Hz	IP44	0,5	
RM-01	230 V-50/60 Hz	IP44	1	
RM-02	230 V-50/60 Hz	IP44	2	

Intake nozzles



Made of plastic material for insertion in duct

Model	Ext. measurements	Duct
BC-135x235	135x235mm	100mm
BC-140x340	140x340mm	100mm
BC-240x240	240x240mm	150mm

Input and output kits



Formed by 2 grilles and a flexible tube

Model	Duct	Air passage
KIT-120	120mm	100cm ²
KIT-160	160mm	100cm ²
KIT-200	200mm	100cm ²

Overpressure blinds



Overpressure blind made of plastic material for wall application

Model	External measurements
PL-10	For diameters of 90, 100 and 120 mm
PL-15	For diameters of 150mm
PL-140x140	140x140
PL-180x180	180x180
PL-240x240	240x240
PL-340x340	340x340
PL-440x440	440x440

Electric coils



Adapted to outlet nozzle

Model	Electric coil for duct
BE-100	100 mm de 0,4 kW 230 V
BE-125	125 mm de 1,2 kW 230 V
BE-160	160 mm de 2,4 kW 230 V
BE-200	200 mm de 5 kW 400 V
BE-250	250 mm de 6 kW 400 V
BE-315	315 mm de 7,5 kW 400 V
BE-355	355 mm de 9 kW 400 V
BE-400	400 mm de 9 kW 400 V

DUO



Speed change and stop switch for small fans with 2-speed motors

Model	Input voltage	Max. Curr. (A)
DUO	230 V-50/60 Hz	16

Outlet nozzles



Made of plastic material for outdoor installation

Model	External measurements
SA-140x140	140x140mm
SA-240x240	240x240mm

Rectangular grilles



Made of plastic material for insertion in rectangular hole

Model	Ext. measurements	For hole of
R-140 x 140	140 x 140 mm	102 x 102 mm
R-189 x 189	189 x 189 mm	150 x 150 mm
R-240 x 140	240 x 140 mm	202 x 102 mm
R-340 x 140	340 x 140 mm	308 x 108 mm

SV series protective grilles



Prevents contact with turbine and possible entry of objects

Model	Applicable to models
RAI-125	SV-125
RAI-150	SV-150
RAI-200	SV-200
RAI-250	SV-250
RAI-315	SV-315
RAI-350	SV-350
RAI-400	SV-400

Non-return gates



For insertion in circular ducts

Model	Applicable to models	Model	Applicable to models
S-100 CP	NEOLINEO-100	S-200 CP	NEOLINEO-200
S-125 CP	NEOLINEO-125	S-250 CP	NEOLINEO-250
S-150 CP	NEOLINEO-150	S-315 CP	NEOLINEO-315
S-160 CP	NEOLINEO-160		

Brushless motor speed control



Model	Output voltage	Resistivity value
MTP	0-10VDC	10KΩ

Inlet/outlet nozzles



Made of plastic material and fitted with a diffuser

Model	For ducts	Colour
BA-100/B	100mm	White
BI-100/B	100mm	White

Circular grilles



Made of plastic material with a universal spring system for insertion in a circular hole

Model	Ext. measurements	For hole of
RC-100/B	106 mm	40 a 80 mm
RC-125/B	155 mm	80 a 125 mm
RC-150/B	175 mm	125 a 160 mm
RC-200/B	235 mm	165 a 220 mm
RC-250/B	270 mm	220 a 260 mm

Air filter boxes



Rectangular filter boxes for circular ducts, fitted with G3-G4 filters

Model	G3-G4 filter boxes for ducts
AIRFILTER-100-G3/G4	100mm
AIRFILTER-125-G3/G4	125mm
AIRFILTER-160-G3/G4	160mm
AIRFILTER-200-G3/G4	200mm
AIRFILTER-250-G3/G4	250mm
AIRFILTER-315-G3/G4	315mm
AIRFILTER-355-G3/G4	355mm
AIRFILTER-400-G3/G4	400mm

Butterfly valves



For insertion in circular ducts

Model	Applicable to models	Model	Applicable to models
V-100	100mm	V-250	250mm
V-125	125mm	V-315	315mm
V-160	160mm	V-355	355mm
V-200	200mm	V-400	400mm

Decorative grille

White plastic grille with fine slats for wall or ceiling application



Model

RD-100 For diameters of 90, 100 and 120 mm

RD-150 For diameters of 150mm

STUB



Fan support

Model	Applicable to models
STUB-200	TUB
STUB-225	TUB
STUB-250	TUB
STUB-315	TUB

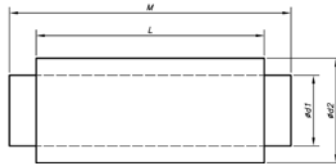
SC



Silencers for coupling to inlet or impulsion

Characteristics:

- Circular silencers for coupling to inlet or impulsion of in line fans.
- Silencers fitted with necks for coupling to circular ducts.



Model	Ød1	Ød2	L	M	Acoustic attenuation							
					63	125	250	500	1000	2000	4000	8000
SC-125	125	225	600	720	1.1	2.9	8.8	19.4	27.2	34.1	27.2	13.4
SC-160	160	260	600	720	1	2.9	7.2	16.5	23.4	29.6	20.3	9.2
SC-200	200	300	600	720	0.95	2.9	7	14.6	20.3	25.8	15.6	6.8
SC-250	250	355	600	720	0.22	2.1	7.2	12.5	18.8	23	10.3	5.15
SC-315	315	415	600	720	0.2	2.1	7.2	10.3	15	20	7	3.9
SC-355	355	450	700	820	3.6	4.2	6.5	13.2	14.2	4	7.9	7.2



INT Stop-start safety switches compliant with standard UNE-EN 60204-1

- Characteristics:
- Switches for installation next to fan, to shut off the current before handling the fan.
 - IP65 protection.
 - Single-phase or three-phase fans, use 3-pole switch (3CA).
 - Three-phase or 2-speed fans, use 6-pole switch (6CA).

Model	Current (A)	(kW)	Cable entry (mm)	Model	Current (A)	(kW)	Cable entry (mm)
INT-KG 20/3CA	16	7.5	29	INT-KG 20/6CA	16	7.5	29
INT-KG 41/3CA	32	15	37.5	INT-KG 41/6CA	32	15	37.5
INT-KG 64/3CA	63	22	37.5	INT-KG 64/6CA	63	22	37.5
INT-KG 80/3CA	80	30	37.5	INT-KG 80/6CA	80	30	37.5
INT-KG 100/3CA	100	37	37.5	INT-KG 100/6CA	100	37	37.5



IAT 400 °C/2h stop-start safety switches that comply with standard UNE-EN 60204-1

- Characteristics:
- 400 °C/2h switches for installation next to fan, to shut off the current before handling the fan.
 - IP65 protection model 400 °C/2h.

Model	Current (A)	Model	Current (A)
IAT-400-20/3P	20	IAT-400-20/6P	20
IAT-400-32/3P	32	IAT-400-32/6P	32
IAT-400-63/3P	63	IAT-400-63/6P	63
IAT-400-125/3P	125	IAT-400-125/6P	125



CABLE BOX 400 °C/2h electric cable and junction box kit for external connection to motor in fire-fighting systems

- Characteristics:
- 6-stranded electric cable + ground wire connection with a length of 1.5 m and terminals at each end.
 - Cast aluminium terminal box.
 - Ceramic terminal stripe.
 - Kit and CJBDT series extractor fans certified with certification no. 0370-CPR-0580.

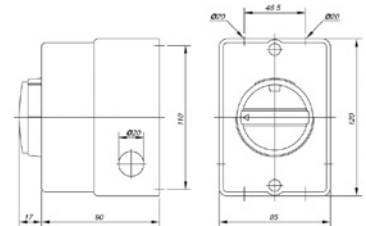
Description	Max. motor size	Maximum power 400 V (HP)				APPLICABLE TO DIAMETERS										
		1 speed	2 speed	40	45	50	56	63	71	80	90	100	125	140	160	
CABLE BOX-1 (4Gx2.5) LL-450	100	4	N/A	X	X	X	X	X	X	X						
CABLE BOX-1 (7Gx2.5) LL-450	112	5.5	6	X	X	X	X	X	X							
CABLE BOX-2 (7Gx2.5) LL-550	160	12	12				X	X		X	X					
CABLE BOX-2 (7Gx2.5) LL-800	132	10	9									X				
CABLE BOX-3 (7Gx4) LL-800	160	20	20										X			
CABLE BOX-3 (7Gx6) LL-800	160	22	22					X						X	X	X
CABLE BOX-4 (7Gx10) LL-800	280	75	40											X	X	X
CABLE BOX-4 (13Gx10) LL-800	280	100	N/A											X		



C2V Change-over switch for 2-speed motors

- Characteristics:
- 1-0-2 3-position switch for operating 2-speed Dahlander connection motors.
 - IP67 protection.

Model	Current (A)	(kW)	Cable entry (mm)
C2V-CG10 A441	20	5.5	20



RM Electronic speed controllers for single-phase motors

The RM models are voltage-regulated. The RM/VSD1 models are frequency-regulated

- Common characteristics:
- Variable speed drives for fans with asynchronous single-phase motors
 - Speed drive power supply single-phase 230 V 50/60 Hz
 - Start-stop switch
 - Speed adjustment by means of analogue control
 - Compliant with EM Compatibility and
 - 2004/108/EC and Low Voltage 2006/95/EC Directives

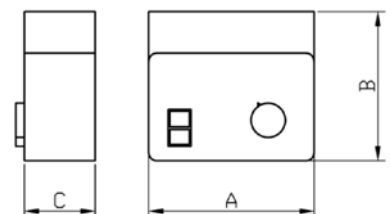
- RM model characteristics:
- Minimum speed adjustment
 - With EMC filters in accordance with Standard EN-55014

- RM/VSD1 model characteristics:
- 16AF protective fuse
 - Dual passive (radiator) and active (cooling fan) heat dissipation system

Model	Regulation type	Input voltage	Output voltage	Protection	Maximum current (A)
RM-00	Voltage	230 V-50/60 Hz	230 V-50/60 Hz	IP44	0.5
RM-01	Voltage	230 V-50/60 Hz	230 V-50/60 Hz	IP44	1
RM-02	Voltage	230 V-50/60 Hz	230 V-50/60 Hz	IP44	2
RM-1	Voltage	230 V-50/60 Hz	230 V-50/60 Hz	IP54	3
RM-2	Voltage	230 V-50/60 Hz	230 V-50/60 Hz	IP54	5
RM-3	Voltage	230 V-50/60 Hz	230 V-50/60 Hz	IP54	10
RM/VSD1-3.5	Frequency	230 V-50/60 Hz	230 V-35/50 Hz	IP20	3.5
RM/VSD1-8.0	Frequency	230 V-50/60 Hz	230 V-35/50 Hz	IP20	8



Model	A	B	C
RM-00	81	81	66
RM-01	81	81	66
RM-02	81	81	66
RM-1	80	145	80
RM-2	96	164	85
RM-3	96	164	85
RM/VSD1-3.5	200	180	100
RM/VSD1-8.0	200	225	100





RMC Voltage adjuster for asynchronous single-phase motors

Voltage adjuster for asynchronous single-phase motors
Compatible with SI-MF, SI-HUMEDAD, SI-PIR and SI-CO2 sensors for automatic regulation

Model	Regulation type	Input voltage	Protection	Maximum current (A)
RMC	Voltage	230 V-50/60 Hz	IP54	1.5



VSD1/B VSD3/B

Characteristics:

- Converters for supplying Brushless Industrial synchronous motors.
- Converter power supply:
 - Single-phase (VSD1/B): 200-240 V-50/60 Hz
 - Three-phase (VSD3/B): 380-480V 50/60 Hz
- Compliant with the 2014/30/EU Electromagnetic Compatibility Directive, 2014/35/EU Low Voltage Directive and 2006/42/EC Machinery Safety Directive.
- Pursuant to:
 - UNE EN 61800-3: Adjustable speed electrical power drive systems. EMC-related product standard including specific test methods.
 - UNE EN 61800-5-1: Adjustable speed electrical power drive systems. Safety requirements. Electrical, thermal and power.
 - UNE EN 60204-1: Machinery safety. Electrical equipment of machines. General requirements.
 - UNE EN 55011: Limits and methods for the measurement of characteristics relating to radioelectric perturbations of industrial, scientific and medical equipment (ISM) that generates radiofrequency energy.
 - IEC 60529: Specification for degrees of protection in enclosures.
- Stop/start input for disabling/enabling converter.
- 0-10 V input for speed control.
- ModBus RTU bus connection available.
- Standard model with IP20 protection. IP66 version on request.

Electronic variable speed drives for brushless motors

VSD1/B

Model	VSD1/B-0.37kW	VSD1/B-0.75kW	VSD1/B-1.5kW	VSD1/B-2.2kW
Maximum current (A)	2.3	4.3	7.0	10.5
Power (kW)	0.37	0.75	1.5	2.2
Inlet				
Inlet type	Single-phase	Single-phase	Single-phase	Single-phase
Voltage (V)	220-240 V	220-240 V	220-240 V	220-240 V
Frequency (Hz)	50-60 Hz	50-60 Hz	50-60 Hz	50-60 Hz
Outlet				
Outlet type	Three-phase	Three-phase	Three-phase	Three-phase
Voltage (V)	140-230 V	140-230 V	140-230 V	140-230 V
Frequency (Hz)	0-100 Hz	0-100 Hz	0-100 Hz	0-100 Hz
Protection grades		Standard: IP20 On request: IP66		
Cooling		IP20: Forced IP66: Natural		

VSD3/B

Model	VSD3/B-0.75kW	VSD3/B-1.5kW	VSD3/B-2.2kW
Maximum current (A)	2.2	4.1	5.8
Power (kW)	0.75	1.5	2.2
Inlet			
Inlet type	Three-phase	Three-phase	Three-phase
Voltage (V)	380-480 V	380-480 V	380-480 V
Frequency (Hz)	50-60 Hz	50-60 Hz	50-60 Hz
Outlet			
Outlet type	Three-phase	Three-phase	Three-phase
Voltage (V)	240-480 V	240-480 V	240-480 V
Frequency (Hz)	0-100 Hz	0-100 Hz	0-100 Hz
Degrees of protection		Standard: IP20 On request: IP66	
Cooling		IP20: Forced IP66: Natural	



VSD1/A-RFM VSD3/A-RFT

Characteristics:

- Variable speed converters via voltage and frequency, for axial and centrifugal fans with asynchronous three-phase motors
- Converter power supply:
 - Single-phase (VSD1/A-RFM): 200-240 V 50/60 Hz
 - Three-phase (VSD3/A-RFT): 380-480V 50/60 Hz
- Based on EU EM Compatibility Directive 2014/30/EU, Low Voltage Directive 2014/35/EU and Machinery Safety Directive 2006/42/EU.
- Pursuant to:
 - UNE EN 61800-3: Adjustable speed electrical power drive systems. EMC-related product standard including specific test methods.
 - UNE EN 61800-5-1: Adjustable speed electrical power drive systems. Safety requirements. Electrical, thermal and power.
 - UNE EN 60204-1: Machinery safety. Electrical equipment of machines. General requirements.
 - UNE EN 55011: Limits and methods for the measurement of characteristics relating to radioelectric perturbations of industrial, scientific and medical equipment (ISM) that generates radiofrequency energy.
 - IEC 60529: Specification for degrees of protection in enclosures.
- Stop/start input for disabling/enabling converter.
- 0-10 V input for speed control.
- ModBus RTU bus connection available.
- Standard model with IP20 protection. Also available in IP66 version up to 10 HP. For powers higher than 15 HP only available with IP55 protection.

Electronic variable speed drives for AC motors

VSD1/A-RFM

Model	VSD1/A-RFM-0.5	VSD1/A-RFM-1	VSD1/A-RFM-2	VSD1/A-RFM-3
Power (HP)	0.50	1.00	2.00	3.00
Power (kW)	0.37	0.75	1.50	2.20
Maximum current (A)	2.3	4.3	7.0	10.5
Inlet				
Inlet type	Single-phase	Single-phase	Single-phase	Single-phase
Voltage (V)	200-240 V	200-240 V	200-240 V	200-240 V
Frequency (Hz)	50-60 Hz	50-60 Hz	50-60 Hz	50-60 Hz
Outlet				
Outlet type	Three-phase	Three-phase	Three-phase	Three-phase
Voltage (V)	200-240 V	200-240 V	200-240 V	200-240 V
Frequency (Hz)	0-500 Hz	0-500 Hz	0-500 Hz	0-500 Hz
Degrees of protection		Standard: IP20 On request: IP66		
Cooling		IP20: Forced IP66: Natural		

VSD3/A-RFT

Model	VSD3/A-RFT-1	VSD3/A-RFT-2	VSD3/A-RFT-3	VSD3/A-RFT-5.5	VSD3/A-RFT-7.5	VSD3/A-RFT-10	VSD3/A-RFT-15	VSD3/A-RFT-20	VSD3/A-RFT-25	VSD3/A-RFT-30	
Power (HP)	1.00	2.00	3.00	5.50	7.50	10.00	15.00	20.00	25.00	30.00	
Power (kW)	0.75	1.50	2.20	4.00	5.50	7.50	11.00	15.00	18.50	22.00	
Maximum current (A)	2.2	4.1	5.8	9.5	14.0	18.0	24.0	30.0	39.0	46.0	
Inlet											
Inlet type	Three-phase	Three-phase	Three-phase	Three-phase	Three-phase	Three-phase	Three-phase	Three-phase	Three-phase	Three-phase	
Voltage (V)	380-480 V	380-480 V	380-480 V	380-480 V	380-480 V	380-480 V	380-480 V	380-480 V	380-480 V	380-480 V	
Frequency (Hz)	50-60 Hz	50-60 Hz	50-60 Hz	50-60 Hz	50-60 Hz	50-60 Hz	50-60 Hz	50-60 Hz	50-60 Hz	50-60 Hz	
Outlet											
Outlet type	Three-phase	Three-phase	Three-phase	Three-phase	Three-phase	Three-phase	Three-phase	Three-phase	Three-phase	Three-phase	
Voltage (V)	380-480 V	380-480 V	380-480 V	380-480 V	380-480 V	380-480 V	380-480 V	380-480 V	380-480 V	380-480 V	
Frequency (Hz)	0-500 Hz	0-500 Hz	0-500 Hz	0-500 Hz	0-500 Hz	0-500 Hz	0-500 Hz	0-500 Hz	0-500 Hz	0-500 Hz	
Protection grades			Standard: IP20 On request: IP66						IP20		IP20
Cooling			IP20 and IP55: Forced IP66: Natural								

CENTRIFUGAL FANS AND IN-LINE DUCT EXTRACTOR FANS

VSD complements

Braking resistance 200 W	L 12 A filter	LC 8 A filter	LC 50 A filter
Single-phase input inductance 16 A	L 30 A filter	LC 10 A filter	LC 60 A filter
Single-phase input inductance 25 A	L 75 A filter	LC 15 A filter	LED display + 3m cable
Three-phase input inductance 6 A	LC 1 A filter	LC 20 A filter	OLED RJ45 display
Three-phase input inductance 10 A	LC 2 A filter	LC 25 A filter	Bluetooth interface
Three-phase input inductance 36 A	LC 4 A filter	LC 30 A filter	
L 8 A filter	LC 6 A filter	LC 40 A filter	



GMP Electrical panel for fan start-up and fan protection with three-phase motor and stop-start push buttons

Characteristics:

- Stop and start via push button
- With contactor and adjustable thermal relay, fully wired, for motor protection
- The stop button is used to reset the thermal relay, in the event of being triggered due to overload
- For surface mounting, IP55 protection

For fan with 230 V three-phase motor

Model	Regulation current (A)	Motor power 3x230 V (kW)
GMP-0.2-0.33/230	1.2-1.8	0.25
GMP-0.2-0.75/230	1.8-2.8	0.37 / 0.55
GMP-0.2-1/230	2.8-4	0.75
GMP-0.2-1.5/230	4-6.3	1.10
GMP-0.2-2/230	5.6-8	1.50
GMP-0.4-3/230	7-10	2.20
GMP-0.4-4/230	8-12.5	3.00
GMP-0.4-5.5/230	11-17	4.00
GMP-0.4-7.5/230	15-23	5.50
GMP-0.4-10/230	22-32	7.50
GMP-0.6-12.5/230	25-40	9.20
GMP-0.6-15/230	25-40	11.00

For fan with 400 V three-phase motor

Model	Regulation current (A)	Motor power 3x400 V (kW)
GMP-0.2-0.33/400	0.56-0.8	0.25
GMP-0.2-0.5/400	0.8-1.2	0.37
GMP-0.2-0.75/400	1.2-1.8	0.55
GMP-0.2-1.5/400	1.8-2.8	1.10
GMP-0.2-2/400	2.8-4	1.50
GMP-0.2-3/400	4-3	2.20
GMP-0.2-4/400	5.6-8	3.00
GMP-0.4-5.5/400	7-10	4.00
GMP-0.4-7.5/400	8-12.5	5.50
GMP-0.4-10/400	11-17	7.50
GMP-0.6-12.5/400	15-23	9.20
GMP-0.6-15/400	15-23	11.00
GMP-0.6-20/400	22-32	15.00
GMP-0.6-25/400	25-40	18.50



AET Electrical panel with star/triangle starter and three-phase fan protection, with stop and start push buttons

Characteristics:

- Stop and start via push button
- View of status through luminous pilot lamps
- With adjustable thermal relay for motor protection
- Fully wired
- Metal box for surface mounting, IP65 protection

For fan with three-phase 400 V/690 V motor 3x400 V+N power supply

Model	Thermal relay adjustment current (A)	Motor power 3x400 V/690 V (kW)
AET-01-5.5/400	4-6.3	4
AET-01-7.5/400	5-8	5.5
AET-01-10/400	7-10	7.5
AET-01-15/400	12-18	11
AET-01-20/400	12-18	15

Model	Thermal relay adjustment current (A)	Motor power 3x400 V/690 V (kW)
AET-01-30/400	18-26	18.5/22.0
AET-01-40/400	28-40	30
AET-02-50/400	34-50	37
AET-02-60/400	45-65	45
AET-02-75/400	45-65	55



MTP 0-10 V brushless motor speed control

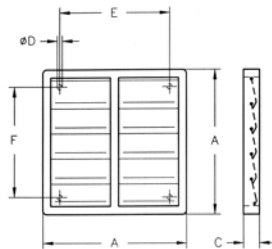
- Power meter for fan speed control fitted with 0-10 V DC brushless motor
- Gradually delivers a voltage of between 0 and 10 V DC.
- It may be used as a switch.
- Moisture-repellent body.
- Option of flush or recessed mounting.



PL Overpressure blinds made of plastic material

Characteristics:

- The overpressure blind is fitted directly over the wall where the fan is installed
- Aperture by overpressure due to air flow
- Closed when the fan is at rest
- Made of plastic material
- Maximum speed recommended 12m/sec. for models 80, 90 and 100



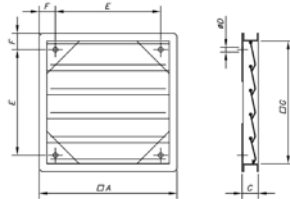
	A	C	ØD	E	F
PL-20	240	28	5.2	193	167
PL-25	294	26	5	232	232
PL-31	347	26	5	276	276
PL-35	397	26	5	310	310
PL-40	459	26	5	364	364
PL-45	501	26	5	395	395
PL-50	549	31	5	445	445
PL-56	605	28	5	522	522
PL-63	696	31	5	626	626
PL-71	760	40	5	692	692
PL-80	840	40	5	772	772
PL-90	940	40	5	872	87
PL-100	1040	40	5	972	972



P Overpressure blinds made of aluminium

Characteristics:

- The overpressure blind is fitted directly over the wall where the fan is installed
- Aperture by overpressure due to air flow
- Closed when the fan is at rest
- Made of aluminium sheet metal except for models 125 and 140, which are made of galvanised sheet steel
- Maximum speed recommended 18m/sec. for 90, 100, 125 and 140 models



	G	A	C	ØD	E	F
P 25	240	290	51	6	180	55
P 35	350	400	51	6	290	55
P 45	450	500	51	6	390	55
P 56	550	600	51	6	440	80
P 63	645	715	72	6	555	80
P 71	710	780	72	6	620	80
P 80	805	875	72	6	695	90
P 90	900	970	72	6	790	90
P 100	1000	1070	72	6	890	90
P 125	1406	1486	102	6	1304	90
P 140	1506	1586	102	6	1366	110

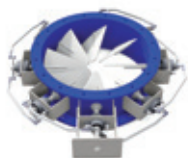


RPA Protective grille for centrifugal fans inlet

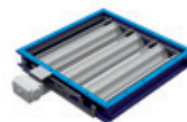
Characteristics:

- Prevents contact with the impeller and the possible entry of objects, based on standard UNE-EN ISO 12499
- Made of sheet steel

	CMA CMAT	CB	CBP	CAS	CA	CAM	CMP	TCMP	CMT	CMR	TCR TCR/R	CASB CASB-X	CMRS CMRS-X	CAST	CAB	CRL
RPA-10	-	-	-	-	-	-	38	-	-	-	-	-	-	-	-	-
RPA-11	218	-	-	-	-	-	-	-	-	-	-	-	-	-	-	-
RPA-13	324	-	-	-	234	-	-	-	-	-	-	-	-	-	-	-
RPA-15	325/426	-	-	242	142	-	512	-	-	-	-	-	-	-	-	-
RPA-17	527	-	-	248	148	-	514	-	-	-	-	-	-	-	-	-
RPA-18	528	-	-	254	154	-	-	-	-	-	-	-	-	-	-	-
RPA-20	531	-	-	260	-	-	616	-	-	-	-	-	-	-	-	-
RPA-23	-	-	-	-	160/166 172	540/545	718	-	922	-	-	-	-	-	-	-
RPA-25	540/545	820	-	-	-	-	620/820	820	1025	-	-	-	-	-	-	-
RPA-25/2	-	-	-	790	-	-	-	-	-	-	-	-	-	-	-	-
RPA-26	-	-	-	-	-	-	-	-	-	-	-	-	-	400	-	-
RPA-28	-	-	-	463/467	-	550/752	922	922	1128	-	-	-	-	450	501	822
RPA-30	-	-	-	-	-	-	-	-	-	-	-	-	-	500	561/562	-
RPA-31	-	1428	-	571/640 645/650/	-	760	1025	1025	1231	-	-	-	-	-	-	925
RPA-32	-	-	-	980/1080	-	-	-	-	-	-	-	-	-	560	631/632	-
RPA-35	-	-	-	852/990/1090	-	-	1128	1435/1640	1435/1640	-	-	-	-	-	-	1028
RPA-36	-	-	-	-	-	-	-	-	-	-	-	350	-	630	711/712	-
RPA-38	-	1733	-	-	-	880	1231	1231	-	1031	-	-	-	-	-	1031
RPA-40	-	-	-	-	-	-	-	-	-	-	-	400	-	710	801/802	-
RPA-42	-	-	-	856	-	-	1435	1435	1845	1135	-	-	-	-	-	1135
RPA-44	-	-	-	1250/A	-	-	-	-	-	-	-	450	350	800	901/902	-
RPA-47	-	2240	-	863	-	-	1640	2050	2050	1240	1240	-	-	-	-	1240
RPA-48	-	-	-	971-1456/A	-	-	-	-	-	-	-	500	400	900	-	-
RPA-52	-	-	1445	-	-	-	1845	1845	-	1445	1445	560	450	1000	-	1445
RPA-55/60	-	-	1650	-	-	-	2050	2050	-	1650	1650	630	500	-	-	1650
RPA-65	-	-	-	1663/A	-	-	-	-	-	-	-	710	560	-	-	-
RPA-66	-	-	1856 / 1556	-	-	-	-	-	-	1856	1856	-	-	-	-	1856
RPA-73	-	-	-	-	-	-	2563	-	-	2063	2063	-	-	-	-	-
RPA-74	-	-	-	-	-	-	-	-	-	-	-	800	630	-	-	-
RPA-81	-	-	-	1671/A 2071/A	-	-	-	-	-	2271	2271	900	710	-	-	-
RPA-88	-	-	-	2080/A	-	-	-	-	-	2380	2380	1000	800	-	-	-
RPA-90	-	-	-	-	-	-	-	-	-	2590	-	1120	900	-	-	-
RPA-100	-	-	-	-	-	-	-	-	-	28100	-	1250	1000	-	-	-
RPA-125	-	-	-	-	-	-	-	-	-	-	-	1400	1120	-	-	-
RPA-138	-	-	-	-	-	-	-	-	-	-	-	1600	1250	-	-	-
RPA-153	-	-	-	-	-	-	-	-	-	-	-	-	1400	-	-	-
RPA-173	-	-	-	-	-	-	-	-	-	-	-	-	1600	-	-	-



Drall-Regler



Overlapping slat valve

- Manually-operated flow rate adjustment vales for outlet and inlet nozzle, suitable for temperature ranges between °C -10/ +150 and pressure ranges between 0 / 5,000 Pa.
- Robust fabrication with ball bearings in all shafts.

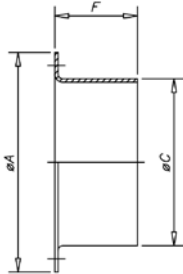
CENTRIFUGAL FANS AND IN-LINE DUCT EXTRACTOR FANS



B

Coupling flange for centrifugal fans

- Characteristics:
- Fitted to the inlet and outlet nozzle
 - Facilitates duct installation



	ØA	ØC	F		ØA	ØC	F		ØA	ØC	F		ØA	ØC	F
B-52-E	100	52	67	B-250/1	310	250	80	B-400/1	480	400	80	B-630/1	720	630	80
B-63	110	63	60	B-250/2	310	250	80	B-400/2	480	400	80	B-630/2	720	630	80
B-80	150	80	60	B-250/3	310	250	80	B-400/3	480	400	80	B-630/3	720	630	80
B-80-E	150	80	60	B-250/4	310	250	80	B-400/4	480	400	80	B-630/4	720	630	80
B-100	150	100	60	B-250/5	310	250	80	B-450/1	530	450	80	B-630/5	720	630	80
B-100-E	170	100	60	B-280/1	350	280	80	B-450/2	530	450	80	B-710/1	800	710	80
B-112	160	112	60	B-280/2	350	280	80	B-450/3	530	450	80	B-710/2	800	710	80
B-125	180	125	60	B-280/3	350	280	80	B-450/4	530	450	80	B-710/3	800	710	80
B-140	190	140	60	B-280/4	350	280	80	B-500/1	590	500	80	B-800	890	800	100
B-150	210	150	60	B-315/1	380	315	80	B-500/2	590	500	80	B-900/1	1000	900	100
B-160	220	160	60	B-315/2	380	315	80	B-500/3	590	500	80	B-1000/1	1100	1000	100
B-160/1	220	160	60	B-315/3	380	315	80	B-500/4	590	500	80	B-1130	1250	1130	100
B-160/2	310	160	80	B-315/4	380	315	80	B-500/5	590	500	80	B-1260	1380	1260	100
B-180	240	180	60	B-315/6	380	315	80	B-560/1	650	560	80	B-1410	1530	1410	100
B-180/1	240	180	60	B-355/1	430	355	80	B-560/2	650	560	80	B-1610	1730	1610	100
B-200	260	200	60	B-355/2	430	355	80	B-560/3	650	560	80				
B-224	280	224	60	B-355/3	430	355	80	B-560/4	650	560	80				
B-228	280	224	60	B-355/4	430	355	80	B-560/5	650	560	80				

Applicable to models (IMPULSION)

Applicable to models (INLET)

	CASB CASB-X	CMRS CMRS-X	CAST	CAB	CRL	CMAT CMA	CB	CAS	CA	CAM	CMP	CMT	CBP	CMR	CMAT CMA	CA
B-52-E	-	-	-	-	-	-	-	-	-	-	-	-	-	-	-	234
B-63	-	-	-	-	-	-	-	-	-	-	-	-	-	-	218/324	142
B-80	-	-	-	-	-	218/324	-	-	-	-	-	-	-	-	325	-
B-80-E	-	-	-	-	-	-	-	-	-	-	-	-	-	-	-	148/154 160/166
B-100	-	-	-	-	-	325	-	-	234	-	-	-	-	-	426/527	-
B-100-E	-	-	-	-	-	-	-	242	142	-	-	-	-	-	-	172
B-112	-	-	-	-	-	426	-	248	148	-	512	-	-	-	-	-
B-125	-	-	-	-	-	527/528	-	254	154	-	-	-	-	-	528	-
B-140	-	-	-	-	-	-	-	-	-	-	514	-	-	-	-	-
B-150	-	-	-	-	-	531	-	260	160	-	-	-	-	-	531/540	-
B-160	-	-	-	-	-	-	-	-	-	-	616	-	-	-	-	-
B-160/1	-	-	-	-	-	-	-	-	-	-	-	-	-	-	-	-
B-160/2	-	-	-	-	-	-	-	-	-	-	-	-	-	-	-	-
B-180	-	-	400	-	-	540	-	790	166/172	540/545	718	922	-	-	545	-
B-180/1	-	-	-	-	-	545	-	-	-	-	-	-	-	-	-	-
B-200	-	-	450	501	-	-	820	463	-	-	620/820	1025	-	-	-	-
B-224	-	-	-	-	822	-	-	467	-	550/752	922	1128	-	-	-	-
B-228	-	-	500	561/562	-	-	-	-	-	-	-	-	-	-	-	-
B-250/1	-	-	-	-	-	-	-	571/640 645/650	-	-	-	1231	-	-	-	-
B-250/2	-	-	-	-	-	-	-	-	-	760	-	-	-	-	-	-
B-250/3	-	-	-	-	925	-	-	-	-	-	1025	-	-	-	-	-
B-250/4	-	-	-	-	-	-	1428	-	-	-	-	-	-	-	-	-
B-250/5	-	-	560	631/632	-	-	-	980/1080	-	-	-	-	-	-	-	-
B-280/1	-	-	-	-	-	-	-	852	-	-	-	1435/1640	-	-	-	-

	Applicable to models (INLET)														Applicable to models (IMPULSION)	
	CASB CASB-X	CMRS CMRS-X	CAST	CAB	CRL	CMAT CMA	CB	CAS	CA	CAM	CMP	CMT	CBP	CMR	CMAT CMA	CA
B-280/2	-	-	-	-	1028	-	-	-	-	-	1128	-	-	-	-	-
B-280/3	350	-	630	711/712	-	-	-	990/1090	-	-	-	-	-	-	-	-
B-280/4	-	-	-	-	-	-	-	-	-	980	-	-	-	-	-	-
B-315/1	-	-	-	-	-	-	1733	-	-	-	-	-	-	-	-	-
B-315/2	-	-	-	-	-	-	-	-	-	880	-	-	-	-	-	-
B-315/3	-	-	-	-	-	-	-	-	-	-	-	-	-	1031	-	-
B-315/4	-	-	-	-	1031	-	-	-	-	-	1231	-	-	-	-	-
B-315/6	400	-	710	801/802	-	-	-	-	-	-	-	-	-	-	-	-
B-355/1	-	-	-	-	-	-	-	-	-	-	-	-	-	1135	-	-
B-355/2	-	-	-	-	-	-	2240	863	-	-	-	-	-	-	-	-
B-355/3	-	-	-	-	1135	-	-	856	-	-	1435	1845	-	-	-	-
B-355/4	450	350	800	901/902	-	-	-	1250/A	-	-	-	-	-	-	-	-
B-400/1	-	-	-	-	1240	-	-	-	-	-	1640	-	-	-	-	-
B-400/2	-	-	-	-	-	-	-	-	-	-	-	-	-	1240	-	-
B-400/3	-	-	-	-	-	-	-	971	-	-	-	2050	-	-	-	-
B-400/4	500	400	900	-	-	-	-	1456/A	-	-	-	-	-	-	-	-
B-450/1	-	-	-	-	1445	-	-	-	-	-	1845	-	-	-	-	-
B-450/2	-	-	-	-	-	-	-	-	-	-	-	-	-	1445	-	-
B-450/3	-	-	-	-	-	-	-	-	-	-	-	-	1445	-	-	-
B-450/4	560	450	1000	-	-	-	-	-	-	-	-	-	-	-	-	-
B-500/1	-	-	-	-	1650	-	-	-	-	-	2050	-	-	-	-	-
B-500/2	-	-	-	-	-	-	-	-	-	-	-	-	-	1650	-	-
B-500/3	-	-	-	-	-	-	-	-	-	-	-	-	1650	-	-	-
B-500/4	-	-	-	-	-	-	-	-	-	-	-	-	-	-	-	-
B-500/5	630	500	-	-	-	-	-	-	-	-	-	-	-	-	-	-
B-560/1	-	-	-	-	-	-	-	-	-	-	-	-	1856 / 1556	-	-	-
B-560/2	-	-	-	-	-	-	-	-	-	-	-	-	-	1856	-	-
B-560/3	-	-	-	-	-	-	-	1663/A	-	-	-	-	-	-	-	-
B-560/4	710	560	-	-	-	-	-	-	-	-	-	-	-	-	-	-
B-560/5	-	-	-	-	1856	-	-	-	-	-	-	-	-	-	-	-
B-630/1	-	-	-	-	-	-	-	-	-	-	2563	-	-	-	-	-
B-630/2	-	-	-	-	-	-	-	-	-	-	-	-	-	2063	-	-
B-630/3	-	-	-	-	-	-	-	-	-	-	-	-	-	-	-	-
B-630/4	-	-	-	-	-	-	-	1671/A 2071/A	-	-	-	-	-	-	-	-
B-630/5	800	630	-	-	-	-	-	-	-	-	-	-	-	-	-	-
B-710/1	-	-	-	-	-	-	-	-	-	-	-	-	-	2271	-	-
B-710/2	-	-	-	-	-	-	-	-	-	-	-	-	-	-	-	-
B-710/3	900	710	-	-	-	-	-	2080/A	-	-	-	-	-	-	-	-
B-800	1000	800	-	-	-	-	-	-	-	-	-	-	-	2380	-	-
B-900/1	1120	900	-	-	-	-	-	-	-	-	-	-	-	2590	-	-
B-1000/1	1250	1000	-	-	-	-	-	-	-	-	-	-	-	28100	-	-
B-1130	1400	1120	-	-	-	-	-	-	-	-	-	-	-	-	-	-
B-1260	1600	1250	-	-	-	-	-	-	-	-	-	-	-	-	-	-
B-1410	-	1400	-	-	-	-	-	-	-	-	-	-	-	-	-	-
B-1610	-	1600	-	-	-	-	-	-	-	-	-	-	-	-	-	-

CENTRIFUGAL FANS AND IN-LINE DUCT EXTRACTOR FANS



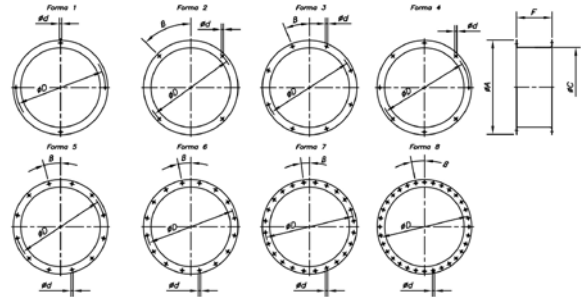
BD

Double coupling flange for centrifugal fans

Characteristics:

- Fitted to the inlet nozzle
- Facilitates installation in duct with flange

	ØA	ØC	ØD	Ød	F	β	Shape
BD-112	160	112	137	7	60	45°	2
BD-140	190	140	165	7	80	-	1
BD-160	220	160	185	7	80	45°	2
BD-160	220	160	185	7	80	-	1
BD-180	240	180	205	7	80	11°15'	2
BD-200	260	200	225	7	80	-	1
BD-200	260	200	225	7	80	22°30'	2
BD-224	280	224	254	7	80	-	1
BD-250/1	310	250	280	10	80	45°	2
RPA-250/2	310	250	280	10	80	45°	2
BD-280	350	280	320	10	100	-	4
BD-315/1	390	315	355	10	100	22°30'	3
BD-315/2	390	315	355	10	100	22°30'	3
BD-315/3	390	315	355	10	100	22°30'	3
BD-355/1	430	355	395	10	100	22°30'	3
BD-355/2	430	355	395	10	100	22°30'	3
BD-355/3	430	355	395	10	100	22°30'	3
BD-400/1	480	400	450	12	100	22°30'	3
BD-400/2	480	400	450	12	100	22°30'	3
BD-450/1	530	450	500	12	100	22°30'	3
BD-450/2	530	450	500	12	100	22°30'	3
BD-500/1	590	500	560	12	100	15°	5
BD-500/2	590	500	560	12	100	15°	5
BD-555	640	555	610	10	120	30°	5
BD-560	650	560	620	12	120	15°	5
BD-630/1	720	630	690	12	120	15°	5
BD-630/2	720	630	690	12	120	15°	5
BD-710	800	710	770	12	120	11°15'	6
BD-800	890	800	860	12	140	11°15'	6
BD-900/1	1000	900	958	14	140	11°15'	6
BD-1000/1	1100	1000	1067	14	140	7°30'	7



	ØA	ØC	ØD	Ød	F	β	Shape
BD-185	240	185	219	8	80	45°	3
BD-205	260	205	241	8	80	45°	3
BD-228	280	228	265	8	80	45°	3
BD-255	310	255	292	10	80	45°	3
BD-285	350	285	332	10	100	45°	3
BD-320	390	320	366	12	100	45°	3
BD-360	430	360	405	12	100	45°	3
BD-405	480	405	448	12	100	45°/30°	3;5
BD-455	530	455	497	12	100	30°	5
BD-505	590	505	551	13	100	30°	5
BD-565	650	565	629	13	120	30°	5
BD-635	720	635	698	15	120	30°	5
BD-715	800	715	775	15	120	22°30'	6
BD-805	890	805	861	15	140	22°30'	6
BD-905	1000	905	958	15	140	22°30'	6
BD-1007	1100	1007	1067	15	140	15°	7
BD-1130	1250	1130	1200	15	140	15°	7
BD-1260	1380	1260	1337	15	160	15°	7
BD-1410	1530	1410	1491	13	160	11°15'	8
BD-1700	1820	1700	1770	16	180	11°15'	8

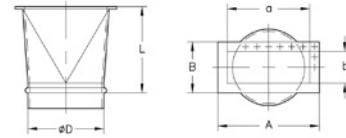
	CB	CMP	TCMP	CMR-X CMR	TCR TCR/R	CRL
BD-112		512				
BD-140		514				
BD-160		616				
BD-180		718				
BD-200	820	620/820	820			
BD-224		922	922			822
BD-250/1		1025	1025			925
RPA-250/2	1428					
BD-280		1128	1128			1028
BD-315/1	1733					
BD-315/2				1031		
BD-315/3		1231	1231			1031
BD-355/1				1135		
BD-355/2	2240					
BD-355/3		1435	1435			1135
BD-400/1		1640	1640			1240
BD-400/2				1240	1240	
BD-450/1		1845	1845			1445
BD-450/2				1445	1445	
BD-500/1		2050	2050			1650
BD-500/2				1650	1650	
BD-555						1856
BD-560				1856	1856	
BD-630/1		2563				
BD-630/2				2063	2063	
BD-710				2271	2271	
BD-800				2380		
BD-900/1				2590		
BD-1000/1				28100		

	CASB-X CASB	CAST	CAB	CMRS-X CMRS
BD-185		400		
BD-205		450	501	
BD-228		500	561/562	
BD-255		560	631/632	
BD-285	350	630	711/712	
BD-320	400	710	801/802	
BD-360	450	800	901/902	350
BD-405	500	900		400
BD-455	560	1000		450
BD-505	630			500
BD-565	710			560
BD-635	800			630
BD-715	900			710
BD-805	1000			800
BD-905	1120			900
BD-1007	1250			1000
BD-1130	1400			1120
BD-1260	1600			1250
BD-1410				1400
BD-1700				1600



BIC Rectangular to circular conversion flange for centrifugal fans

- Characteristics:
- Adapted to outlet nozzle
 - Facilitates installation in circular duct



	L	D	a	b	A	B	Applicable to models
BIC-540	300	180	140	120	224	206	CAM-540
BIC-545	300	180	170	135	255	222	CAM-545
BIC-550	300	224	200	150	296	246	CAM-550
BIC-752	300	224	200	160	296	256	CAM-752
BIC-760	300	250	220	180	316	276	CAM-760
BIC-880	300	315	290	190	360	249	CAM-880
BIC-270	300	270	300	162	370	221	CAM-980
BIC-1080	300	250	200	140	270	210	CAS-1080
BIC-1090	300	280	224	160	294	230	CAS-1090
BIC-1250	450	400	400	280	480	360	CAS-1250/A / CMRS/CMRS-X-400/ CASB/CASB-X-500
BIC-1456	450	450	450	315	530	395	CAS-1456/A / CMRS/CMRS-X-450 / CASB/CASB-X-560
BIC-1663	450	500	500	355	580	435	CAS-1663/A CMRS/CMRS-X-500 CASB/CASB-X-630
BIC-1671	450	630	560	400	660	500	CAS-1671/A-2071/A
BIC-2080	450	710	630	450	730	550	CAS-2080/A
BIC-242	200	100	95	60	155	120	CAS-242
BIC-248	200	112	105	66	165	126	CAS-248
BIC-254	200	125	115	75	175	135	CAS-254
BIC-260	200	150	125	85	185	145	CAS-260
BIC-463	200	200	125	85	185	145	CAS-463
BIC-467	250	224	130	90	190	150	CAS-467
BIC-571	250	250	145	95	205	155	CAS-571
BIC-640	250	250	200	125	260	185	CAS-640
BIC-645	250	250	224	140	284	200	CAS-645
BIC-650	250	250	250	160	310	220	CAS-650
BIC-790	250	180	112	80	172	140	CAS-790
BIC-852	250	280	280	180	340	240	CAS-852
BIC-856	280	355	280	180	340	240	CAS-856
BIC-863	280	355	315	200	375	260	CAS-863
BIC-971	280	400	355	224	425	294	CAS-971
BIC-980	300	250	200	140	270	210	CAS-980
BIC-990	300	280	224	160	294	230	CAS-990
BIC-285	300	280	288	205	368	285	CASB/CASB-X-350
BIC-320	300	320	322	229	402	309	CASB/CASB-X-400
BIC-450	300	450	404	288	484	368	CAST-1000
BIC-185	300	180	166	117	236	187	CAST-400
BIC-200	300	200	185	131	255	201	CAST-450 / CAB-501
BIC-230	300	230	207	148	277	218	CAST-500 CAB-561 / CAB-562
BIC-250	300	250	231	166	301	236	CAST-560 / CAB-632
BIC-280	300	280	258	185	328	255	CAST-630 / CAB-711 / CAB-712
BIC-325	300	320	288	205	368	285	CAST-710 / CAB-801 / CAB-802
BIC-360	300	360	322	229	402	309	CAST-800 / CAB-901 / CAB-902
BIC-400	300	400	361	256	441	336	CAST-900
BIC-1428	300	250	286	202	350	260	CB-1428
BIC-1733	300	280	339	240	415	315	CB-1733
BIC-2240	450	355	400	300	478	372	CB-2240
BIC-820-CB	300	200	160	130	213	184	CB-820
BIC-1445/E	450	450	450	355	538	445	CBP-1445
BIC-1650/E	450	500	500	400	590	490	CBP-1650

	L	D	a	b	A	B	Applicable to models
BIC-1856/E	450	560	560	450	660	550	CBP-1856 / 1556
BIC-1025	300	250	250	165	314	229	CMP-1025 / CRL-925
BIC-1128	300	280	300	180	364	244	CMP-1128 / CRL-1028
BIC-1231	300	315	320	200	384	266	CMP-1231 / CRL-1031
BIC-1435	300	355	280	228	344	294	CMP-1435 / CRL-1135
BIC-1640	300	400	320	250	404	336	CMP-1640 / CRL-1240
BIC-1845	450	450	360	284	444	370	CMP-1845 / CRL-1445
BIC-2050	450	500	450	315	545	412	CMP-2050 / CRL-1650
BIC-2563	450	630	600	410	706	512	CMP-2563
BIC-512	300	112	86	75	118	104	CMP-512
BIC-514	300	140	107	83	147	122	CMP-514
BIC-616	300	160	125	103	172	153	CMP-616
BIC-620	300	200	100	105	153	159	CMP-620
BIC-718	300	180	146	115	192	169	CMP-718
BIC-820	300	200	156	160	213	184	CMP-820
BIC-922	300	224	216	140	282	204	CMP-922 / CRL-822
BIC-1031	300	315	315	250	385	320	CMP-1031
BIC-1135	450	355	355	280	425	350	CMR-1135
BIC-1240	450	400	400	315	480	395	CMR-1240
BIC-1445	450	450	450	355	540	445	CMR-1445
BIC-1650	450	500	500	400	590	490	CMR-1650
BIC-1856	450	560	560	450	660	550	CMR-1856
BIC-2063	450	630	630	500	750	620	CMR-2063
BIC-2271	450	710	710	560	840	690	CMR-2271
BIC-2380	600	800	800	560	920	680	CMR-2380 / CMRS/ CMRS-X-800 / CASB-CASB-X-1000
BIC-2590	600	900	900	630	1020	750	CMR-2590 / CMRS/ CMRS-X-900 / CASB-CASB-X-1120
BIC-28100	600	1000	1000	710	1120	830	CMR-28100 / CMRS/ CMRS-X-1000 / CASB-CASB-X-1250
BIC-1120	600	1120	1130	801	1270	941	CMRS/CMRS-X-1120 / CASB/CASB-X-1400
BIC-1200	600	1250	1267	898	1407	1038	CMRS/CMRS-X-1250 / CASB-X-1600
BIC-1400	600	1400	1421	1007	1561	1147	CMRS/CMRS-X-1400
BIC-355	300	350	361	256	441	336	CMRS/CMRS-X-350 / CASB/CASB-X-450
BIC-560	450	560	569	404	669	504	CMRS/CMRS-X-560 / CASB/CASB-X-710
BIC-635	450	630	638	453	738	553	CMRS/CMRS-X-630 / CASB/CASB-X-800
BIC-710	450	710	715	507	815	607	CMRS/CMRS-X-710 / CASB/CASB-X-900
BIC-1600	600	1600	1593	1130	1753	1290	CMRS-X-1600
BIC-1025-T	300	200	250	165	314	229	CMT-1025
BIC-1128-T	300	224	300	180	364	244	CMT-1128
BIC-1231-T	300	250	320	200	384	266	CMT-1231
BIC-1435-T	300	280	280	228	344	294	CMT-1435
BIC-1640-T	300	280	320	250	404	336	CMT-1640
BIC-1845-T	450	355	360	284	444	370	CMT-1845
BIC-2050-T	450	400	450	315	545	412	CMT-2050
BIC-922-T	300	180	216	140	282	204	CMT-922
BIC-1840	150	370	273	210	353	303	CPV-1840
BIC-2045	190	400	330	270	420	360	CPV-2045
BIC-565	450	560	560	355	660	457	CRL-1856

CENTRIFUGAL FANS AND IN-LINE DUCT EXTRACTOR FANS



PSB Low pressure centrifugal fans support feet unit

- Characteristics:
- Set of 2 units, facilitating anchoring to flat surfaces.

Model	Applicable to models
PSB-1428	CB-1428
PSB-1733	CB-1733
PSB-19	CBD-1919, CBX-1919

Model	Applicable to models
PSB-25	CBD-2520, CBD-2525, CBX-2525
PSB-28	CBD-2821, CBD-2828, CBX-2828
PSB-33	CBD-3325, CBD-3333, CBX-3333

Model	Applicable to models
PSB-39	CBD-3939, CBX-3939
PSB-47	CBX-4747



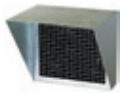
SM Motor support with belt tensioner for low pressure centrifugal fans

- Characteristics:
- Set of 2 units for mounting the motor on the fan casing

Model	Applicable to models
SM-19	CBX-1919
SM-25	CBX-2525

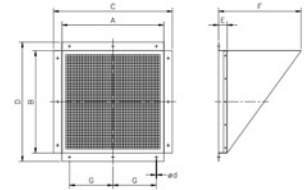
Model	Applicable to models
SM-28	CBX-2828
SM-33	CBX-3333

Model	Applicable to models
SM-39	CBX-3939
SM-47	CBX-4747



VIS Impulsion visors with protective grilles

- Characteristics:
- Prevents objects and water from entering the fan



	CJBD	CJBX	CJTX-C	CJBDT		CJBD/AL	CJBX/AL
VIS-7/7	1919	7/7	7/7	-	VIS-7/7-P	1919	-
VIS-9/9	2525	9/9	9/9	9/9	VIS-9/9-P	2525	9/9
VIS-10/10	2828	10/10	10/10	10/10	VIS-10/10-P	2828	10/10
VIS-12/12	3333	12/12	12/12	12/12	VIS-12/12-P	3333	12/12
VIS-15/15	3939	15/15	15/15	15/15	VIS-15/15-P	3939	15/15
VIS-18/18	-	18/18	18/18	18/18	VIS-18/18-P	-	18/18
VIS-20/20	-	20/20	20/20	20/20	VIS-20/20-P	-	20/20
VIS-22/22	-	22/22	22/22	22/22	VIS-22/22-P	-	22/22
VIS-25/25	-	25/25	25/25	-	VIS-25/25-P	-	25/25
VIS-30/28	-	30/28	30/28	-	VIS-30/28-P	-	30/28

		A	B	C	D	E	F	G	Ød
VIS-7/7	VIS-7/7-P	267	241	309	286	50	200	-	4xØ5
VIS-9/9	VIS-9/9-P	330	292	375	340	50	250	-	4xØ5
VIS-10/10	VIS-10/10-P	364	325	404	366	50	250	125	8xØ5
VIS-12/12	VIS-12/12-P	410	380	465	420	50	300	150	8xØ5
VIS-15/15	VIS-15/15-P	505	440	573	501	50	350	200	8xØ5
VIS-18/18	VIS-18/18-P	571	525	642	570	50	350	230	8xØ5
VIS-20/20	VIS-20/20-P	662	662	741	741	50	450	270	8xØ7
VIS-22/22	VIS-22/22-P	750	715	795	835	50	450	300	12xØ7
VIS-25/25	VIS-25/25-P	805	820	905	936	50	450	360	12xØ7
VIS-30/28	VIS-30/28-P	920	960	1030	1072	50	450	425	12xØ7

	CJBR/CJS
VIS-100	1240/1850
VIS-200	2056/2263-6T
VIS-300	2263-4T/2071-6T-3
VIS-400	2071-4T/6T-5.5/2880

	A	B	C	D	E	F	G	Ød
VIS-100	600	600	698	698	-	485	-	-
VIS-200	725	725	823	823	-	576	-	-
VIS-300	800	800	898	898	-	630	-	-
VIS-400	860	860	958	958	-	674	-	-



ACE Elastic coupling to attenuate vibrations

- Characteristics:
- Used between the fan nozzle and duct to prevent the transmission of vibrations.
 - It is advisable to add the B accessory at the inlet and BIC at the impulsion, except in CPV models.

Applicable to models (INLET)

	CMAT CMA	CB	CAS	CA	CAM	CMP	CMT	CBP	CMR	CMRS CMRS-X	CASB CASB-X	CAST	CAB	CRL
ACE-52	-	-	-	-	-	-	-	-	-	-	-	-	-	-
ACE-63	-	-	-	-	-	-	-	-	-	-	-	-	-	-
ACE-80	218/324	-	-	-	-	-	-	-	-	-	-	-	-	-
ACE-100	325	-	242	234/142	-	-	-	-	-	-	-	-	-	-
ACE-112	426	-	248	148	-	512	-	-	-	-	-	-	-	-
ACE-125	527/528	-	254	154	-	-	-	-	-	-	-	-	-	-
ACE-140	-	-	-	-	-	514	-	-	-	-	-	-	-	-
ACE-150	531	-	260	160	-	-	-	-	-	-	-	-	-	-
ACE-160	-	-	-	-	-	616	-	-	-	-	-	-	-	-
ACE-180	540/545	-	790	166/172	540/545	718	922	-	-	-	-	400	-	-
ACE-200	-	820	463	-	-	620/820	1025	-	-	-	-	450	501	-
ACE-224	-	-	467	-	550/752	922	1128	-	-	-	-	500	561/562	822
ACE-250	-	1428	571/640 645/650 980/1080	-	760	1025	1231	-	-	-	-	560	631/632	925
ACE-280	-	-	852/990 1090	-	980	1128	1435 1640	-	-	-	350	630	711/712	1028
ACE-315	-	1733	-	-	880	1231	-	-	1031	-	400	710	801/802	1031
ACE-355	-	2240	856/863 1250/A	-	-	1435	1845	-	1135	350	450	800	901/902	1135

Applicable to models (INLET)

	CMAT CMA	CB	CAS	CA	CAM	CMP	CMT	CBP	CMR	CMRS CMRS-X	CASB CASB-X	CAST	CAB	CRL
ACE-400	-	-	971 1456/A	-	-	1640	2050	-	1240	400	500	900	-	1240
ACE-450	-	-	-	-	-	1845	-	1445	1445	450	560	1000	-	1445
ACE-500	-	-	-	-	-	2050	-	1650	1650	500	630	-	-	1650
ACE-560	-	-	1663/A	-	-	-	-	1856 / 1556	1856	560	710	-	-	1856
ACE-630	-	-	1671/A 2071/A	-	-	2563	-	-	2063	630	800	-	-	-
ACE-710	-	-	2080/A	-	-	-	-	-	2271	710	900	-	-	-
ACE-800	-	-	-	-	-	-	-	-	2380	800	1000	-	-	-
ACE-900	-	-	-	-	-	-	-	-	2590	900	1120	-	-	-
ACE-1000	-	-	-	-	-	-	-	-	28100	1000	1250	-	-	-
ACE-1130	-	-	-	-	-	-	-	-	-	1120	1400	-	-	-
ACE-1260	-	-	-	-	-	-	-	-	-	1250	1600	-	-	-
ACE-1410	-	-	-	-	-	-	-	-	-	1400	-	-	-	-
ACE-1610	-	-	-	-	-	-	-	-	-	1600	-	-	-	-

Applicable to models (IMPULSION)

	CMAT CMA	CB	CAS	CA	CAM	CMP	CMT	CMR	CMRS CMRS-X	CASB CASB-X	CAST	CAB	CRL
ACE-52	-	-	-	234	-	-	-	-	-	-	-	-	-
ACE-63	218/324	-	-	142	-	-	-	-	-	-	-	-	-
ACE-80	325	-	-	148/154 160/166	-	-	-	-	-	-	-	-	-
ACE-100	426/527	-	242	172	-	-	-	-	-	-	-	-	-
ACE-112	-	-	248	-	-	512	-	-	-	-	-	-	-
ACE-125	528	-	254	-	-	-	-	-	-	-	-	-	-
ACE-140	-	-	-	-	-	514	-	-	-	-	-	-	-
ACE-150	531/540	-	260	-	-	-	-	-	-	-	-	-	-
ACE-160	-	-	-	-	-	616	-	-	-	-	-	-	-
ACE-180	545	-	790	-	540/545	718	922	-	-	-	400	-	-
ACE-200	-	820	463	-	-	620/820	1025	-	-	-	450	501	-
ACE-224	-	-	467	-	550/752	922	1128	-	-	-	500	561/562	822
ACE-250	-	1428	570/640 645/650 980/1080	-	760	1025	1231	-	-	-	560	631/632	925
ACE-280	-	1733	852/990 1090	-	980	1128	1435 1640	-	-	350	630	711/712	1028
ACE-315	-	-	-	-	880	1231	-	1031	-	400	710	801/802	1031
ACE-355	-	2240	856/863	-	-	1435	1845	1135	350	450	800	901/902	1135
ACE-400	-	-	971 1250/A	-	-	1640	2050	1240	400	500	900	-	1240
ACE-450	-	-	1456/A	-	-	1845	-	1445	450	560	1000	-	1445
ACE-500	-	-	1663/A	-	-	2050	-	1650	500	630	-	-	1650
ACE-560	-	-	-	-	-	-	-	1856	560	710	-	-	1856
ACE-630	-	-	1671/A 2071/A	-	-	2563	-	2063	630	800	-	-	-
ACE-710	-	-	2080/A	-	-	-	-	2271	710	900	-	-	-
ACE-800	-	-	-	-	-	-	-	2380	800	1000	-	-	-
ACE-900	-	-	-	-	-	-	-	2590	900	1120	-	-	-
ACE-1000	-	-	-	-	-	-	-	28100	1000	1250	-	-	-
ACE-1130	-	-	-	-	-	-	-	-	1120	1400	-	-	-
ACE-1260	-	-	-	-	-	-	-	-	1250	1600	-	-	-
ACE-1410	-	-	-	-	-	-	-	-	1400	-	-	-	-
ACE-1610	-	-	-	-	-	-	-	-	1600	-	-	-	-



REG

Manual regulation chamber

Characteristics:

- Their construction allows them to be built into duct systems for flow rate regulation purposes.

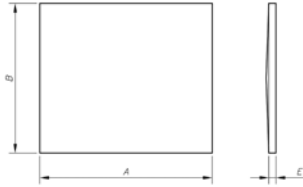
Model	L	ØD*	Model	L	ØD*	Model	L	ØD*	Model	L	ØD*
REG-80	100	80	REG-150	100	150	REG-250	100	250	REG-450	150	450
REG-100	100	100	REG-160	100	160	REG-280	100	280	REG-500	150	500
REG-112	100	112	REG-180	100	180	REG-315	100	315	REG-560	150	560
REG-125	100	125	REG-200	100	200	REG-355	100	355	REG-630	250	630
REG-140	100	140	REG-224	100	224	REG-400	100	400	REG-800	250	800



TEJ

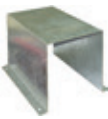
Cowls to protect from adverse weather conditions

- Characteristics:
- Prevents water from entering fan units installed outdoors.



	CJBD		CJBD/AL		CJBX		
	A	B	A	B	A	B	E
TEJ-1919	480	530	-	-	-	-	30
TEJ-2525	530	580	-	-	-	-	30
TEJ-2828	580	630	-	-	-	-	30
TEJ-3333	680	730	-	-	-	-	30
TEJ-3939	830	830	-	-	-	-	30
TEJ-1919-AL	-	-	470	470	-	-	30
TEJ-2525-AL	-	-	530	530	-	-	30
TEJ-2828-AL	-	-	585	585	-	-	30
TEJ-3333-AL	-	-	660	660	-	-	30
TEJ-3939-AL	-	-	765	765	-	-	30

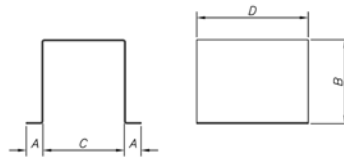
	CJBD		CJBD/AL		CJBX		
	A	B	A	B	A	B	E
TEJ-7/7	-	-	-	-	680	590	30
TEJ-9/9	-	-	-	-	730	550	30
TEJ-10/10	-	-	-	-	780	610	30
TEJ-12/12	-	-	-	-	880	680	30
TEJ-15/15	-	-	-	-	1030	785	30
TEJ-18/18	-	-	-	-	1230	1030	30
TEJ-20/20	-	-	-	-	1475	1270	30
TEJ-22/22	-	-	-	-	1610	1330	30
TEJ-25/25	-	-	-	-	1710	1530	30
TEJ-30/28	-	-	-	-	1990	1740	30



CM

Motor cover for outdoor operations

- Characteristics:
- Prevents water from entering motors installed outdoors.



Applicable to motors

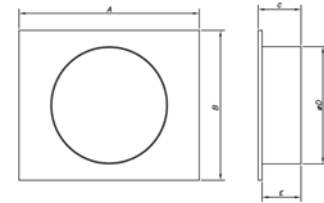
	A	B	C	D	HP
CM-1	15	260	200	300	0.25 - 1
CM-2	15	260	240	300	1.5 - 2
CM-5.5	15	300	270	330	3 - 5.5
CM-10	15	380	320	450	7.5 - 10
CM-20	15	440	350	530	15 - 20
CM-30	15	440	360	550	over 20



TAC

Circular coupling cover

- Characteristics:
- For conversion of rectangular inlet or impulsion circulation in CJBD/CJBX and CJBR.



	A	B	C	ØD	E	CJBD	CJBX
TAC-7/7-Asp.	366	406	180	200	150	1919-Asp.	7/7-Asp.
TAC-9/9-Asp.	428	456	180	250	150	2525-Asp.	9/9-Asp.
TAC-10/10-Asp.	481	506	180	280	150	2828-Asp.	10/10-Asp.
TAC-12/12-Asp.	556	606	180	315	150	3333-Asp.	12/12-Asp.
TAC-15/15-Asp.	661	706	180	400	150	3939-Asp.	15/15-Asp.
TAC-18/18-Asp.	781	906	180	500	150	-	18/18-Asp.
TAC-20/20-Asp.	1081	1006	180	560	150	-	20/20-Asp.
TAC-22/22-Asp.	1156	1156	180	630	150	-	22/22-Asp.
TAC-25/25-Asp.	1281	1356	180	710	150	-	25/25-Asp.
TAC-30/28-Asp.	1506	1556	180	800	150	-	30/28-Asp.
TAC-7/7-Imp.	232	210	180	200	150	1919-Imp.	7/7-Imp.
TAC-9/9-Imp.	302	265	180	250	150	2525-Imp.	9/9-Imp.
TAC-10/10-Imp.	328	294	180	280	150	2828-Imp.	10/10-Imp.
TAC-12/12-Imp.	389	347	180	315	150	3333-Imp.	12/12-Imp.

	A	B	C	ØD	E	CJBD	CJBX
TAC-15/15-Imp.	475	406	180	400	150	3939-Imp.	15/15-Imp.
TAC-18/18-Imp.	542	484	180	450	150	-	18/18-Imp.
TAC-20/20-Imp.	605	605	180	560	150	-	20/20-Imp.
TAC-22/22-Imp.	658	695	180	630	150	-	22/22-Imp.
TAC-25/25-Imp.	767	795	180	710	150	-	25/25-Imp.
TAC-30/28-Imp.	890	995	180	800	150	-	30/28-Imp.

	A	B	C	ØD	E	CJBR
TAC-100	698	698	80	400	50	1240/1850-Imp.
TAC-200	823	823	80	560	50	2056/2263-6T-Imp.
TAC-300	898	898	80	630	50	2263-4T/2071-6T-3-Imp.
TAC-400	958	958	80	710	50	2071-4T/6T-5.5/2880-Imp.



VOL

Wrap-around casing for furnace recirculation ventilation

- Characteristics:
- Wrap-around fan casing designed for installation in furnaces.

Applicable to models

	CMRH	CMSH
VOL-1445	1445	1445
VOL-1650	1650	1650
VOL-1856	1856	1856
VOL-2063	2063	2063
VOL-2271	2271	2271
VOL-2380	2380	2380



ARO

Inlet nozzle for furnace recirculation fans

- Characteristics:
- Inlet nozzle for CMRH fan, designed for installation in VOL casing.

ARO-1445	CMRH-1445	ARO-2063	CMRH-2063
ARO-1650	CMRH-1650	ARO-2271	CMRH-2271
ARO-1856	CMRH-1856	ARO-2380	CMRH-2380



CJACUS

Acoustic boxes for centrifugal fans

- Characteristics:
- Ventilation box made of galvanised sheet steel with acoustic insulation.
 - Support feet and silent-blocks included.
 - CJACUS/C: With inlet and impulsion connection to the exterior through ducts. Motor cooling grille included.
 - CJACUS/L: With free inlet through a grille built into the box and impulsion connection to the exterior.

	CAS	CA	CAM
CJACUS-0	640	154	540
CJACUS-1	254/645	160	545
CJACUS-2	260/463/650	166	550/752
CJACUS-3	467/852/856	172	-
CJACUS-4	571/863	-	760
CJACUS-5	971	-	880

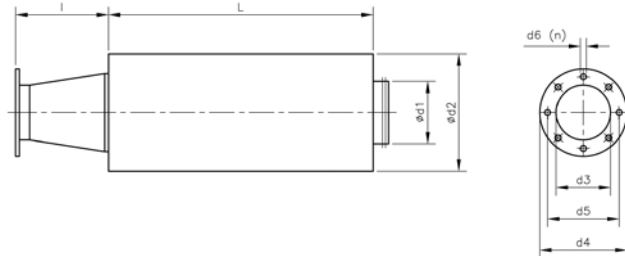


S

Silencers for coupling to inlet or impulsion

Characteristics:

- Circular or rectangular silencers for coupling to inlet or impulsion of centrifugal or axial fans.



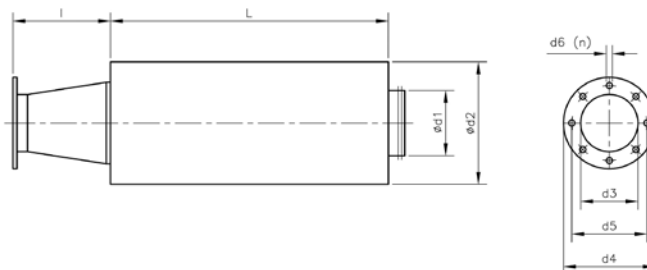
INLET

	L	d1	d2	l	d3	d4	d5	d6	n	Kg	Substitute shock absorption (dB) in octave bands (Hz)						Applicable
											125	250	500	1000	2000	4000	
S-80/600/218-A	600	80	280	103	80	113	95	6	4x90°	6	17	26	29	53	53	45	CMA-218
S-100/600/324-A	600	100	300	108	80	130	112	6	4x90°	8	13	23	34	46	52	40	CMA-324
S-125/600/325-A	600	125	315	114	94	140	122	7	4x90°	8	11	20	30	40	45	30	CMA-325
S-150/600/426-A	600	150	355	132	117	155	132	7	4x90°	9	10	19	29	37	42	25	CMA-426
S-150/600/527-A	600	150	355	114	125	170	147	7	4x90°	9	10	19	29	37	42	25	CMA-527
S-160/600/528-A	600	160	355	107	135	190	162	7	4x90°	9	9	16	28	33	37	21	CMA-528
S-200/600/531-A	600	200	400	135	160	215	180	7	4x90°	12	6	12	22	28	28	18	CMA-531
S-250/600/540-A	600	250	450	204	170	240	205	11	4x90°	14	5	12	20	24	23	14	CMA-540
S-315/900/545-A	900	315	500	266	180	255	220	11	4x90°	22	4	12	21	26	19	15	CMA-545
S-100/600/242-A	600	100	300	115	100	150	130	10	8x45°	8	13	23	34	46	52	40	CAS/CAST-242
S-150/900/248-A	900	150	355	200	112	160	140	10	8x45°	11	10	27	37	51	53	37	CAS/CAST-248
S-160/900/254-A	900	160	355	200	125	180	155	10	8x45°	12	11	24	35	49	51	27	CAS/CAST-254
S-200/900/260-A	900	200	400	200	150	210	175	10	8x45°	17	8	18	28	40	37	23	CAS/CAST-260
S-200/900/463-A	900	200	400	200	200	260	240	10	8x45°	17	8	18	28	40	37	23	CAS/CAST-463
S-250/900/467-A	900	250	450	200	224	280	258	10	8x45°	22	6	17	30	34	28	17	CAS/CAST-467
S-250/900/571-A	900	250	450	200	250	310	275	10	8x45°	22	6	17	30	34	28	17	CAS/CAST-571
S-250/600/640-A	600	250	450	200	250	310	275	10	8x45°	14	5	12	20	24	23	14	CAS/CAST-640
S-315/900/645-A	900	315	500	200	250	310	275	10	8x45°	22	4	12	21	26	19	15	CAS/CAST-645
S-355/900/650-A	900	355	560	200	250	310	275	10	8x45°	25	4	12	20	24	18	14	CAS/CAST-650
S-180/900/680-A	900	180	380	100	165	235	200	11	8x45°	14	9	21	31	44	44	25	CAS-680
S-180/900/790-A	900	180	380	100	185	235	219	11	8x45°	14	9	21	31	44	44	25	CAS-790
S-355/900/852-A	900	355	560	200	280	350	310	10	8x45°	25	4	12	20	24	18	14	CAS/CAST-852
S-400/1200/856-A	1200	400	600	200	355	430	395	10	8x45°	38	7	16	22	29	22	15	CAS/CAST-856
S-400/1200/863-A	1200	400	600	200	355	430	410	10	8x45°	38	7	16	22	29	22	15	CAS/CAST-863
S-450/1200/971-A	1200	450	630	200	400	480	450	12	8x45°	42	6	15	21	25	20	14	CAS/CAST-971
S-250/1200/980-A	1200	250	450	100	255	325	292	11	8x45°	28	9	22	35	39	33	20	CAS-980
S-280/1200/990-A	1200	280	450	100	286	366	332	11	8x45°	32	8	18	31	38	28	19	CAS-990
S-250/1200/1080-A	1200	250	450	100	255	325	292	11	8x45°	28	9	22	35	39	33	20	CAS-1080
S-280/1200/1090-A	1200	280	450	100	286	366	332	11	8x45°	32	8	18	31	38	28	19	CAS-1090
S-500/900/1250-A	900	500	710	300	361	441	405	11.5	8x45°	56	6	13	18	15	15	12	CAS/CAST-1250/A
S-560/900/1456-A	900	560	750	450	406	486	448	11.5	12x30°	65	5	8	13	11	12	8	CAS/CAST-1456/A
S-630/1200/1663-A	1200	630	800	450	568	668	629	11.5	16x22°30'	70	4	8	11	9	9	8	CAS/CAST-1663/A
S-80/600/234-A	600	80	280	108	98	130	115	5	6x60°	6	17	26	29	53	53	45	CA-234
S-100/600/142-A	600	100	300	108	90	160	130	9	4x90°	8	13	23	34	46	52	40	CA-142
S-150/900/148-A	900	150	355	149	100	170	140	9	4x90°	11	10	27	37	51	53	37	CA-148
S-160/900/154-A	900	160	355	146	115	183	155	11	4x90°	12	11	24	35	49	51	27	CA-154
S-200/900/160-A	900	200	400	183	130	230	192	11	4x90°	17	8	18	28	40	37	23	CA-160
S-200/900/166-A	900	200	400	162	140	230	200	11	4x90°	17	8	18	28	40	37	23	CA-166
S-200/900/172-A	900	200	400	149	148	230	200	11	4x90°	17	8	18	28	40	37	23	CA-172
S-250/600/540-C-A	600	250	450	204	170	240	205	11	4x90°	14	5	12	20	24	23	14	CAM-540
S-315/900/545-C-A	900	315	500	266	165	235	205	11	4x90°	22	4	12	21	26	19	15	CAM-545
S-355/900/550-A	900	355	560	293	210	278	258	9	6x60°	25	4	12	20	24	18	14	CAM-550
S-355/900/752-A	900	355	560	260	220	278	258	9	6x60°	25	4	12	20	24	18	14	CAM-752
S-355/1200/760-A	1200	355	560	224	246	322	280	10	6x60°	32	7	15	25	32	23	17	CAM-760
S-500/1200/880-A	1200	500	710	360	290	360	330	10	12x30°	32	7	15	25	32	23	17	CAM-880
S-315/600/922-A	600	315	500	238	220	278	256	9	8x45°	16	4	8	14	17	14	12	CMP/TCMP-922
S-355/900/1025-A	900	355	560	224	245	305	282	9	8x45°	25	4	12	20	24	23	14	CMP/TCMP-1025

CENTRIFUGAL FANS AND IN-LINE DUCT EXTRACTOR FANS

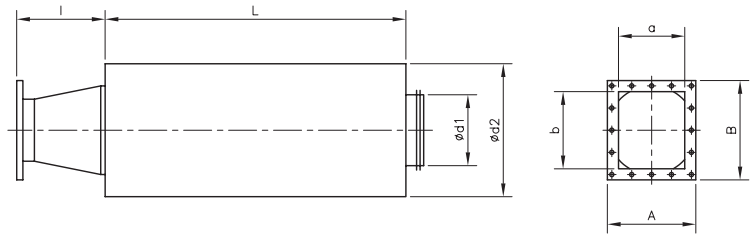
INLET

	L	d1	d2	l	d3	d4	d5	d6	n	Kg	Substitute shock absorption (dB) in octave bands (Hz)					Applicable	
											125	250	500	1000	2000		4000
S-400/900/1128-A	900	400	600	250	270	348	320	9	8x45°	29	5	12	19	22	18	13	CMP/TCMP-1128
S-450/900/1231-A	900	450	630	291	295	382	354	9	8x45°	32	5	12	18	20	16	12	CMP/TCMP-1231
S-500/900/1435-A	900	500	710	284	345	422	394	9	8x45°	35	4	11	18	16	14	11	CMP/TCMP-1435
S-500/900/1640-A	900	500	710	227	395	464	438	9	8x45°	35	4	11	18	16	14	11	CMP/TCMP-1640
S-560/900/1845-A	900	560	750	241	445	515	485	9	8x45°	41	4	10	16	14	13	10	CMP/TCMP-1845
S-630/1200/2050-A	1200	630	800	269	495	565	535	11	8x45°	56	6	13	18	15	15	12	CMP/TCMP-2050
S-800/1200/2563-A	1200	800	1000	370	595	710	675	14	8x45°	80	5	9	13	11	11	9	CMP/TCMP-2563
S-400/900/1031-A	900	400	600	202	320	383	356	9	8x45°	29	5	12	19	22	18	13	CMR/TCR-R/TCR-1031
S-450/900/1135-A	900	450	630	216	345	425	398	9	8x45°	32	5	12	18	20	16	12	CMR/TCR-R/TCR-1135
S-500/900/1240-A	900	500	710	227	395	472	444	11	8x45°	35	4	11	18	16	14	11	CMR/TCR-R/TCR-1240
S-560/900/1445-A	900	560	750	241	445	522	494	11	8x45°	41	4	10	16	14	13	10	CMR/TCR-R/TCR-1445
S-630/1200/1650-A	1200	630	800	269	495	582	555	11	8x45°	56	6	13	18	15	15	12	CMR/TCR-R/TCR-1650
S-710/900/1856-A	900	710	900	301	555	645	615	11	8x45°	65	5	8	13	11	12	8	CMR/TCR-R/TCR-1856
S-800/900/2063-A	900	800	1000	329	625	720	688	11	8x45°	70	4	8	11	9	9	8	CMR/TCR-R/TCR-2063
S-800/1200/2271-A	1200	800	1000	224	705	800	768	13	8x45°	80	5	9	13	11	11	9	CMR/TCR-R/TCR-2271
S-800/1200/2380-A	1200	800	1000	224	800	906	861	13	16x22°	90	5	9	13	11	11	9	CMR/TCR-R/TCR / CMR-X-2380



IMPULSION (Circular flange)

	L	d1	d2	l	d3	d4	d5	d6	n	Kg	Substitute shock absorption (dB) in octave bands (Hz)					Applicable	
											125	250	500	1000	2000		4000
S-80/600/218-I	600	80	280	103	54	90	76	6	4x90°	6	17	26	29	53	53	45	CMA-218
S-100/600/324-I	600	100	300	131	62	110	90	7	4x90°	8	13	23	34	46	52	40	CMA-324
S-125/600/325-I	600	125	315	142	80	120	102	7	4x90°	8	11	20	30	40	45	30	CMA-325
S-150/600/426-I	600	150	355	176	90	140	119	7	4x90°	9	10	19	29	37	42	25	CMA-426
S-150/600/527-I	600	150	355	149	100	155	129	7	4x90°	9	10	19	29	37	42	25	CMA-527
S-160/600/528-I	600	160	355	138	130	190	160	11	4x90°	9	9	16	28	33	37	21	CMA-528
S-200/600/531-I	600	200	400	162	140	200	175	11	4x90°	12	6	12	22	28	28	18	CMA-531
S-250/600/540-I	600	250	450	217	150	220	190	13	4x90°	14	5	12	20	24	23	14	CMA-540
S-315/900/545-I	900	315	500	266	175	250	220	13	4x90°	22	4	12	21	26	19	15	CMA-545
S-80/600/234-I	600	80	280	103	40	100	72	9	2x180°	6	17	26	29	53	53	45	CA-234
S-100/600/142-I	600	100	300	131	60	120	90	11	4x90°	8	13	23	34	46	52	40	CA-142
S-150/900/148-I	900	150	355	176	73	150	110	11	4x90°	11	10	27	37	51	53	37	CA-148
S-160/900/154-I	900	160	355	190	80	160	120	13	4x90°	12	11	24	35	49	51	27	CA-154
S-200/900/160-I	900	200	400	245	85	160	120	13	4x90°	17	8	18	28	40	37	23	CA-160
S-200/900/166-I	900	200	400	245	85	160	120	13	4x90°	17	8	18	28	40	37	23	CA-166
S-200/900/172-I	900	200	400	245	90	175	140	13	4x90°	17	8	18	28	40	37	23	CA-172



IMPULSION (Rectangular flange)

	L	d1	d2	l	a	b	A	B	Kg	Substitute shock absorption (dB) in octave bands (Hz)						Applicable
										125	250	500	1000	2000	4000	
S-100/600/242-I	600	100	300	200	95	60	155	120	8	13	23	34	46	52	40	CAS/CAST-242
S-150/900/248-I	900	150	355	200	105	66	165	126	11	10	27	37	51	53	37	CAS/CAST-248
S-160/900/254-I	900	160	355	200	115	75	175	135	12	11	24	35	49	51	27	CAS/CAST-254
S-200/900/260-I	900	200	400	200	125	85	185	145	17	8	18	28	40	37	23	CAS/CAST-260
S-200/900/463-I	900	200	400	200	125	85	185	145	17	8	18	28	40	37	23	CAS/CAST-463
S-250/900/467-I	900	250	450	250	130	90	190	150	22	6	17	30	34	28	17	CAS/CAST-467
S-250/900/571-I	900	250	450	250	145	95	205	155	22	6	17	30	34	28	17	CAS/CAST-571
S-250/600/640-I	600	250	450	250	200	125	260	185	14	5	12	20	24	23	14	CAS/CAST-640
S-315/900/645-I	900	315	500	250	224	140	284	200	22	4	12	21	26	19	15	CAS/CAST-645
S-355/900/650-I	900	355	560	250	250	160	310	220	25	4	12	20	24	18	14	CAS/CAST-650
S-180/900/680-I	600	180	380	100	71	100	131	160	15	9	21	31	44	44	25	CAS-680
S-180/900/790-I	600	180	380	100	80	112	140	172	15	9	21	31	44	44	25	CAS-790
S-355/900/852-I	900	355	560	250	280	180	340	240	25	4	12	20	24	18	14	CAS/CAST-852
S-400/1200/856-I	1200	400	600	280	280	180	340	240	38	7	16	22	29	22	15	CAS/CAST-856
S-400/1200/863-I	1200	400	600	280	315	200	375	260	38	7	16	22	29	22	15	CAS/CAST-863
S-450/1200/971-I	1200	450	630	280	355	224	425	294	42	6	15	21	25	20	14	CAS/CAST-971
S-250/1200/980-I	1200	250	450	100	140	200	210	270	29	9	22	35	39	33	20	CAS-980
S-280/1200/990-I	1200	280	450	100	160	224	230	294	33	8	18	31	38	28	19	CAS-990
S-250/1200/1080-I	1200	250	450	100	140	200	210	270	29	9	22	35	39	33	20	CAS-1080
S-280/1200/1090-I	1200	280	450	100	160	224	230	294	33	8	18	31	38	28	19	CAS-1090
S-500/900/1250-I	900	500	600	300	280	400	360	480	9	6	13	18	15	15	12	CAS/CAST-1250/A
S-560/900/1456-I	900	560	630	450	315	450	395	530	9	5	8	13	11	12	8	CAS/CAST-1456/A
S-630/1200/1663-I	1200	630	750	450	355	500	435	580	12	4	8	13	11	11	9	CAS/CAST-1663/A
S-250/600/540-C-I	600	250	450	300	140	120	224	206	14	5	12	20	24	23	14	CAM-540
S-315/900/545-C-I	900	315	500	300	170	135	255	222	22	4	12	21	26	19	15	CAM-545
S-355/900/550-I	900	355	560	300	200	150	296	246	25	4	12	20	24	18	14	CAM-550
S-355/900/752-I	900	355	560	300	200	160	296	256	25	4	12	20	24	18	14	CAM-752
S-355/1200/760-I	1200	355	560	300	220	180	316	276	32	7	15	25	32	23	17	CAM-760
S-500/1200/880-I	1200	500	710	300	290	190	360	249	32	7	15	25	32	23	17	CAM-880
S-315/600/922-I	600	315	500	300	216	140	282	204	16	4	8	14	17	14	12	CMP/TCMP-922
S-355/900/1025-I	900	355	560	300	250	165	314	229	25	4	12	20	24	23	14	CMP/TCMP-1025
S-400/900/1128-I	900	400	600	300	300	180	364	244	29	5	12	19	22	18	13	CMP/TCMP-1128
S-450/900/1231-I	900	450	630	300	320	200	384	266	32	5	12	18	20	16	12	CMP/TCMP-1231
S-500/900/1435-I	900	500	710	300	280	228	344	294	35	4	11	18	16	14	11	CMP/TCMP-1435
S-500/900/1640-I	900	500	710	300	320	250	404	336	35	4	11	18	16	14	11	CMP/TCMP-1640
S-560/900/1845-I	900	560	750	450	360	284	444	370	41	4	10	16	14	13	10	CMP/TCMP-1845
S-630/1200/2050-I	1200	630	800	450	450	315	545	412	56	6	13	18	15	15	12	CMP/TCMP-2050
S-800/1200/2563-I	1200	800	1000	450	600	410	706	512	80	5	9	13	11	11	9	CMP/TCMP-2563
S-400/900/1031-I	900	400	600	300	315	250	385	320	29	5	12	19	22	18	13	CMR/TCR-R/TCR-1031
S-450/900/1135-I	900	450	630	450	355	280	425	350	32	5	12	18	20	16	12	CMR/TCR-R/TCR-1135
S-500/900/1240-I	900	500	710	450	400	315	480	395	35	4	11	18	16	14	11	CMR/TCR-R/TCR-1240
S-560/900/1445-I	900	560	750	450	450	355	540	445	41	4	10	16	14	13	10	CMR/TCR-R/TCR-1445
S-630/1200/1650-I	1200	630	800	450	500	400	590	490	56	6	13	18	15	15	12	CMR/TCR-R/TCR-1650
S-710/900/1856-I	900	710	900	450	560	450	660	550	65	5	8	13	11	12	8	CMR/TCR-R/TCR-1856
S-800/900/2063-I	900	800	1000	450	630	500	750	620	70	4	8	11	9	9	8	CMR/TCR-R/TCR-2063
S-800/1200/2271-I	1200	800	1000	450	710	560	840	690	80	5	9	13	11	11	9	CMR/TCR-R/TCR-2271
S-800/1201/2380-I	1200	800	1000	450	560	800	680	920	90	5	9	13	11	11	9	CMR/TCR-R/TCR-2380
S-800/1200/2380-I	1200	800	1000	450	560	1120	680	1260	90	5	9	13	11	11	9	CMR-X-2380



MOTORS

Asynchronous three-phase motors

Characteristics:

- Speeds: 2, 4, 6 and 8-pole.
- Three-phase power supply of 230/400 V-50 Hz to 5.5 HP and 400/690 V-50 Hz for higher powers.
- IM B3 (IM 1001) construction type.
- Closed motors with external ventilation (IC 411).
- IP55 protection.
- Class F insulation.
- S1 service.

On request:

- Other construction types.
- Single-phase motors.
- 2-speed motors.

Standards:

- Compliant with the following international standards:

Electrical standards

General prescriptions for rotating electrical machines	IEC/EN 60034-1.
Terminal markings and direction of rotation	IEC 60034-8.
Starting performance of three-phase induction motors	IEC 60034-12.
Insulation materials	IEC 60085.
Standard voltages	IEC 60038.

Mechanical standards

Dimensions and output series	IEC 60072
Degrees of protection (IP code)	IEC/EN 60034-5
Methods of cooling	IEC/EN 60034-6
Construction types	IEC/EN 60034-7
Noise limit values	IEC/EN 60034-9
Mechanical vibrations	IEC 60034-14

**3000 r/min
= 2 poles
50Hz**

Motor type	Power		Speed (r/min)
	(kW)	(HP)	
MOTOR-56 1-2T	0.09	0.12	2670
MOTOR-56 2-2T	0.12	0.16	2730
MOTOR-63 1-2T	0.18	0.25	2710
MOTOR-63 2-2T	0.25	0.33	2710
MOTOR-71 1-2T	0.37	0.5	2730
MOTOR-71 2-2T	0.55	0.75	2760
MOTOR-80 1-2T	0.75	1	2770
MOTOR-80 2-2T	1.1	1.5	2770
MOTOR-90S-2T	1.5	2	2840
MOTOR-90L-2T	2.2	3	2840
MOTOR-100L-2T	3	4	2840
MOTOR-112M-2T	4	5.5	2880
MOTOR-132S 1-2T	5.5	7.5	2900
MOTOR-132S 2-2T	7.5	10	2920
MOTOR-160M 1-2T	11	15	2940
MOTOR-160M 2-2T	15	20	2940
MOTOR-160L-2T	18.5	25	2940

**1500 r/min
= 4 poles
50Hz**

Motor type	Power		Speed (r/min)
	(kW)	(HP)	
MOTOR-56 1-4T	0.06	0.08	1320
MOTOR-56 2-4T	0.09	0.12	1320
MOTOR-63 1-4T	0.12	0.17	1350
MOTOR-63 2-4T	0.18	0.25	1350
MOTOR-71 1-4T	0.25	0.33	1350
MOTOR-71 2-4T	0.37	0.50	1370
MOTOR-80 1-4T	0.55	0.75	1370
MOTOR-80 2-4T	0.75	1.00	1380
MOTOR-90S-4T	1.10	1.50	1400
MOTOR-90L-4T	1.50	2.00	1400
MOTOR-100L 1-4T	2.20	3.00	1420
MOTOR-100L 2-4T	3.00	4.00	1420
MOTOR-112M-4T	4.00	5.50	1430
MOTOR-132S-4T	5.50	7.50	1450
MOTOR-132M-4T	7.50	10.00	1450
MOTOR-160M-4T	11.00	15.00	1460
MOTOR-160L-4T	15.00	20.00	1460

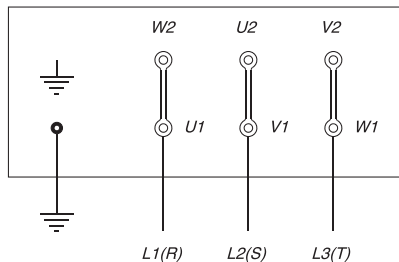
**1000 r/min
= 6 poles
50Hz**

Motor type	Power		Speed (r/min)
	(kW)	(HP)	
MOTOR-71 1-6T	0.18	0.25	880
MOTOR-71 2-6T	0.25	0.35	900
MOTOR-80 1-6T	0.37	0.50	900
MOTOR-80 2-6T	0.55	0.75	900
MOTOR-90S-6T	0.75	1.00	920
MOTOR-90L-6T	1.10	1.50	925
MOTOR-100L-6T	1.50	2.00	945
MOTOR-112M-6T	2.20	3.00	955
MOTOR-132S-6T	3.00	4.00	960
MOTOR-132M 1-6T	4.00	5.50	960
MOTOR-132M 2-6T	5.50	7.50	960
MOTOR-160M-6T	7.50	10.00	970
MOTOR-160L-6T	11.00	15.00	970

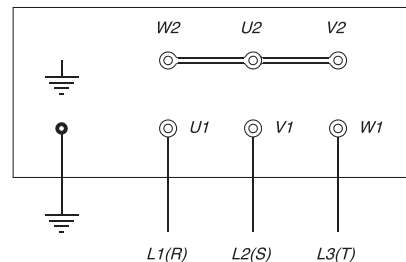
**750 r/min
= 8 poles
50Hz**

Motor type	Power		Speed (r/min)
	(kW)	(HP)	
MOTOR-80 1-8T	0.18	0.25	680
MOTOR-80 2-8T	0.25	0.33	680
MOTOR-90S-8T	0.37	0.50	680
MOTOR-90L-8T	0.55	0.75	680
MOTOR-100L 1-8T	0.75	1.00	710
MOTOR-100L 2-8T	1.10	1.50	710
MOTOR-112M-8T	1.50	2.00	710
MOTOR-132S-8T	2.20	3.00	720
MOTOR-132M-8T	3.00	4.00	720
MOTOR-160M 1-8T	4.00	5.50	720
MOTOR-160M 2-8T	5.50	7.50	720
MOTOR-160L-8T	7.50	10.00	720

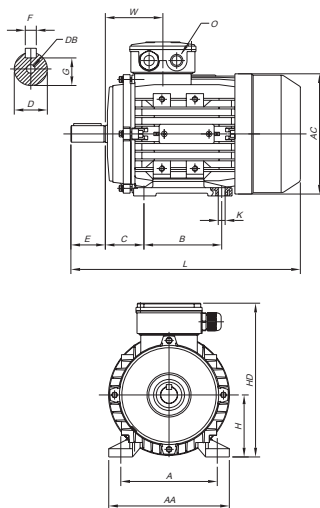
Connection diagram



△
Low voltage



Y
High voltage



Dimensions

Model	H	A	B	C	D	E	F	G	DB	K	AA	HD	AC	L	O
56	56	90	71	36	9	20	3	7.2	M3	6x8.8	110	160	120	195	1-M16X1.5
63	63	100	80	40	11	23	4	8.5	M4	6x10	120	165	130	215	1-M16X1.5
71	71	112	90	45	14	30	5	11	M5	7x10	132	180	145	245	1-M20X1.5
80	80	125	100	50	19	40	6	15.5	M6	10x13	160	217	165	290	1-M20X1.5
90S	90	140	100	56	24	50	8	20	M8	10x13	175	230	185	310	1-M20X1.5
90L1/L2	90	140	125	56	24	50	8	20	M8	10x13	175	235	185	335/365	1-M20X1.5
100	100	160	140	63	28	60	8	24	M10	12x16	196	252	205	386	1-M20X1.5
112	112	190	140	70	28	60	8	24	M10	12x16	220	292	230	395	2-M25X1.5
132/S	132	216	140	89	38	80	10	33	M12	12x16	252	330	270	436	2-M25X1.5
132M/L	132	216	178	89	38	80	10	33	M12	12x16	252	325	270	475/500	2-M25X1.5
160M	160	254	210	108	42	110	12	37	M16	15x19	335	390	320	640	2-M32X1.5
160L	160	254	254	108	42	110	12	37	M16	15x19	335	390	320	640	2-M32X1.5

GRILLES AND NOZZLES FOR AIR EXTRACTION AND OUTLET IN SINGLE-FAMILY OR COMMUNITY DWELLINGS

Circular design

Circular ventilation nozzles for air extraction or supply made of plastic material or painted sheet steel, depending on model, designed for installation in CJT-3C and CJP-3C boxes.



BE/BI-RP

Manually adjustable extraction nozzles using central screw, made of plastic material

- A seal sleeve is required for installation in recessed boxes

Maximum flow rate		Maximum flow rate	
(m ³ /h)		(m ³ /h)	
BE/BI-RP-80		BE/BI-RP-200	50/500
BE/BI-RP-100	15/180	ø100 seal sleeve	
BE/BI-RP-125	15/220	ø125 seal sleeve	
BE/BI-RP-160	50/400		



BE-ALIZE

Self-adjusting extraction nozzles that guarantee constant air extraction

- Version S: Fixed extraction flow rate for bathrooms.
- Version C: Permanent extraction flow completed by a supplementary extraction flow operated by a cord, for kitchens or premises where the extracted flow must be modulated.
- A seal sleeve is required for installation in recessed boxes.

Maximum flow rate		Maximum flow rate		Maximum flow rate	
(m ³ /h)		(m ³ /h)		(m ³ /h)	
BE-ALIZE-S-15	15	BE-ALIZE-S-120	120	BE-ALIZE-C-45/135	45/135
BE-ALIZE-S-30	30	BE-ALIZE-S-150	150	ø125 seal sleeve	-
BE-ALIZE-S-45	45	BE-ALIZE-C-20/75	20/75	ø125 plasterboard sleeve	-
BE-ALIZE-S-60	60	BE-ALIZE-C-30/90	30/90	ø125/80 plasterboard sleeve	-
BE-ALIZE-S-75	75	BE-ALIZE-C-45/105	45/105	Acoustic module	-
BE-ALIZE-S-90	90	BE-ALIZE-C-45/120	45/120		

BE-ALIZE-HVT

Self-adjusting extraction nozzles that guarantee constant extraction of air, depending on the humidity or via presence sensor

- H version: Hygro-regulated extraction flow rate between 6 and 90 m³/h or 10 and 135 m³/h, depending on relative humidity. Permanent extraction flow rate of 6 or 10 m³/h, depending on version.
- V version: Possibility of adjustment to maximum flow rate of 30 m³/h and adjustable operating time up to 30 minutes, operates on detecting presence inside the premises. Permanent extraction flow rate of 5 m³/h.
- T version: Possibility of adjustment to maximum flow rate of 30 m³/h and adjustable operating time up to 30 minutes. Operates on connecting the light switch. Permanent extraction flow rate of 5 m³/h.
- Mounting sleeve included.

Maximum flow rate	
(m ³ /h)	
BE-ALIZE-H-6/40/90	5/90
BE-ALIZE-H-10/45/105	10/105
BE-ALIZE-H-10/45/135	10/135
BE-ALIZE-V-5/30	5/30
BE-ALIZE-T-5/30	5/30
ø125/HTV plasterboard sleeve	-
ø125/80/HTV plasterboard sleeve	-





BE-AC

Manually-adjustable extraction nozzles using central screw, made of painted sheet steel

- Mounting sleeve included.

	Maximum flow rate		Maximum flow rate	
	(m³/h)		(m³/h)	
BE-AC-100	10/120		BE-AC-160	20/280
BE-AC-125	20/180		BE-AC-200	30/350



BI-AC

Manually-adjustable outlet nozzles using central screw, made of painted sheet steel

- Mounting sleeve included

	Maximum flow rate		Maximum flow rate	
	(m³/h)		(m³/h)	
BI-AC-100	15/180		BI-AC-160	50/400
BI-AC-125	15/220		BI-AC-200	50/500



RC

Circular grilles made of plastic material for outdoor installation in dwellings

	Measurements Ext.		For Hole of		Measurements Ext.		For Hole of	
RC-100/B	106 mm		40 - 80 mm		RC-200/B	235 mm		165 - 220 mm
RC-125/B	155 mm		80 - 125 mm		RC-250/B	270 mm		220 - 260 mm
RC-150/B	175 mm		125 - 160 mm					



RCC

Constant circular flow adjuster with sleeve and self-adjustment system, formed by a hatch and an adjuster spring that permits a constant flow to be maintained with changes in pressure of between 50 and 200 Pa.

Model	Flow rate (m³/h)	Duct (mm)
RCC-80/15	15	80
RCC-80/30	30	80
RCC-80/45	45	80
RCC-100/15	15	100
RCC-100/30	30	100
RCC-100/45	45	100
RCC-100/60	60	100
RCC-100/75	75	100
RCC-100/90	90	100
RCC-125/15	15	125
RCC-125/30	30	125
RCC-125/45	45	125
RCC-125/60	60	125

Model	Flow rate (m³/h)	Duct (mm)
RCC-125/75	75	125
RCC-125/90	90	125
RCC-125/120	120	125
RCC-125/150	150	125
RCC-125/180	180	125
RCC-160/120	120	160
RCC-160/150	150	160
RCC-160/180	180	160
RCC-160/210	210	160
RCC-160/240	240	160
RCC-160/270	270	160
RCC-160/300	300	160
RCC-200/210	210	200

Model	Flow rate (m³/h)	Duct (mm)
RCC-200/240	240	200
RCC-200/270	270	200
RCC-200/300	300	200
RCC-200/350	350	200
RCC-200/400	400	200
RCC-200/450	450	200
RCC-200/500	500	200
RCC-250/350	350	250
RCC-250/500	500	250
RCC-250/550	550	250
RCC-250/600	600	250
RCC-250/650	650	250
RCC-250/700	700	250

CONTROL AND SENSOR UNITS



SI-PIR-TF-Cenital



SI-PIR-TF-Mural

SI-PIR

Presence sensor

Automatically activates the ventilation system on detecting the presence of people within its radius of action and continues to operate for a pre-established time, regulated by an internal clock.

Model	Power supply	Outlet	Angle detection	Adjusting devices	Installation height	Operating temperature
SI-PIR	230 V	230 V	360 °C	5s-30 min. timer	2.4-4.2 m	-20 °C +50 °C
SI-PIR-TFT-550-B	24 V AC/24 V DC	24 V AC/24 V DC	110 °C	5s-30 min. timer	1.8-3.6 m	-20 °C +50 °C
SI-PIR-TF-25-360	24 V AC/24 V DC	24 V AC/24 V DC	360 °C	10s-30 min. timer	2.4-4.2 m	-20 °C +50 °C



SI-CO2

Air quality sensor

Automatically activates the ventilation system when the increase in contamination exceeds the pre-established value, depending on the occupation of the premises.

Model	Power supply	Outlet	Consumption (W)	Adjusting devices	Installation height	Operating temperature
SI-CO2-GAQ24	24 V AC	0-10 V AC	5	10s-30 min. timer	1.5-2.5 m	-20 °C +50 °C



SI-TEMP+HUMEDAD

Option: Optional temperature and humidity duct sensors.

Temperature and relative humidity sensor with display

Independently controls the temperature and relative humidity of the air inside the premises. Automatically activates the ventilation system on detecting a temperature or humidity higher than the setpoint. Once the room temperature or humidity falls below the setpoint, the fan remains on for a pre-established time, regulated by an internal clock.

Model	Power supply	Outlet	Adjusting devices	Installation height	Operating temperature
SI-TEMP+HUMEDAD	24 V AC	0-10 V DC	$\Delta T = 0.5 \text{ °C}$ and $\Delta RH = 2\%$	1.5-2.5 m	+10 °C +40 °C



SI-PRESIÓN

Pressure transmitter

Ensures the pressure in ventilation installations remains constant and transforms it into an electrical signal to regulate the ventilation system, in order to maintain the same pressure.

Model	Power supply	Outlet	Maximum consumption (VA)	Connectors	Pressure range
SI-PRESSURE TPDA	24 V AC/24 V DC	0-10 V/4-20 mA	4	6.2 mm	0-2500 Pa
SI-PRESIÓN TPDA WITH DISPLAY	24 V AC/24 V DC	0-10 V/4-20 mA	4	6.2 mm	0-2500 Pa



SI TEMP IND

Proportional temperature sensor

Model	Power supply	Outlet	Maximum consumption (VA)	Operating temperature
SI TEMP IND/P	15-24 V AC $\pm 10\%$ /18-34 V DC	0-10 V DC/0-20 mA	1.5	0 +50 °C



SI-MF

Multifunctional sensor for controlling temperature, relative humidity and CO2

Model	Power supply	Outlet	Maximum consumption (VA)	Relative humidity range	CO2 concentration range	Operating temperature
SI_MF	24 V AC / V DC $\pm 10\%$	(0-10 V DC / 0-20 mA)	3.3	0-100% RH	0-2000 ppm	0 +50 °C

CONTROL AND SENSOR UNITS



SI-FUENTE DE ALIMENTACIÓN

24 V DC/AC power supply

Supplies 24 V DC/AC smart sensors through a single-phase 230 V voltage input.



Model	Power supply	Outlet	Power (VA)
SI-FUENTE DE ALIMENTACIÓN DC	230 V	24 V DC	30
SI-FUENTE DE ALIMENTACIÓN AC	230/400 V	24/48 V AC	25



SI-CO2 IND

Co2 concentration sensor

Model	Power supply	Outlet	Maximum consumption (VA)	CO2 concentration range	Operating temperature
SI-CO2 IND/P	15-24 V AC \pm 10%/18-34 V DC	0-10 V DC/0-20 mA	2.5	0-2000 ppm	-10 +50 °C
SI-CO2 IND/C	15-24 V AC \pm 10%/18-34 V DC	0-10 V DC/0-20 mA	2.5	0-2000 ppm	0 +50 °C



SI-HUMIDOSTATO

Humidity sensor

Model	Power supply	Outlet	Maximum consumption (VA)	Relative humidity range	Operating temperature
SI-HUMIDOSTATO	15-24 V AC \pm 10%/18-34 V DC	220-240 V AC	2	0-100% RH	0 +50 °C



SI-HUMEDAD

Proportional humidity sensor

Model	Power supply	Outlet	Maximum consumption (VA)	Relative humidity range	Operating temperature
SI-HUMEDAD	15-24 V AC \pm 10%/18-34 V DC	0-10 V DC/0-20 mA	2.5	0-100% RH	0 +50 °C



CENTRAL CO

Monoxide detection stations for ventilation control in garages

Model	Power supply
FMC-C-501	Station for 1 zone
FMC-C-502	Station for 2 zone
FMC-C-503	Station for 3 zone
FM-M-509	Zone extension module
FM-DP500	Wall-mounted CO sensor
FM-D500	Ceiling-mounted CO sensor
FM-TC500	Converter control card



SI-VOC+HUMEDAD

Air quality, humidity and temperature sensor for 3-speed motor control

Model	Power supply	Outlet	Maximum consumption (A)	Relative humidity range	Concentration range VOC	Temperature of use
SI-VOC+HUMEDAD	230 V AC	230 V AC (V1, V2, V3)	2	5% RH - 95% RH	0-999 ppm	-10 +50 °C

ALPHABETICAL INDEX OF REFERENCES

FANS

CA	209	CKDR	161
CAB	277	CL	36
CA/LINE	33	CL/PLUS	36
CAM	213	CMA	174
CASB	259	CMAT	232
CASB-X	265	CMP	180
CAS CAS-S	200	CMP/AL	188
CAST	281	CJMP/AL	188
CB	166	CMPE	178
CBD	44	CMPH	229
CBD 3V	44	CMP-X	217
CBD/B	44	CMRH	285
CBD/B 3V	44	CMRS	241
CBD/EW	49	CMRS-X	247
CBD/B/EW	49	CMSH	225
CBDRE CJBDRE	66	CMT	237
CBP CBPC	198	CMTS	235
CBX	70	CPV	169
CBXC	70	CRL	190
CBXR	70	CSXR	129
CBXT	70	CSXRT	129
CDXR	115	CJSXR	129
CDXRT	115	NEOLINEO/EW	28
CJDXR	115	NEOLINEO/V	25
CI-CO	164	NEOSILENT	31
CJBD CJBD/AL	51	PORT	240
CJBD/EW	55	SVE	12
CJBD/EW/AL	55	SVE/PLUS/EW	17
CJBD/EW/CPC	60	SVE/PLUS/EW/CPC	20
CJBR	159	SVE/PLUS	12
CJBX	81	TSA	141
CJBX/AL	81	TSAT	141
CJSRX	150	CJTSA	141
CJTX-C	106	TUB	43
CJV/EW	64	UDT	92
CKD	161	UDTX	98

ALPHABETICAL INDEX OF REFERENCES

ACCESSORIES

ARO	304	REG	303
ACE	302	RM	294
AET	296	RMC	295
B	298	RPA	297
BD	300	S	305
BE-AC	310	SM	302
BE-ALIZE	309	SI-CO2	311
BE-ALIZE-HVT	309	SI-CO2 IND	312
BE/BI-RP	309	SI-FUENTE DE ALIMENTACIÓN	312
BI-AC	310	SI-HUMEDAD	312
BIC	301	SI-HUMIDOSTATO	312
CENTRAL CO	312	SI-MF	311
CABLE BOX	294	SI-PIR	311
CJACUS	304	SI-PRESIÓN	311
CM	304	SI+TEMP IND	311
C2V	294	SI-TEMP+HUMEDAD	311
DRALL-REGLER	297	SI-VOC+HUMEDAD	312
GMP	296	TAC	304
IAT	294	TEJ	304
INT	294	PRESSURE BALANCE VALVE	297
MOTORS	308	VIS	302
MTP	296	VOL	304
P	297	VSD1/A-RFM	295
PL	296	VSD3/A-RFM	295
PSB	302	VSD1/B	295
RC	310	VSD3/B	295



HEADQUARTER

Sodeca, S.L.U.
Pol. Ind. La Barricona
Carrer del Metall, 2
E-17500 Ripoll
Girona, SPAIN
Tel. +34 93 852 91 11
Fax: +34 93 852 90 42
General sales:
comercial@sodeca.com
Export sales:
ventilation@sodeca.com

PRODUCTION PLANT

Sodeca, S.L.U.
Ctra. de Berga, km 0,7
E-08580 Sant Quirze de
Besora
Barcelona, SPAIN
Tel. +34 93 852 91 11
Fax: +34 93 852 90 42
General sales:
comercial@sodeca.com
Export sales:
ventilation@sodeca.com



EUROPE

FINLAND

Sodeca Finland, Oy
HUITTINEN
Sales and Warehouse
Mr. Kai Yli-Sipilä
Metsälinnankatu 26
FI-32700 Huitinen
Tel. + 358 400 320 125
orders.finland@sodeca.com

HELSINKI
Smoke Control Solutions
Mr. Antti Kontkanen
Viilpulantie 9C
FI-00700 Helsinki
Tel. +358 400 237 434
akontkanen@sodeca.com

HYVINKÄÄ
Industrial Applications
Mr. Jaakko Tomperi
Niinistökatu 12
FI-05800 Hyvinkää
Tel. +358 451 651 333
jtomperi@sodeca.com

ITALIA

Marelli Ventilazione, S.R.L.
Viale del Lavoro, 28
37036 San Martino B.A.
(VR), ITALY
Tel. +39 045 87 80 140
vendite@sodeca.com

PORTUGAL

Sodeca Portugal, Unip. Lda.
PORTO
Rua Veloso Salgado 1120/1138
4450-801 Leça de Palmeira
Tel. +351 229 991 100
geral@sodeca.pt

LISBOA
Pq. Emp. da Granja Pav. 29
2625-607 Vialonga
Tel. +351 219 748 491
geral@sodeca.pt

ALGARVE
Rua da Alegria, 33
8200-569 Ferreiras
Tel. +351 289 092 586
geral@sodeca.pt

UNITED KINGDOM

Sodeca Fans UK, Ltd.
Mr. Mark Newcombe
Tamworth Enterprise Centre
Philip Dix House, Corporation
Street, Tamworth, B79 7DN
UNITED KINGDOM
Tel. +44 (0) 1827 216 109
sales@sodeca.co.uk

AMERICA

CHILE

Sodeca Ventiladores, SpA.
Sra. Sofía Ormazábal
Santa Bernardita 12.005
(Esquina con Puerta Sur)
Bodegas 24 a 26,
San Bernardo, Santiago, CHILE
Tel. +56 22 840 5582
ventas.chile@sodeca.com

COLOMBIA

Sodeca Latam, S.A.S.
Sra. Luisa Stella Prieto
Calle7 No. 13 A-44
Manzana 4 Lote1, Montaña
Mosquera, Cundinamarca
Bogotá, COLOMBIA
Tel. +57 1 756 4213
ventascolombia@sodeca.co

PERU

Sodeca Perú, S.A.C.
Sr. Jose Luis Jiménez
C/ Mariscal Jose Luis de
Orbegoso 331. Urb. El pino.
15022, San Luis. Lima, PERÚ
Tel. +51 1 326 24 24
Cel. +51 994671594
comercial@sodeca.pe



HEADQUARTERS

Sodeca S.L.U.

Ctra. de Berga, km 0,7

E-08580 SANT QUIRZE DE BESORA

Barcelona, SPAIN

Tel. +34 93 852 91 11

Fax +34 93 852 90 42

General sales: comercial@sodeca.com

Export sales: ventilation@sodeca.com



www.sodeca.com

