

# RM-00/01/02



### Electronic speed controllers for single-phase motors

The RM models are voltage regulated. The RM/VSD1 models are frequency regulated.

Common features:

- Converters for speed variation for fans with asynchronous single-phase motors.
- Speed drive power supply single-phase 230 V 50/60 Hz.
- Start/Stop switch.
- Speed adjustment by analog command.
- According to the Electromagnetic Compatibility Directives 2014/30 / EU and Low Voltage 2014/35 / EU.

RM models features:

- Minimum speed adjustment.
- With EMC filters in accordance with Standard EN-55014.

RM/VSD1 model features:

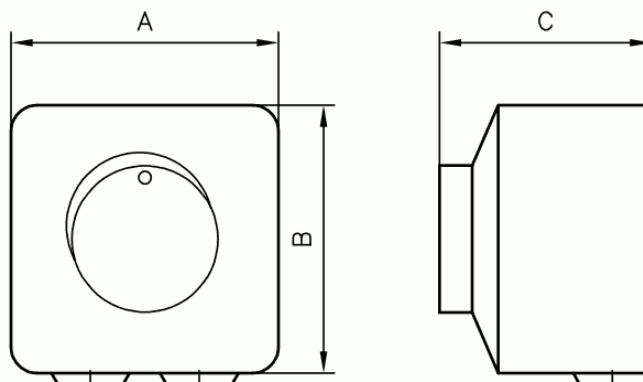
- 16AF protective fuse.
- Dual passive (radiator) and active (cooling fan) heat dissipation system.

Model	Regulation type	Input voltage	Output voltage	Protection	Maximum current (A)
RM-00	Voltage	230 V-50/60 Hz	230 V-50/60 Hz	IP44	0.5
RM-01	Voltage	230 V-50/60 Hz	230 V-50/60 Hz	IP44	1
RM-02	Voltage	230 V-50/60 Hz	230 V-50/60 Hz	IP44	2
RM-1	Voltage	230 V-50/60 Hz	230 V-50/60 Hz	IP54	3
RM-2	Voltage	230 V-50/60 Hz	230 V-50/60 Hz	IP54	5
RM-3	Voltage	230 V-50/60 Hz	230 V-50/60 Hz	IP54	10
RM/VSD1-3.5	Frequency	230 V-50/60 Hz	230 V-35/50 Hz	IP20	3.5
RM/VSD1-8.0	Frequency	230 V-50/60 Hz	230 V-35/50 Hz	IP20	8

## DIMENSIONS

A	B	C
82	82	65

Dimensions without explicitly defined units are shown in millimeters (mm)



# RM-1/2/3



## Electronic speed controllers for single-phase motors

The RM models are voltage regulated. The RM/VSD1 models are frequency regulated.

Common features:

- Converters for speed variation for fans with asynchronous single-phase motors.
- Speed drive power supply single-phase 230 V 50/60 Hz.
- Start/Stop switch.
- Speed adjustment by analog command.
- According to the Electromagnetic Compatibility Directives 2014/30 / EU and Low Voltage 2014/35 / EU.

RM models features:

- Minimum speed adjustment.
- With EMC filters in accordance with Standard EN-55014.

RM/VSD1 model features:

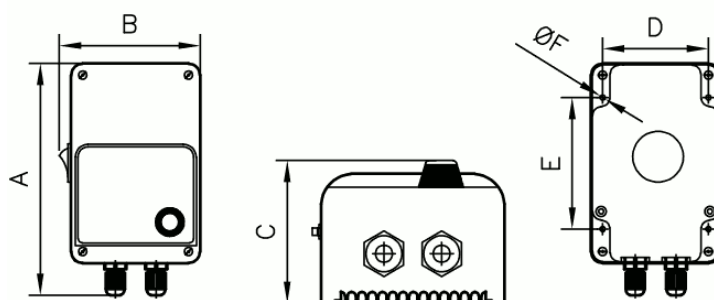
- 16AF protective fuse.
- Dual passive (radiator) and active (cooling fan) heat dissipation system.

Model	Regulation type	Input voltage	Output voltage	Protection	Maximum current (A)
RM-00	Voltage	230 V-50/60 Hz	230 V-50/60 Hz	IP44	0.5
RM-01	Voltage	230 V-50/60 Hz	230 V-50/60 Hz	IP44	1
RM-02	Voltage	230 V-50/60 Hz	230 V-50/60 Hz	IP44	2
RM-1	Voltage	230 V-50/60 Hz	230 V-50/60 Hz	IP54	3
RM-2	Voltage	230 V-50/60 Hz	230 V-50/60 Hz	IP54	5
RM-3	Voltage	230 V-50/60 Hz	230 V-50/60 Hz	IP54	10
RM/VSD1-3.5	Frequency	230 V-50/60 Hz	230 V-35/50 Hz	IP20	3.5
RM/VSD1-8.0	Frequency	230 V-50/60 Hz	230 V-35/50 Hz	IP20	8

## DIMENSIONS

A	B	C	D	E	ØF
162	96	75	71	108.8	4.2

Dimensions without explicitly defined units are shown in millimeters (mm)



# RM/VSD1-3.5/8.0



### Electronic speed controllers for single-phase motors

The RM models are voltage regulated. The RM/VSD1 models are frequency regulated.

Common features:

- Converters for speed variation for fans with asynchronous single-phase motors.
- Speed drive power supply single-phase 230 V 50/60 Hz.
- Start/Stop switch.
- Speed adjustment by analog command.
- According to the Electromagnetic Compatibility Directives 2014/30 / EU and Low Voltage 2014/35 / EU.

RM models features:

- Minimum speed adjustment.
- With EMC filters in accordance with Standard EN-55014.

RM/VSD1 model features:

- 16AF protective fuse.
- Dual passive (radiator) and active (cooling fan) heat dissipation system.

Model	Regulation type	Input voltage	Output voltage	Protection	Maximum current (A)
RM-00	Voltage	230 V-50/60 Hz	230 V-50/60 Hz	IP44	0.5
RM-01	Voltage	230 V-50/60 Hz	230 V-50/60 Hz	IP44	1
RM-02	Voltage	230 V-50/60 Hz	230 V-50/60 Hz	IP44	2
RM-1	Voltage	230 V-50/60 Hz	230 V-50/60 Hz	IP54	3
RM-2	Voltage	230 V-50/60 Hz	230 V-50/60 Hz	IP54	5
RM-3	Voltage	230 V-50/60 Hz	230 V-50/60 Hz	IP54	10
RM/VSD1-3.5	Frequency	230 V-50/60 Hz	230 V-35/50 Hz	IP20	3.5
RM/VSD1-8.0	Frequency	230 V-50/60 Hz	230 V-35/50 Hz	IP20	8

## DIMENSIONS

A	B	C
200	180	100

Dimensions without explicitly defined units are shown in millimeters (mm)

