

# CHT/ATEX

**Roof mounted centrifugal fans with horizontal outlet, ATEX 2G or 2D certification and Ex db, Ex eb or Ex tb motor**



Notified authority: LOM  
 Identification no.: LOM 03ATEX0147  
 Motor marking:  
 Ⓜ II 2G Ex db IIB T4 Gb  
 Ⓜ II 2G Ex eb IIB T3 Gb  
 Ⓜ II 2D Ex tb IIIC T135 °C Db



Centrifugal roof fans, with horizontal air outlet and aluminum hood. ATEX 2G or 2D certification with flameproof Ex db, increased safety Ex eb or dust ignition proof Ex tb motor to work in explosive gas or dust atmospheres.

**Fan:**

- Backward curved impeller.
- Bird protection grid.
- Aluminum rain cover.
- Maximum temperature of air to be carried: -25 °C +80 °C.
- Standard marking with flameproof motor (Ex db): II 2G Ex h IIB T4 Gb.
- Standard marking with increased safety motor (Ex eb): II 2G Ex h IIB T3 Gb.
- Standard marking with motor for dust ignition proof (Ex tb): II 2D Ex h IIIC T135 °C Db.

**Motor:**

- Class F motors with ball bearings and ATEX certification flameproof Ex db, increased safety Ex eb or dust ignition proof Ex tb.
- Three-phase 230/400 V 50 Hz (up to 4 kW) and 400/690 V 50 Hz (powers greater than 4 kW).
- Working temperature: -20 °C +40 °C.

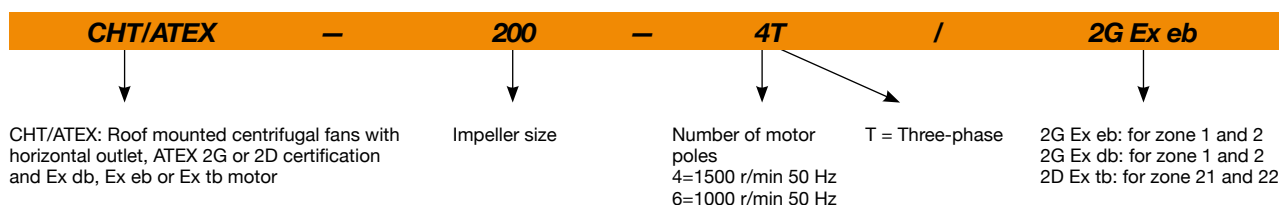
**Finish:**

- Galvanised steel sheet and aluminum.

**On request:**

- Motors with built-in PTC.
- Special windings for different voltages and frequencies.
- ATEX construction for flammable dust.
- ATEX fan with greater protection than the standard marking.
- Fans with 2 speed motor.
- Ex db flameproof single-phase motors.

## Order code



## Technical characteristics

Model	Speed (r/min)	Maximum admissible current (A)		Installed power (kW)	Maximum flow rate (m³/h)	Sound pressure level¹ dB (A)		Approx. weight (Kg)
		230V	400V			Inlet	Exhaust	
CHT/ATEX-200-4T	1350	1.25	0.72	0.25	1450	36	43	25
CHT/ATEX-225-4T	1350	1.25	0.72	0.25	2100	40	46	25
CHT/ATEX-250-4T	1350	1.25	0.72	0.25	3100	44	49	34
CHT/ATEX-315-4T	1370	2.87	1.65	0.55	4950	47	53	39
CHT/ATEX-315-6T	900	2.77	1.60	0.37	3200	36	38	39
CHT/ATEX-400-4T	1380	3.81	2.20	0.75	7000	54	60	57
CHT/ATEX-400-6T	935	2.77	1.60	0.37	4500	43	49	56
CHT/ATEX-450-4T	1400	6.93	4.00	1.50	10200	58	63	66
CHT/ATEX-450-6T	925	2.77	1.60	0.37	6720	46	53	59
CHT/ATEX-500-6T	955	5.89	3.40	1.10	12000	50	55	103
CHT/ATEX-560-6T	960	9.35	5.40	2.20	17300	53	59	126
CHT/ATEX-630-6T	960	18.88	10.90	4.00	24700	57	61	166

1. The noise level values are pressures in dB(A) measured at a distance of 6 metres in a free field.

## Acoustic characteristics

Sound power spectrum  $L_w(A)$  in dB(A) per Hz frequency band

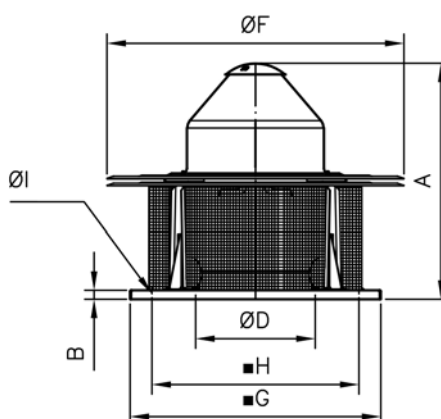
Values measured at inlet with maximum flow rate ( $Q_{max}$ )

	63	125	250	500	1000	2000	4000	8000
CHT/ATEX-200-4T	37	43	54	57	58	54	52	46
CHT/ATEX-225-4T	44	53	58	58	62	61	54	48
CHT/ATEX-250-4T	48	57	62	62	66	65	58	52
CHT/ATEX-315-4T	52	58	64	64	67	70	61	55
CHT/ATEX-315-6T	41	47	53	53	56	59	50	44
CHT/ATEX-400-4T	59	65	71	71	74	77	68	62
CHT/ATEX-400-6T	48	54	60	60	63	66	57	51
CHT/ATEX-450-4T	64	71	76	76	80	79	72	67
CHT/ATEX-450-6T	52	59	64	64	68	67	60	55
CHT/ATEX-500-6T	56	62	67	68	72	71	64	57
CHT/ATEX-560-6T	59	65	70	71	75	74	67	60
CHT/ATEX-630-6T	63	69	74	75	79	78	71	64

Values measured at exhaust with maximum flow rate ( $Q_{max}$ )

	63	125	250	500	1000	2000	4000	8000
CHT/ATEX-200-4T	41	46	60	62	63	63	58	53
CHT/ATEX-225-4T	43	52	62	66	69	66	59	53
CHT/ATEX-250-4T	46	55	65	69	72	69	62	56
CHT/ATEX-315-4T	51	63	71	73	74	74	66	58
CHT/ATEX-315-6T	40	52	60	62	63	63	55	47
CHT/ATEX-400-4T	58	70	78	80	81	81	73	65
CHT/ATEX-400-6T	47	59	67	69	70	70	62	54
CHT/ATEX-450-4T	62	74	82	84	85	82	75	67
CHT/ATEX-450-6T	52	64	72	74	75	72	65	57
CHT/ATEX-500-6T	52	66	74	78	77	74	68	62
CHT/ATEX-560-6T	56	70	78	82	81	78	72	66
CHT/ATEX-630-6T	59	73	81	85	74	81	75	69

## Dimensions mm



	A	B	øD*	øF	G	H	øl
CHT/ATEX-200	530	20	250	570	450	360	12
CHT/ATEX-225	548	20	250	570	450	360	12
CHT/ATEX-250	620	30	355	726	560	450	12
CHT/ATEX-315	650	30	355	726	560	450	12
CHT/ATEX-400	735	40	500	856	710	590	12
CHT/ATEX-450	750	40	500	856	710	590	12
CHT/ATEX-500	826	40	630	1072	900	750	14
CHT/ATEX-560	1035	40	710	1300	1100	900	14
CHT/ATEX-630	1096	40	710	1300	1100	900	14

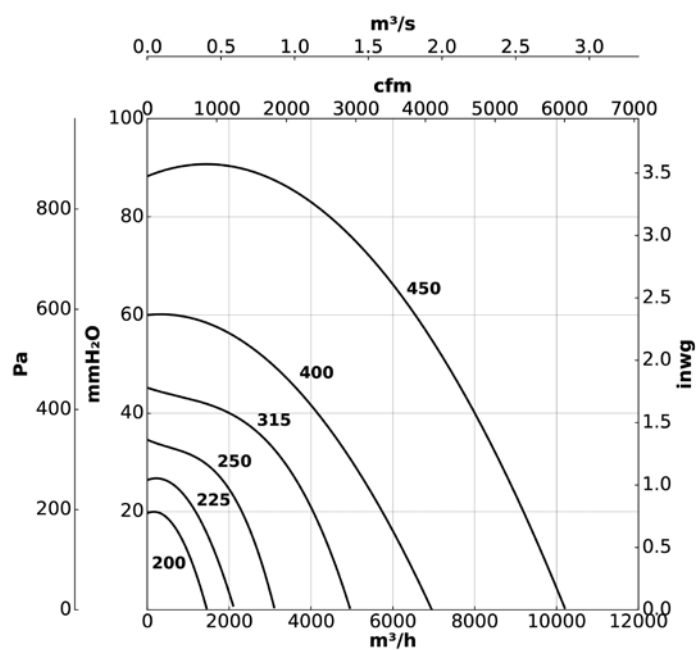
\* Recommended nominal tube diameter

### Characteristic curves

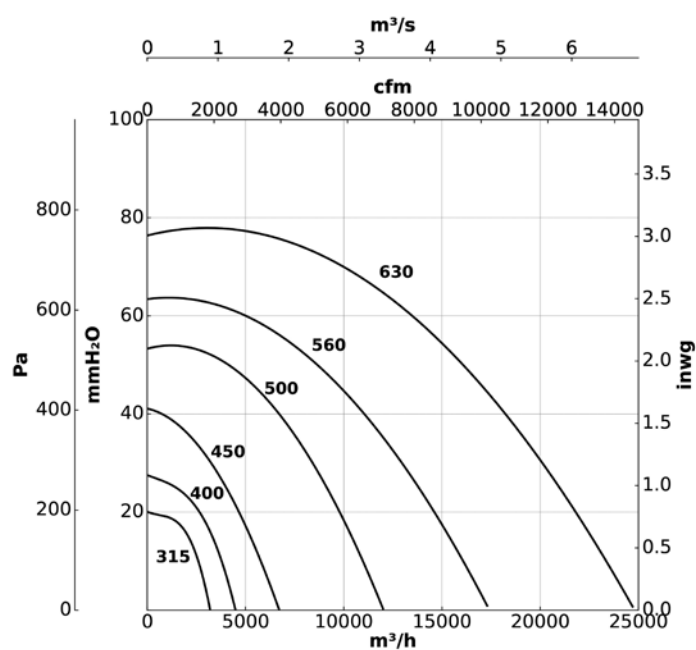
Q= Flow rate in m<sup>3</sup>/h, m<sup>3</sup>/s and cfm

Pe= Static pressure in mm H<sub>2</sub>O, Pa and inwg

#### 4T=1500 r/min

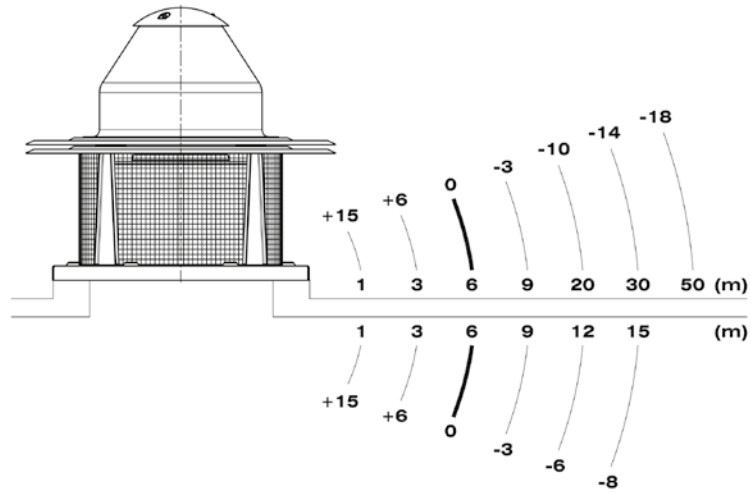


#### 6T=1000 r/min



## Sound pressure variation depending on distance

The noise level may vary depending on the roof or tile structure.



## Accessories



INT/ATEX



B



MS



PA



BS



BSS



PT



ACE ACE/400



S