

# CVT/ATEX

**Roof mounted centrifugal fans with vertical air outlet, ATEX 2G or 2D certification and Ex db, Ex eb or Ex tb motor**



Notified authority: LOM  
 Identification no.: LOM 03ATEX0147  
 Motor marking:  
 Ⓜ II 2G Ex db IIB T4 Gb  
 Ⓜ II 2G Ex eb IIB T3 Gb  
 Ⓜ II 2D Ex tb IIIC T135 °C Db



Centrifugal roof fans, with vertical air outlet and aluminum hood. ATEX 2G or 2D certification with flameproof Ex db, increased safety Ex eb or dust ignition proof Ex tb motor to work in explosive gas or dust atmospheres.

- Fan:
- Backward curved impeller.
  - Bird protection grid.
  - Aluminum rain cover.
  - Maximum temperature of air to be carried: -25 °C +80 °C.
  - Standard marking with flameproof motor (Ex db): II 2G Ex h IIB T4 Gb.
  - Standard marking with increased safety motor (Ex eb): II 2G Ex h IIB T3 Gb.
  - Standard marking with motor for dust ignition proof (Ex tb): II 2D Ex h IIIC T135 °C Db.

- Motor:
- Class F motors with ball bearings and ATEX certification flameproof Ex db, increased safety Ex eb or dust ignition proof Ex tb.
  - Three-phase 230/400 V 50 Hz (up to 4 kW) and 400/690 V 50 Hz (powers greater than 4 kW).
  - Working temperature: -20 °C +40 °C.

- Finish:
- Galvanised steel sheet and aluminum.

- On request:
- Motors with built-in PTC.
  - Special windings for different voltages and frequencies.
  - ATEX construction for flammable dust.
  - ATEX fan with greater protection than the standard marking.
  - Fans with 2 speed motor.
  - Ex db flameproof single-phase motors.

## Order code

<b>CVT/ATEX</b>	<b>—</b>	<b>200</b>	<b>—</b>	<b>4T</b>	<b>/</b>	<b>2G Ex eb</b>
↓		↓		↓		↓
CVT/ATEX: Roof mounted centrifugal fans with vertical air outlet, ATEX 2G or 2D certification and Ex db, Ex eb or Ex tb motor		Impeller size		Number of motor poles 4=1500 r/min 50 Hz 6=1000 r/min 50 Hz	T = Three-phase	2G Ex eb: for zone 1 and 2 2G Ex db: for zone 1 and 2 2D Ex tb: for zone 21 and 22

## Technical characteristics

Model	Speed (r/min)	Maximum admissible current (A)		Installed power (kW)	Maximum flow rate (m³/h)	Sound pressure level <sup>1</sup> dB (A)		Approx. weight (Kg)
		230V	400V			Inlet	Exhaust	
CVT/ATEX-200-4T	1350	1.25	0.72	0.25	1450	36	43	25
CVT/ATEX-225-4T	1350	1.25	0.72	0.25	2100	40	46	25
CVT/ATEX-250-4T	1350	1.25	0.72	0.25	3100	44	49	34
CVT/ATEX-315-4T	1370	2.87	1.65	0.55	4950	47	53	39
CVT/ATEX-315-6T	900	2.77	1.60	0.37	3200	36	38	39
CVT/ATEX-400-4T	1380	3.81	2.20	0.75	7000	54	60	57
CVT/ATEX-400-6T	935	2.77	1.60	0.37	4500	43	49	56
CVT/ATEX-450-4T	1400	6.93	4.00	1.50	10200	58	63	66
CVT/ATEX-450-6T	925	2.77	1.60	0.37	6720	46	53	59
CVT/ATEX-500-6T	955	5.89	3.40	1.10	12000	50	55	103
CVT/ATEX-560-6T	960	9.35	5.40	2.20	17300	53	59	126
CVT/ATEX-630-6T	960	18.88	10.90	4.00	24700	57	61	166

1. The noise level values are pressures in dB(A) measured at a distance of 6 metres in a free field.

## Acoustic characteristics

Sound power spectrum  $L_w(A)$  in dB(A) per Hz frequency band

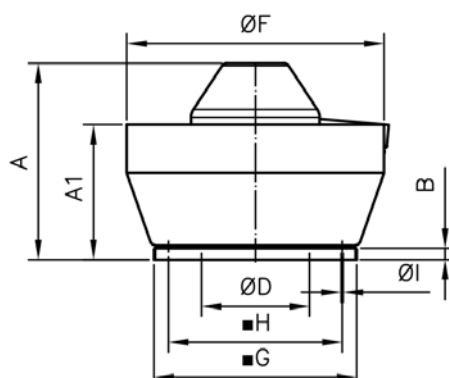
Values measured at inlet with maximum flow rate ( $Q_{max}$ )

	63	125	250	500	1000	2000	4000	8000
CVT/ATEX-200-4T	37	43	54	57	58	54	52	46
CVT/ATEX-225-4T	44	53	58	58	62	61	54	48
CVT/ATEX-250-4T	48	57	62	62	66	65	58	52
CVT/ATEX-315-4T	52	58	64	64	67	70	61	55
CVT/ATEX-315-6T	41	47	53	53	56	59	50	44
CVT/ATEX-400-4T	59	65	71	71	74	77	68	62
CVT/ATEX-400-6T	48	54	60	60	63	66	57	51
CVT/ATEX-450-4T	64	71	76	76	80	79	72	67
CVT/ATEX-450-6T	52	59	64	64	68	67	60	55
CVT/ATEX-500-6T	56	62	67	68	72	71	64	57
CVT/ATEX-560-6T	59	65	70	71	75	74	67	60
CVT/ATEX-630-6T	63	69	74	75	79	78	71	64

Values measured at exhaust with maximum flow rate ( $Q_{max}$ )

	63	125	250	500	1000	2000	4000	8000
CVT/ATEX-200-4T	41	46	60	62	63	63	58	53
CVT/ATEX-225-4T	43	52	62	66	69	66	59	53
CVT/ATEX-250-4T	46	55	65	69	72	69	62	56
CVT/ATEX-315-4T	51	63	71	73	74	74	66	58
CVT/ATEX-315-6T	40	52	60	62	63	63	55	47
CVT/ATEX-400-4T	58	70	78	80	81	81	73	65
CVT/ATEX-400-6T	47	59	67	69	70	70	62	54
CVT/ATEX-450-4T	62	74	82	84	85	82	75	67
CVT/ATEX-450-6T	52	64	72	74	75	72	65	57
CVT/ATEX-500-6T	52	66	74	78	77	74	68	62
CVT/ATEX-560-6T	56	70	78	82	81	78	72	66
CVT/ATEX-630-6T	59	73	81	85	74	81	75	69

## Dimensions mm



	A	A1	B	øD*	øF	G	H	øI
CVT/ATEX-200	472	296	20	250	530	450	360	12
CVT/ATEX-225	490	296	20	250	530	450	360	12
CVT/ATEX-250	562	248	30	355	700	560	450	12
CVT/ATEX-315	592	373	30	355	700	560	450	12
CVT/ATEX-400	669	473	40	500	900	710	590	12
CVT/ATEX-450	685	474	40	500	900	710	590	12
CVT/ATEX-500	752	545	40	630	1100	900	750	14
CVT/ATEX-560	957	678	40	710	1295	1100	900	14
CVT/ATEX-630	1017	676	40	710	1295	1100	900	14

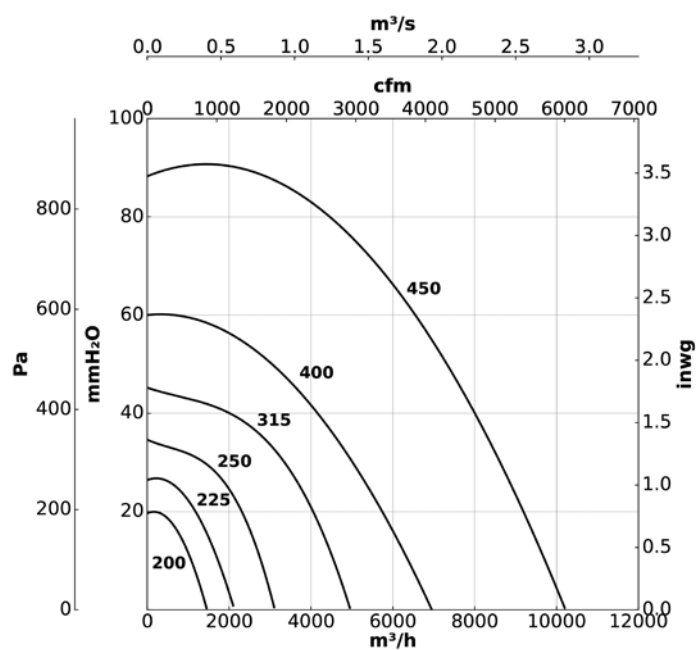
\* Recommended nominal tube diameter

### Characteristic curves

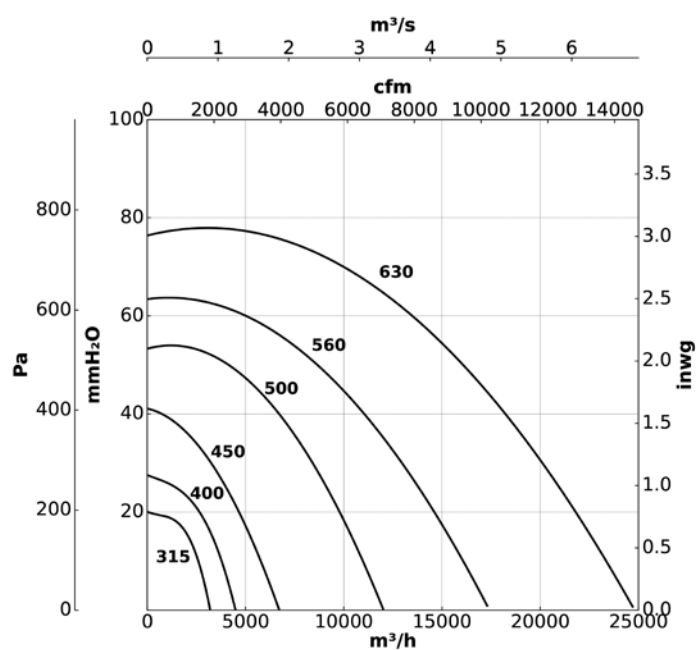
Q= Flow rate in m<sup>3</sup>/h, m<sup>3</sup>/s and cfm

Pe= Static pressure in mm H<sub>2</sub>O, Pa and inwg

#### 4T=1500 r/min

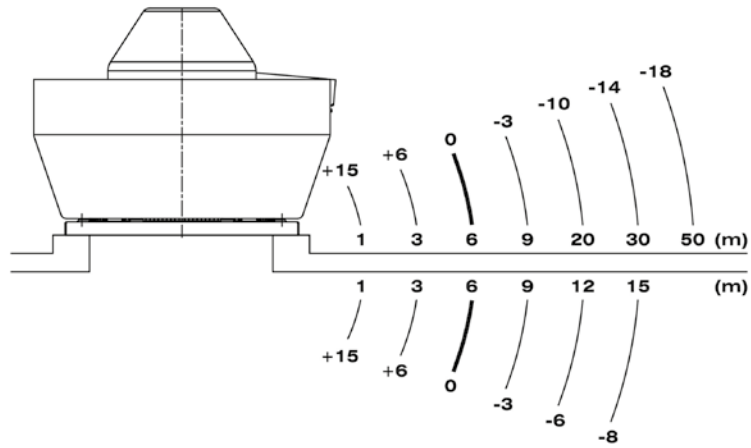


#### 6T=1000 r/min



## Sound pressure variation depending on distance

The noise level may vary depending on the roof or tile structure.



## Accessories



INT/ATEX



B



MS



PA



BS



BSS



PT



ACE ACE/400



S