

CMA/ATEX

Medium pressure centrifugal fans made of cast aluminium, with ATEX 2G or 2D certification and Ex db, Ex eb or Ex tb motor



Notified authority: LOM
 Identification no.: LOM04ATEX0007
 Motor marking:
 Ⓜ II 2G Ex db IIB T4 Gb
 Ⓜ II 2G Ex eb IIB T3 Gb
 Ⓜ II 2G Ex tb IIIC T135 °C Db



Centrifugal medium pressure single inlet fans with cast aluminium casing and impeller. ATEX 2G or 2D certification with flameproof Ex db, increased safety Ex eb or dust ignition proof Ex tb motor to work in explosive gas or dust atmospheres.

Fan:

- Cast aluminium casing.
- Cast aluminium impeller.
- Maximum temperature of air to be carried: -25 °C +80 °C.
- Standard marking with flameproof motor (Ex db): II 2G Ex h IIB T4 Gb.
- Standard marking with increased safety motor (Ex eb): II 2G Ex h IIB T3 Gb.
- Standard marking with motor for dust ignition proof (Ex tb): II 2D Ex h IIIC T135 °C Db.

Motor:

- Class F motors with ball bearings, IP55 protection. ATEX certification flameproof Ex db, increased safety Ex eb or dust ignition proof Ex tb.
- Three-phase 230/400 V 50 Hz (up to 4 kW) and 400/690 V 50 Hz (powers greater than 4 kW).
- Working temperature: -20 °C +40 °C.

Finish:

- Anti-corrosive with ATEX paint, free of iron components, in polyester resin polymerized at 190 °C, after degreasing with phosphate-free nanotechnological treatment.

On request:

- Motors with built-in PTC.
- Special windings for different voltages and frequencies.
- ATEX construction for flammable dust.
- ATEX fan with greater protection than the standard marking.

Order code

CMA/ATEX	—	531	—	2T	—	2	/	2G Ex eb
↓		↓		↓		↓		↓
CMA/ATEX: Medium pressure centrifugal fans made of cast aluminium, with ATEX 2G or 2D certification and Ex db, Ex eb or Ex tb motor		Impeller size		Number of motor poles 2=2900 r/min 50 Hz T = Three-phase		Motor power (HP)		2G Ex eb: for zone 1 and 2 2G Ex db: for zone 1 and 2 2D Ex tb: for zone 21 and 22

Technical characteristics

Model	Speed (r/min)	Maximum admissible current (A)		Installed power (kW)	Maximum flow rate (m³/h)	Sound pressure level ¹ dB (A)		Approx. weight (Kg)	
		230V	400V			Inlet	Ex eb	Ex db	
CMA/ATEX-324-2T	2760	1.21	0.70	0.18	440	60	10	16	
CMA/ATEX-325-2T	2740	1.73	1.00	0.25	605	63	12	19	
CMA/ATEX-426-2T	2790	1.62	0.93	0.37	840	65	14	24	
CMA/ATEX-527-2T	2845	2.21	1.27	0.55	1000	70	17	25	
CMA/ATEX-528-2T-1	2890	3.03	1.74	0.75	1250	72	24	36	
CMA/ATEX-528-2T-1.5	2885	3.93	2.26	1.10	1755	73	27	40	
CMA/ATEX-531-2T-1.5	2885	3.93	2.26	1.10	1790	75	30	43	
CMA/ATEX-531-2T-2	2900	5.67	3.26	1.50	2000	76	31	50	
CMA/ATEX-540-2T	2900	5.67	3.26	1.50	2610	78	38	57	
CMA/ATEX-545-2T-3	2920	8.73	5.02	2.20	2630	79	54	75	
CMA/ATEX-545-2T-4	2900	10.59	6.09	3.00	3575	81	63	87	

1. The noise level values are pressures in dB(A) measured at a distance of 3 metres in a free field.

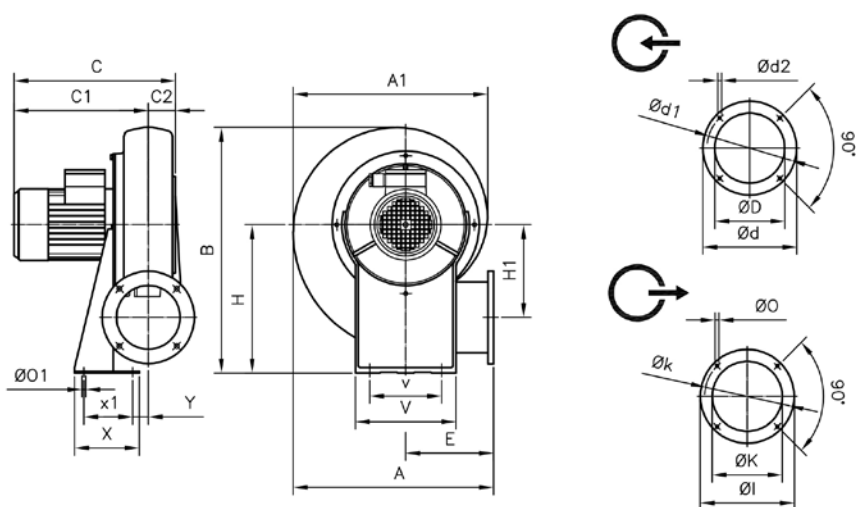
Acoustic characteristics

Sound power spectrum Lw(A) in dB(A) per Hz frequency band
Values measured at inlet with maximum flow rate

	63	125	250	500	1000	2000	4000	8000		63	125	250	500	1000	2000	4000	8000
CMA/ATEX-324-2T	36	50	68	74	78	75	70	61	CMA/ATEX-531-2T-1.5	51	65	83	89	93	90	85	76
CMA/ATEX-325-2T	39	53	71	77	81	78	73	64	CMA/ATEX-531-2T-2	52	66	84	90	94	91	86	77
CMA/ATEX-426-2T	41	55	73	79	83	80	75	66	CMA/ATEX-540-2T	54	67	85	91	96	92	87	79
CMA/ATEX-527-2T	46	60	78	84	88	85	80	71	CMA/ATEX-545-2T-3	55	68	86	92	97	93	88	80
CMA/ATEX-528-2T-1	48	62	80	86	90	87	82	73	CMA/ATEX-545-2T-4	57	70	88	94	99	95	90	82
CMA/ATEX-528-2T-1.5	49	63	81	87	91	88	83	74									

Dimensions mm

324/531 Ex eb

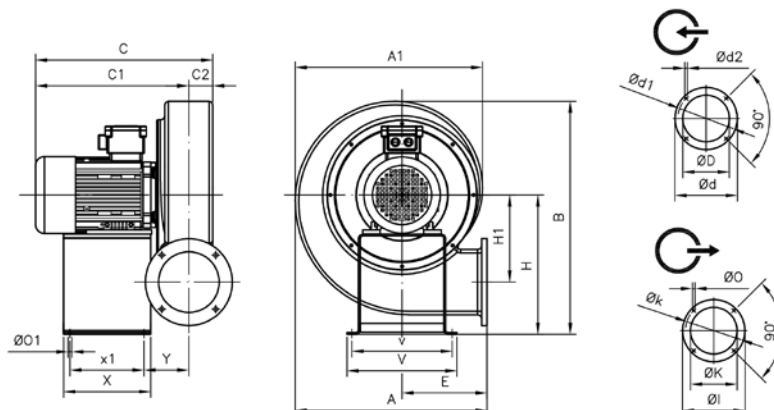


	A	A1	B	C	C1	C2	øD	ød	ød1	ød2	E	H	H1	øI	øK	øk	øO
CMA/ATEX-324-2T	311	302	356	274	236	38	80	130	112	M5	145	205	145	108	62	90	7
CMA/ATEX-325-2T	335	328	399	274	234	40	95	140	122	M6	155	235	152	120	80	102	7
CMA/ATEX-426-2T	358	352	412	298	258	40	117	155	132	M6	162	240	167	140	90	119	7
CMA/ATEX-527-2T	371	361	440	297	255	42	125	170	147	M6	168	260	170	155	100	129	7
CMA/ATEX-528-2T-1	401	395	488	353	302	51	137	190	162	M6	178	290	177	190	130	160	11
CMA/ATEX-528-2T-1.5	401	395	488	355	304	51	137	190	162	M6	178	290	177	190	130	160	11
CMA/ATEX-531-2T-1.5	440	434	537	357	302	55	160	215	180	M6	193	320	200	200	140	175	11
CMA/ATEX-531-2T-2	440	434	537	377	322	55	160	215	180	M6	193	320	200	200	140	175	11

	øO1	V	v	X	x1	Y
CMA/ATEX-324-2T	9	173	125	90	60	20
CMA/ATEX-325-2T	9	180	145	110	80	20
CMA/ATEX-426-2T	13	210	160	105	65	23
CMA/ATEX-527-2T	13	220	170	120	80	16
CMA/ATEX-528-2T-1	13	230	180	140	100	17
CMA/ATEX-528-2T-1.5	13	230	180	140	100	17
CMA/ATEX-531-2T-1.5	13	226	190	160	120	18
CMA/ATEX-531-2T-2	13	226	190	160	120	18

Dimensions mm

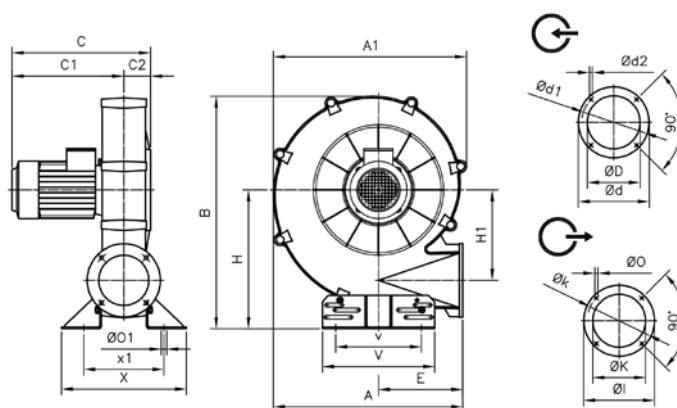
324/531 Ex db



	A	A1	B	C	C1	C2	ØD	Ød	Ød1	Ød2	E	H	H1	Øl	ØK	Øk	ØO
CMA/ATEX-324-2T	311	302	356	339	301	38	80	130	112	M5	145	205	145	108	62	90	7
CMA/ATEX-325-2T	335	328	399	331	291	40	94	140	122	M6	155	235	152	120	80	102	7
CMA/ATEX-426-2T	358	352	412	321	281	40	117	155	132	M6	162	240	163	140	90	119	7
CMA/ATEX-527-2T	371	361	440	332	290	42	125	170	147	M6	168	260	170	155	100	129	7
CMA/ATEX-528-2T-1	401	395	488	368	317	51	137	190	162	M6	178	290	177	190	130	160	11
CMA/ATEX-528-2T-1.5	401	395	488	368	317	51	137	190	162	M6	178	290	177	190	130	160	11
CMA/ATEX-531-2T-1.5	440	434	537	372	317	55	160	215	180	M6	193	320	200	200	140	175	11
CMA/ATEX-531-2T-2	440	434	537	408	353	55	160	215	180	M6	193	320	200	200	140	175	11

	ØO1	V	v	X	x1	Y
CMA/ATEX-324-2T	9	200	180	110	80	93
CMA/ATEX-325-2T	9	200	180	110	80	83.5
CMA/ATEX-426-2T	9	220	190	170	140	80
CMA/ATEX-527-2T	9	220	190	170	140	86
CMA/ATEX-528-2T-1	9	240	210	170	140	111
CMA/ATEX-528-2T-1.5	9	240	210	170	140	111
CMA/ATEX-531-2T-1.5	9	240	210	170	140	108
CMA/ATEX-531-2T-2	9	260	230	200	170	93

540/545 Ex eb/Ex db



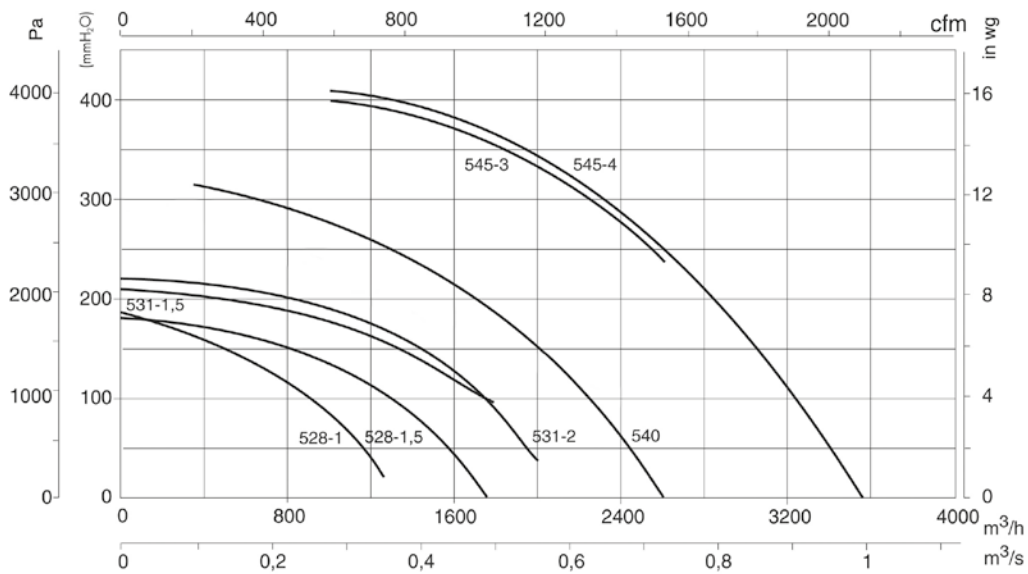
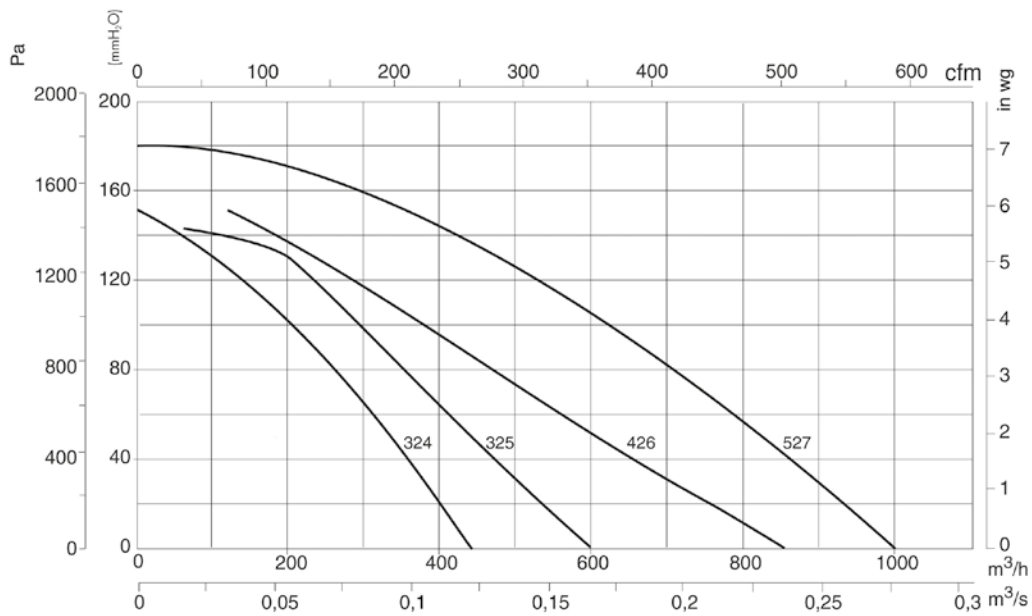
	Ex eb			Ex db			A	A1	B	C	C1	C	C1	C2	ØD	Ød	Ød1	Ød2	E	H	H1	Øl	ØK
CMA/ATEX-540-2T	562	574	695	398	318	434	354	80	170	240	205	M10	252	415	270	220	150						
CMA/ATEX-545-2T-3	643	641	776	448	333	484	369	115	180	255	220	M10	290	450	309	250	175						
CMA/ATEX-545-2T-4	643	641	776	508	393	530	415	115	180	255	220	M10	290	450	309	250	175						

	Øk	ØO	ØO1	V	v	X	x1
CMA/ATEX-540-2T	190	13	11	336	218	374	240
CMA/ATEX-545-2T-3	220	13	13	336	238	392	292
CMA/ATEX-545-2T-4	220	13	13	336	238	392	292

Characteristic curves

Q= Flow rate in m³/h, m³/s and cfm

Pe= Static pressure in mm H₂O, Pa and inwg



Accessories



INT/ATEX



RPA



B



BD



ACE ACE/400



REG



S