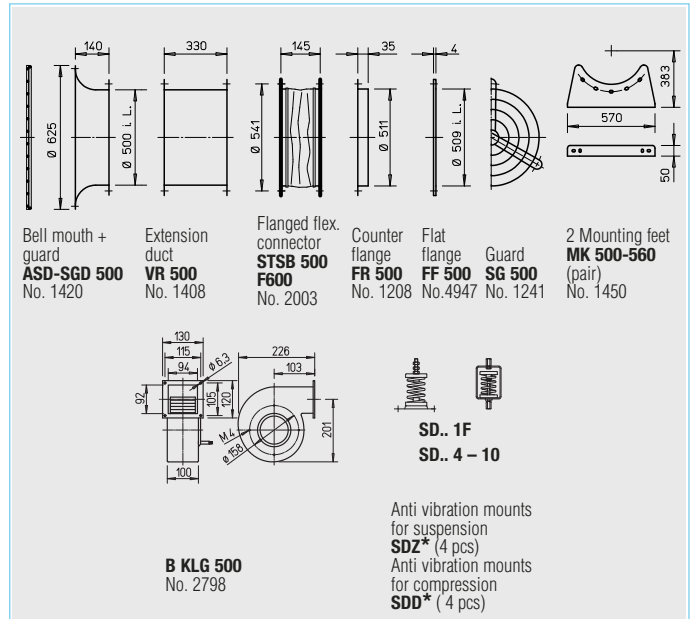
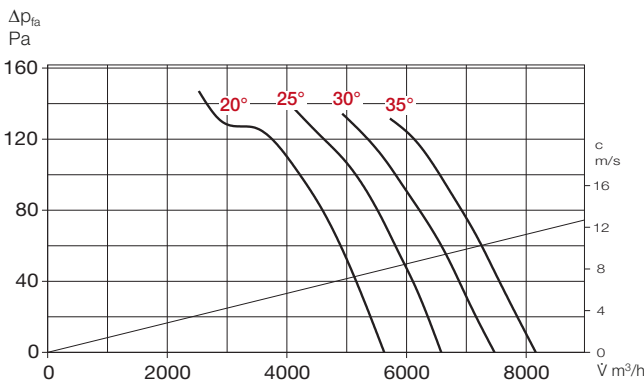


### B AVD 500/4

R.P.M.=1400

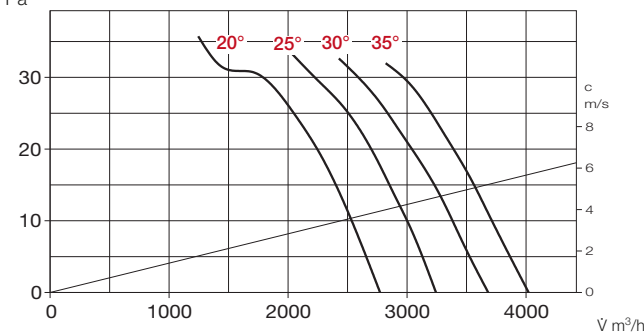
Frequency	Hz	Ges.	125	250	500	1k	2k	4k	8k
L <sub>WA</sub> 10°	dB(A)	78	58	64	73	70	70	66	62
L <sub>WA</sub> 20°	dB(A)	80	60	66	75	72	72	68	64
L <sub>WA</sub> 30°	dB(A)	84	64	70	79	76	76	72	68



### B AVD 500/8

R.P.M.=690

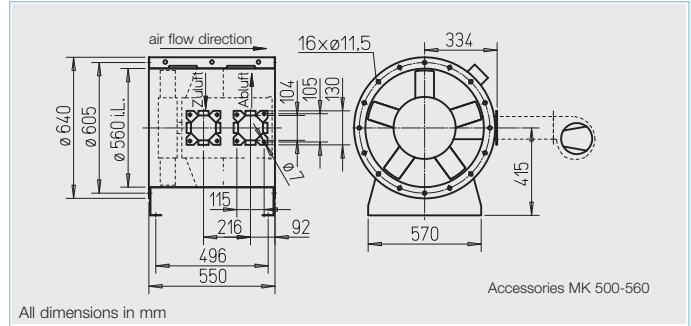
Frequency	Hz	Ges.	125	250	500	1k	2k	4k	8k
L <sub>WA</sub> 10°	dB(A)	58	36	51	53	49	46	40	34
L <sub>WA</sub> 20°	dB(A)	61	39	54	56	52	49	43	37
L <sub>WA</sub> 30°	dB(A)	64	42	57	59	55	52	46	40



Information	Pages
Technical description	16 on
Design of systems	3 on
Accessory details	Pages
Mounting accessories	146 on
Centrifugal cooling fan	147
Attenuators	151
Gas warning systems, circuitry and control technology	152 on

Type	Ref. No.	R.P.M.	Air flow volume (FID)	Motor power (nominal)	Voltage	Current at full load	Pitch angle	Wiring diagram	Max. air flow temp. <sup>1)</sup>	Dim. B Motor protrusion	Nominal weight (net)	Pole switch surface mounted		Anti vibration mounts (nominal size)			
												Type	Ref.No.	Type	Ref.No.	Type	Ref.No.
<b>F600</b> 3 Phase motor, 50 Hz, protection to IP 54																	
B AVD 500/4-20 F600	2804	1410	5660	0,55	400	1,27	20	776	40 / 600	-	64	SDD 1F	1942	SDZ 1F	1943		
B AVD 500/4-25 F600	2805	1410	6630	0,55	400	1,27	25	776	40 / 600	-	64	SDD 1F	1942	SDZ 1F	1943		
B AVD 500/4-30 F600	2806	1410	7520	0,55	400	1,27	30	776	40 / 600	-	64	SDD 1F	1942	SDZ 1F	1943		
B AVD 500/4-35 F600	2807	1410	8280	0,55	400	1,27	35	776	40 / 600	-	64	SDD 1F	1942	SDZ 1F	1943		
<b>F600</b> 2 speed motor, pole-switching (Dahlander winding Y/YY), 400 V / 3 ph./ 50 Hz, protection to IP 54																	
B AVD 500/8/4-20 F600	2808	710/1440	2850/5790	0,15/0,6	400	0,76/1,76	20	471	40 / 600	-	66	PDA 12 <sup>3)</sup>	5081	SDD 1F	1942	SDZ 1F	1943
B AVD 500/8/4-25 F600	2809	710/1440	3340/6770	0,15/0,6	400	0,76/1,76	25	471	40 / 600	-	66	PDA 12 <sup>3)</sup>	5081	SDD 1F	1942	SDZ 1F	1943
B AVD 500/8/4-30 F600	2810	710/1440	3790/7680	0,15/0,6	400	0,76/1,76	30	471	40 / 600	-	66	PDA 12 <sup>3)</sup>	5081	SDD 1F	1942	SDZ 1F	1943
B AVD 500/8/4-35 F600	2811	710/1440	4170/8460	0,15/0,6	400	0,76/1,76	35	471	40 / 600	-	66	PDA 12 <sup>3)</sup>	5081	SDD 1F	1942	SDZ 1F	1943

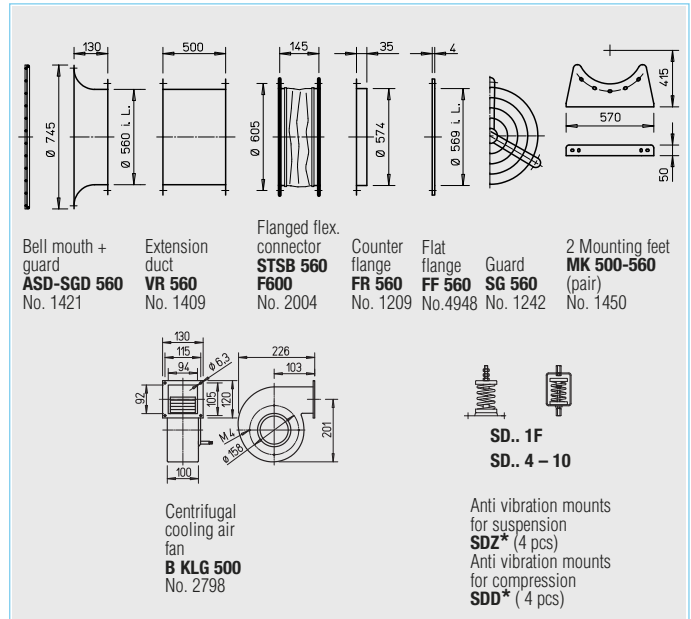
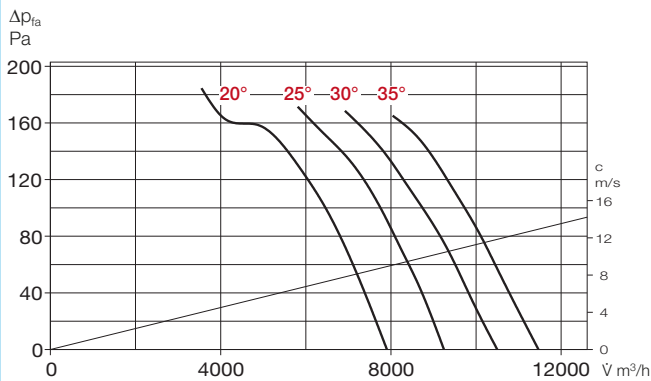
<sup>1)</sup> During ventilation / smoke extraction (nonrecurring 120 min.). <sup>3)</sup> Flush mounted version see product page switches.



### B AVD 560/4

R.P.M. = 1400

Frequency	Hz	Total	125	250	500	1k	2k	4k	8k
L <sub>WA</sub> 10°	dB(A)	80	60	66	75	72	72	68	64
L <sub>WA</sub> 20°	dB(A)	83	63	69	78	75	75	71	67
L <sub>WA</sub> 30°	dB(A)	87	67	73	82	79	79	75	71

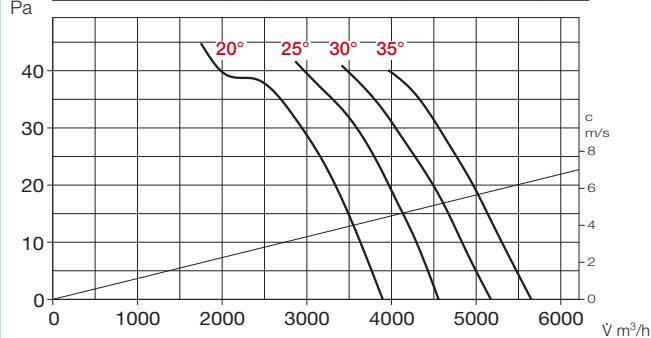


\* Type assignment see table, last column

### B AVD 560/8

R.P.M. = 690

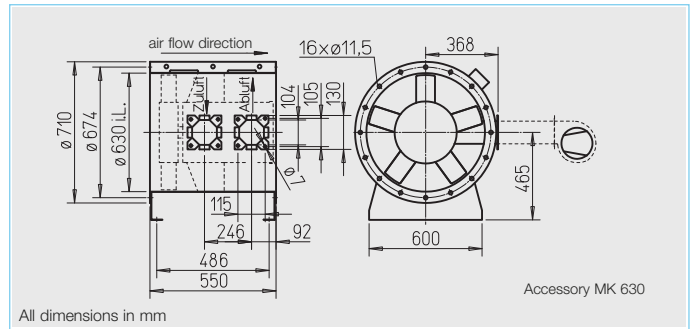
Frequency	Hz	T <sub>ptal</sub>	125	250	500	1k	2k	4k	8k
L <sub>WA</sub> 10°	dB(A)	58	36	51	53	49	46	40	34
L <sub>WA</sub> 20°	dB(A)	61	39	54	56	52	49	43	37
L <sub>WA</sub> 30°	dB(A)	64	42	57	59	55	52	46	40



Information	Pages
Technical description	16 on
Design of systems	3 on
Accessory details	Pages
Mounting accessories	146 on
Centrifugal cooling fan	147
Attenuators	151
Gas warning systems, circuitry and control technology	152 on

Type	Ref. No.	R.P.M.	Air flow volume (FID)	Motor power. (nominal)	Voltage	Current at full load	Pitch angle	Wiring diagram	Max. air flow temp. <sup>1)</sup>	Dim. B Motor protrusion	Nominal weight (net)	Pole switch surface mounted		Anti vibration mounts (nominal size)			
												Type	Ref.No.	Type	Ref.No.		
<b>F600</b> 3 Phase motor, 50 Hz, protection to IP 54																	
B AVD 560/4-20 F600	2819	1410	7960	0,55	400	1,27	20	776	40 / 600	-	71		SDD 1F	1942	SDZ 1F	1943	
B AVD 560/4-25 F600	2820	1410	9310	0,75	400	1,63	25	776	40 / 600	-	74		SDD 1F	1942	SDZ 1F	1943	
B AVD 560/4-30 F600	2821	1410	10570	0,75	400	1,63	30	776	40 / 600	-	74		SDD 1F	1942	SDZ 1F	1943	
B AVD 560/4-35 F600	2822	1440	11630	1,10	400	2,40	35	776	40 / 600	-	79		SDD 1F	1942	SDZ 1F	1943	
<b>F600</b> 2 speed motor, pole-switching (Dahlander winding Y/YY), 400 V / 3 ph./ 50 Hz, protection to IP 54																	
B AVD 560/8/4-20 F600	2823	710/1440	4010/8130	0,15/0,6	400	0,76/1,76	20	471	40 / 600	-	73	PDA 12 <sup>3)</sup>	5081	SDD 1F	1942	SDZ 1F	1943
B AVD 560/8/4-25 F600	2824	690/1415	4560/9340	0,2/0,8	400	0,88/1,99	25	471	40 / 600	-	73	PDA 12 <sup>3)</sup>	5081	SDD 1F	1942	SDZ 1F	1943
B AVD 560/8/4-30 F600	2825	690/1415	5170/10610	0,2/0,8	400	0,88/1,99	30	471	40 / 600	-	73	PDA 12 <sup>3)</sup>	5081	SDD 1F	1942	SDZ 1F	1943
B AVD 560/8/4-35 F600	2826	705/1430	5820/11800	0,3/1,2	400	1,29/2,92	35	471	40 / 600	-	75	PDA 12 <sup>3)</sup>	5081	SDD 1F	1942	SDZ 1F	1943

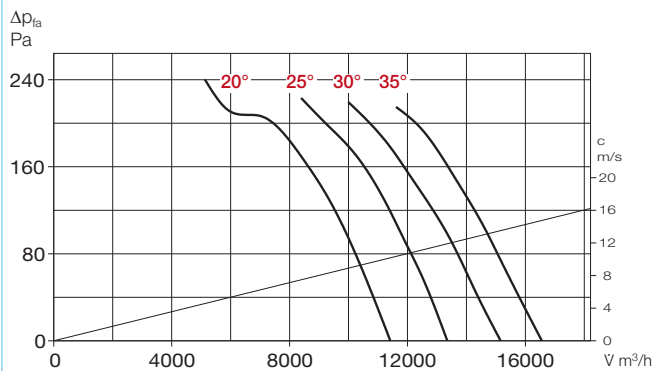
<sup>1)</sup> During ventilation / smoke extraction (nonrecurring 120 min.). <sup>3)</sup> Flush mounted version see product page switches.



### B AVD 630/4

R.P.M. = 1420

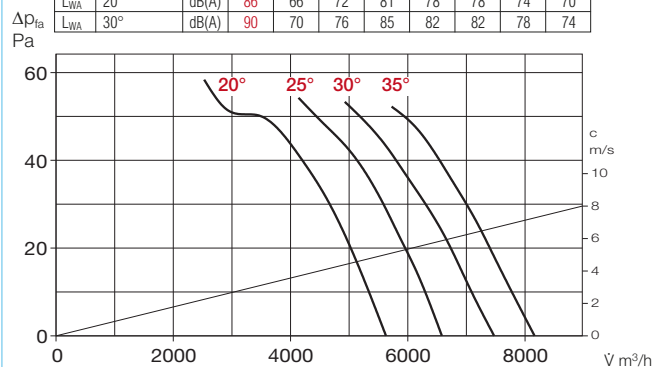
Frequency	Hz	Total	125	250	500	1k	2k	4k	8k
L <sub>WA</sub> 10°	dB(A)	83	63	69	78	75	75	71	67
L <sub>WA</sub> 20°	dB(A)	86	66	72	81	78	78	74	70
L <sub>WA</sub> 30°	dB(A)	90	70	76	85	82	82	78	74



### B AVD 630/8

R.P.M. = 700

Frequency	Hz	Total	125	250	500	1k	2k	4k	8k
L <sub>WA</sub> 10°	dB(A)	83	63	69	78	75	75	71	67
L <sub>WA</sub> 20°	dB(A)	86	66	72	81	78	78	74	70
L <sub>WA</sub> 30°	dB(A)	90	70	76	85	82	82	78	74

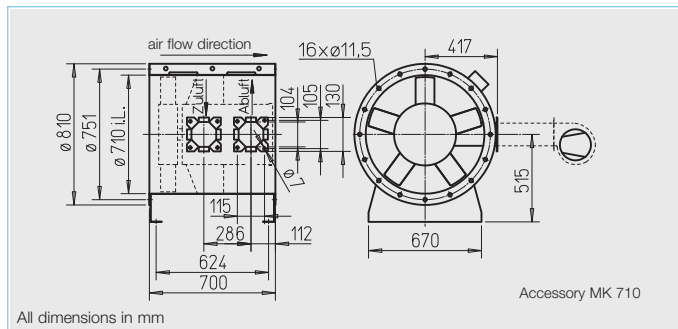


Information	Pages
Technical description	16 on
Design of systems	3 on
Accessory details	Pages
Mounting accessories	146 on
Centrifugal cooling fan	147
Attenuators	151
Gas warning systems, circuitry and control technology	152 on

\* Type assignment see table, last column

Type	Ref. No.	R.P.M.	Air flow volume (FID)	Motor power. (nominal)	Voltage	Current at full load	Pitch angle	Wiring diagram	Max. air flow temp. <sup>1)</sup>	Dim. B Motor protrusion	Nominal weight (net)	Pole switch surface mounted		Anti vibration mounts (nominal size)			
												Type	Ref.No.	Type	Ref.No.		
<b>F600</b> 3 Phase motor, 50 Hz, protection to IP 54																	
B AVD 630/4-20 F600	2834	1440	11580	1,10	400	2,40	20	776	40 / 600	-	86	SDD 4	1944	SDZ 4	1945		
B AVD 630/4-25 F600	2835	1440	13540	1,10	400	2,40	25	776	40 / 600	-	86	SDD 4	1944	SDZ 4	1945		
B AVD 630/4-30 F600	2836	1440	15370	1,50	400	3,26	30	776	40 / 600	-	89	SDD 4	1944	SDZ 4	1945		
B AVD 630/4-35 F600	2837	1425	16740	2,20	400	4,64	35	776	40 / 600	-	98	SDD 4	1944	SDZ 4	1945		
<b>F600</b> 2 speed motor, pole-switching (Dahlander winding Y/YY), 400 V / 3 ph./ 50 Hz, protection to IP 54																	
B AVD 630/8/4-20 F600	2838	705/1430	5670/11500	0,3/1,2	400	1,29/2,92	20	471	40 / 600	-	82	PDA 12 <sup>3)</sup>	5081	SDD 4	1944	SDZ 4	1945
B AVD 630/8/4-25 F600	2839	705/1430	6630/13450	0,3/1,2	400	1,29/2,92	25	471	40 / 600	-	82	PDA 12 <sup>3)</sup>	5081	SDD 4	1944	SDZ 4	1945
B AVD 630/8/4-30 F600	2840	700/1420	7470/15160	0,4/1,6	400	1,69/3,80	30	471	40 / 600	-	86	PDA 12 <sup>3)</sup>	5081	SDD 4	1944	SDZ 4	1945
B AVD 630/8/4-35 F600	2841	700/1430	8220/16800	0,55/2,2	400	2,00/4,84	35	471	40 / 600	-	92	PDA 12 <sup>3)</sup>	5081	SDD 4	1944	SDZ 4	1945

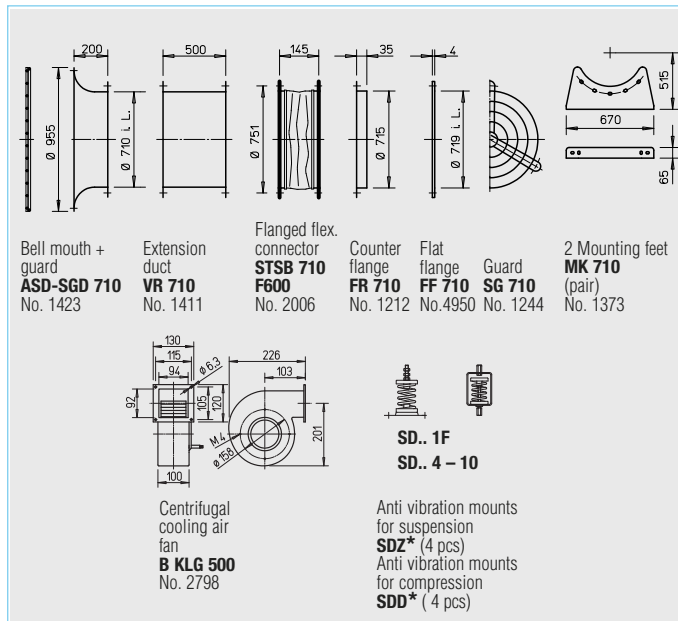
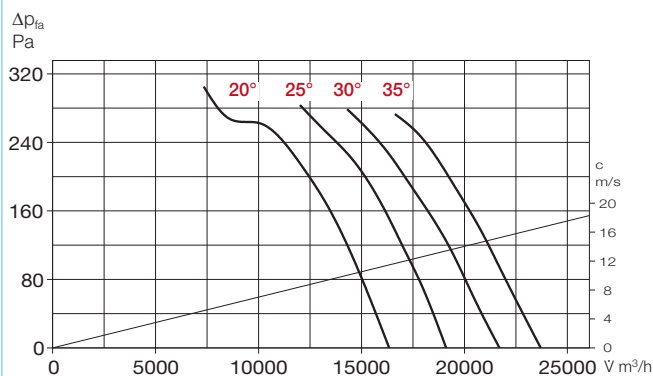
<sup>1)</sup> During ventilation / smoke extraction (nonrecurring 120 min.). <sup>3)</sup> Flush mounted version see product page switches.



### B AVD 710/4

R.P.M. = 1420

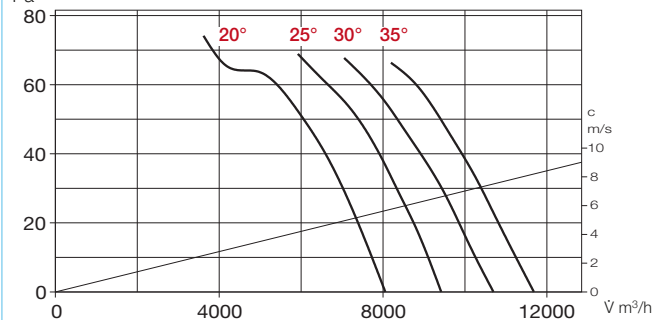
Frequency	Hz	Total	125	250	500	1k	2k	4k	8k
L <sub>WA</sub> 10°	dB(A)	95	76	87	89	87	86	78	70
L <sub>WA</sub> 20°	dB(A)	97	78	89	91	89	88	80	72
L <sub>WA</sub> 30°	dB(A)	99	80	91	93	91	90	82	74



### B AVD 710/8

R.P.M. = 700

Frequency	Hz	Total	125	250	500	1k	2k	4k	8k
L <sub>WA</sub> 10°	dB(A)	75	57	64	69	69	65	63	61
L <sub>WA</sub> 20°	dB(A)	77	59	66	71	71	67	65	63
L <sub>WA</sub> 30°	dB(A)	78	60	67	72	72	68	66	64

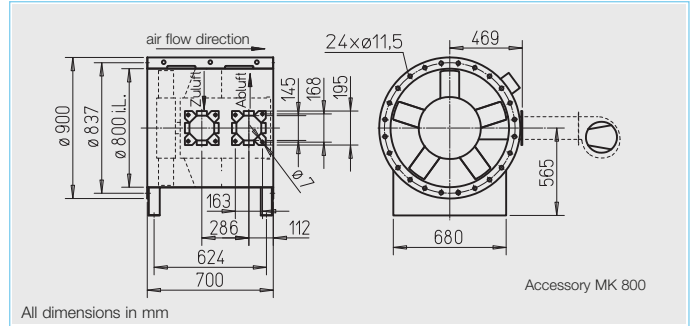


Information	Pages
Technical description	16 on
Design of systems	3 on
Accessory details	Pages
Mounting accessories	146 on
Centrifugal cooling fan	147
Attenuators	151
Gas warning systems, circuitry and control technology	152 on

\* Type assignment see table, last column

Type	Ref. No.	R.P.M.	Air flow volume (FID)	Motor power (nominal)	Voltage	Current at full load	Pitch angle	Wiring diagram	Max. air flow temp. <sup>1)</sup>	Dim. B Motor protrusion	Nominal weight (net)	Pole switch surface mounted		Anti vibration mounts (nominal size)			
												Type	Ref.No.	Type	Ref.No.		
<b>F600 3 Phase motor, 50 Hz, protection to IP 54</b>																	
B AVD 710/4-20 F600	2845	1425	16400	2,20	400	4,64	20	776	40 / 600	-	130		SDD 4	1944	SDZ 4	1945	
B AVD 710/4-25 F600	2846	1425	19180	2,20	400	4,64	25	776	40 / 600	-	130		SDD 4	1944	SDZ 4	1945	
B AVD 710/4-30 F600	2847	1420	21700	3,00	400	6,17	30	776	40 / 600	-	133		SDD 4	1944	SDZ 4	1945	
B AVD 710/4-35 F600	2848	1440	24220	4,00	400	8,12	35	776	40 / 600	-	141		SDD 5	1924	SDZ 5	1925	
<b>F600 2 speed motor, pole-switching (Dahlander winding Y/YY), 400 V / 3 ph./ 50 Hz, protection to IP 54</b>																	
B AVD 710/8/4-20 F600	2849	700/1430	8060/16460	0,55/2,2	400	2,00/4,84	20	471	40 / 600	-	124	PDA 12 <sup>3)</sup>	5081	SDD 4	1944	SDZ 4	1945
B AVD 710/8/4-25 F600	2850	700/1430	9420/19250	0,55/2,2	400	2,00/4,84	25	471	40 / 600	-	124	PDA 12 <sup>3)</sup>	5081	SDD 4	1944	SDZ 4	1945
B AVD 710/8/4-30 F600	2851	690/1410	10540/21550	0,70/2,8	400	2,41/6,01	30	471	40 / 600	-	127	PDA 12 <sup>3)</sup>	5081	SDD 4	1944	SDZ 4	1945
B AVD 710/8/4-35 F600	2852	710/1440	11940/24220	1,00/3,8	400	2,75/8,26	35	471	40 / 600	-	137	PDA 12 <sup>3)</sup>	5081	SDD 5	1924	SDZ 5	1925

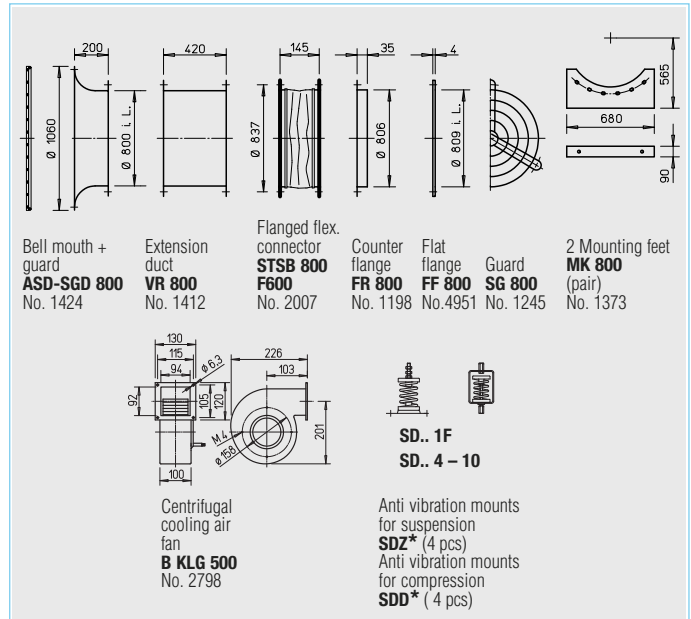
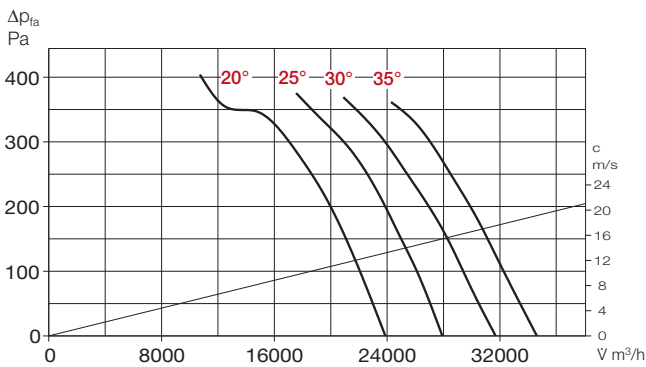
<sup>1)</sup> During ventilation / smoke extraction (nonrecurring 120 min.). <sup>3)</sup> Flush mounted version see product page switches.



### B AVD 800/4

R.P.M. = 1450

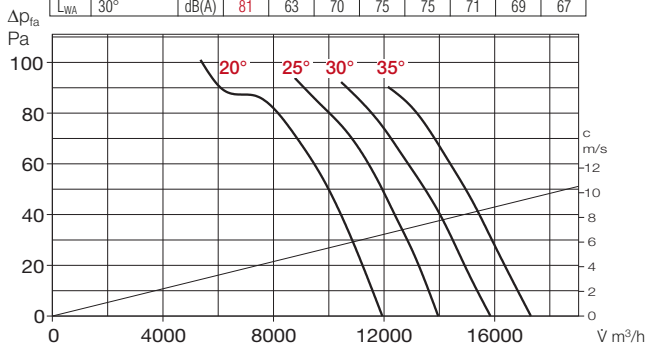
Frequency	Hz	Total	125	250	500	1k	2k	4k	8k
L <sub>WA</sub> 10°	dB(A)	98	79	90	92	90	89	81	73
L <sub>WA</sub> 20°	dB(A)	100	81	92	94	92	91	83	75
L <sub>WA</sub> 30°	dB(A)	102	83	94	96	94	93	85	77



### B AVD 800/8

R.P.M. = 725

Frequency	Hz	Total	125	250	500	1k	2k	4k	8k
L <sub>WA</sub> 10°	dB(A)	78	60	67	72	72	68	66	64
L <sub>WA</sub> 20°	dB(A)	80	62	69	74	74	70	68	66
L <sub>WA</sub> 30°	dB(A)	81	63	70	75	75	71	69	67

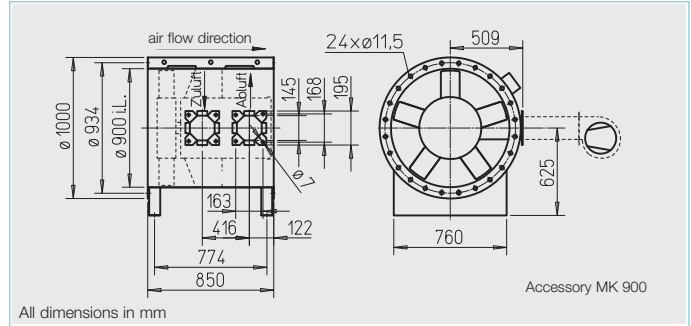


Information	Pages
Technical description	16 on
Design of systems	3 on
Accessory details	Pages
Mounting accessories	146 on
Centrifugal cooling fan	147
Attenuators	151
Gas warning systems, circuitry and control technology	152 on

\* Type assignment see table, last column

Type	Ref. No.	R.P.M.	Air flow volume (FID)	Motor power. (nominal)	Voltage	Current at full load	Pitch angle	Wiring diagram	Max. air flow temp. <sup>1)</sup>	Dim. B Motor protrusion	Nominal weight (net)	Pole switch surface mounted		Anti vibration mounts (nominal size)			
												Type	Ref.No.	Type	Ref.No.		
<b>F600</b> 3 Phase motor, 50 Hz, protection to IP 54																	
B AVD 800/4-20 F600	2855	1420	23380	3,00	400	6,17	20	776	40 / 600	-	151		SDD 5	1924	SDZ 5	1925	
B AVD 800/4-25 F600	2856	1440	27720	4,00	400	8,12	25	776	40 / 600	-	160		SDD 5	1924	SDZ 5	1925	
B AVD 800/4-30 F600	2857	1460	31920	5,50	400	6,09	30	776	40 / 600	-	181		SDD 5	1924	SDZ 5	1925	
B AVD 800/4-35 F600	2858	1455	35010	7,50	400	8,17	35	776	40 / 600	-	190		SDD 5	1924	SDZ 5	1925	
<b>F600</b> 2 speed motor, pole-switching (Dahlander winding Y/YY), 400 V / 3 ph. / 50 Hz, protection to IP 54																	
B AVD 800/8/4-20 F600	2859	690/1410	11360/23210	0,7/2,8	400	2,41/6,01	20	471	40 / 600	-	145	PDA 12 <sup>1)</sup>	5081	SDD 5	1924	SDZ 5	1925
B AVD 800/8/4-25 F600	2860	710/1440	13670/27720	1,0/3,8	400	2,75/8,26	25	471	40 / 600	-	156	PDA 12 <sup>1)</sup>	5081	SDD 5	1924	SDZ 5	1925
B AVD 800/8/4-30 F600	2861	730/1440	15960/31400	1,3/5,0	400	3,50/10,4	30	471	40 / 600	-	187	PDA 12 <sup>1)</sup>	5081	SDD 5	1924	SDZ 5	1925
B AVD 800/8/4-35 F600	2862	725/1430	17440/34400	1,8/7,2	400	4,64/14,4	35	471	40 / 600	-	198	PDA 25	5060	SDD 5	1924	SDZ 5	1925

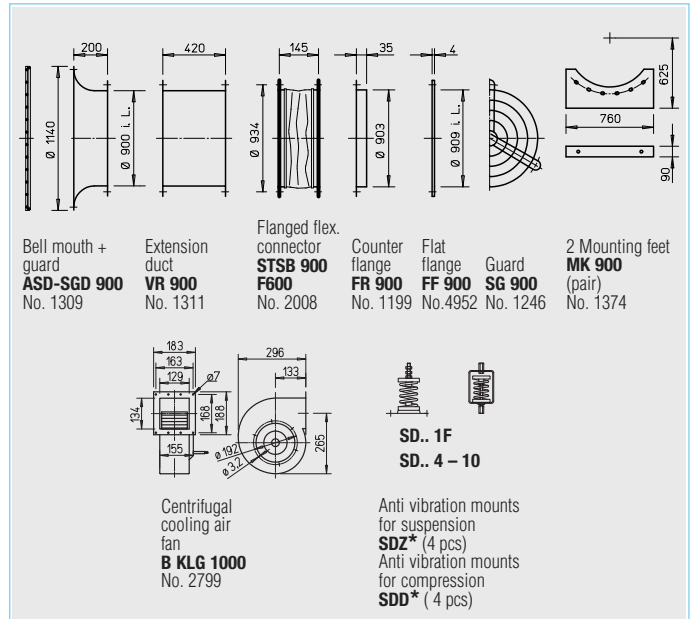
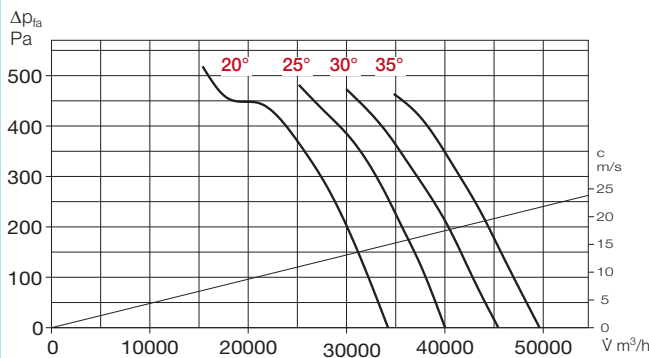
<sup>1)</sup> During ventilation / smoke extraction (nonrecurring 120 min.). <sup>3)</sup> Flush mounted version see product page switches.



### B AVD 900/4

R.P.M. = 1460

Frequency	Hz	Total	125	250	500	1k	2k	4k	8k
L <sub>WA</sub> 10°	dB(A)	98	70	84	90	94	92	84	76
L <sub>WA</sub> 20°	dB(A)	100	72	86	92	96	94	86	78
L <sub>WA</sub> 30°	dB(A)	104	76	90	96	100	98	90	82

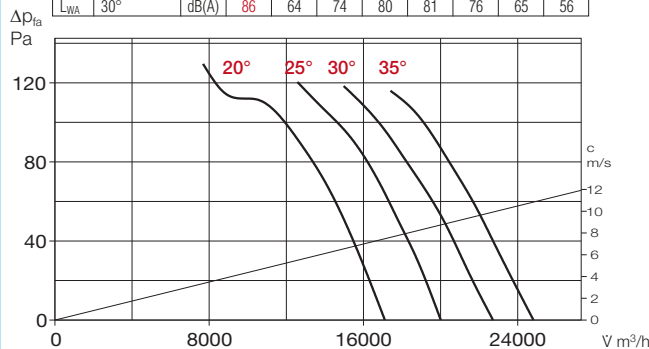


\* Type assignment see table, last column

### B AVD 900/8

R.P.M. = 730

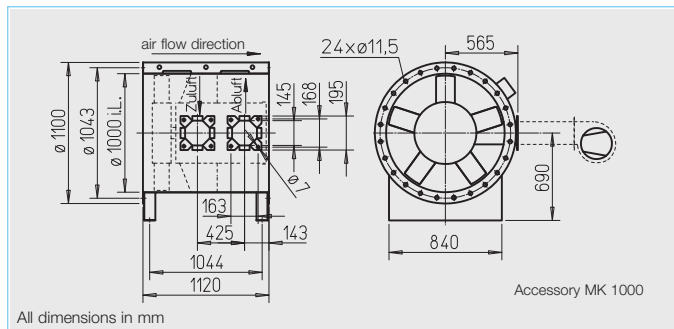
Frequency	Hz	Total	125	250	500	1k	2k	4k	8k
L <sub>WA</sub> 10°	dB(A)	80	58	68	74	75	70	59	50
L <sub>WA</sub> 20°	dB(A)	82	60	70	76	77	72	61	52
L <sub>WA</sub> 30°	dB(A)	86	64	74	80	81	76	65	56



Information	Pages
Technical description	16 on
Design of systems	3 on
Accessory details	Pages
Mounting accessories	146 on
Centrifugal cooling fan	147
Attenuators	151
Gas warning systems, circuitry and control technology	152 on

Type	Ref. No.	R.P.M.	Air flow volume (FID)	Motor power. (nominal)	Voltage	Current at full load	Pitch angle	Wiring diagram	Max. air flow temp. <sup>1)</sup>	Dim. B Motor protrusion	Nominal weight (net)	Pole switch surface mounted		Anti vibration mounts (nominal size)			
												Type	Ref.No.	Type	Ref.No.		
<b>F600</b> 3 Phase motor, 50 Hz, protection to IP 54																	
B AVD 900/4-20 F600	2865	1460	34220	5,50	400	10,50	20	776	40 / 600	-	210		SDD 5	1924	SDZ 5	1925	
B AVD 900/4-25 F600	2866	1455	39880	7,50	400	14,10	25	776	40 / 600	-	219		SDD 6	1926	SDZ 6	1927	
B AVD 900/4-30 F600	2867	1470	45750	11,0	400	21,20	30	776	40 / 600	-	252		SDD 6	1926	SDZ 6	1927	
B AVD 900/4-35 F600	2868	1465	50180	15,0	400	28,70	35	776	40 / 600	-	272		SDD 6	1926	SDZ 6	1927	
<b>F600</b> 2 speed motor, pole-switching (Dahlander winding Y/YY), 400 V / 3 ph. / 50 Hz, protection to IP 54																	
B AVD 900/8/4-20 F600	2869	730/1440	17110/33760	1,3/5,0	400	3,50/10,4	20	471	40 / 600	-	216	PDA 12 <sup>3)</sup>	5081	SDD 6	1926	SDZ 6	1927
B AVD 900/8/4-25 F600	2870	725/1430	19870/39200	1,8/7,2	400	6,64/14,4	25	471	40 / 600	-	227	PDA 25	5060	SDD 6	1926	SDZ 6	1927
B AVD 900/8/4-30 F600	2871	725/1455	22570/45290	3,0/11,0	400	7,00/21,0	30	471	40 / 600	-	266	PDA 25	5060	SDD 6	1926	SDZ 6	1927
B AVD 900/8/4-35 F600	2872	730/1475	25010/50530	4,3/17,0	400	12,7/33,4	35	471	40 / 600	-	309	PDA 25	5060	SDD 6	1926	SDZ 6	1927

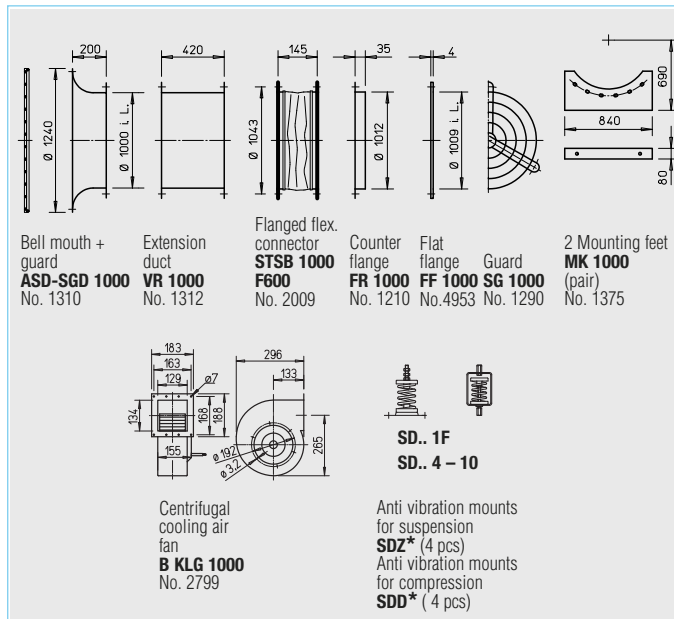
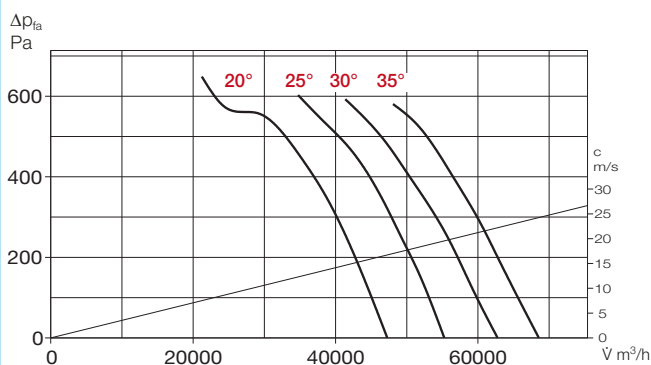
<sup>1)</sup> During ventilation / smoke extraction (nonrecurring 120 min.). <sup>3)</sup> Flush mounted version see product page switches.



### B AVD 1000/4

R.P.M. = 1470

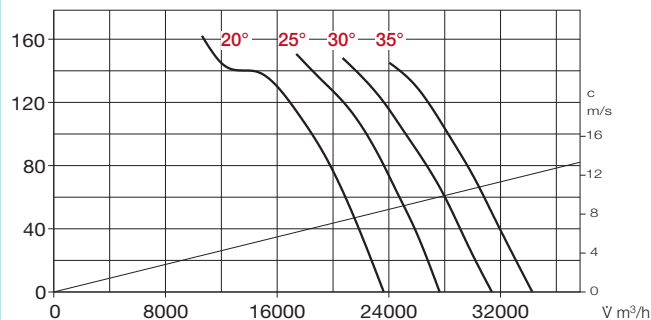
Frequency	Hz	Total	125	250	500	1k	2k	4k	8k
L <sub>WA</sub> 10°	dB(A)	101	73	87	93	97	95	87	79
L <sub>WA</sub> 20°	dB(A)	103	75	89	95	99	97	89	81
L <sub>WA</sub> 30°	dB(A)	107	79	93	99	103	101	93	85



### B AVD 1000/8

R.P.M. = 735

Frequency	Hz	Total	125	250	500	1k	2k	4k	8k
L <sub>WA</sub> 10°	dB(A)	83	61	71	77	78	73	62	53
L <sub>WA</sub> 20°	dB(A)	85	63	73	79	80	75	64	55
L <sub>WA</sub> 30°	dB(A)	89	67	77	83	84	79	68	59

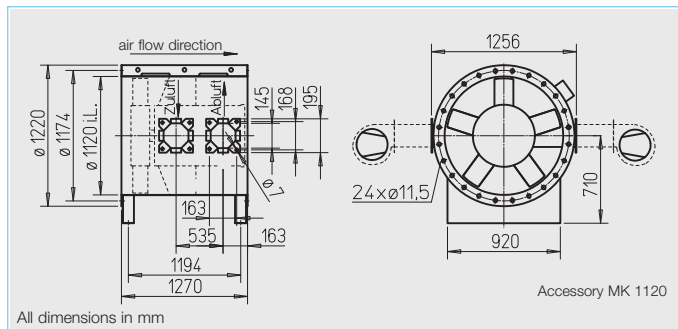


Information	Pages
Technical description	16 on
Design of systems	3 on
Accessory details	Pages
Mounting accessories	146 on
Centrifugal cooling fan	147
Attenuators	151
Gas warning systems, circuitry and control technology	152 on

\* Type assignment see table, last column

Type	Ref. No.	R.P.M.	Air flow volume (FID)	Motor power (nominal)	Voltage	Current at full load	Pitch angle	Wiring diagram	Max. air flow temp. <sup>1)</sup>	Dim. B Motor protrusion	Nominal weight (net)	Pole switch surface mounted		Anti vibration mounts (nominal size)			
												Type	Ref.No.	Type	Ref.No.	Type	Ref.No.
<b>F600 3 Phase motor, 50 Hz, protection to IP 54</b>																	
B AVD 1000/4-20 F600	2875	1470	47270	11,0	400	21,20	20	776	40 / 600	-	314		SDD 6	1926	SDZ 6	1927	
B AVD 1000/4-25 F600	2876	1465	55090	15,0	400	28,70	25	776	40 / 600	-	334		SDD 6	1926	SDZ 6	1927	
B AVD 1000/4-30 F600	2877	1465	62550	15,0	400	28,70	30	776	40 / 600	-	334		SDD 6	1926	SDZ 6	1927	
B AVD 1000/4-35 F600	2878	1465	68840	22,0	400	40,50	35	776	40 / 600	-	395		SDD 6	1926	SDZ 6	1927	
<b>F600 2 speed motor, pole-switching (Dahlander winding Y/YY), 400 V / 3 ph./ 50 Hz, protection to IP 54</b>																	
B AVD 1000/8/4-20 F600	2879	725/1455	23310/46780	3,0/11,0	400	7,0/21,0	20	471	40 / 600	-	328	PDA 25	5060	SDD 6	1926	SDZ 6	1927
B AVD 1000/8/4-25 F600	2880	730/1475	27450/54460	4,3/17,0	400	12,7/33,4	25	471	40 / 600	-	371	PDA 25	5060	SDD 6	1926	SDZ 6	1927
B AVD 1000/8/4-30 F600	2881	730/1475	31170/62980	4,3/17,0	400	12,7/33,4	30	471	40 / 600	-	371	PDA 25	5060	SDD 6	1926	SDZ 6	1927
B AVD 1000/8/4-35 F600	2882	730/1470	34300/69070	5,0/20,0	400	14,1/38,6	35	471	40 / 600	-	386	PDA 63	1283	SDD 6	1926	SDZ 6	1927

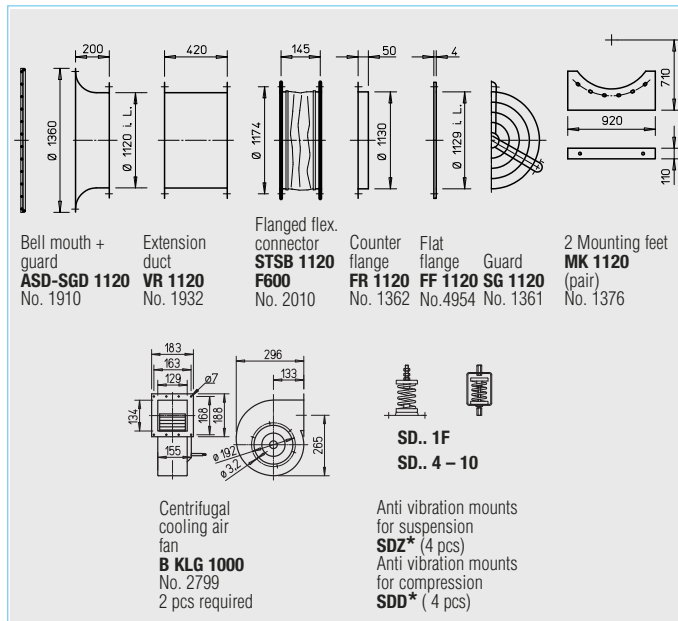
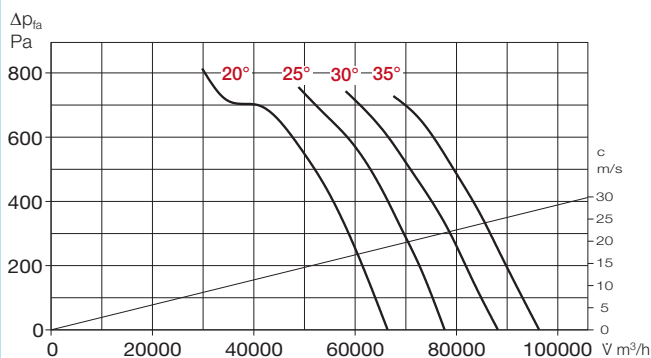
<sup>1)</sup> During ventilation / smoke extraction (nonrecurring 120 min.).



### B AVD 1120/4

R.P.M. = 1470

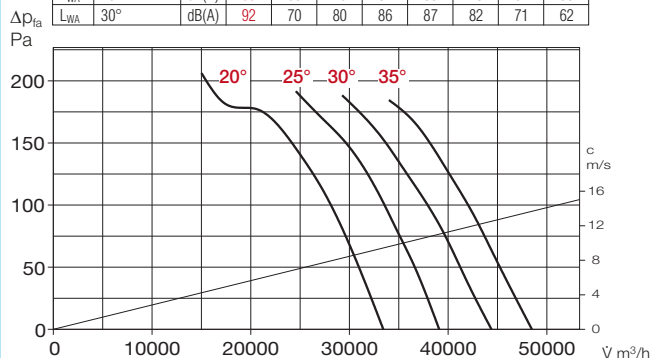
Frequency	Hz	Total	125	250	500	1k	2k	4k	8k
L <sub>WA</sub> 10°	dB(A)	104	75	92	98	99	94	89	84
L <sub>WA</sub> 20°	dB(A)	107	78	95	101	102	97	92	87
L <sub>WA</sub> 30°	dB(A)	110	81	98	104	105	100	95	90



### B AVD 1120/8

R.P.M. = 740

Frequency	Hz	Total	125	250	500	1k	2k	4k	8k
L <sub>WA</sub> 10°	dB(A)	85	63	73	79	80	75	64	55
L <sub>WA</sub> 20°	dB(A)	88	66	76	82	83	78	67	58
L <sub>WA</sub> 30°	dB(A)	92	70	80	86	87	82	71	62



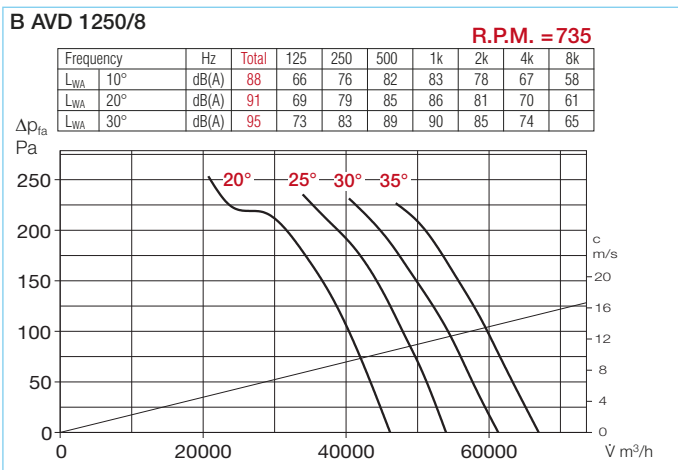
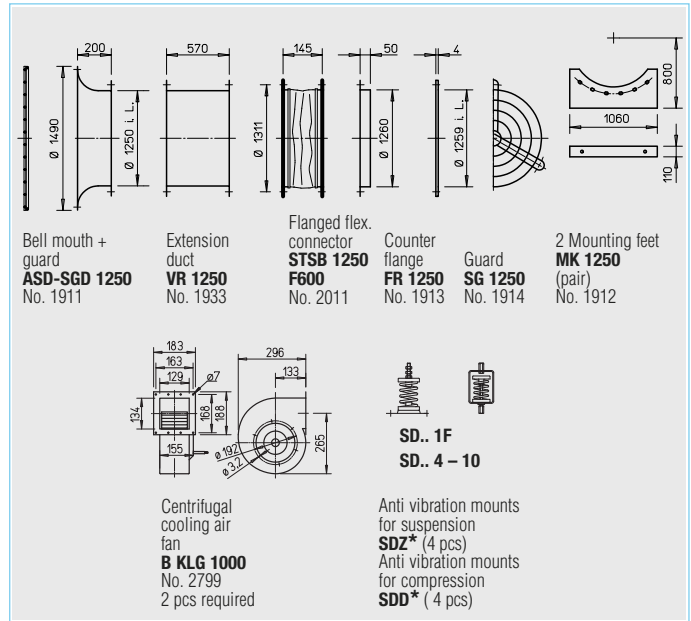
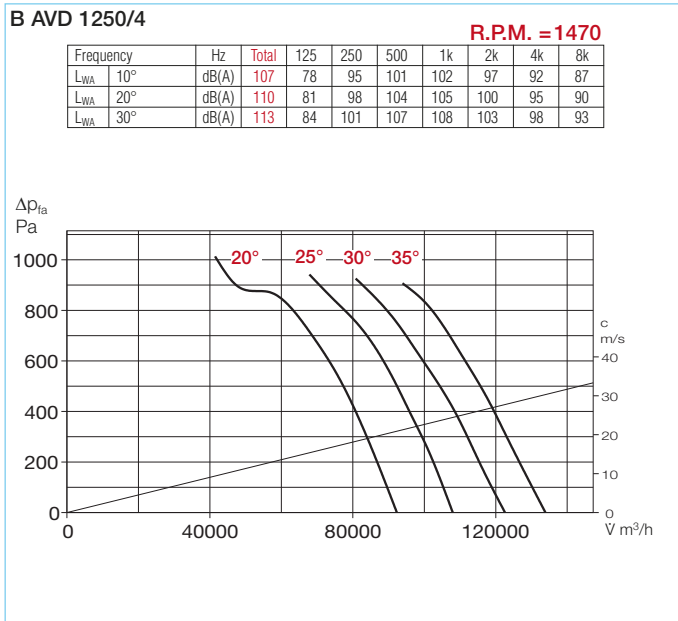
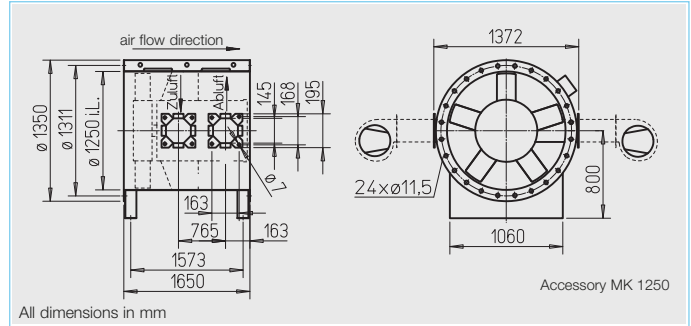
Information	Pages
Technical description	16 on
Design of systems	3 on
Accessory details	Pages
Mounting accessories	146 on
Centrifugal cooling fan	147
Attenuators	151
Gas warning systems, circuitry and control technology	152 on

\* Type assignment see table, last column

Type	Ref. No.	R.P.M.	Air flow volume (FID)	Motor power. (nominal)	Voltage	Current at full load	Pitch angle	Wiring diagram	Max. air flow temp. <sup>1)</sup>	Dim. B Motor protrusion	Nominal weight (net)	Pole switch surface mounted		Anti vibration mounts (nominal size)			
												Type	Ref.No.	Type	Ref.No.	Type	Ref.No.
<b>F600 3 Phase motor, 50 Hz, protection to IP 54</b>																	
B AVD 1120/4-20 F600	2885	1465	66180	18,5	400	35,10	20	776	40 / 600	-	446	SDD 7	1928	SDZ 7	1929		
B AVD 1120/4-25 F600	2886	1465	77390	22,0	400	40,50	25	776	40 / 600	-	468	SDD 7	1928	SDZ 7	1929		
B AVD 1120/4-30 F600	2887	1470	88180	30,0	400	56,20	30	776	40 / 600	-	504	SDD 7	1928	SDZ 7	1929		
B AVD 1120/4-35 F600	2888	1475	97370	37,0	400	66,60	35	776	40 / 600	-	624	SDD 8	1930	SDZ 8	1931		
<b>F600 2 speed motor, pole-switching (Dahlander winding Y/YY), 400 V / 3 ph / 50 Hz, protection to IP 54</b>																	
B AVD 1120/8/4-20 F600	2889	730/1470	32980/66410	5,0/20,0	400	14,1/38,6	20	471	40 / 600	-	459	PDA 63	1263	SDD 7	1928	SDZ 7	1929
B AVD 1120/8/4-25 F600	2890	735/1480	38830/78190	6,5/28,0	400	18,0/52,0	25	471	40 / 600	-	517	PDA 63	1263	SDD 7	1928	SDZ 7	1929
B AVD 1120/8/4-30 F600	2891	735/1480	44090/88780	6,5/28,0	400	18,0/52,0	30	471	40 / 600	-	517	PDA 63	1263	SDD 7	1928	SDZ 7	1929
B AVD 1120/8/4-35 F600	2892	740/1485	48550/98030	9,2/37,0	400	25,4/74,2	35	471	40 / 600	-	642	PDA 115	1352	SDD 8	1930	SDZ 8	1931

<sup>1)</sup> During ventilation / smoke extraction (nonrecurring 120 min.).





Information	Pages
Technical description	16 on
Design of systems	3 on
Accessory details	Pages
Mounting accessories	146 on
Centrifugal cooling fan	147
Attenuators	151
Gas warning systems, circuitry and control technology	152 on

\* Type assignment see table, last column

Type	Ref. No.	R.P.M.	Air flow volume (FID)	Motor power. (nominal)	Voltage	Current at full load	Pitch angle	Wiring diagram	Max. air flow temp. <sup>1)</sup>	Dim. B Motor protrusion	Nominal weight (net)	Pole switch surface mounted		Anti vibration mounts (nominal size)			
												Type	Ref.No.	Type	Ref.No.	Type	Ref.No.
<b>F600 3 Phase motor, 50 Hz, protection to IP 54</b>																	
B AVD 1250/4-20 F600	2893	1470	92320	30	400	56,20	20	776	40 / 600	-	595		SDD 8	1930	SDZ 8	1931	
B AVD 1250/4-25 F600	2894	1475	108330	37	400	66,60	25	776	40 / 600	-	715		SDD 8	1930	SDZ 8	1931	
B AVD 1250/4-30 F600	2895	1475	123000	45	400	80,70	30	776	40 / 600	-	736		SDD 8	1930	SDZ 8	1931	
B AVD 1250/4-35 F600	2896	1480	135830	55	400	95,20	35	776	40 / 600	-	850		SDD 8	1930	SDZ 8	1931	
<b>F600 2 speed motor, pole-switching (Dahlander winding Y/Y), 400 V / 3 ph. / 50 Hz, protection to IP 54</b>																	
B AVD 1250/8/4-20 F600	2897	735/1480	46160/92950	6,5/28,0	400	18,0/52,0	20	471	40 / 600	-	608	PDA 63	1283	SDD 8	1930	SDZ 8	1931
B AVD 1250/8/4-25 F600	2898	740/1485	54350/109060	9,2/37,0	400	25,4/74,2	25	471	40 / 600	-	733	PDA 115	1352	SDD 8	1930	SDZ 8	1931
B AVD 1250/8/4-30 F600	2899	740/1480	61710/123420	11,0/44,0	400	27,2/80,2	30	471	40 / 600	-	798	PDA 115	1352	SDD 8	1930	SDZ 8	1931
B AVD 1250/8/4-35 F600	2900	735/1480	67450/135830	14,7/55,0	400	36,5/100	35	471	40 / 600	-	823	PDA 115	1352	SDD 8	1930	SDZ 8	1931

<sup>1)</sup> During ventilation / smoke extraction (nonrecurring 120 min.).