

CI-CO LP



Low profile, centrifugal induction jet fans



JET FANS with a low profile for extracting air, air pollutants and CO in car parks and confined spaces.

Fan:

- Galvanised sheet steel casing.
- Impeller with high performance reaction blades.
- Access hatches for cleaning and maintenance.
- Support template for fast, easy mounting.

• **CI CO LP/AC:**

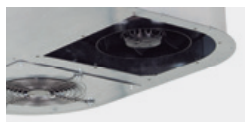
- 108-132V 60Hz AC motor.
- Built-in thermal protector.
- IP-54 protection.
- 220-230V 50/60Hz EC motor.
- Built-in thermal protector.
- IP-54 protection.
- Maximum temperature of air to be carried -20°C+60°C.

Motor:

- **CI CO LP/EC:**
- 200-277V 50/60Hz EC motor.
- Built-in thermal protector.
- IP-54 protection.

Finish:

- Anti-corrosive finish on galvanised sheet steel.



Maintenance hatch



Support template

Order code



Technical characteristics

Model	Speed (r/min)	Maximum admissible current (A)	Supply voltage/ frequency	Max. flow rate (m ³ /h)	Thrust (N)	Maximum electric power (W)	Sound pressure level (dBA)*	Weight (kg)	According to ErP
CI-CO LP/EC	2450	1.84	200-277V 50/60Hz	2782	13	230	69	20	2018
CI-CO LP/AC 220V	2600	2.14	220/230 50/60Hz	2520	11	490	68	20	2018
CI-CO LP/AC 110V	2620	4.10	108-132V 60Hz	2870	13	460	69	20	2018

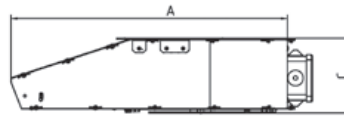
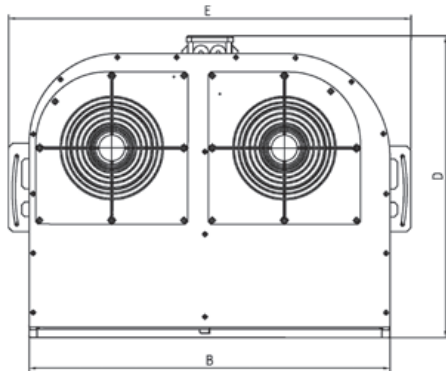
*irradiated sound level at 3m



Erp. (Energy Related Products)

Information on Directive 2009/125/EC can be downloaded from the SODECA website or the QuickFan selector programme

Dimensions mm

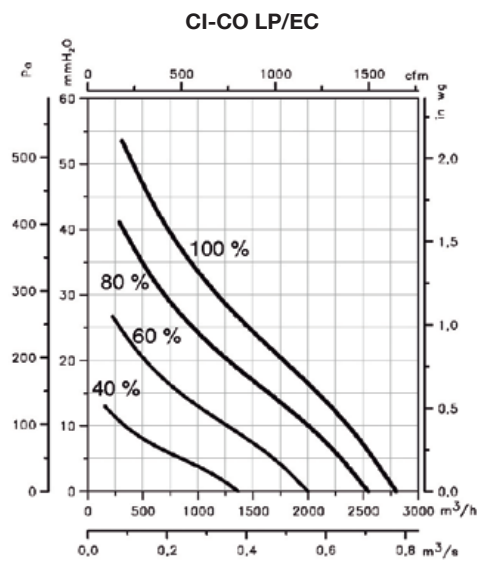
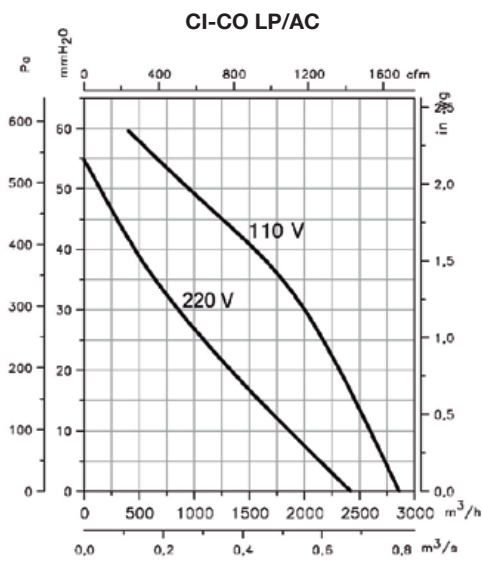


Model	A	B	C	D	E
CI-CO LP	535	700	145	584	781

Characteristic curves

Q= Flow rate in m³/h and m³/s.

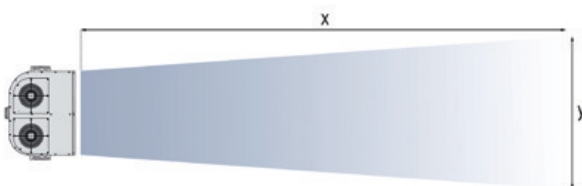
Pe= Static pressure in mmH₂O, Pa and inwg.



Accessories



Blade



	CI-CO/LP EC	CI-CO/LP AC 110V	CI-CO/LP AC 220V
Speed (rpm)	2450	2600	2600
Impulse (N)	13	13	11
Air exhaust speed (m/s)	15	16	14
Air speed (m/s)	1	1	1
Maximum length x of blade (m)	20	21	18.5
Maximum length y of blade (m)	8.5	9	8